



US00D987596S

(12) **United States Design Patent**  
**Brown et al.**

(10) **Patent No.:** **US D987,596 S**

(45) **Date of Patent:** **\*\* May 30, 2023**

(54) **LOUDSPEAKER**

(71) Applicant: **Harman International Industries, Incorporated**, Northridge, CA (US)

(72) Inventors: **Larry Paul Brown**, Altadena, CA (US);  
**Mark Glazer**, Agoura Hills, CA (US);  
**James Garrett**, Simi Valley, CA (US)

(73) Assignee: **Harman International Industries, Incorporated**, Northridge, CA (US)

(\*\*) Term: **15 Years**

(21) Appl. No.: **29/783,100**

(22) Filed: **May 11, 2021**

**Related U.S. Application Data**

(62) Division of application No. 29/705,060, filed on Sep. 9, 2019, now Pat. No. Des. 924,836.

(51) **LOC (14) Cl.** ..... **14-01**

(52) **U.S. Cl.**  
USPC ..... **D14/204**

(58) **Field of Classification Search**  
USPC ..... D14/170–172, 188, 203.1, 203.3, 203.6,  
D14/204, 214, 216, 348  
CPC ... H04R 1/02; H04R 5/02; H04R 7/00; H04R  
7/02; H04R 9/06; H04R 2400/00  
See application file for complete search history.

(56) **References Cited**

**U.S. PATENT DOCUMENTS**

D265,822 S *	8/1982	Hartwein	.....	D14/211
D385,279 S	10/1997	Diute		
D486,474 S	2/2004	Allen		
D486,475 S	2/2004	Allen		
D672,751 S *	12/2012	Davies	.....	D14/215
D676,025 S *	2/2013	Davies	.....	D14/215
D678,246 S *	3/2013	Davies	.....	D14/215
D711,349 S	8/2014	Schmiedbauer et al.		

D712,377 S	9/2014	Delrue		
D738,352 S *	9/2015	Alexander	.....	D14/215
D758,992 S	6/2016	Garrett et al.		
D771,592 S	11/2016	Cloarec et al.		
D771,598 S	11/2016	Gattinger		
D773,389 S	12/2016	Miller et al.		
D777,146 S	1/2017	Cheng et al.		
D780,113 S	2/2017	Xianxi		
D783,574 S	4/2017	Garrett et al.		
D784,955 S *	4/2017	Warden	.....	D14/204
D805,499 S	12/2017	Crolla		
D839,852 S	2/2019	Garrett et al.		
D839,853 S	2/2019	Garrett et al.		
D883,984 S *	5/2020	Zhang	.....	D14/433

(Continued)

**OTHER PUBLICATIONS**

2018 Harman Revel F228Be Specification Sheet.  
(Continued)

*Primary Examiner* — Janice Patyk  
(74) *Attorney, Agent, or Firm* — Plumsea Law Group, LLC

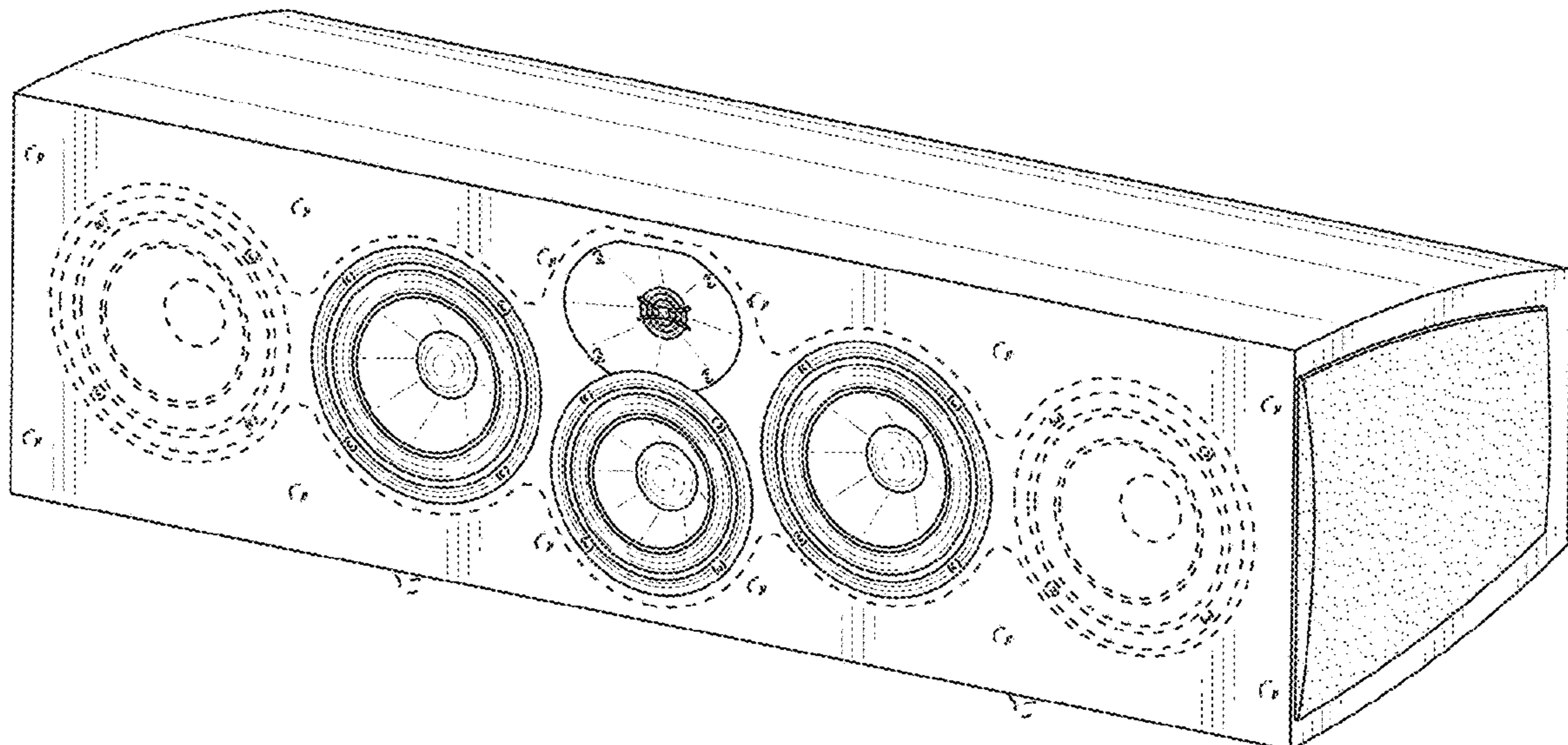
(57) **CLAIM**

The ornamental design for a loudspeaker, as shown and described.

**DESCRIPTION**

FIG. 1 is a top perspective view of a loudspeaker showing the new design;  
FIG. 2 is a front elevational view thereof;  
FIG. 3 is a rear elevational view thereof;  
FIG. 4 is a side elevational view thereof;  
FIG. 5 is an opposite side elevational view thereof;  
FIG. 6 is a top view thereof; and,  
FIG. 7 is a bottom view thereof.  
The broken lines in the figures illustrate the portions of the design that form no part of the claimed design.

**1 Claim, 7 Drawing Sheets**



(56)

**References Cited**

U.S. PATENT DOCUMENTS

D886,776 S \* 6/2020 Bunning ..... D14/204  
D905,660 S \* 12/2020 Koehn ..... D14/221  
D924,833 S \* 7/2021 Czaniecki ..... D14/204

OTHER PUBLICATIONS

2017 Harman Revel PerformaBe F228Be and M126Be Loud-  
speaker Owner's Manual.  
Design U.S. Appl. No. 29/513,607, filed Jan. 2, 2015.

\* cited by examiner

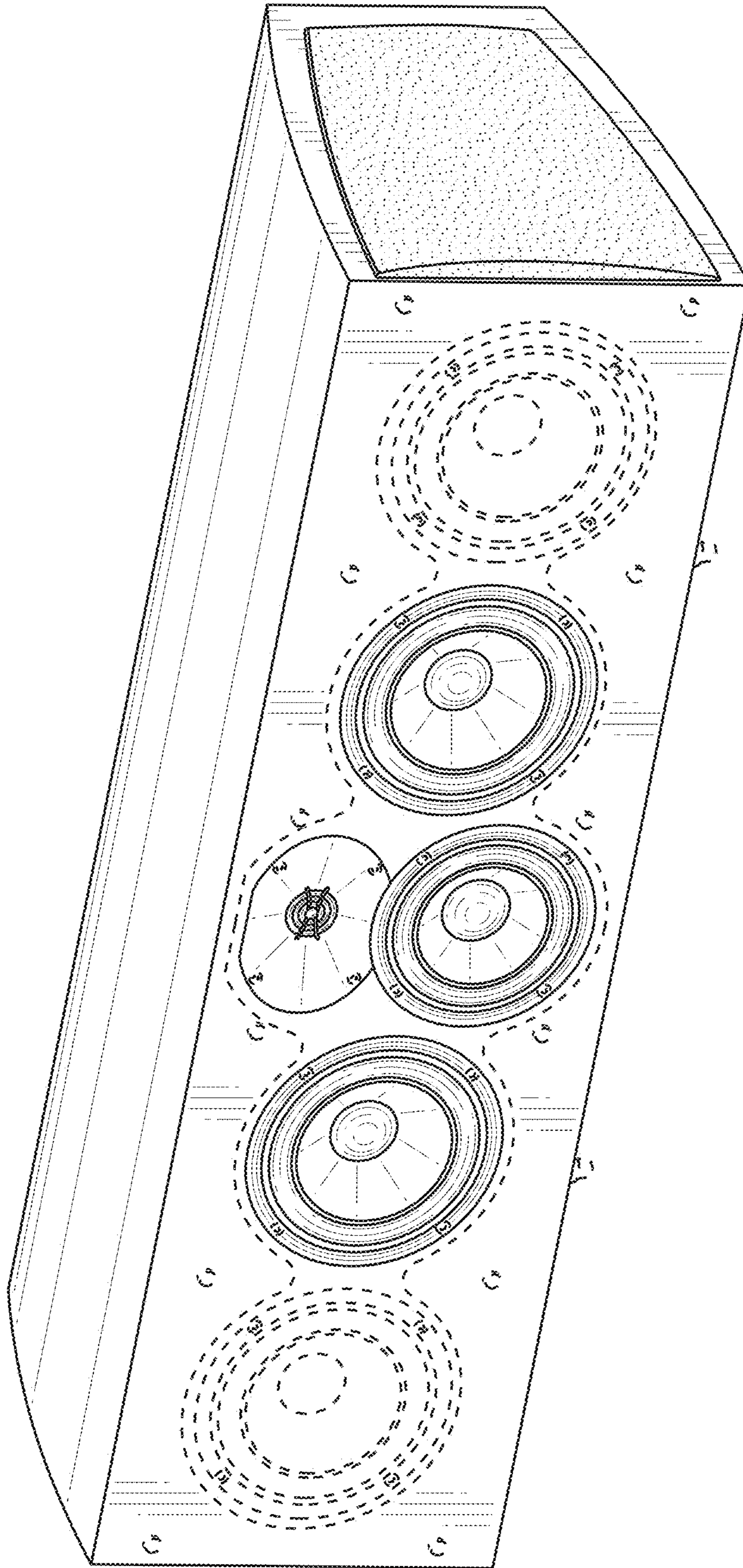
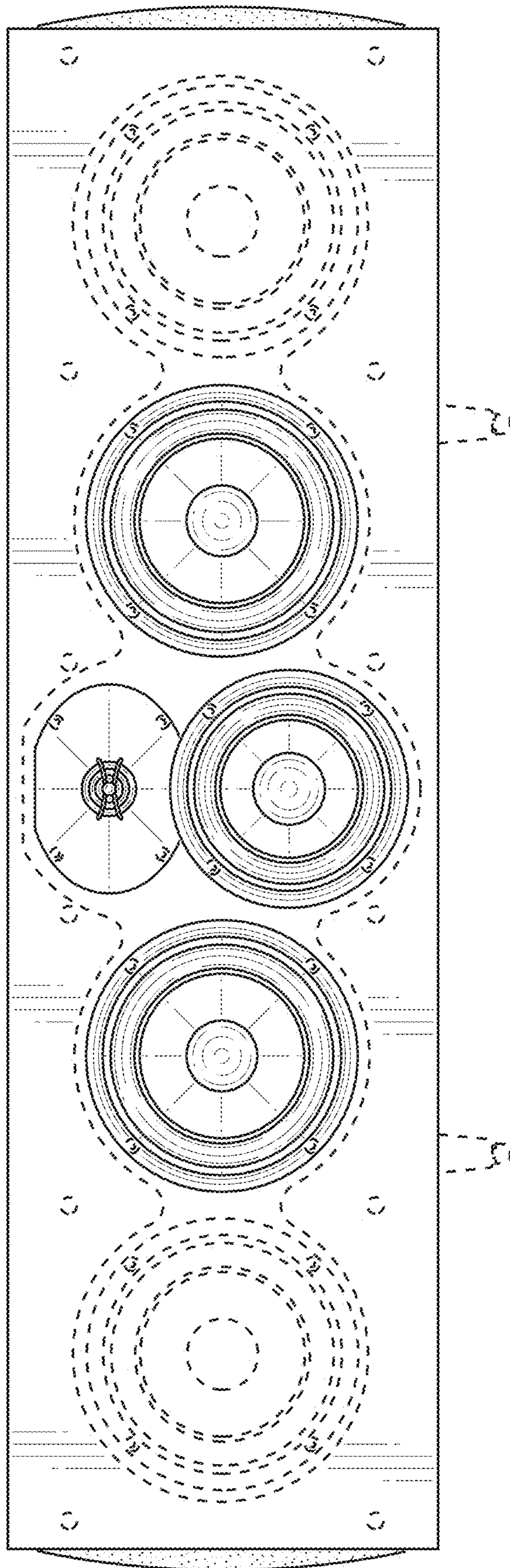
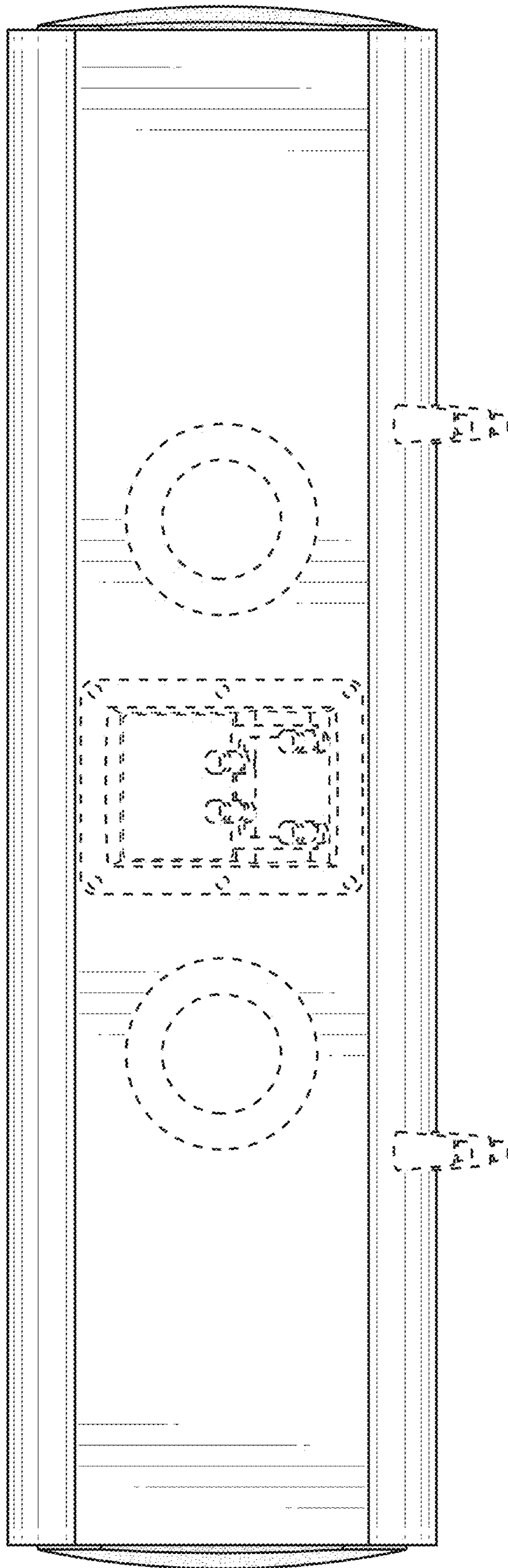


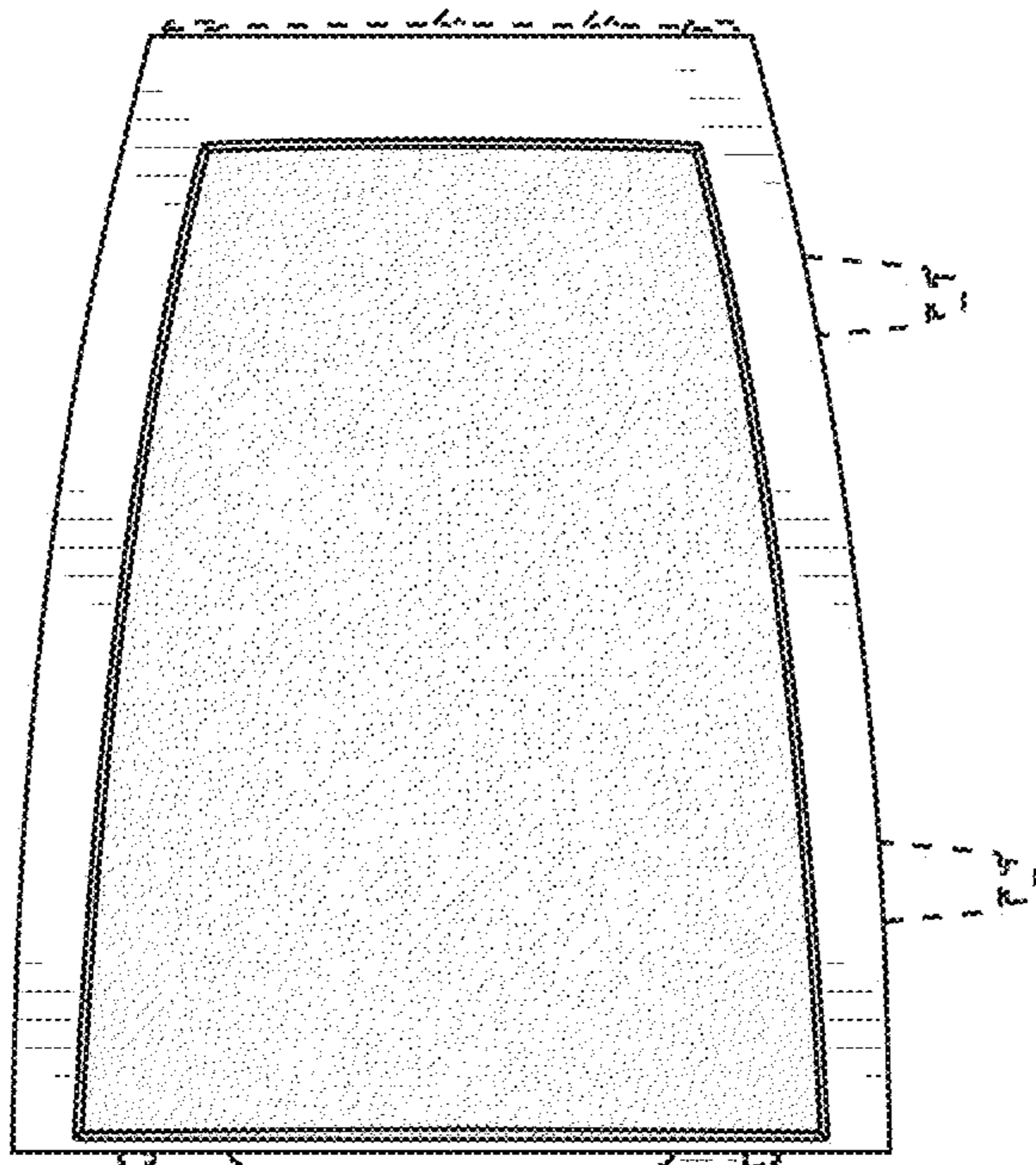
FIG. 1



**FIG. 2**



**FIG. 3**



**FIG. 4**

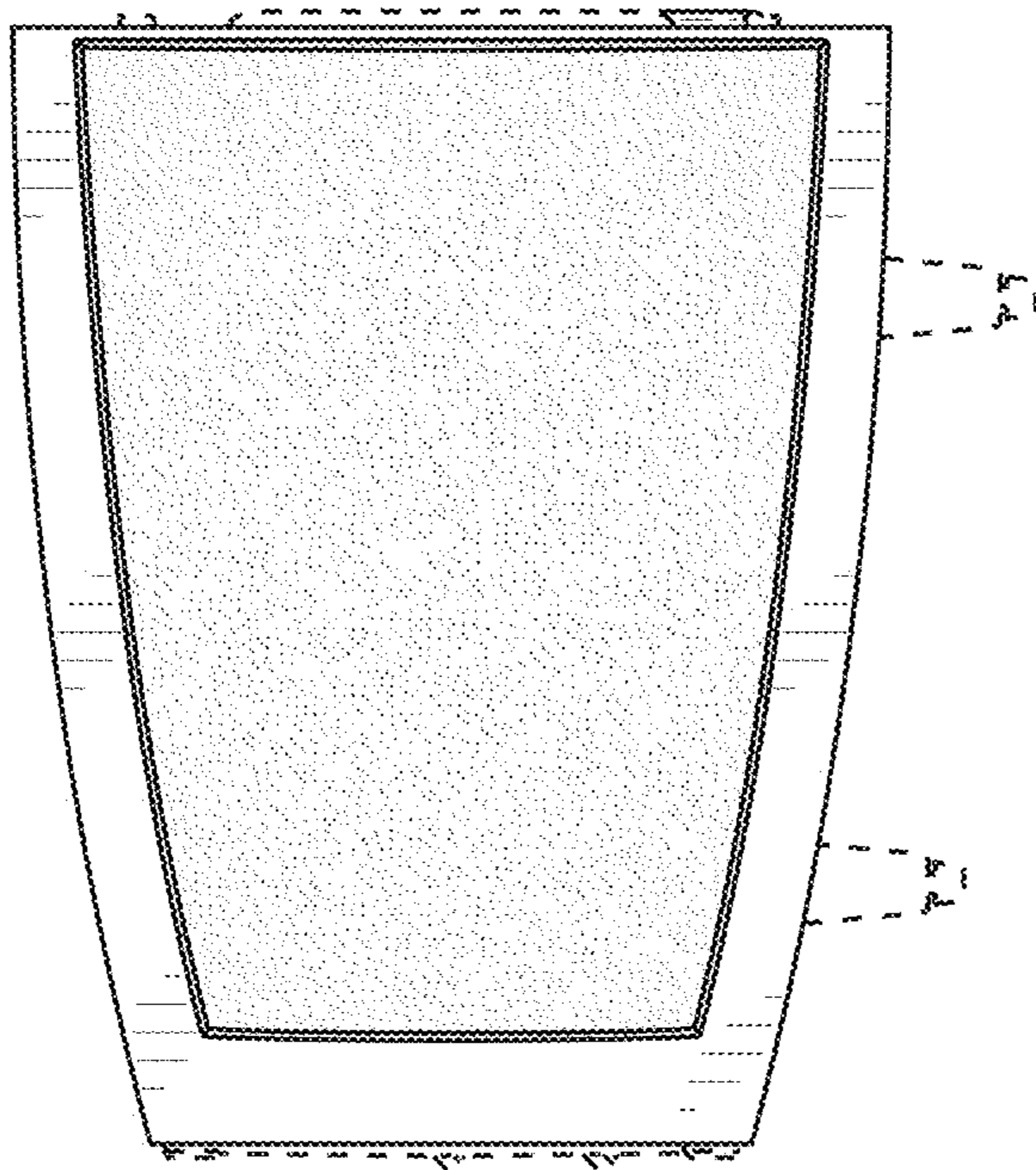
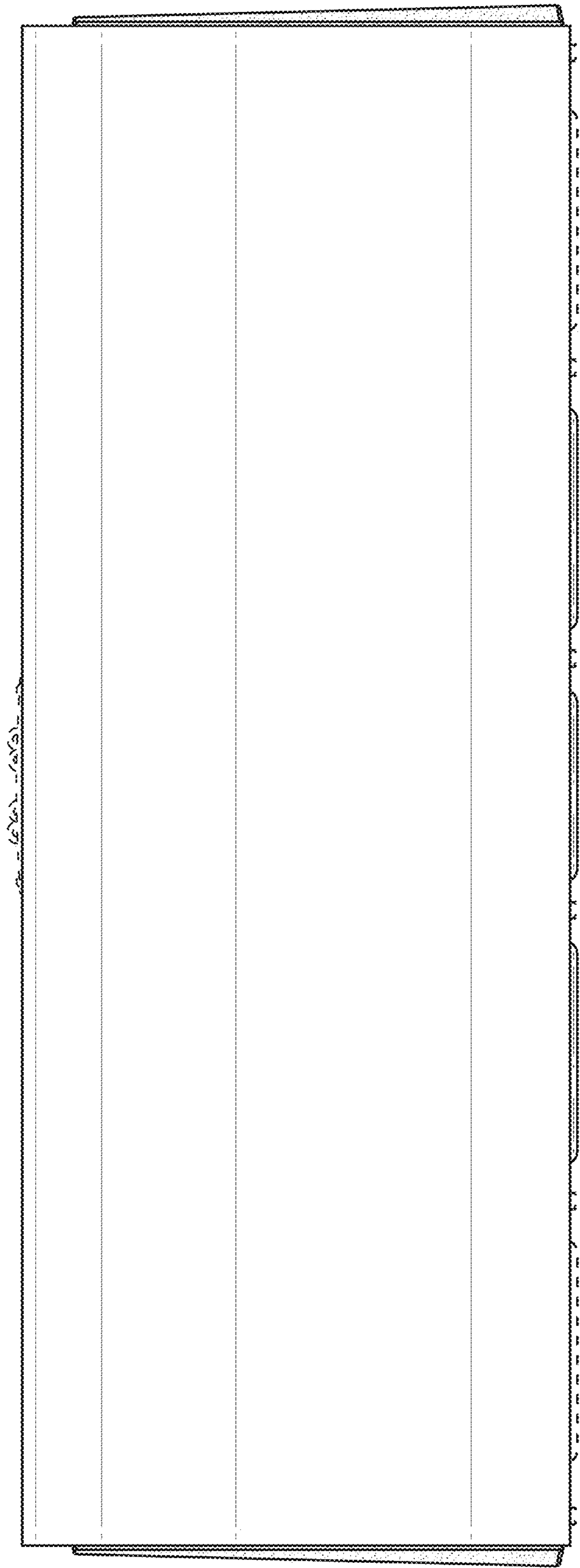
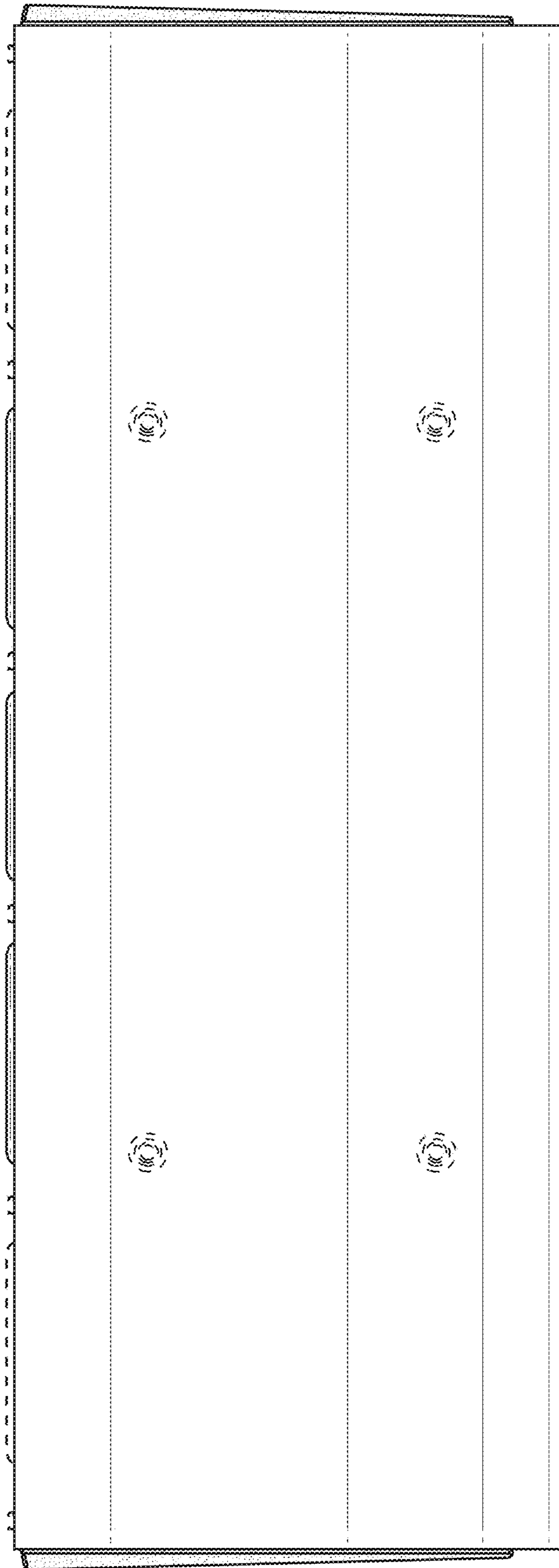


FIG. 5



**FIG. 6**





**FIG. 7**