



US00D987592S

(12) **United States Design Patent** (10) **Patent No.:** **US D987,592 S**
Choi et al. (45) **Date of Patent:** **** May 30, 2023**

(54) **ELECTRONIC DISPLAY UNIT**
(71) Applicant: **LG ELECTRONICS INC.**, Seoul (KR)
(72) Inventors: **Hongyoul Choi**, Seoul (KR); **Seungdon Lee**, Seoul (KR)
(73) Assignee: **LG ELECTRONICS INC.**, Seoul (KR)
(**) Term: **15 Years**
(21) Appl. No.: **35/513,433**
(22) Filed: **Jul. 26, 2021**
(80) **Hague Agreement Data**
Int. Filing Date: **Jul. 26, 2021**
Int. Reg. No.: **DM/216201**
Int. Reg. Date: **Jul. 26, 2021**
Int. Reg. Pub. Date: **Jan. 28, 2022**

(30) **Foreign Application Priority Data**
Feb. 23, 2021 (KR) 30-2021-0009054
(51) **LOC (14) Cl.** **14-03**
(52) **U.S. Cl.**
USPC **D14/134**
(58) **Field of Classification Search**
USPC D14/134, 336, 448, 204, 209.1, 211, D14/224-225, 227-228, 239, 371-374; D10/126; D8/355, 363, 373, 349; D6/672, 682, 300-314; D13/107, D13/101-103, 118-119, 184, 199; D16/101, 216-217; D12/106; D24/103, D24/138, 140-144
CPC .. H04R 9/06; H04R 1/24; H04R 11/02; G06F 1/20; G06F 1/1628; G06F 1/1626; G06F 1/1679; H04B 1/3888; H04M 1/0202;
(Continued)

(56) **References Cited**
U.S. PATENT DOCUMENTS
D335,295 S * 5/1993 Rutherford D15/199
D348,271 S * 6/1994 Mori D18/34.8
(Continued)

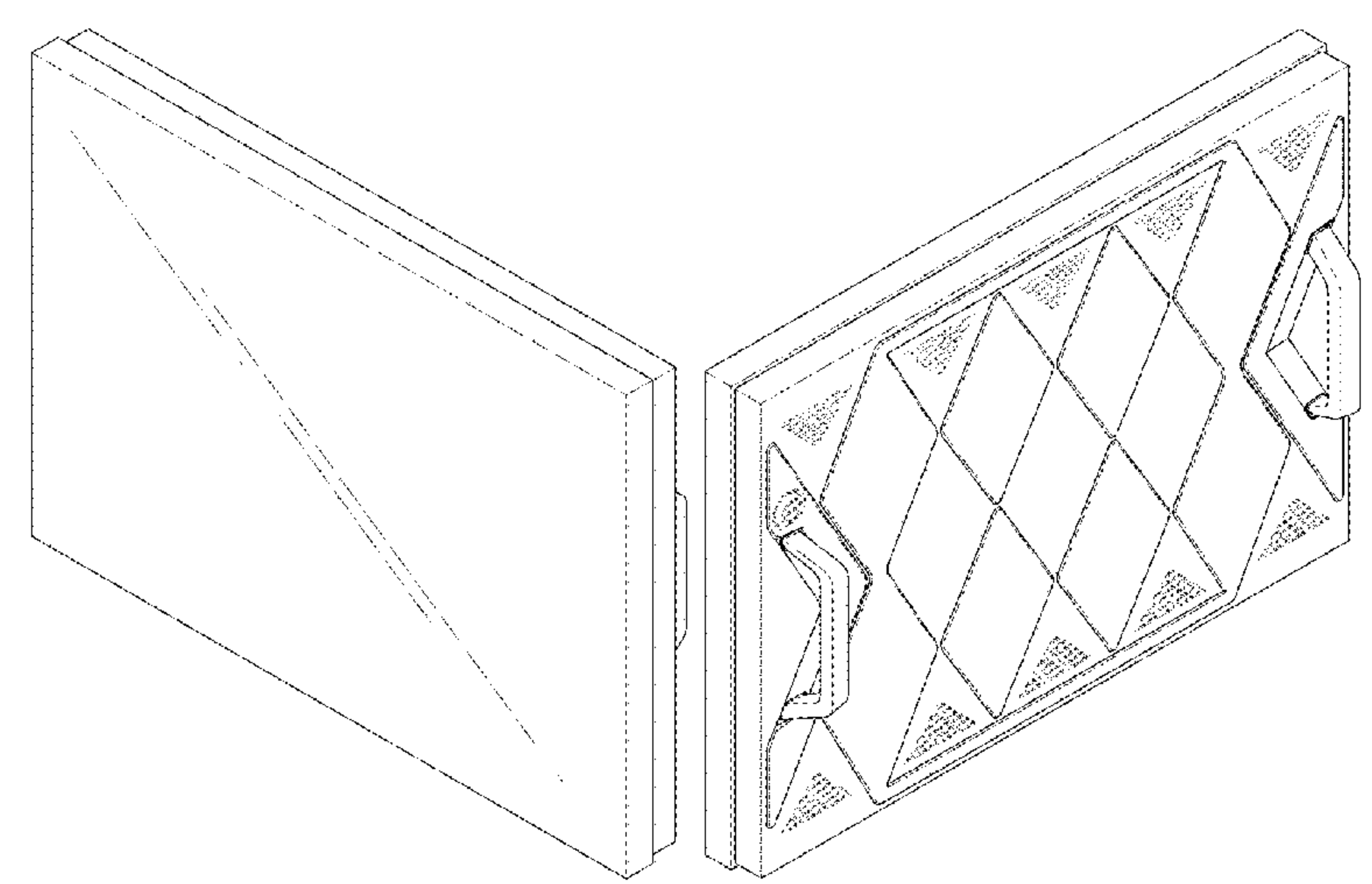
FOREIGN PATENT DOCUMENTS
CN 306704396 * 7/2021
CN 307326337 * 5/2022
(Continued)

OTHER PUBLICATIONS
Sharp Microelectronics, "LS07B7DH01A" available at digikey.com, date published Jun. 21, 2010, site visited Nov. 3, 2022, available at URL: https://media.digikey.com/pdf/Data%20Sheets/Sharp%20PDFs/LS027B7DH01_Rev_Jun_2010.pdf (Year: 2010).*
(Continued)

Primary Examiner — Daniel J Domino
Assistant Examiner — Samina Vieth
(74) *Attorney, Agent, or Firm* — Birch, Stewart, Kolasch & Birch, LLP

(57) **CLAIM**
The ornamental design for an electronic display unit, as shown and described.

DESCRIPTION
1. Electronic display unit
1.1 : Perspective
1.2 : Rear perspective view
1.3 : Front
1.4 : Back
1.5 : Left
1.6 : Right
1.7 : Top
1.8 : Bottom
(Continued)



The broken lines indicate portions of the article that form no part of the claimed design.

1 Claim, 8 Drawing Sheets

(58) Field of Classification Search

CPC ... H04M 1/725; H05K 5/0017; H05K 5/0213; A47B 23/044

See application file for complete search history.

(56)

References Cited

U.S. PATENT DOCUMENTS

D363,476 S * 10/1995 Oyama D14/374
D572,675 S * 7/2008 Qiu D14/126
D582,917 S * 12/2008 Wada D14/371
D609,658 S * 2/2010 Kim D14/126
D628,199 S * 11/2010 Yukikado D14/374
D633,454 S * 3/2011 Mitsuhashi D14/126
D638,015 S * 5/2011 Chong D14/383
D662,094 S * 6/2012 Mack D14/371
D729,767 S * 5/2015 Lee D14/221
D802,944 S * 11/2017 Palfreeman D6/308

D808,897 S * 1/2018 Mascolo D13/102
D812,027 S * 3/2018 Debaigue D14/126
D834,012 S * 11/2018 Bolmstrand D14/336
D850,441 S * 6/2019 Lee D14/336
D887,409 S * 6/2020 Chu D14/376
D902,926 S * 11/2020 Andersson D14/371
D905,974 S * 12/2020 Chen D14/341
D930,630 S * 9/2021 Lee D14/127
D947,148 S * 3/2022 Lee A63F 9/06
D947,149 S * 3/2022 Hwang A63F 9/06

FOREIGN PATENT DOCUMENTS

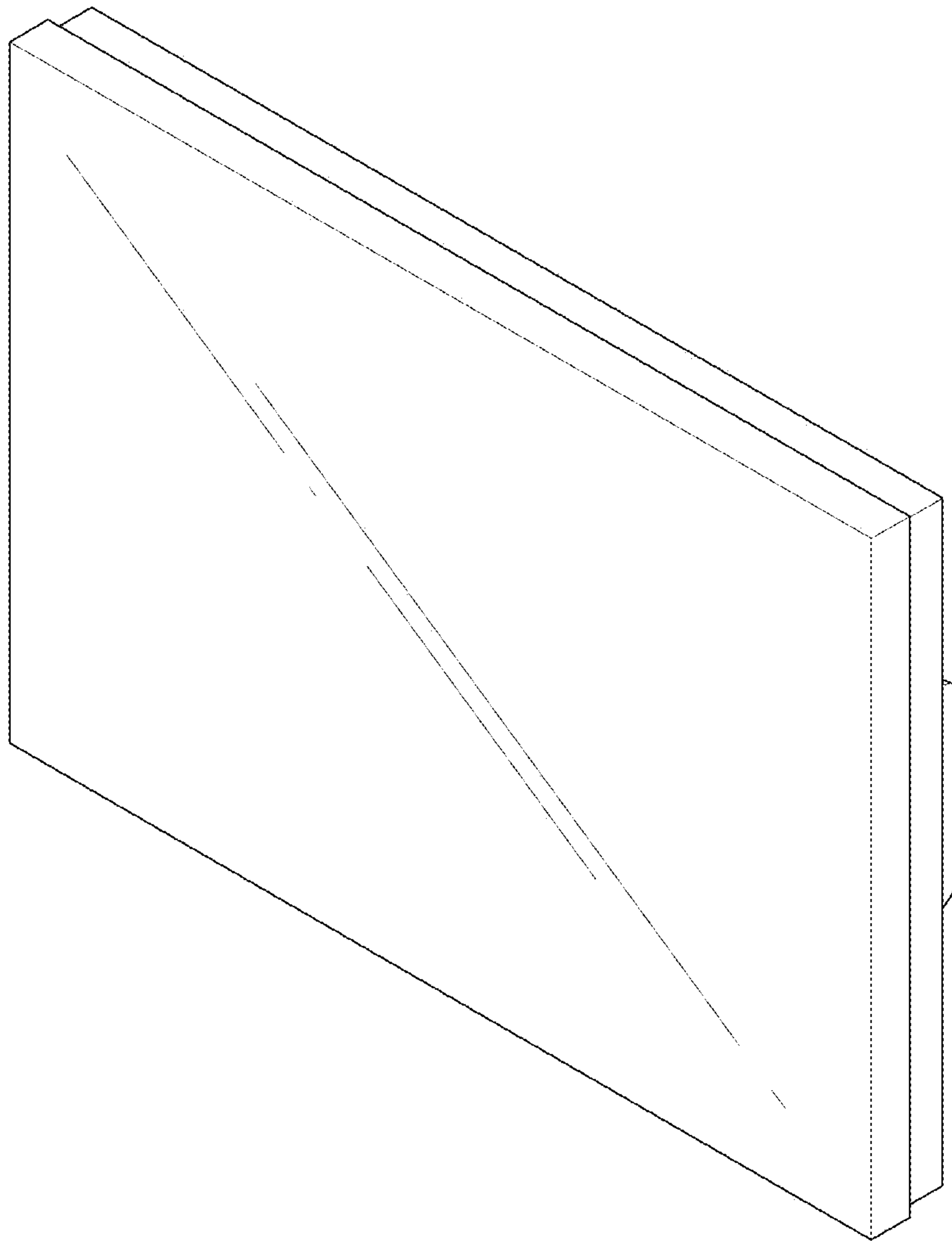
CN 307549513 * 9/2022
CN 307593359 * 10/2022

OTHER PUBLICATIONS

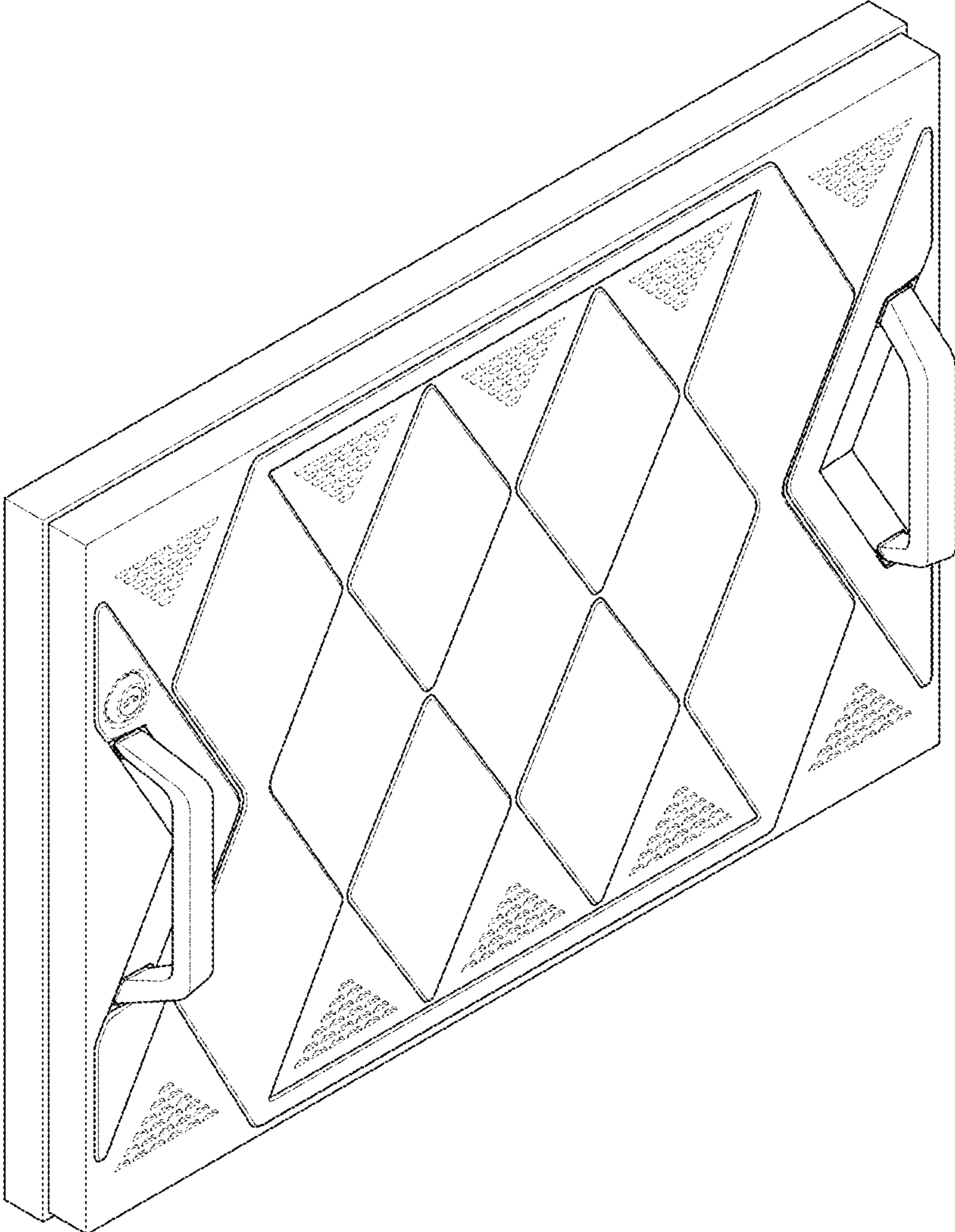
Meetuled, "p5 LED Sign RGB Full Color Indoor LED . . . ", available at amazon.com, date first available Apr. 7, 2022, site visited Nov. 3, 2022, available at URL: <https://a.co/d/d9ZQEzk> (Year: 2022).*

* cited by examiner

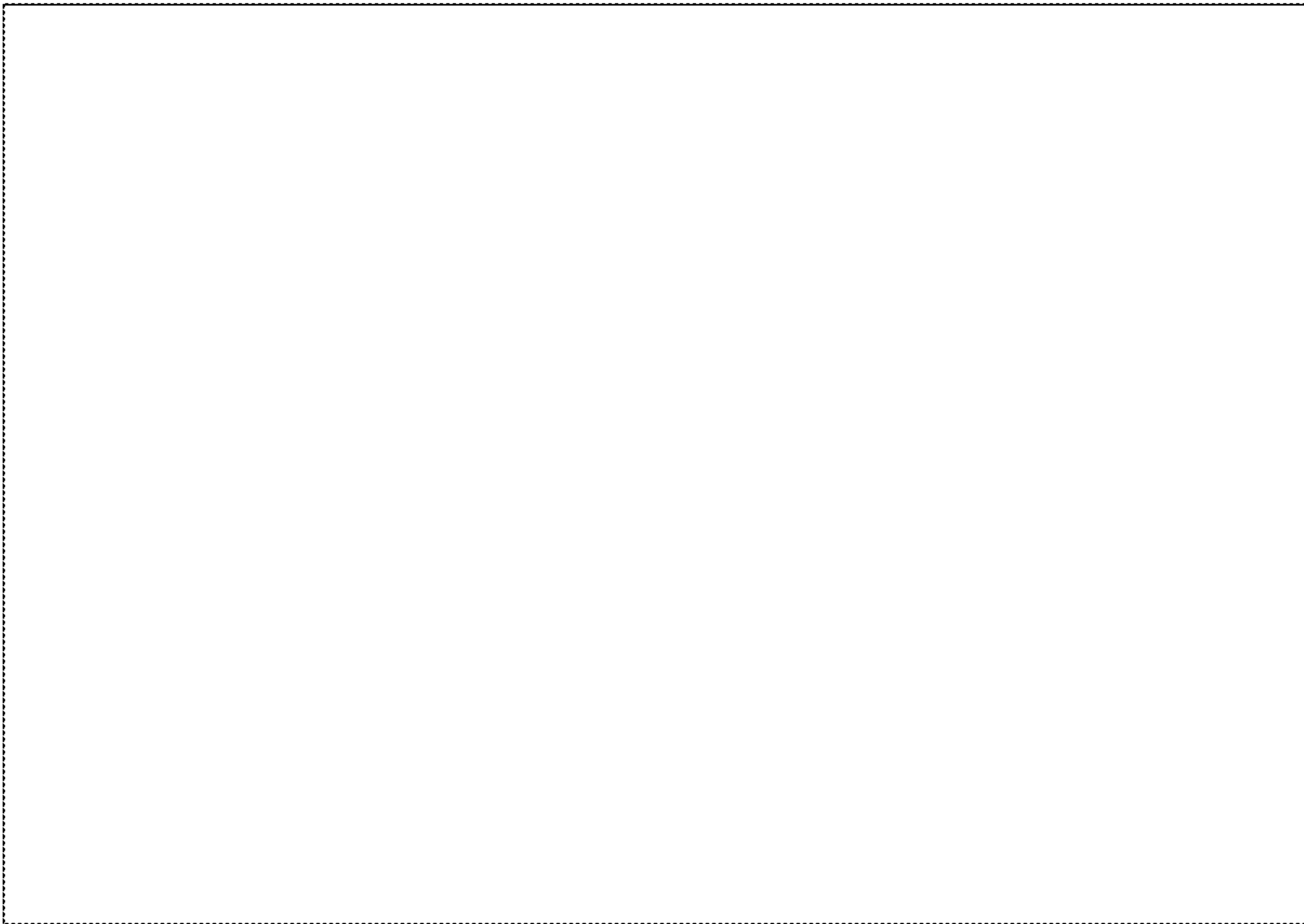
1.1



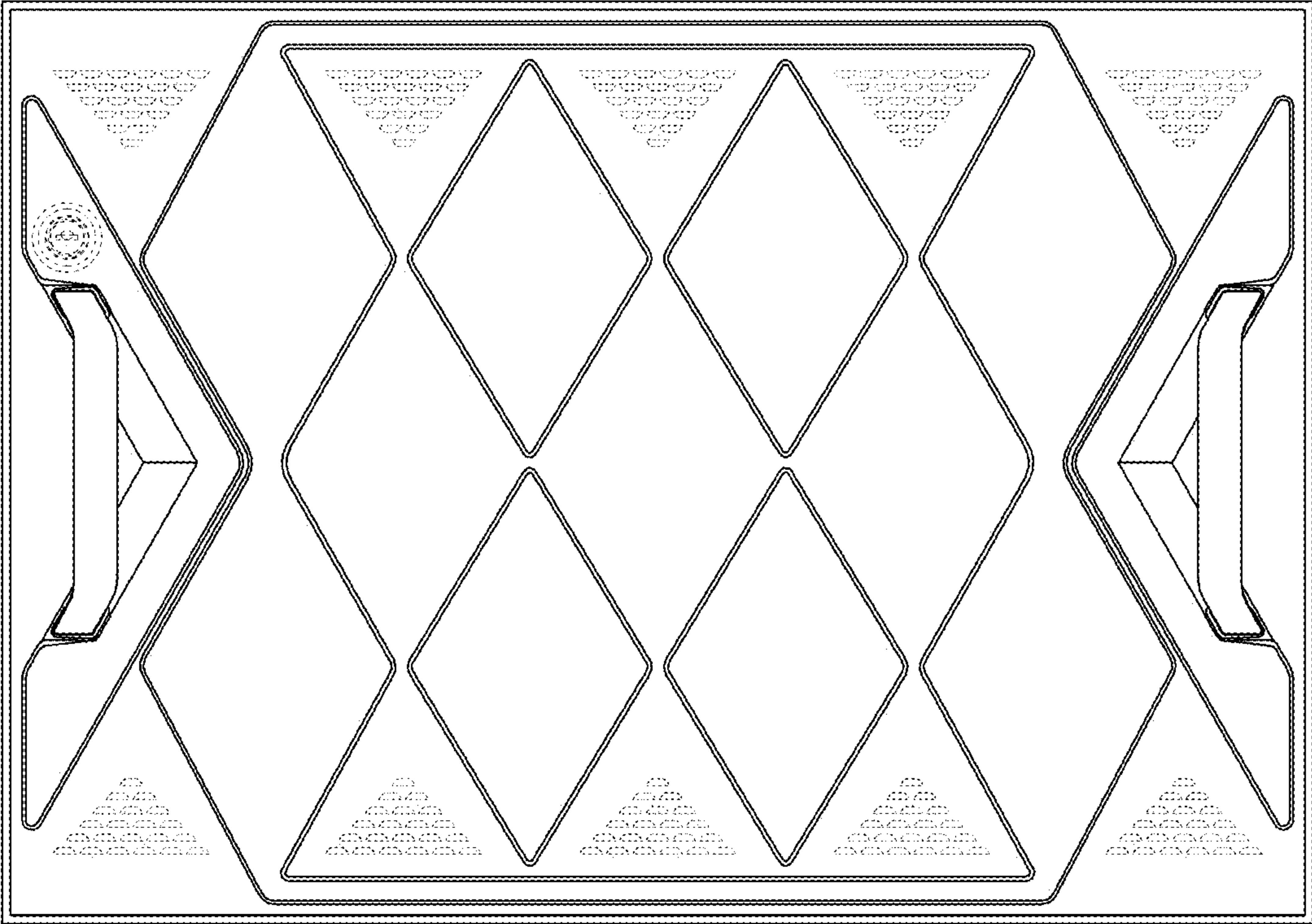
1.2



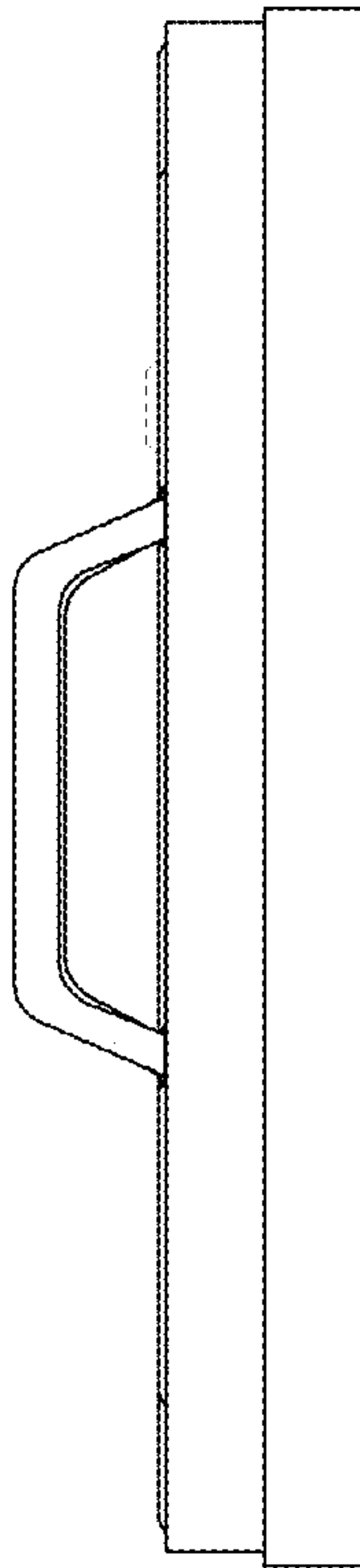
1.3



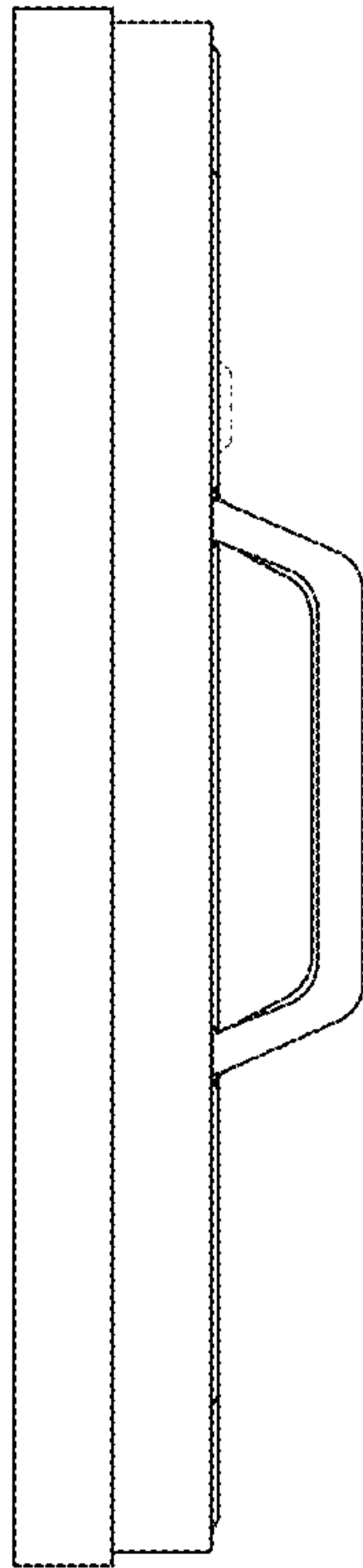
1.4



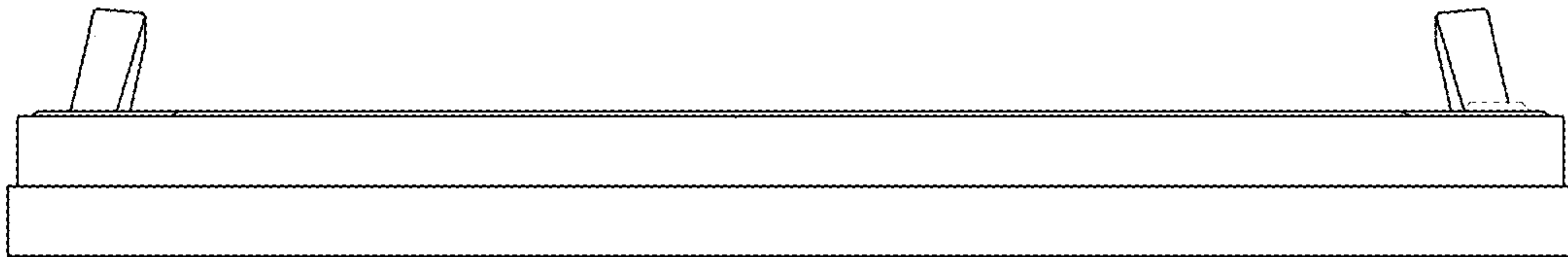
1.5



1.6



1.7



1.8

