



US00D987591S

(12) **United States Design Patent**
Li et al.

(10) **Patent No.:** **US D987,591 S**

(45) **Date of Patent:** **** May 30, 2023**

- (54) **AUDIO-VIDEO CONFERENCING DEVICE**
- (71) Applicant: **BEIJING XIAOMI MOBILE SOFTWARE CO., LTD.**, Beijing (CN)
- (72) Inventors: **Xuxu Li**, Beijing (CN); **Ningning Li**, Beijing (CN); **Tao Wang**, Beijing (CN)
- (73) Assignee: **BEIJING XIAOMI MOBILE SOFTWARE CO., LTD.**, Beijing (CN)

- D662,532 S * 6/2012 Chang D16/202
- D674,430 S * 1/2013 Inoue D16/218
- D680,569 S * 4/2013 Lee D16/202
- D747,386 S * 1/2016 Li D16/208
- D761,912 S * 7/2016 Zenoff D16/208

(Continued)

FOREIGN PATENT DOCUMENTS

- CN 305260733 S 7/2019
- CN 305759505 S 5/2020

(Continued)

(**) Term: **15 Years**

(21) Appl. No.: **35/512,502**

(22) Filed: **May 27, 2021**

(80) **Hague Agreement Data**

Int. Filing Date: **May 27, 2021**
 Int. Reg. No.: **DM/216060**
 Int. Reg. Date: **May 27, 2021**
 Int. Reg. Pub. Date: **Sep. 3, 2021**

(30) **Foreign Application Priority Data**

Nov. 30, 2020 (CN) 202030730973.7

(51) **LOC (14) Cl.** **14-03**

(52) **U.S. Cl.**
USPC **D14/130; D16/202**

(58) **Field of Classification Search**
 USPC D14/125, 129, 130, 131, 168, 172, 307;
 D16/202, 203, 208, 242
 CPC G06T 1/0007; H04N 21/4223
 See application file for complete search history.

(56) **References Cited**

U.S. PATENT DOCUMENTS

- D502,197 S * 2/2005 Imai D16/202
- D629,031 S * 12/2010 Su D16/202
- D641,388 S * 7/2011 Shih D16/202
- D650,408 S * 12/2011 Kim D16/202

OTHER PUBLICATIONS

Introducing Zoom Rooms Appliances, Which Further Simplify Zoom Rooms Installation, Use & Management, publication date Oct. 15, 2019, [online] URL: <https://blog.zoom.us/introducing-zoom-rooms-appliances/> (Year: 2019).*

(Continued)

Primary Examiner — L. A. Grabenstetter
 (74) *Attorney, Agent, or Firm* — Syncoda LLC; Feng Ma

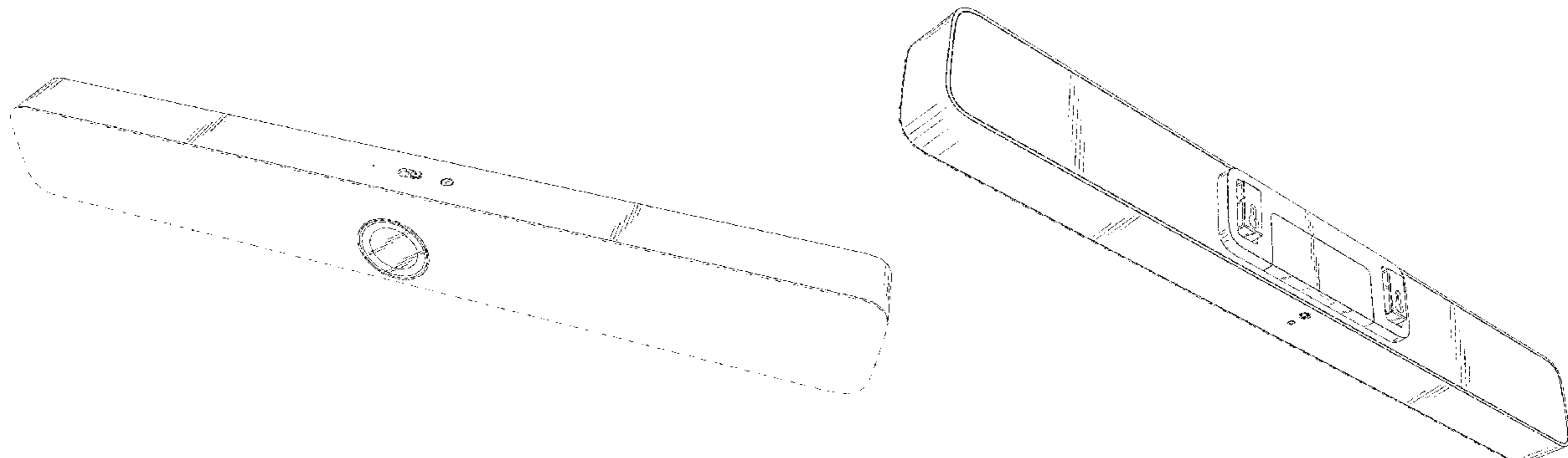
(57) **CLAIM**

The ornamental design for an audio-video conferencing device, as shown and described.

DESCRIPTION

1. Audio-video conferencing device
1.1 : Front
1.2 : Back
1.3 : Left
1.4 : Right
1.5 : Top
1.6 : Bottom
1.7 : Front perspective
1.8 : Back perspective
 The broken lines, and unshaded surfaces bound on all sides by broken lines, represent portions of the audio-video conferencing device that form no part of the claimed design.

1 Claim, 8 Drawing Sheets



(56)

References Cited

U.S. PATENT DOCUMENTS

D820,894 S * 6/2018 Tang D16/202
D837,172 S * 1/2019 Haugen D14/126
D870,790 S * 12/2019 Depay D16/202
D905,778 S * 12/2020 Lenz D16/208
D924,299 S * 7/2021 Gartrell D16/202
D932,534 S * 10/2021 Su D14/125
D937,798 S * 12/2021 Bailey D16/208
D940,777 S * 1/2022 Gartrell D16/202
D946,545 S * 3/2022 Andresen D14/130
2012/0120236 A1 * 5/2012 Xiao H04N 5/2251
348/143

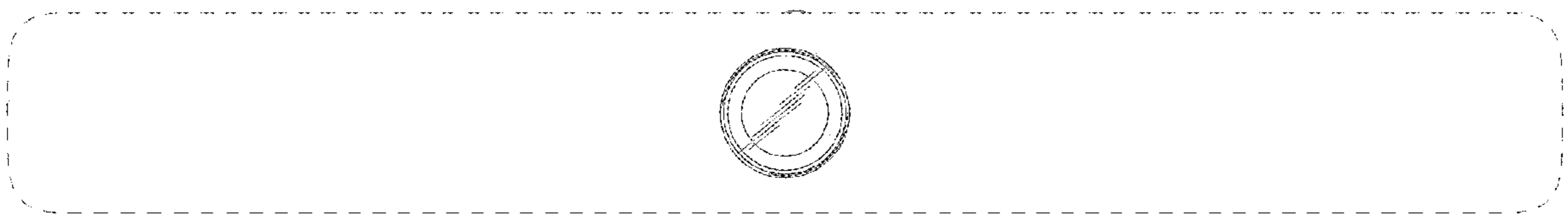
FOREIGN PATENT DOCUMENTS

CN 306040733 S 9/2020
CN 306066059 S 9/2020
JP D1423615 S 9/2011

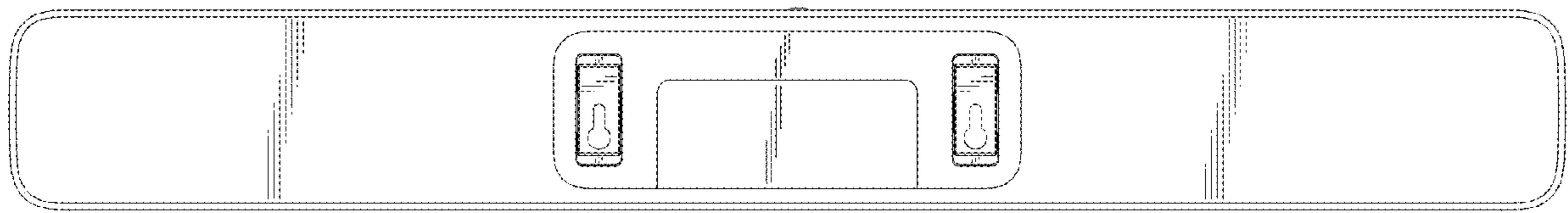
OTHER PUBLICATIONS

Xiaomi comes with a new video conferencing speaker. It has a 4K camera and an 8-core processor, publication date Jun. 10, 2021, [online] URL: <https://xiaomiplanets.com/Xiaomi-audio-and-video-conference-speaker/> (Year: 2021).*

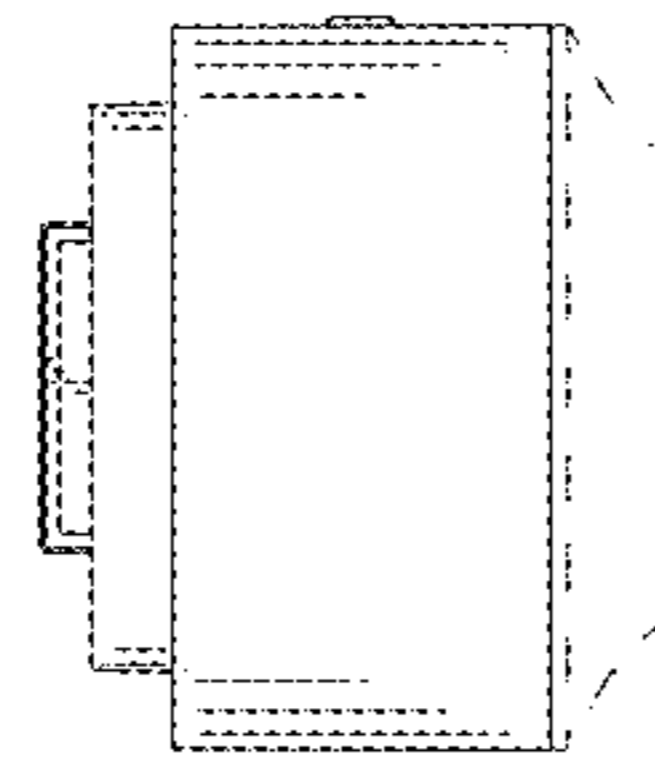
* cited by examiner



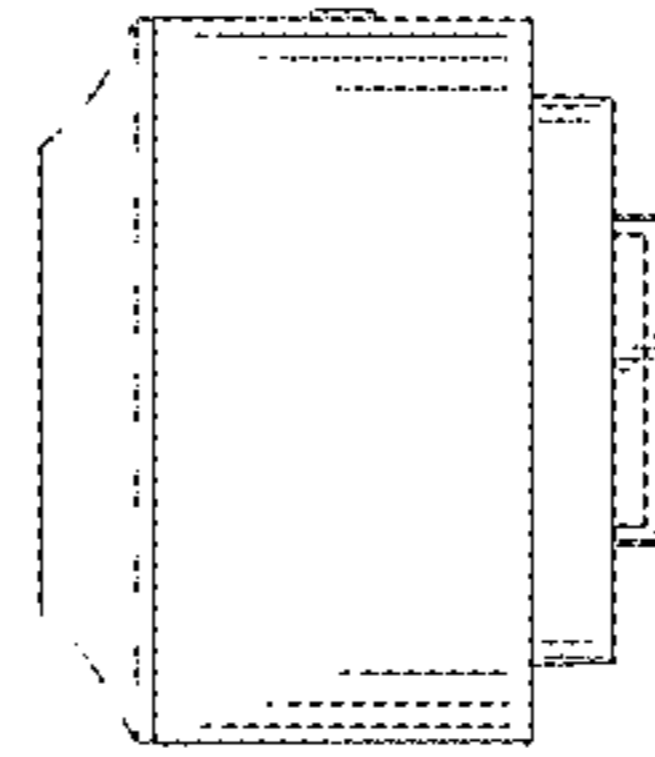
1.1



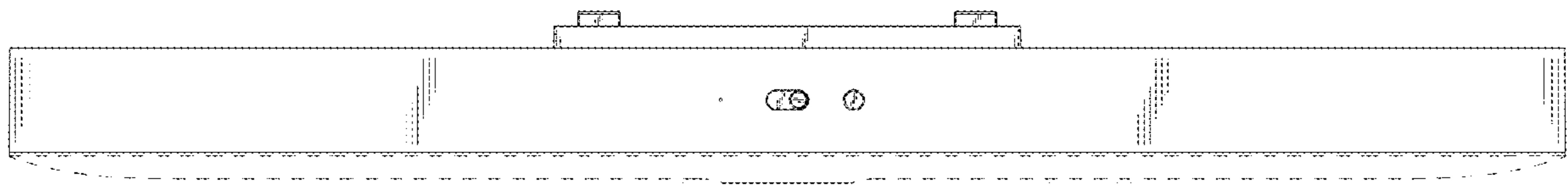
1.2



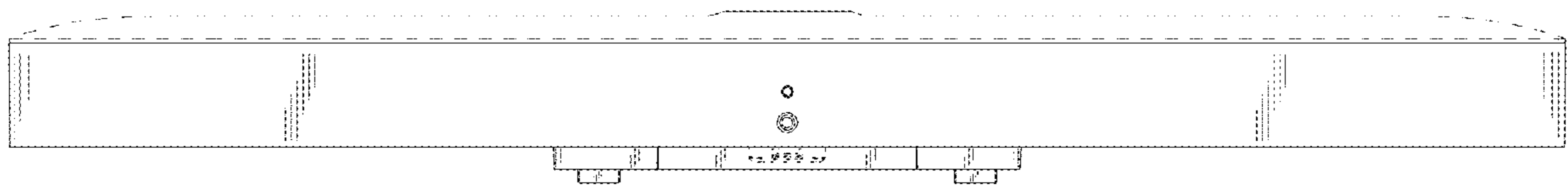
1.3



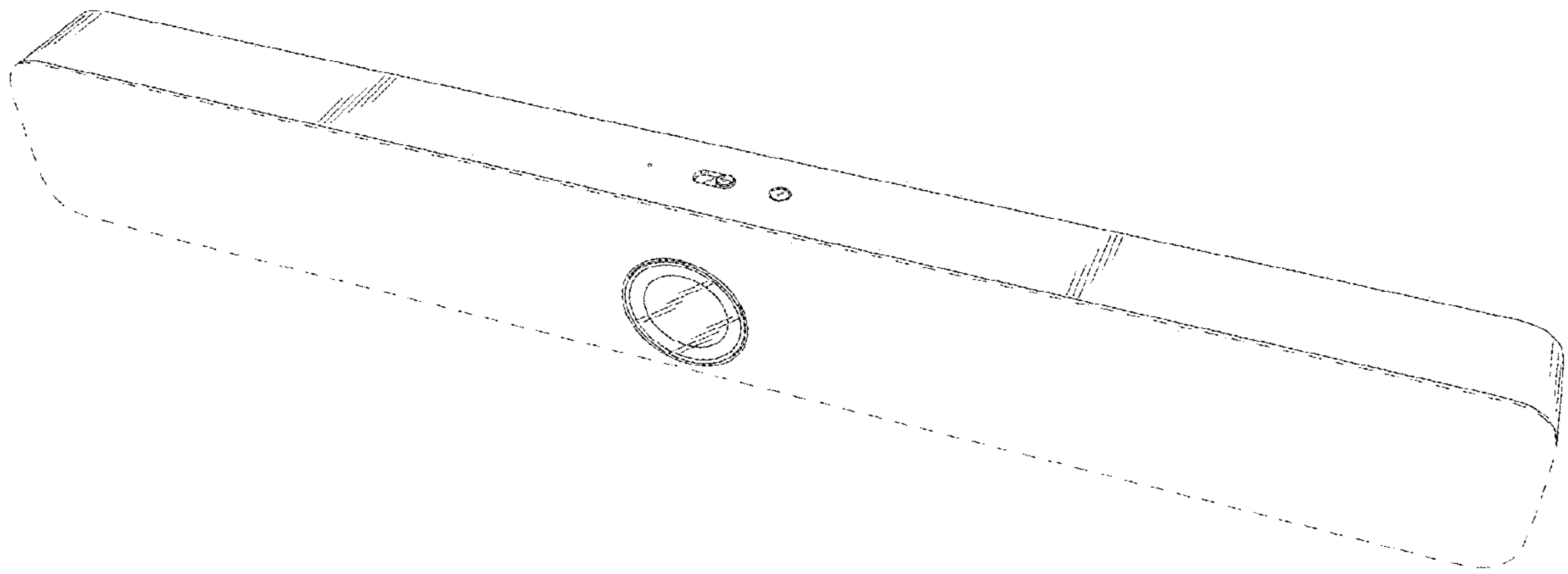
1.4



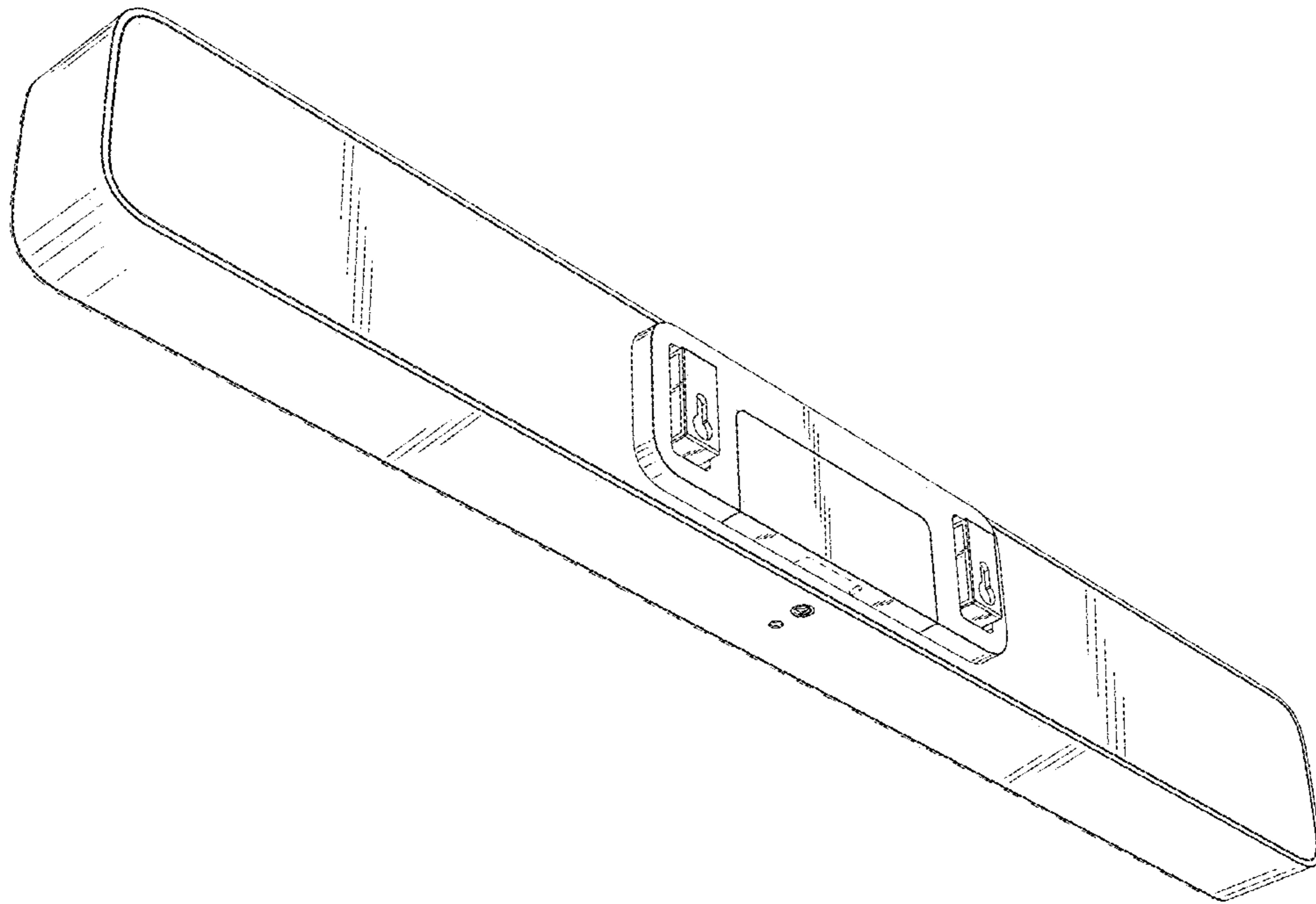
1.5



1.6



1.7



1.8