



US00D987590S

(12) **United States Design Patent**
Silverstein et al.

(10) **Patent No.:** **US D987,590 S**
(45) **Date of Patent:** **** May 30, 2023**

- (54) **LUMINAIRE CONTROLLER**
- (71) Applicant: **Liteline Corporation**, Richmond Hill (CA)
- (72) Inventors: **Daniel Silverstein**, Toronto (CA); **Mircea Porumbaceanu**, Markham (CA); **Zhang ZhangHai**, Shenzhen (CN); **Zhong DeJian**, Shenzhen (CN)
- (73) Assignee: **Liteline Corporation**, Richmond Hill (CA)
- (**) Term: **15 Years**
- (21) Appl. No.: **29/781,863**
- (22) Filed: **Apr. 30, 2021**
- (51) **LOC (14) Cl.** **13-03**
- (52) **U.S. Cl.**
USPC **D13/162**; D13/169
- (58) **Field of Classification Search**
USPC D13/162, 164, 169, 171
CPC H01H 3/02; H01H 3/0213; H01H 3/04; H01H 3/06; H01H 3/08; H01H 3/12; H01H 3/122; H01H 9/02; H01H 9/0264; H01H 9/027; H01H 9/16; H01H 9/18; H01H 9/181; H01H 9/182; H01H 13/023; H01H 13/04; H01H 13/06; H01H 13/14; H01H 23/025; H01H 23/02; H01H 23/04; H01H 23/06; H01H 233/08; H05B 39/02; H05B 39/04; H05B 39/085; H05B 39/086; H05B 39/088; H05B 47/19
See application file for complete search history.

- 8,003,904 B2 * 8/2011 Wu H01H 3/161 200/18
- D657,320 S * 4/2012 Hoffman D13/174
- 9,398,667 B2 * 7/2016 Kevelos H05B 47/10
- 9,431,192 B2 * 8/2016 Kamor H01H 23/145
- 10,652,968 B2 * 5/2020 Zheng H05B 47/10
- D942,956 S * 2/2022 Kreschollek D13/162

(Continued)

OTHER PUBLICATIONS

Lutron Maestro Dual Digital Dimmer and Switch, Sep. 4, 2009; 2pgs.; <https://www.amazon.com/Lutron-MA-L3S25-WH-Maestro-Single-Pole-Dimmer/dp/B0016P3G0E>.*

(Continued)

Primary Examiner — Selina Sikder

(74) *Attorney, Agent, or Firm* — Graham Patent Law

(57) **CLAIM**

The ornamental design for a luminaire controller, as shown and described.

DESCRIPTION

FIG. 1 is a perspective view of the front of the luminaire controller;
 FIG. 2 is a perspective view of the rear of the luminaire controller;
 FIG. 3 is a plan view of the front of the luminaire controller;
 FIG. 4 is a plan view of the rear of the luminaire controller;
 FIG. 5 is a top view of the luminaire controller;
 FIG. 6 is a bottom view of the luminaire controller;
 FIG. 7 is a elevation view of the right side of the luminaire controller; and,
 FIG. 8 is an elevation view of the left side of the luminaire controller.

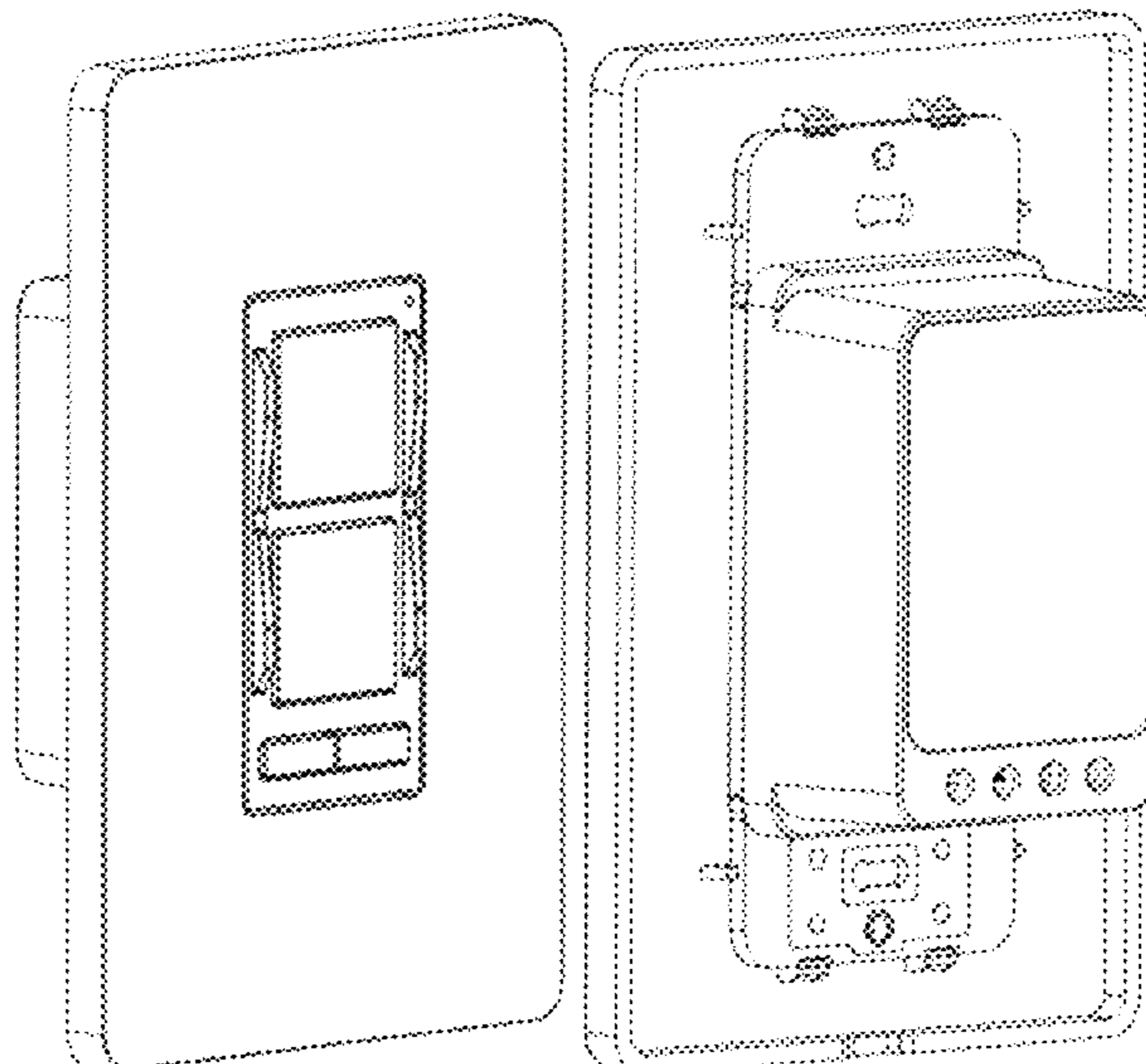
The wires extending from the rear of the luminaire controller are depicted using dotted lines to indicate that the wires do not form part of the design.

1 Claim, 6 Drawing Sheets

(56) **References Cited**

U.S. PATENT DOCUMENTS

- D537,046 S * 2/2007 Blair D13/162
- D539,234 S * 3/2007 Blair D13/162
- D543,951 S * 6/2007 Blair D13/162
- D627,309 S * 11/2010 Snyder D13/171



(56)

References Cited

U.S. PATENT DOCUMENTS

2009/0251352 A1* 10/2009 Altonen H01H 9/02
341/176
2016/0041569 A1* 2/2016 Kevelos H01H 23/025
323/320
2019/0189147 A1* 6/2019 Monteith H04R 1/028

OTHER PUBLICATIONS

Bestten Digital Dimmer Light Switch with LED Indicator, Horizontal Dimming Slider Bar; Aug. 22, 2019; 6 pgs.;<https://www.amazon.com/BESTTEN-Indicator-Horizontal-Dimmable-Incandescent/dp/B07WWC9Q1N>.*

Lutron Maestro LED+ Fan Control and Dimmer for LEDs, Dec. 4, 2017; 2 pgs; https://www.amazon.com/Lutron-Maestro-Incandescent-Single-Pole-MACL-LFQ-WH/dp/B077XDB8FV/ref=sr_1_5?crid=19KV2B8LZLGFT&keywords=Lutron%C2%AE%2BMaestro%C2%AE%2B300-Watt%2BIncandescent%2B1-Pole%2BWhite%2BDual%2BDimmer%2BSwitch&qid=1658436381&s=hi&.*

Kasa_Smart_Dimmer_Switch_HS220_Single_Pole, 3-10-218, 2 pgs.;<https://www.amazon.com/Kasa-Smart-HS220-Certified-Required/dp/B079775ZZQ>.*

* cited by examiner

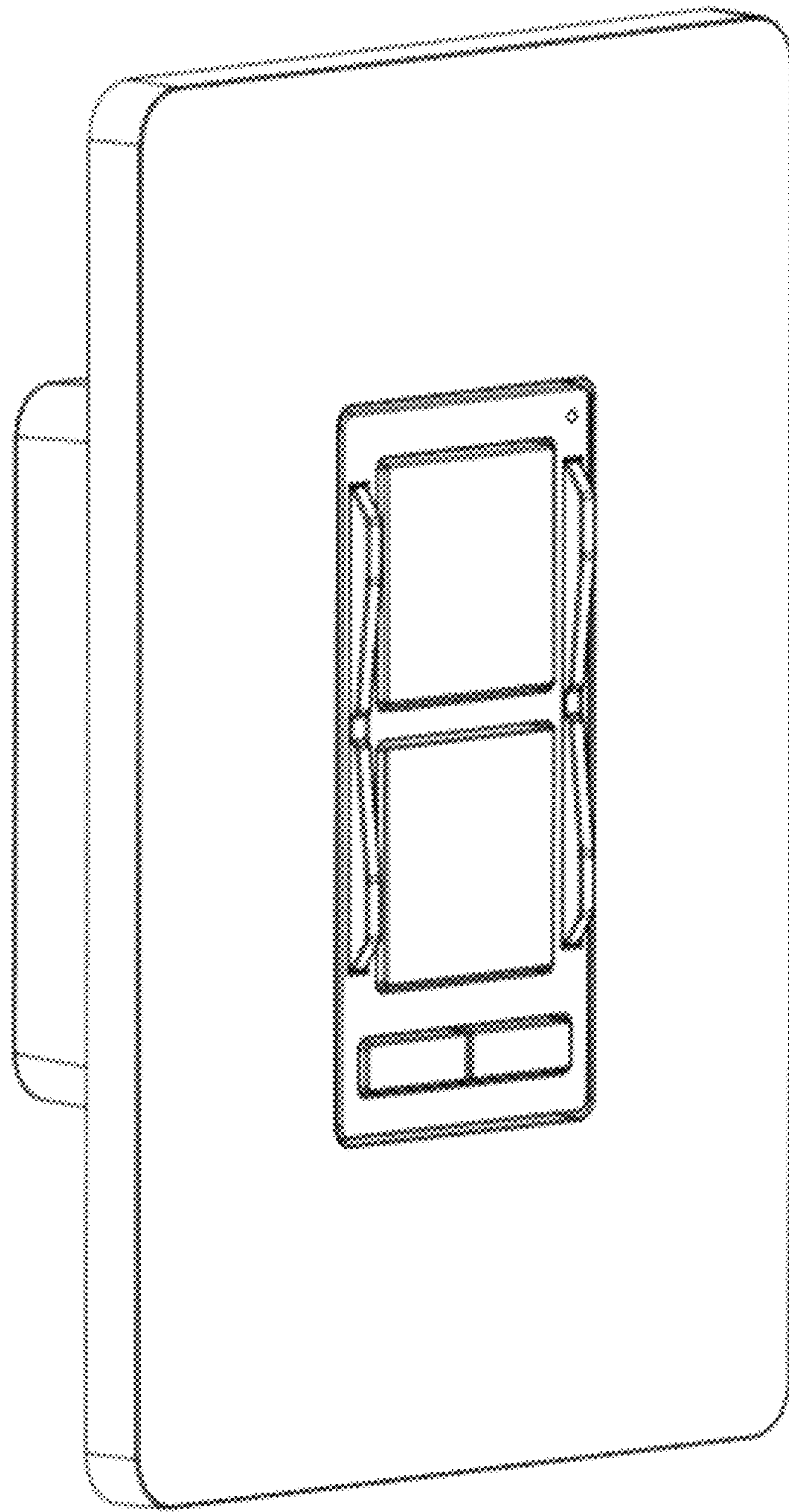


Fig. 1

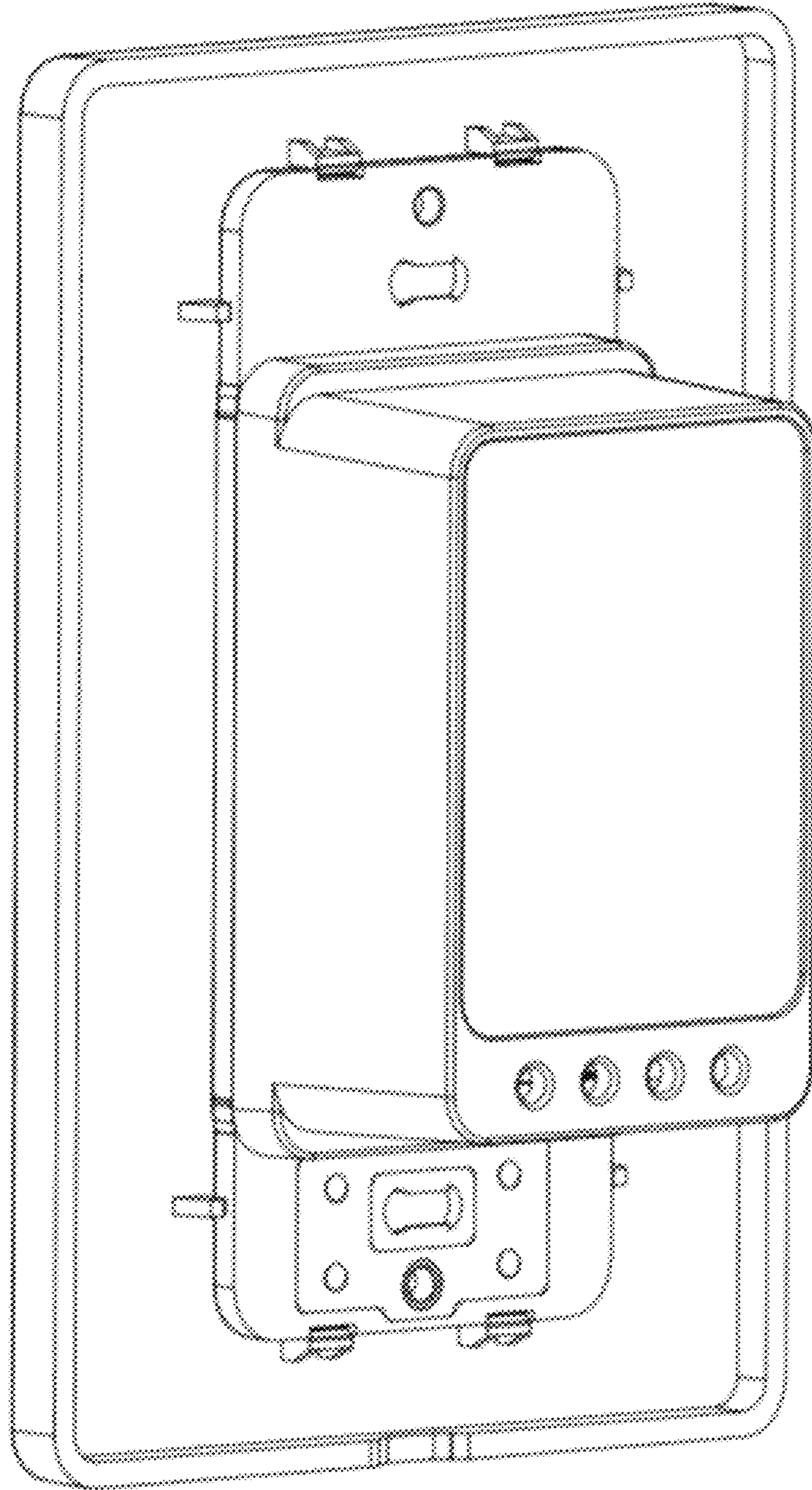


Fig. 2

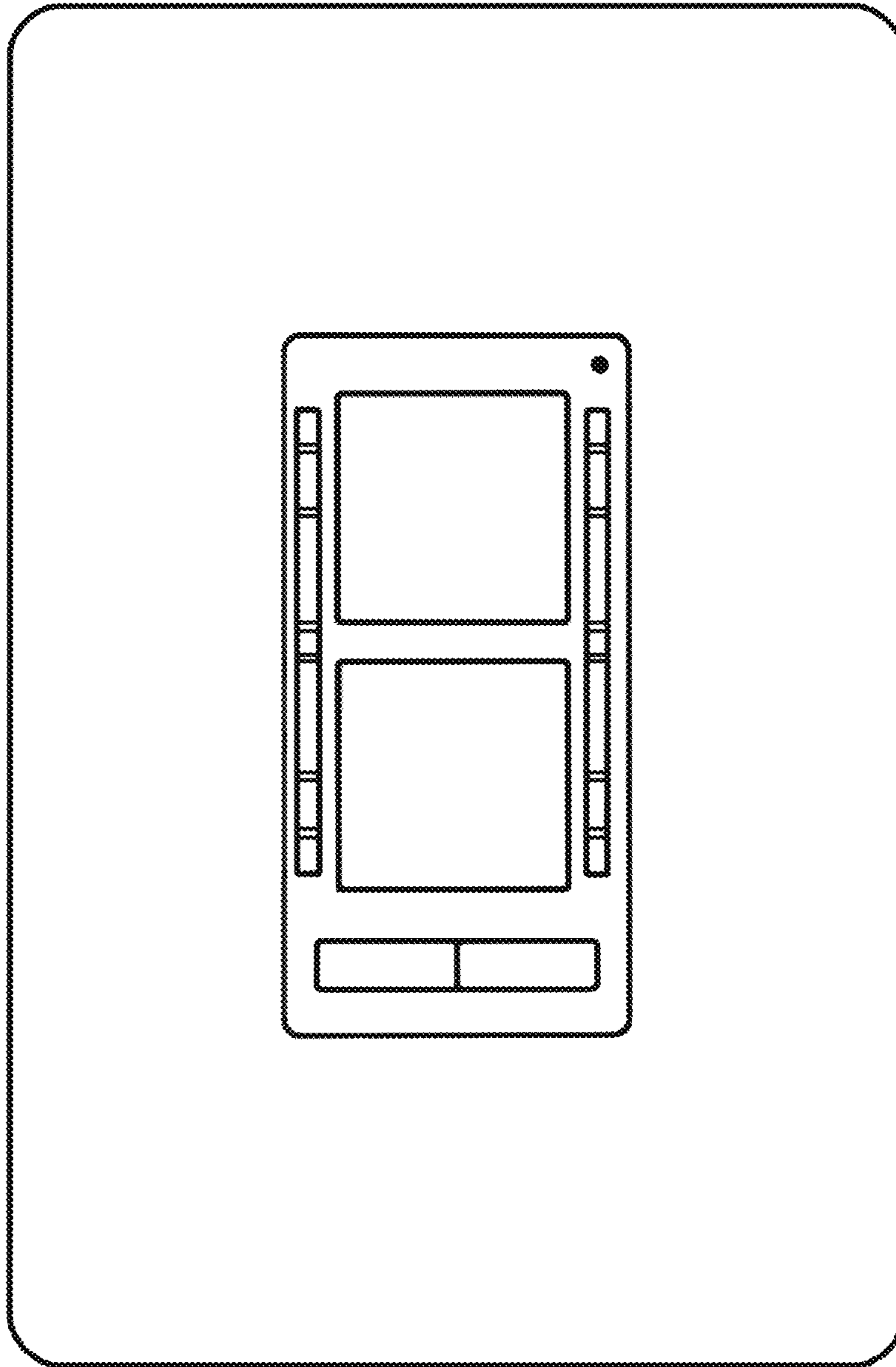


Fig. 3

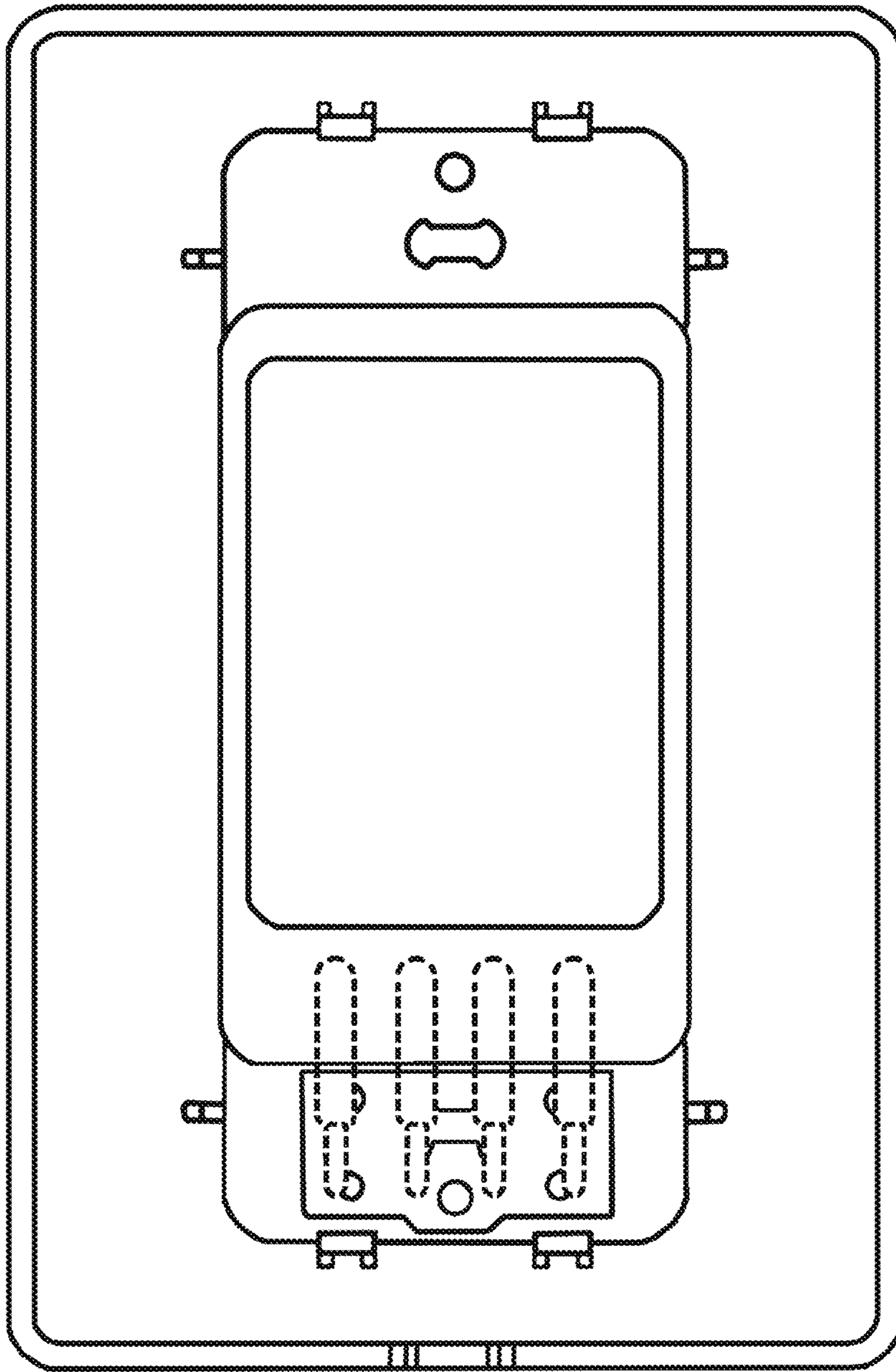


Fig. 4

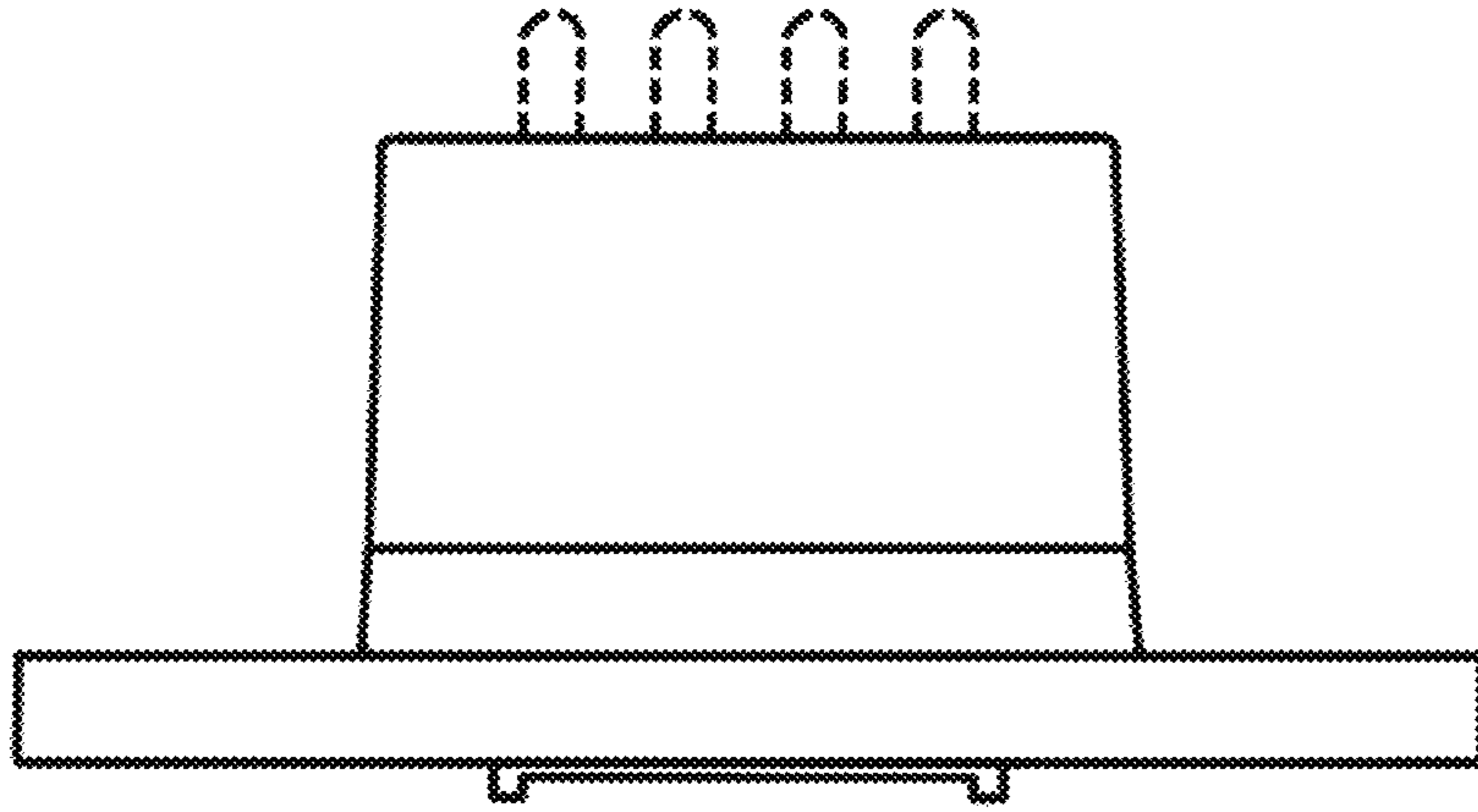


Fig. 5

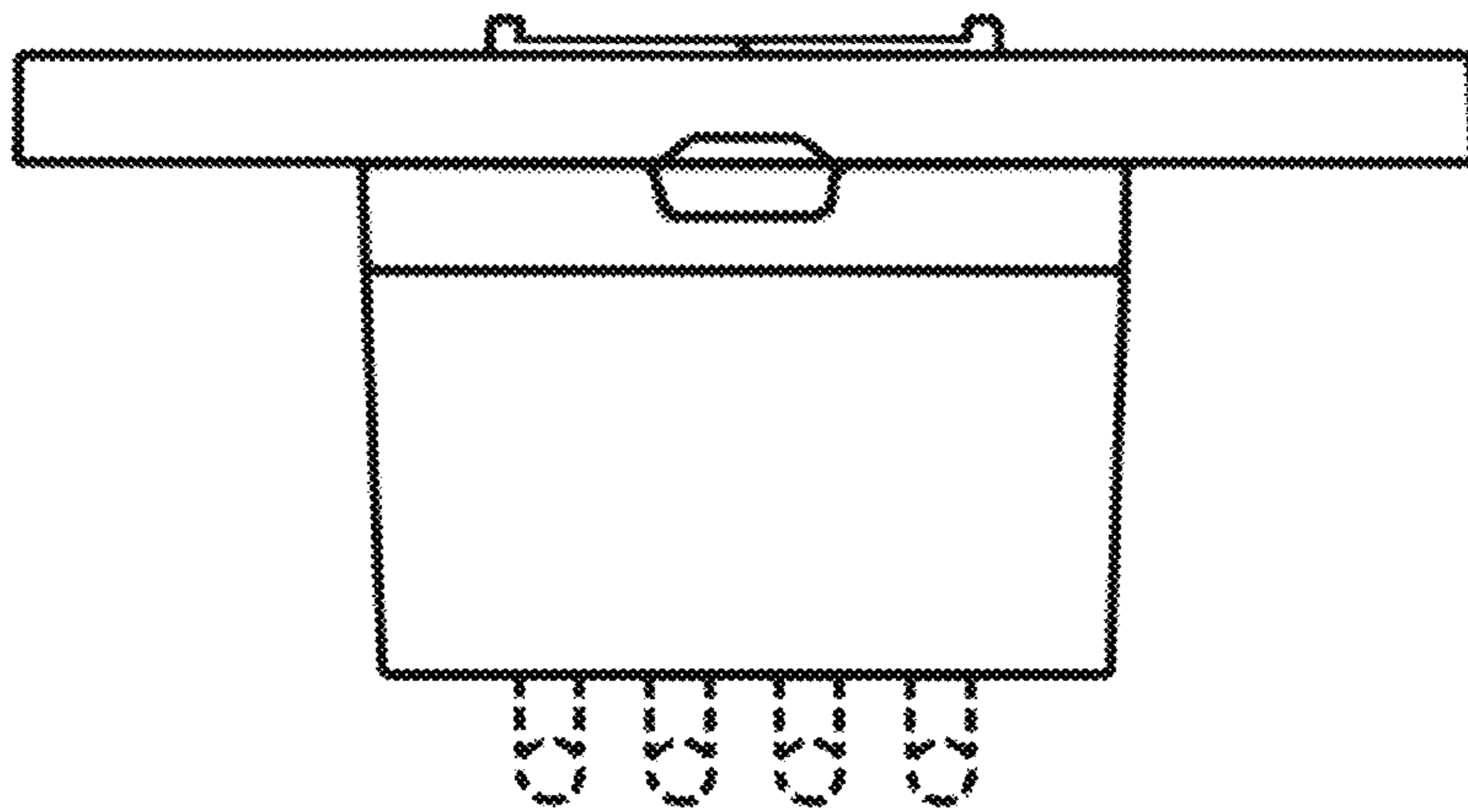


Fig. 6

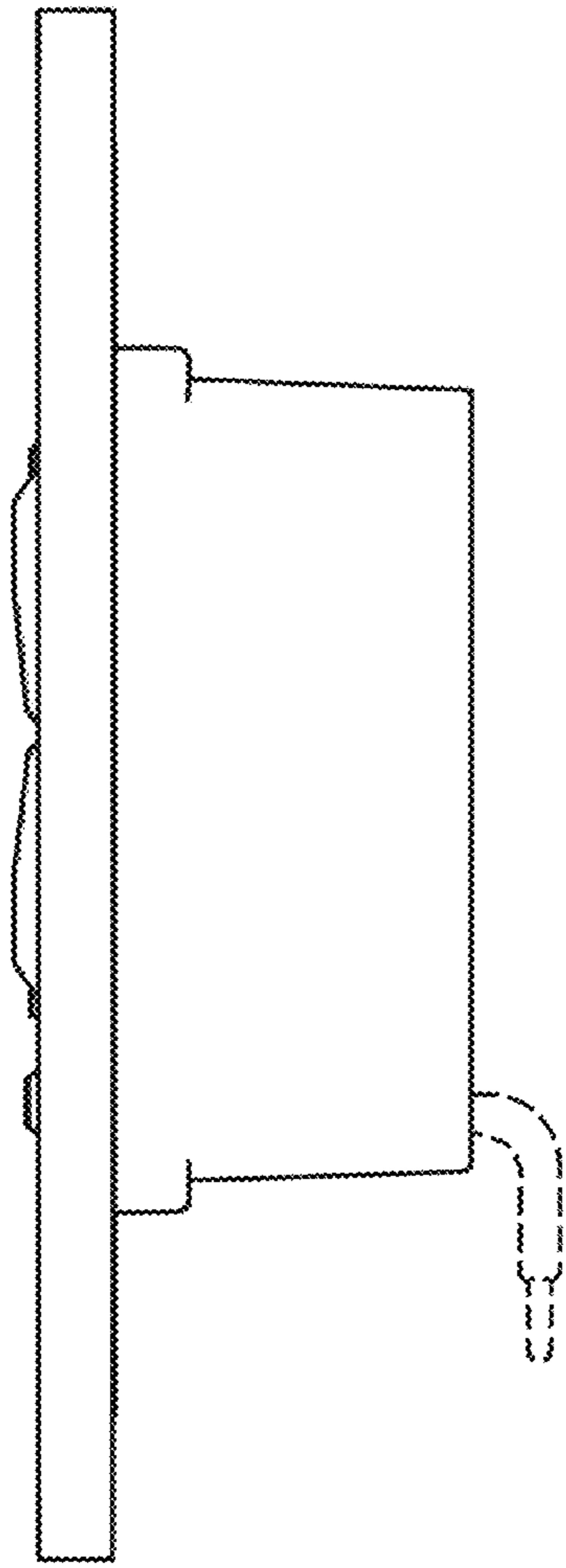


Fig. 7

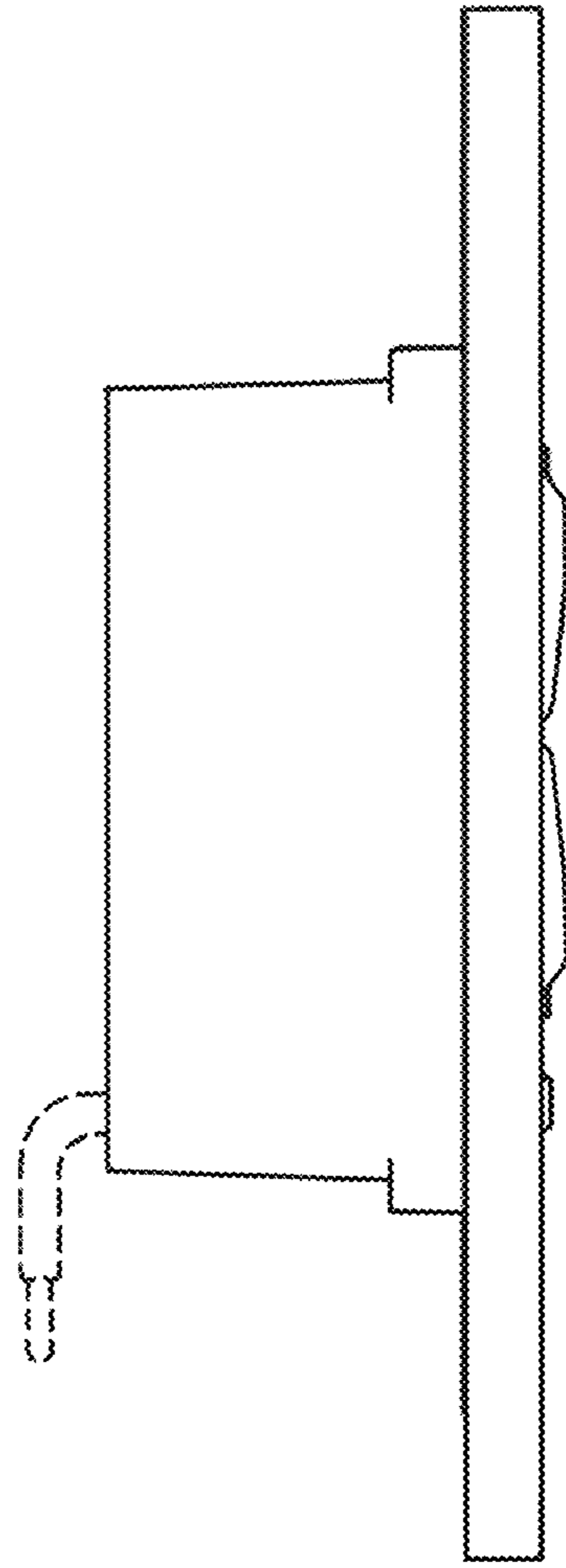


Fig. 8