



US00D987588S

(12) **United States Design Patent**  
**Zhang**

(10) **Patent No.:** **US D987,588 S**

(45) **Date of Patent:** **\*\* May 30, 2023**

(54) **SWITCH**

(71) Applicant: **Zeken Zhang**, Lufeng (CN)

(72) Inventor: **Zeken Zhang**, Lufeng (CN)

(\*\*) Term: **15 Years**

(21) Appl. No.: **29/816,941**

(22) Filed: **Nov. 26, 2021**

(51) **LOC (14) Cl.** ..... **13-03**

(52) **U.S. Cl.**  
USPC ..... **D13/158**

(58) **Field of Classification Search**

USPC ... D13/158, 162, 162.1, 177, 184, 164, 168,  
D13/171, 173, 174, 199; D10/49, 50  
CPC ..... H01H 9/0271; H01H 9/02; H01H 9/0264;  
H01H 9/16; H01H 9/18; H01H 9/181;  
H01H 9/182; H01H 3/02; H01H 3/0213;  
H01H 3/04; H01H 3/06; H01H 3/08;  
H01H 3/12; H01H 3/122; H05B 39/085;  
H05B 39/088; H05B 39/02; H05B 39/04;  
H05B 39/086

See application file for complete search history.

(56) **References Cited**

**U.S. PATENT DOCUMENTS**

D356,567 S \* 3/1995 Jones ..... D13/162  
D366,262 S \* 1/1996 Inaba ..... D14/218  
D389,138 S \* 1/1998 Oshima ..... D14/218  
D391,230 S \* 2/1998 Thomas ..... D13/168  
D405,796 S \* 2/1999 Uehara ..... D14/218  
D487,064 S \* 2/2004 Stekelenburg ..... D13/168  
D518,399 S \* 4/2006 Breslow ..... D14/155

D545,166 S \* 6/2007 Laaper ..... D14/480.5  
D550,654 S \* 9/2007 Miyawaki ..... D14/218  
D595,669 S \* 7/2009 Endo ..... D13/168  
D789,820 S \* 6/2017 Siminoff ..... D10/118.2  
D793,268 S \* 8/2017 Ye ..... D10/118.2  
D802,463 S \* 11/2017 Siminoff ..... D10/118.2  
D802,650 S \* 11/2017 Hoshi ..... D14/218  
D817,207 S \* 5/2018 Scalisi ..... D10/118.2  
D901,496 S \* 11/2020 Hachiya ..... D14/388  
D917,404 S \* 4/2021 Xu ..... D13/168  
D923,505 S \* 6/2021 Scalisi ..... D10/118.2  
D928,727 S \* 8/2021 Chen ..... D13/162  
D940,083 S \* 1/2022 Bi ..... D14/218  
D965,537 S \* 10/2022 Lan ..... D13/162  
D966,910 S \* 10/2022 Peschel ..... D10/49  
D971,858 S \* 12/2022 Zhang ..... D14/218

\* cited by examiner

*Primary Examiner* — S. Bryan Reinholdt, Jr.

*Assistant Examiner* — Leah E Hoeferkamp

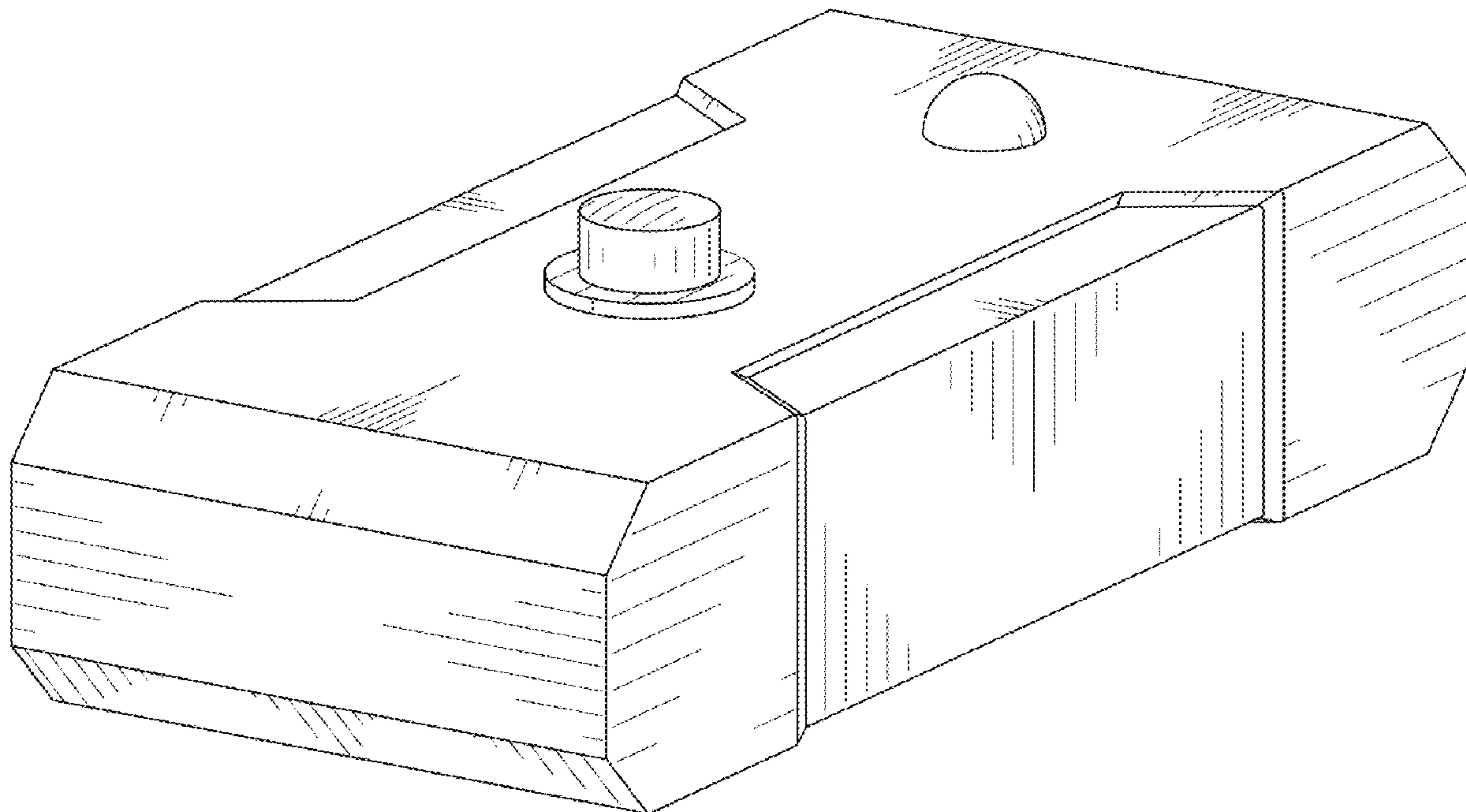
(57) **CLAIM**

The ornamental design for a switch, substantially as shown and described.

**DESCRIPTION**

FIG. 1 is a top, front and left side perspective view of a switch, showing my new design;  
FIG. 2 is a front elevational view thereof;  
FIG. 3 is a rear elevational view thereof;  
FIG. 4 is a left side elevational view thereof;  
FIG. 5 is a right side elevational view thereof;  
FIG. 6 is a top plan view thereof; and,  
FIG. 7 is a bottom plan view thereof.

**1 Claim, 7 Drawing Sheets**



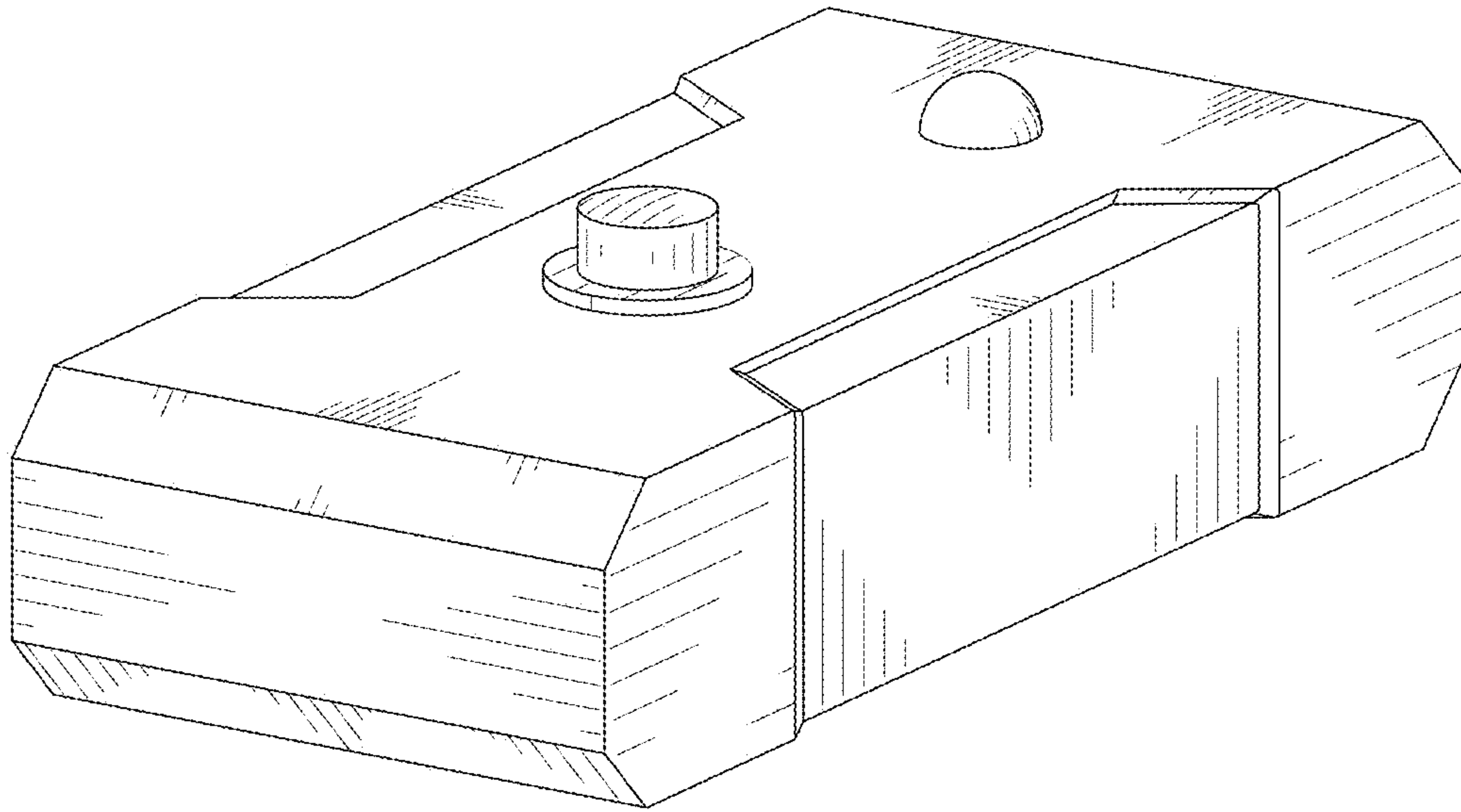


FIG.1

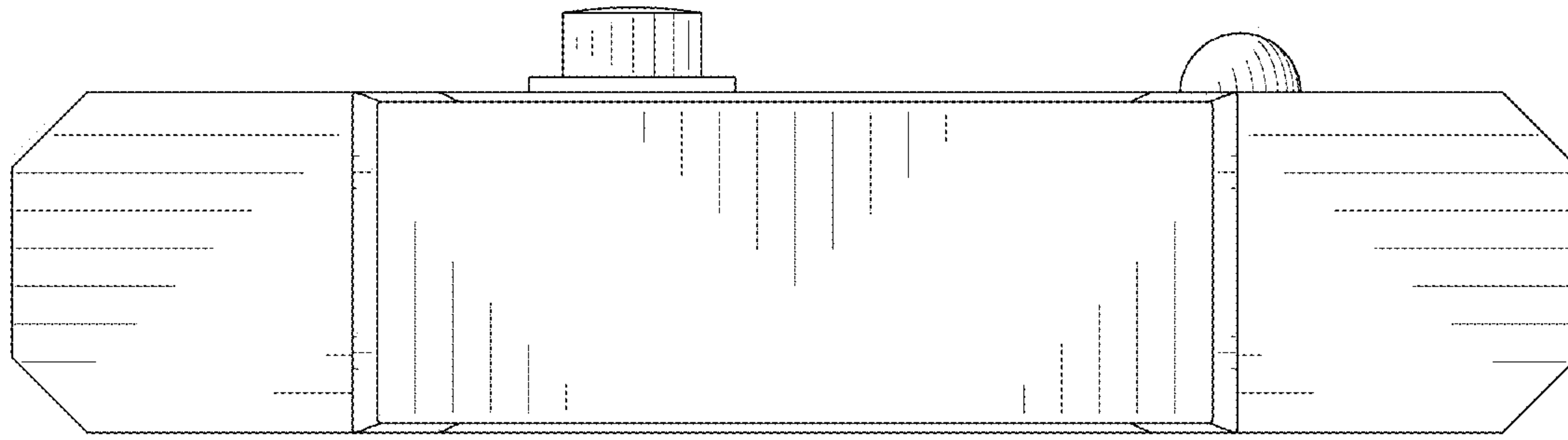


FIG.2

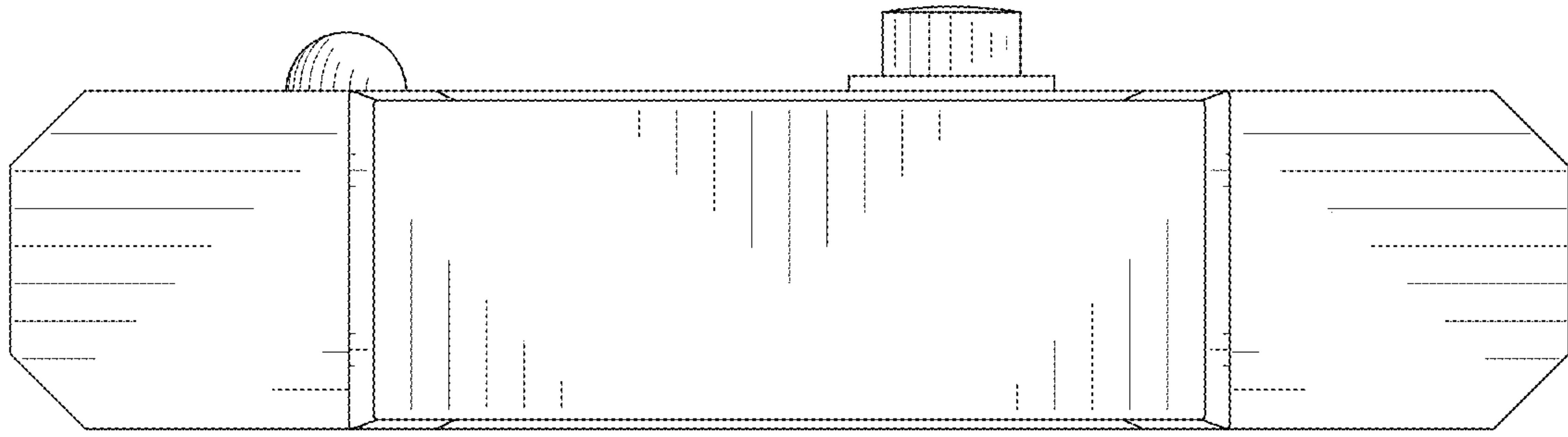


FIG.3

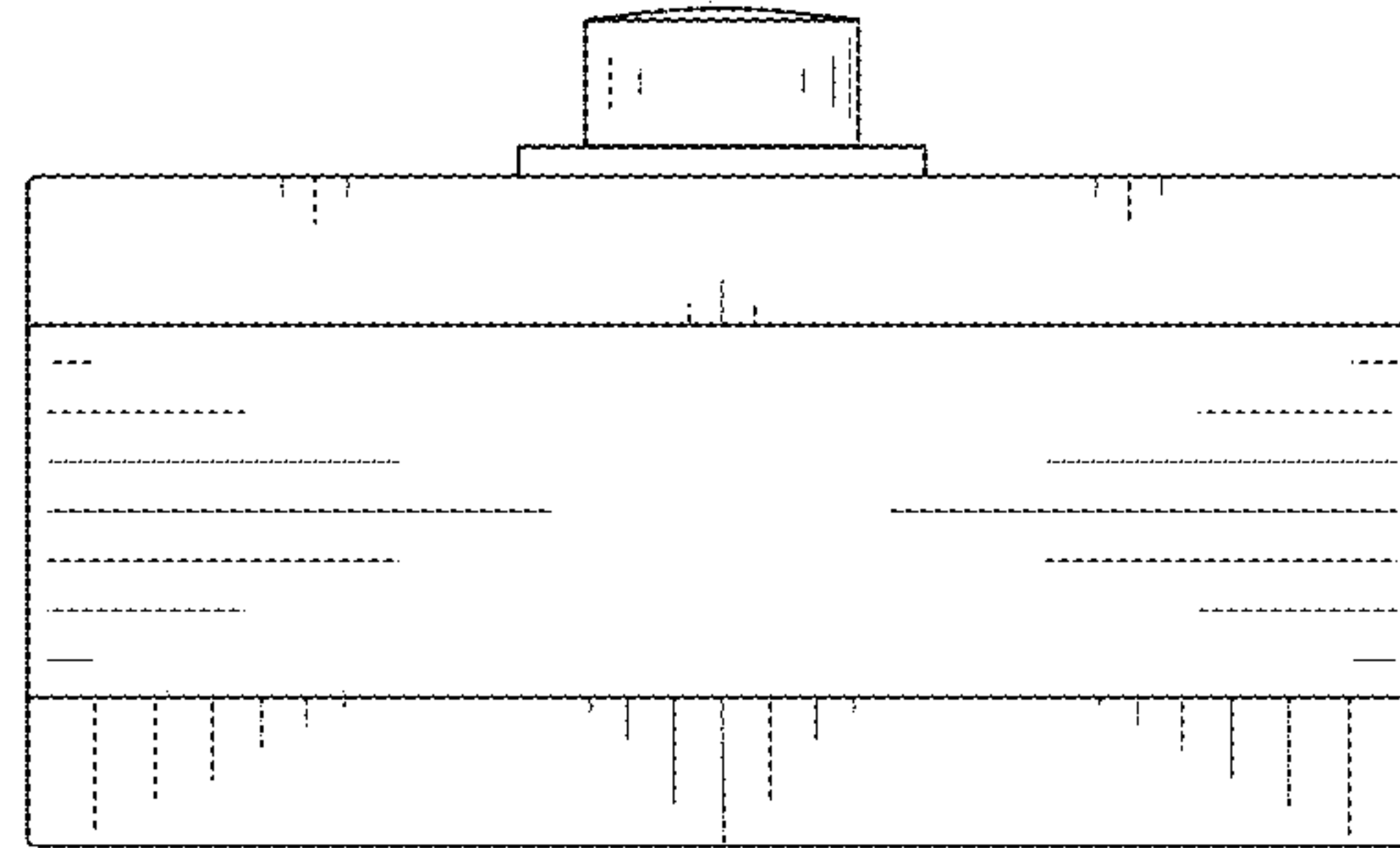


FIG.4

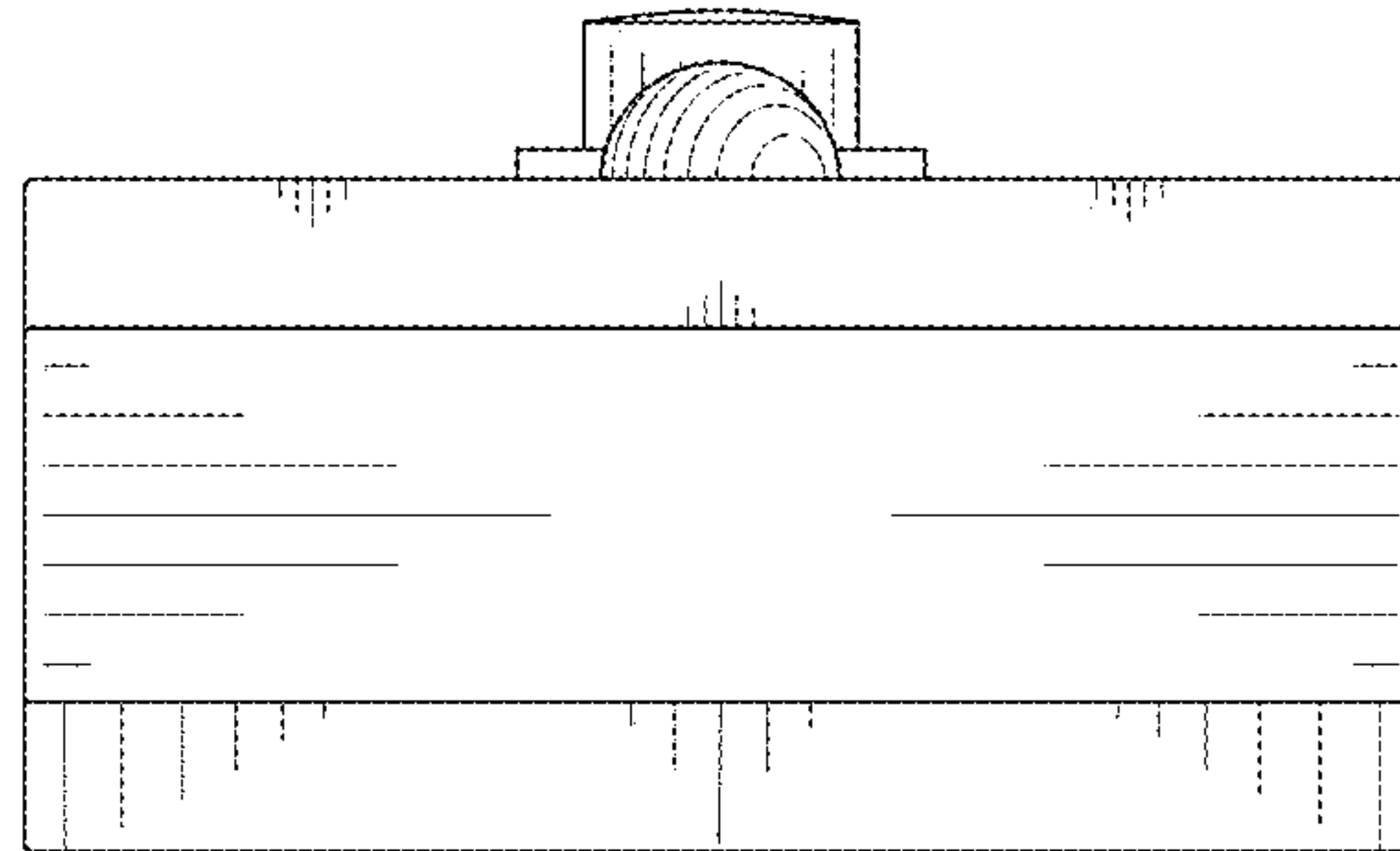


FIG.5

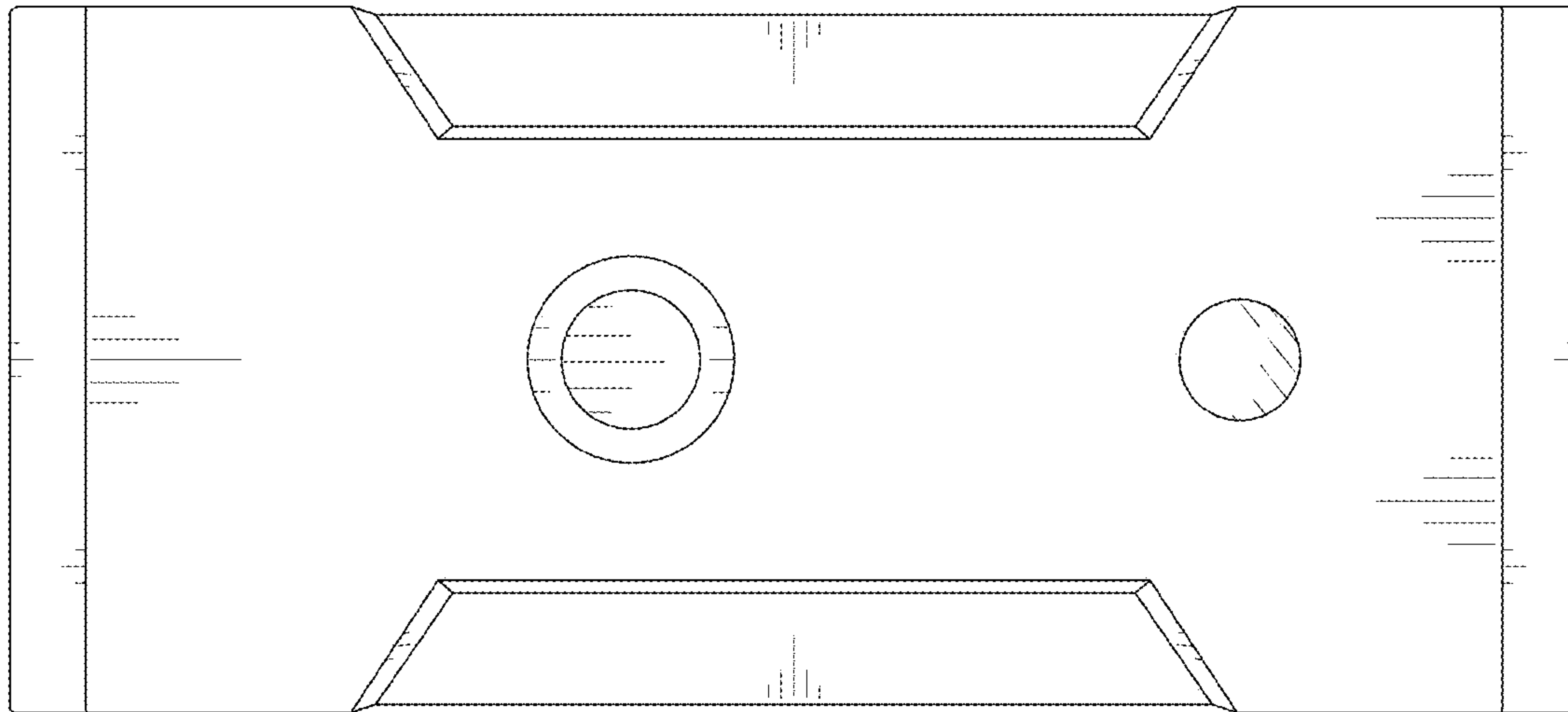


FIG.6

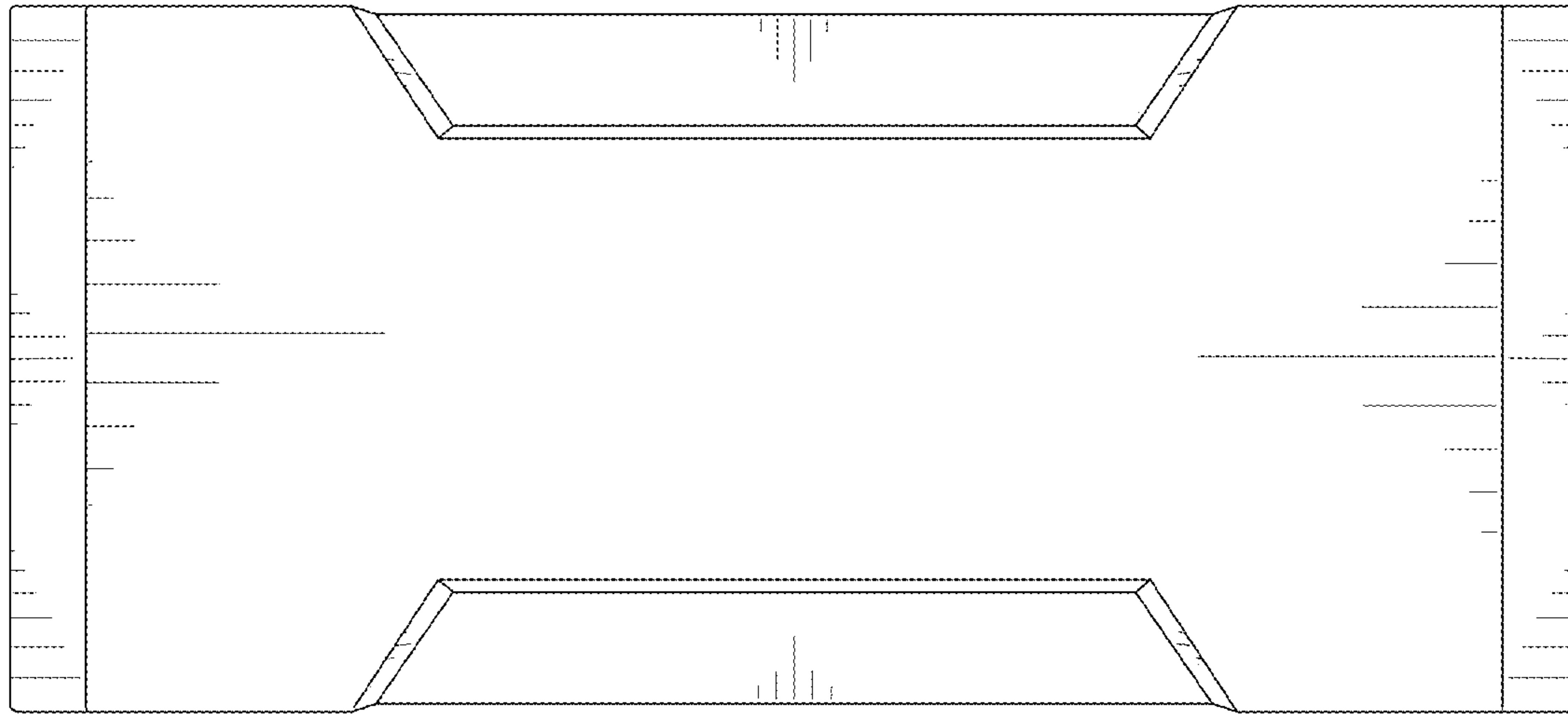


FIG.7