



US00D987587S

(12) **United States Design Patent** (10) **Patent No.:** **US D987,587 S**  
**Thom et al.** (45) **Date of Patent:** **\*\* May 30, 2023**

(54) **SAFETY LOCKOUT DEVICE FOR ELECTRICAL SWITCH**

(71) Applicant: **TAGOUT SAFETY PRODUCTS LLC**, Gresham, OR (US)

(72) Inventors: **Todd Thom**, Gresham, OR (US); **Orville Flowers**, Happy Valley, OR (US)

(73) Assignee: **TAGOUT SAFETY PRODUCTS LLC**, Gresham, OR (US)

(\*\*) Term: **15 Years**

(21) Appl. No.: **29/730,281**

(22) Filed: **Apr. 2, 2020**

(51) **LOC (14) Cl.** ..... **13-03**

(52) **U.S. Cl.**  
USPC ..... **D13/173**

(58) **Field of Classification Search**  
USPC ..... D13/158, 173, 178; D8/330  
CPC ..... H01H 9/06; H01H 9/20; H01H 9/287;  
H02G 3/08; H02G 3/081; H02G 3/083;  
H02G 3/088; H02G 3/10; H02G 3/12;  
H02G 3/14

See application file for complete search history.

(56) **References Cited**

**U.S. PATENT DOCUMENTS**

1,558,628 A 10/1925 Purcell  
1,601,083 A \* 9/1926 Pearson ..... H02G 3/14  
220/241  
2,241,828 A \* 5/1941 Reynolds ..... H01R 13/707  
200/51 R  
2,910,558 A \* 10/1959 Engelhardt ..... H02P 4/00  
335/69  
D192,506 S \* 4/1962 Franklin ..... D13/110

4,365,129 A 12/1982 McKee  
6,580,041 B1 6/2003 Ransopher  
D632,260 S \* 2/2011 Smith ..... D13/154  
D767,368 S \* 9/2016 Sanford ..... D8/330  
D824,239 S \* 7/2018 Anwar ..... D8/330  
D947,797 S \* 4/2022 Thom ..... D13/173  
2014/0102865 A1 4/2014 Obenshain et al.  
2014/0220802 A1 8/2014 Bogart et al.  
2016/0055995 A1 2/2016 Kubisiak  
2021/0098206 A1\* 4/2021 Thom ..... H01H 9/28

**FOREIGN PATENT DOCUMENTS**

CN 202996671 U 6/2013

\* cited by examiner

*Primary Examiner* — Rosemary K Tarcza

*Assistant Examiner* — Seth David Kumpf

(74) *Attorney, Agent, or Firm* — McCoy Russell LLP

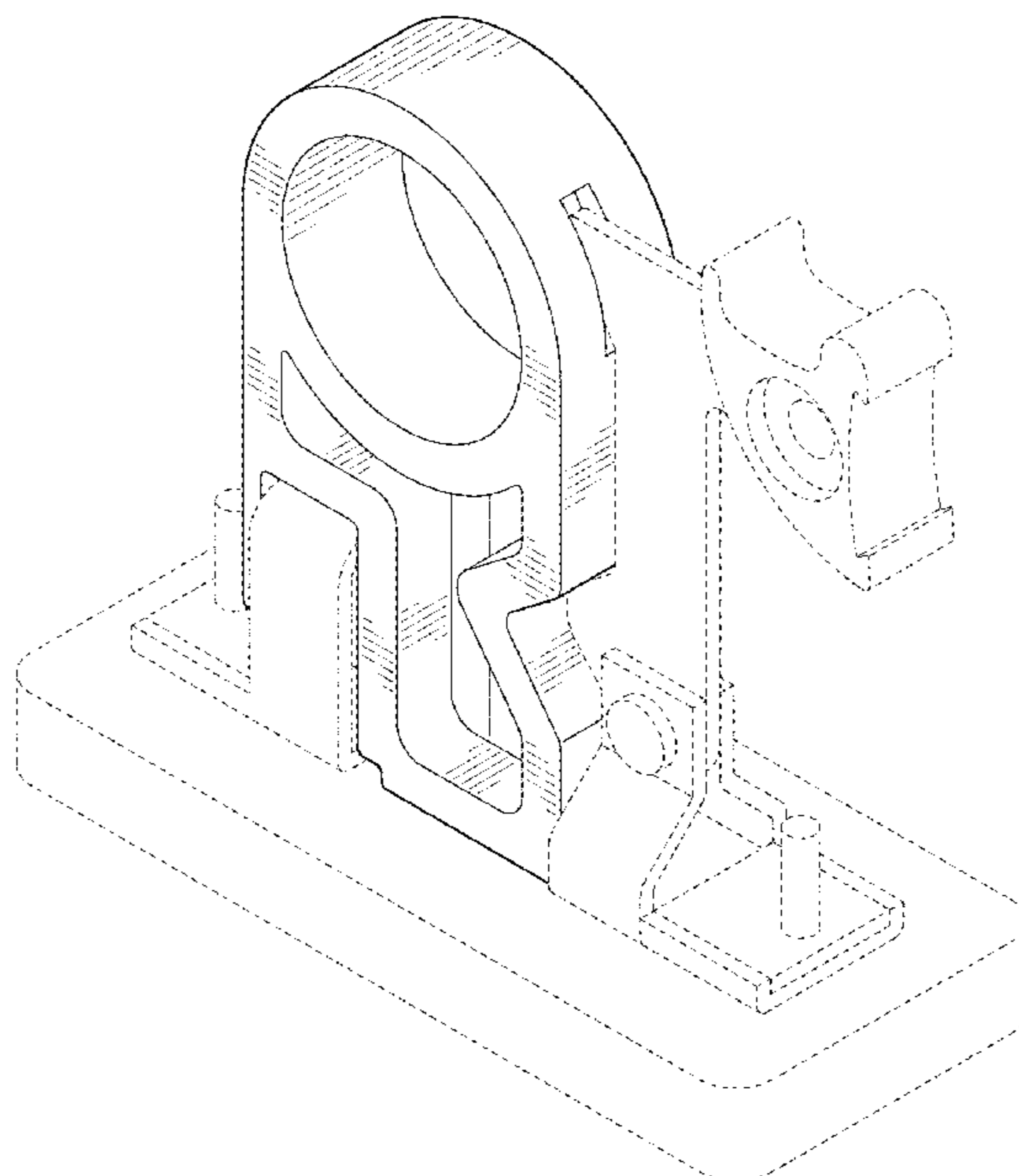
(57) **CLAIM**

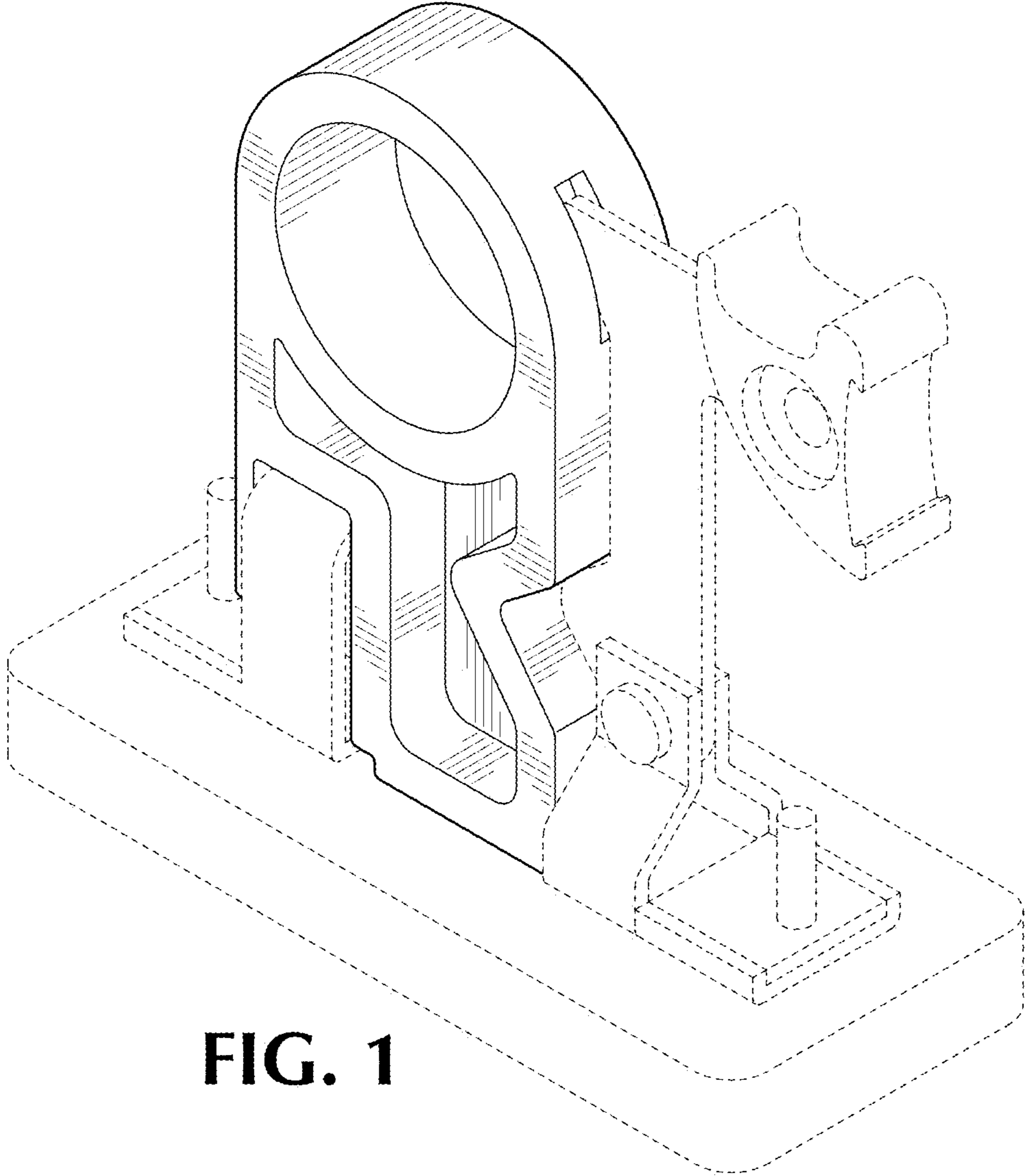
The ornamental design for a safety lockout device for an electrical switch, as shown and described.

**DESCRIPTION**

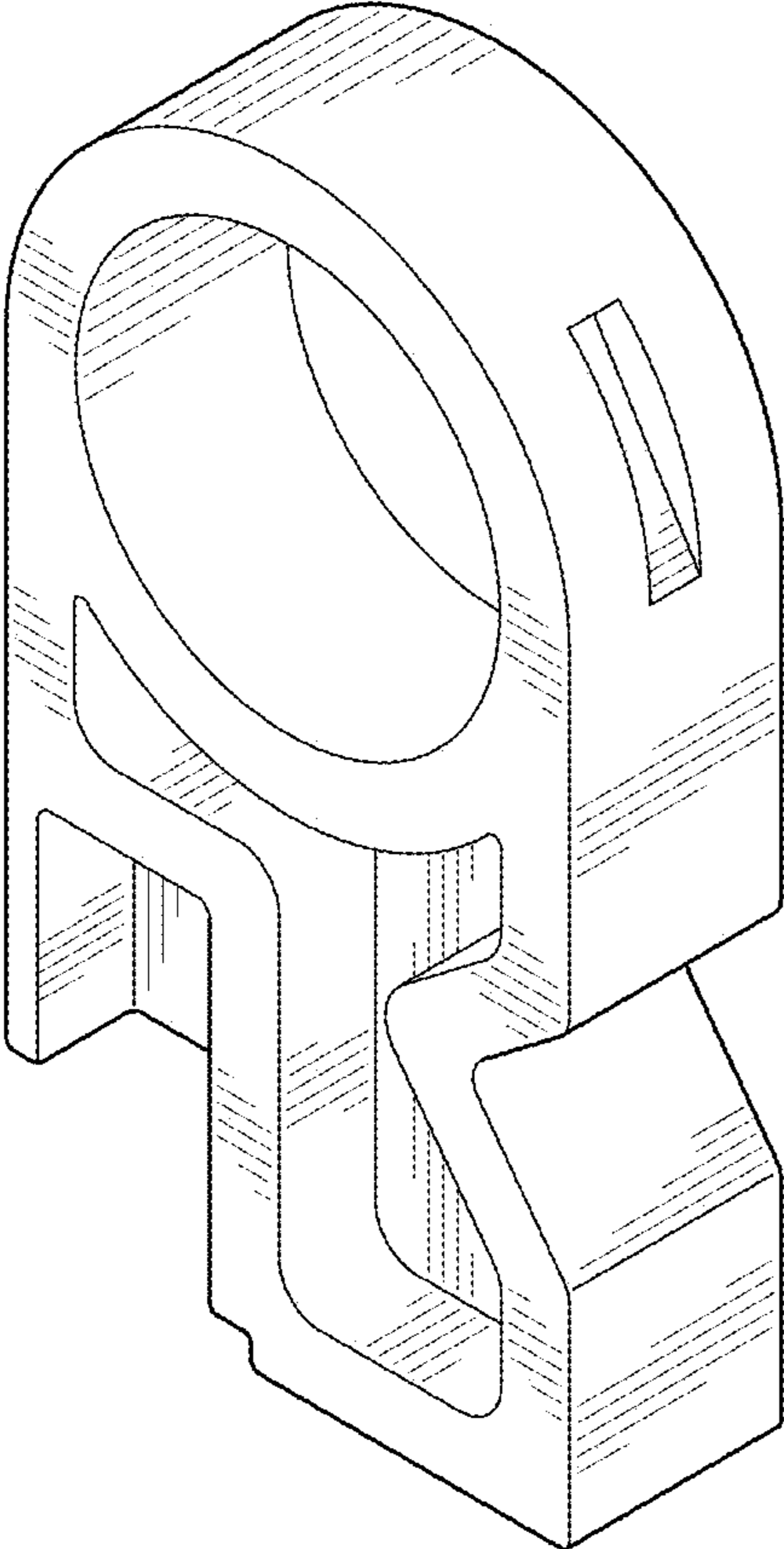
FIG. 1 is a first front perspective view of a first embodiment of a safety lockout device for an electrical switch; FIG. 2 is a second front perspective view thereof; FIG. 3 is a first back perspective view thereof; FIG. 4 is a side elevation view thereof; FIG. 5 is a front elevation view thereof; FIG. 6 is a back elevation view thereof; FIG. 7 is a top side elevation view thereof; and, FIG. 8 is a bottom side elevation view thereof. The broken lines in the drawings are for the purpose of illustrating environmental structure that form no part of the claimed design.

**1 Claim, 3 Drawing Sheets**

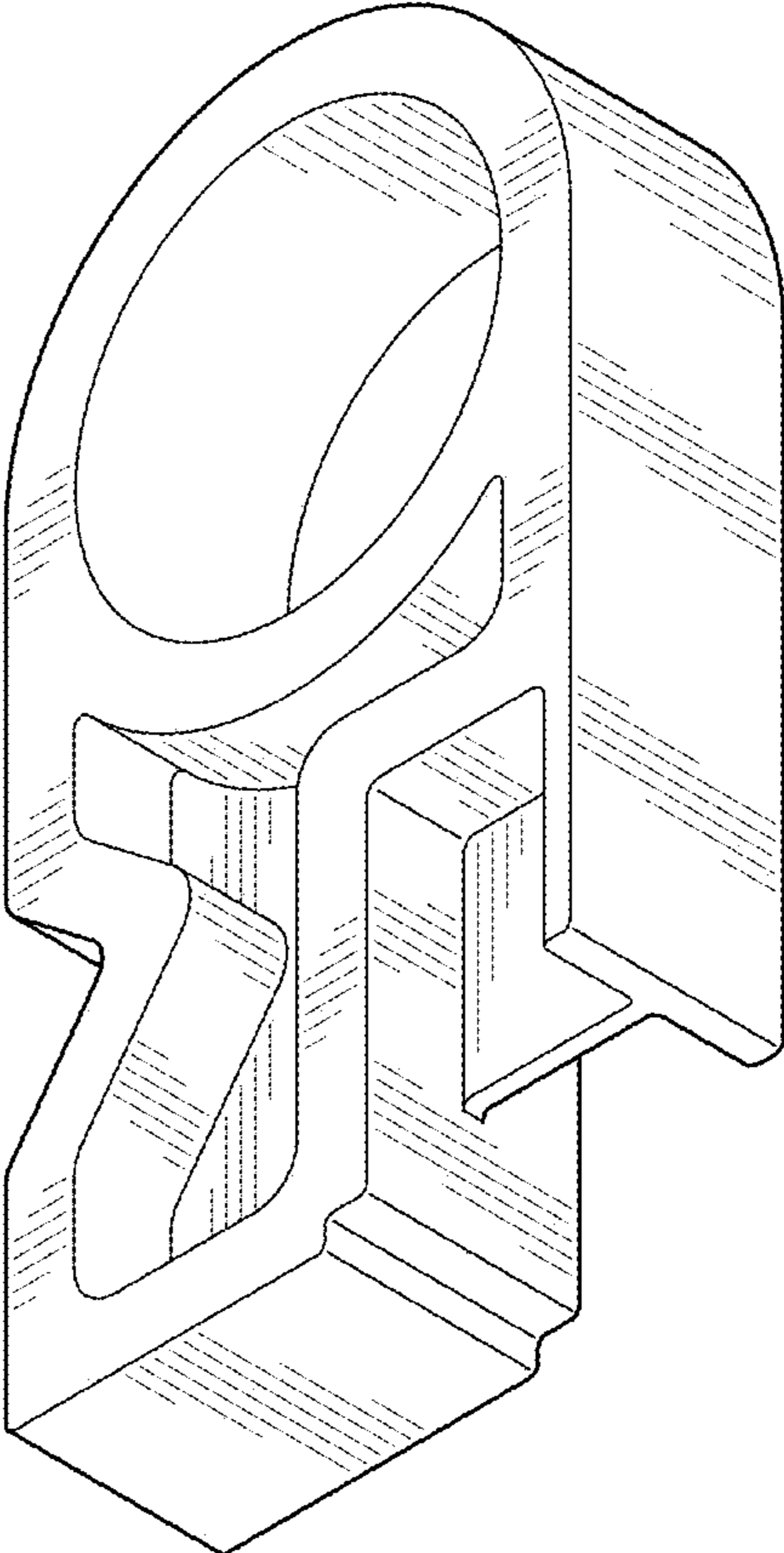




**FIG. 1**



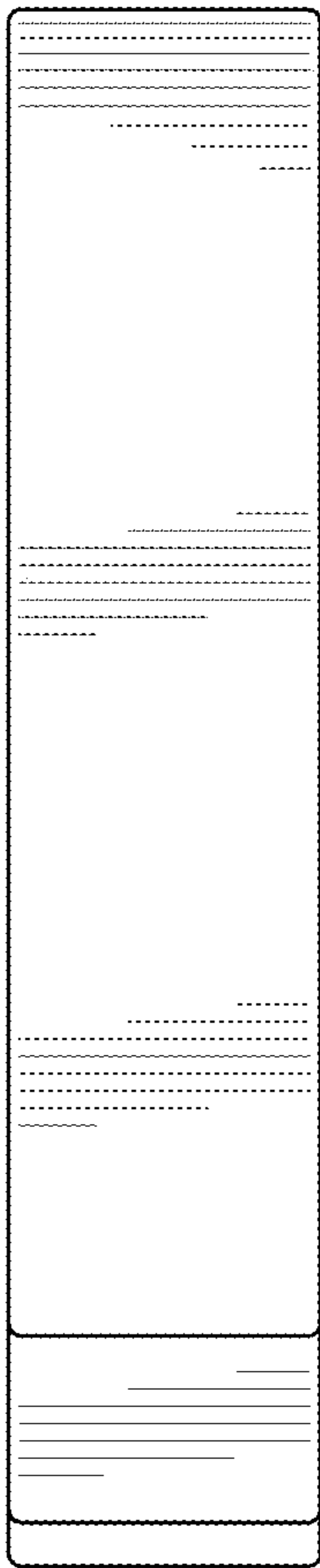
**FIG. 2**



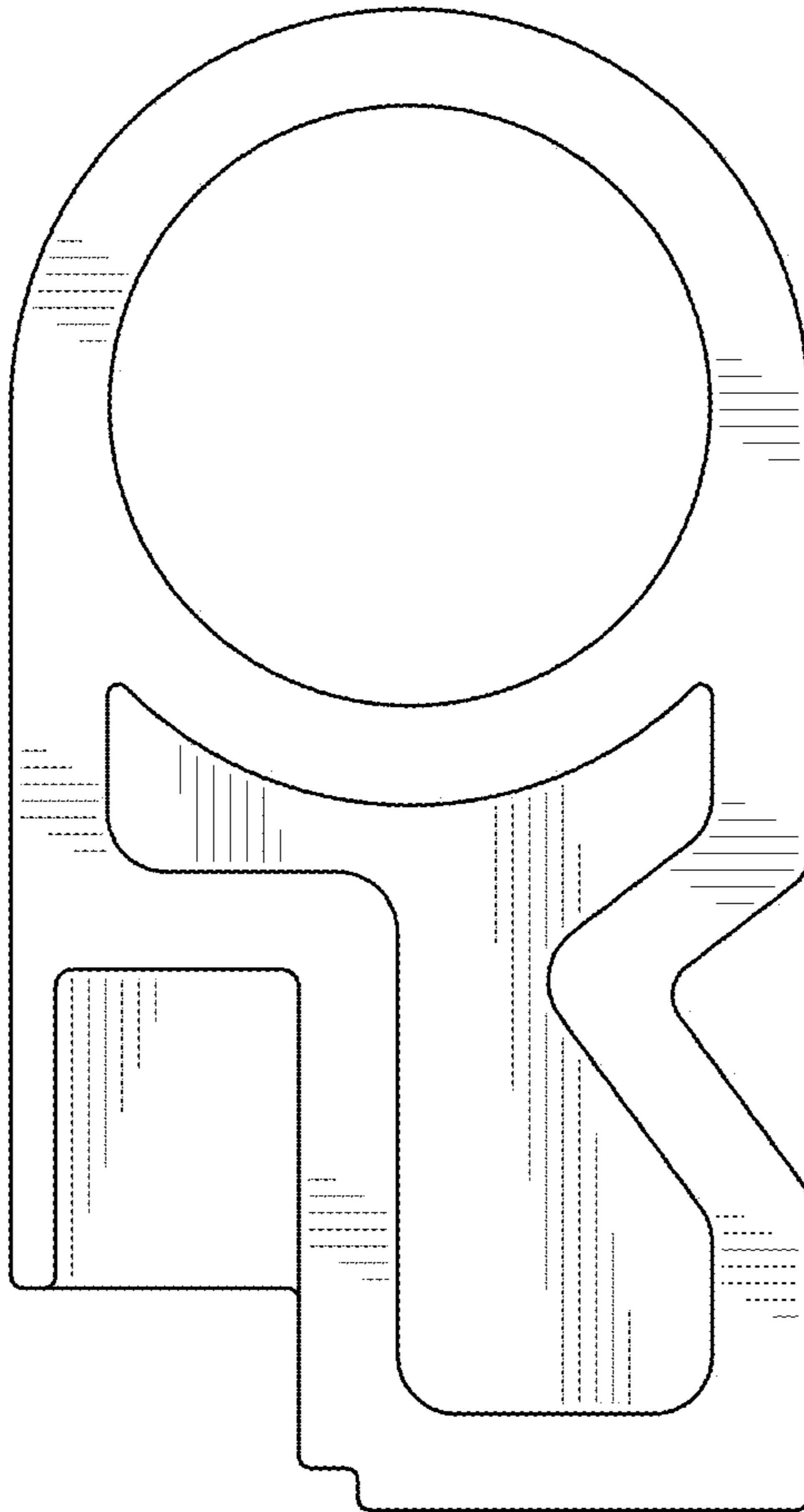
**FIG. 3**



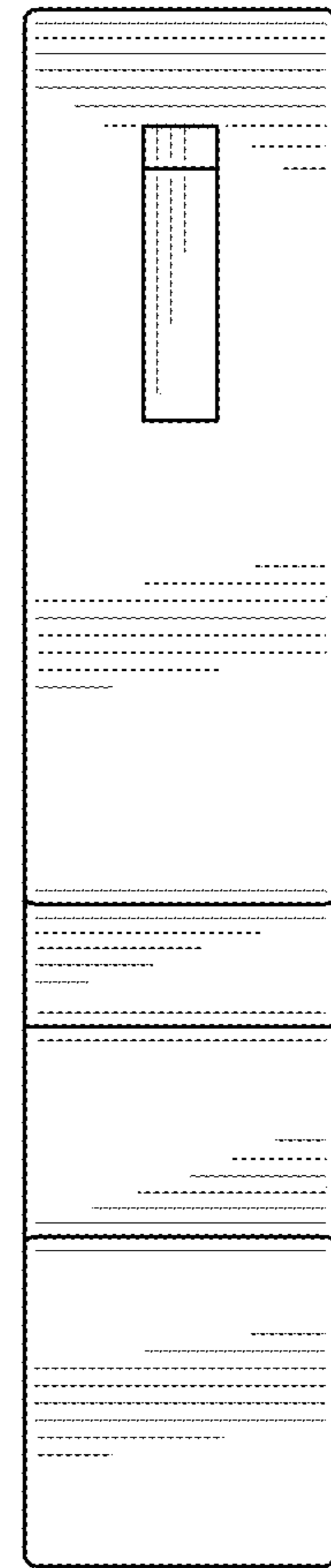
**FIG. 7**



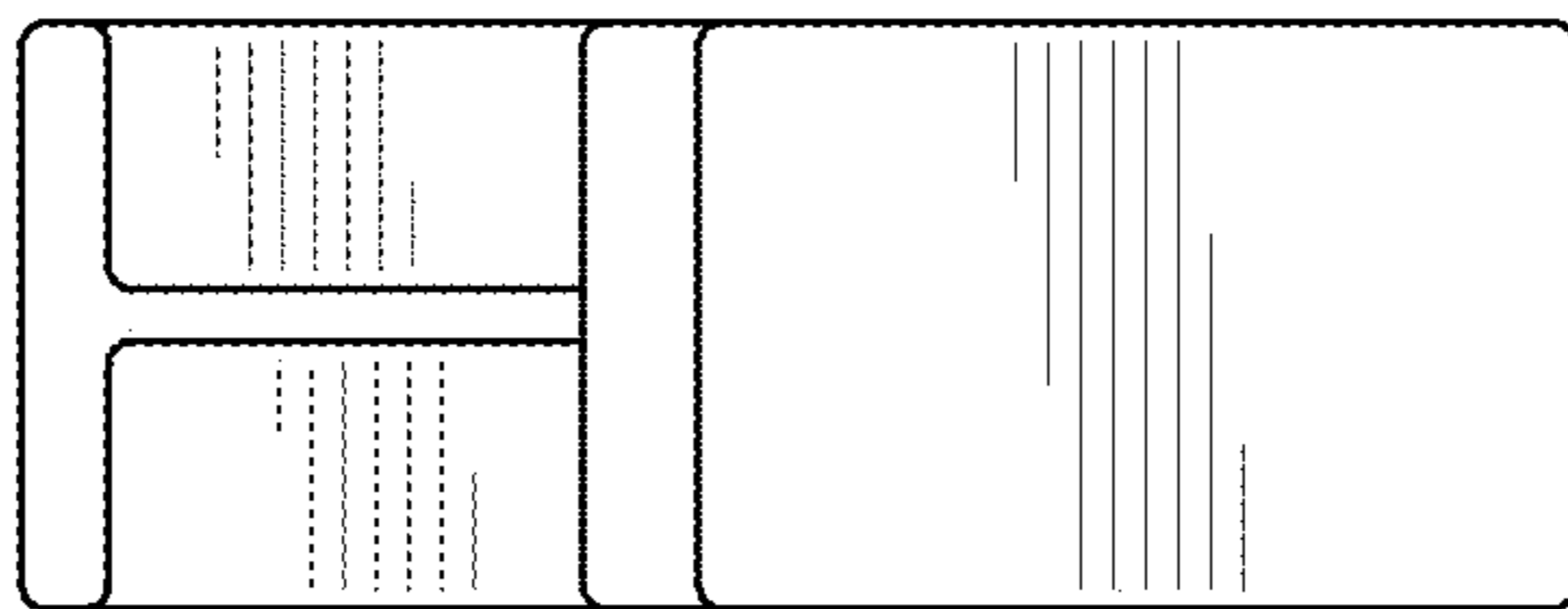
**FIG. 5**



**FIG. 4**



**FIG. 6**



**FIG. 8**