



US00D987582S

(12) **United States Design Patent** (10) **Patent No.:** **US D987,582 S**
Tabata et al. (45) **Date of Patent:** **** May 30, 2023**

(54) **COVER FOR ELECTRICAL PLUGS**

(71) Applicants: **Yokogawa Electric Corporation**,
Tokyo (JP); **Yokogawa Test &
Measurement Corporation**, Tokyo (JP)

(72) Inventors: **Hiroki Tabata**, Musashino (JP); **Takuto
Takanohashi**, Musashino (JP)

(**) Term: **15 Years**

(21) Appl. No.: **35/511,998**

(22) Filed: **Dec. 10, 2020**

(80) **Hague Agreement Data**

Int. Filing Date: **Dec. 10, 2020**

Int. Reg. No.: **DM/212107**

Int. Reg. Date: **Dec. 10, 2020**

Int. Reg. Pub. Date: **Jun. 11, 2021**

(51) **LOC (14) Cl.** **13-03**

(52) **U.S. Cl.**
USPC **D13/139.1**

(58) **Field of Classification Search**

USPC D13/103, 137.1-13, 133, 138.1, 138.2,
D13/139.1-13, 156, 145, 147, 184

CPC .. H02G 15/18; H02G 15/1826; H01R 13/516;
H01R 13/518; H01R 13/52; H01R 13/46;
H01R 13/50; H01R 13/506; H01R
13/5213; H01R 25/006; H02J 7/025;
H02J 7/0042; H02J 7/0044; H02J 7/0045;
H02J 7/0003; H01H 21/00; H01H 21/04;
H01H 23/00; H01H 71/02

See application file for complete search history.

(56) **References Cited**

U.S. PATENT DOCUMENTS

3,140,344 A * 7/1964 Slater H01R 13/447
174/67

4,874,906 A * 10/1989 Shotey H02G 3/088
174/67

D342,233 S * 12/1993 Berlin D13/156

(Continued)

OTHER PUBLICATIONS

“Taymac 1-Gang Multi-directional While In Use Weatherproof
Cover.” Zoro., Apr. 23, 2018 [online], [retrieved on Feb. 4, 2023].
Retrieved from the Internet <URL: <https://www.zoro.com/taymac-1-gang-multi-directional-while-in-use-weatherproof-cover-4-w-mm410g/i/G4994315/?recommended=true>>.*

(Continued)

Primary Examiner — Darlington Ly

(57) **CLAIM**

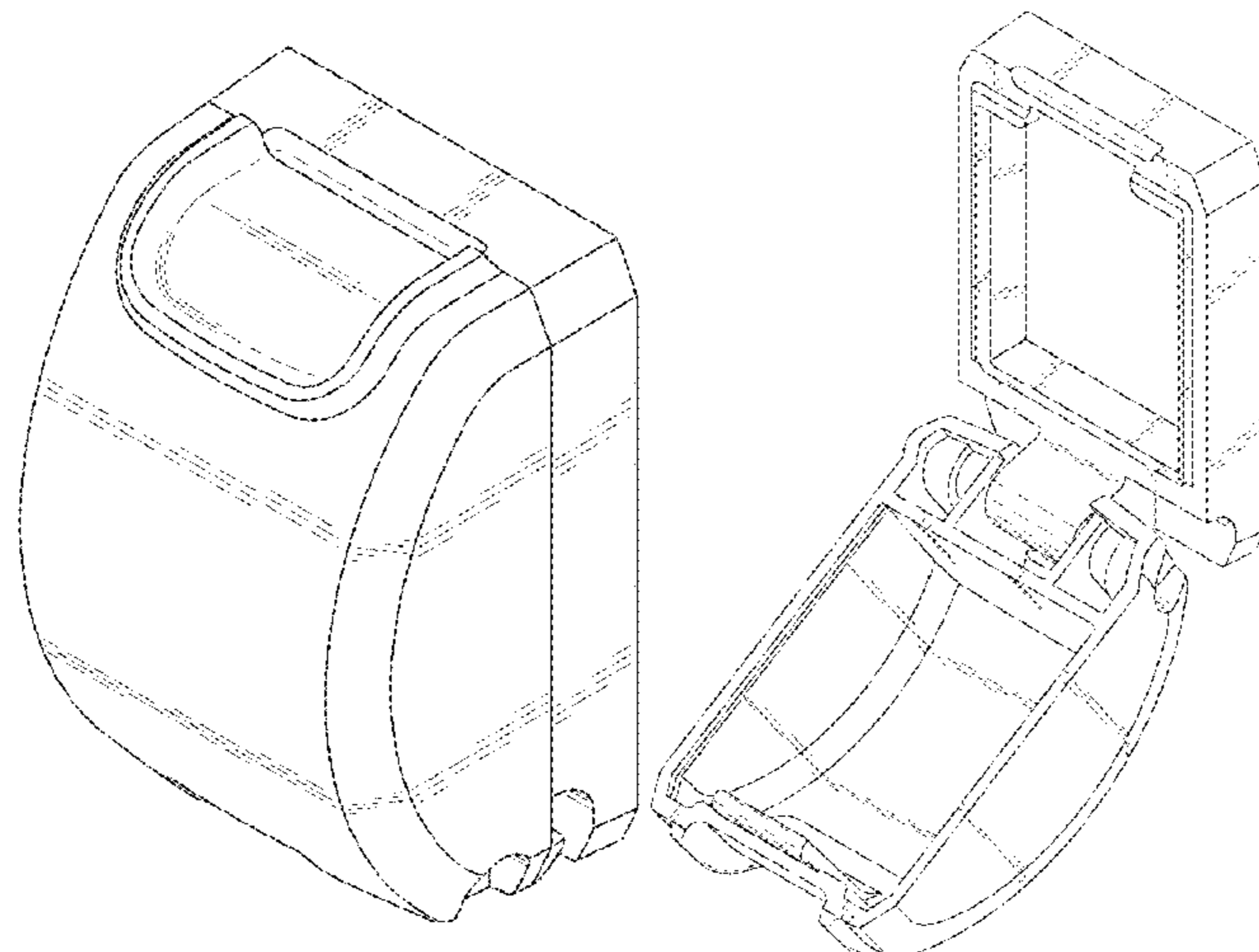
The ornamental design for a cover for electrical plugs, as
shown and described.

DESCRIPTION

1. Cover for electrical plugs
1.1 is a front and right side perspective view of a cover for
electrical plugs embodying our new design;
1.2 is a front elevation view thereof;
1.3 is a rear elevation view thereof;
1.4 is a top plan view thereof;
1.5 is a bottom plan view thereof;
1.6 is a right side elevation view thereof;
1.7 is a left side elevation view thereof;
1.8 is a front and right side perspective view thereof, with
the lid opened;
1.9 is a front elevation view thereof, with the lid opened;
1.10 is a rear elevation view thereof, with the lid opened;
1.11 is a top plan view thereof, with the lid opened;
1.12 is a bottom plan view thereof, with the lid opened;
1.13 is a right side elevation view thereof, with the lid
opened; and
1.14 is a left side elevation view thereof, with the lid opened.
Reproductions 1.1 to 1.7 indicate the closed state of the lid
of the product; reproductions 1.8-1.14 indicate the open state
of the lid of the product.

The broken lines illustrate portions of the cover electrical
plugs which form no part of the claimed design.

1 Claim, 14 Drawing Sheets



(56)

References Cited

U.S. PATENT DOCUMENTS

D395,283 S * 6/1998 Monaco D13/156
 D418,114 S * 12/1999 Hayduke D13/156
 6,028,268 A * 2/2000 Stark H02B 1/50
 174/67
 6,806,426 B1 * 10/2004 Gretz H02G 3/14
 174/67
 7,115,820 B1 * 10/2006 Gretz H02G 3/123
 174/53
 7,241,952 B2 * 7/2007 Dinh H02G 3/088
 174/67
 D556,145 S * 11/2007 Williams D13/152
 7,626,121 B1 * 12/2009 Cleghorn H02G 3/14
 174/67
 7,763,799 B2 * 7/2010 Johnson H02G 3/088
 174/67
 8,017,865 B1 * 9/2011 Baldwin H02G 3/14
 174/67

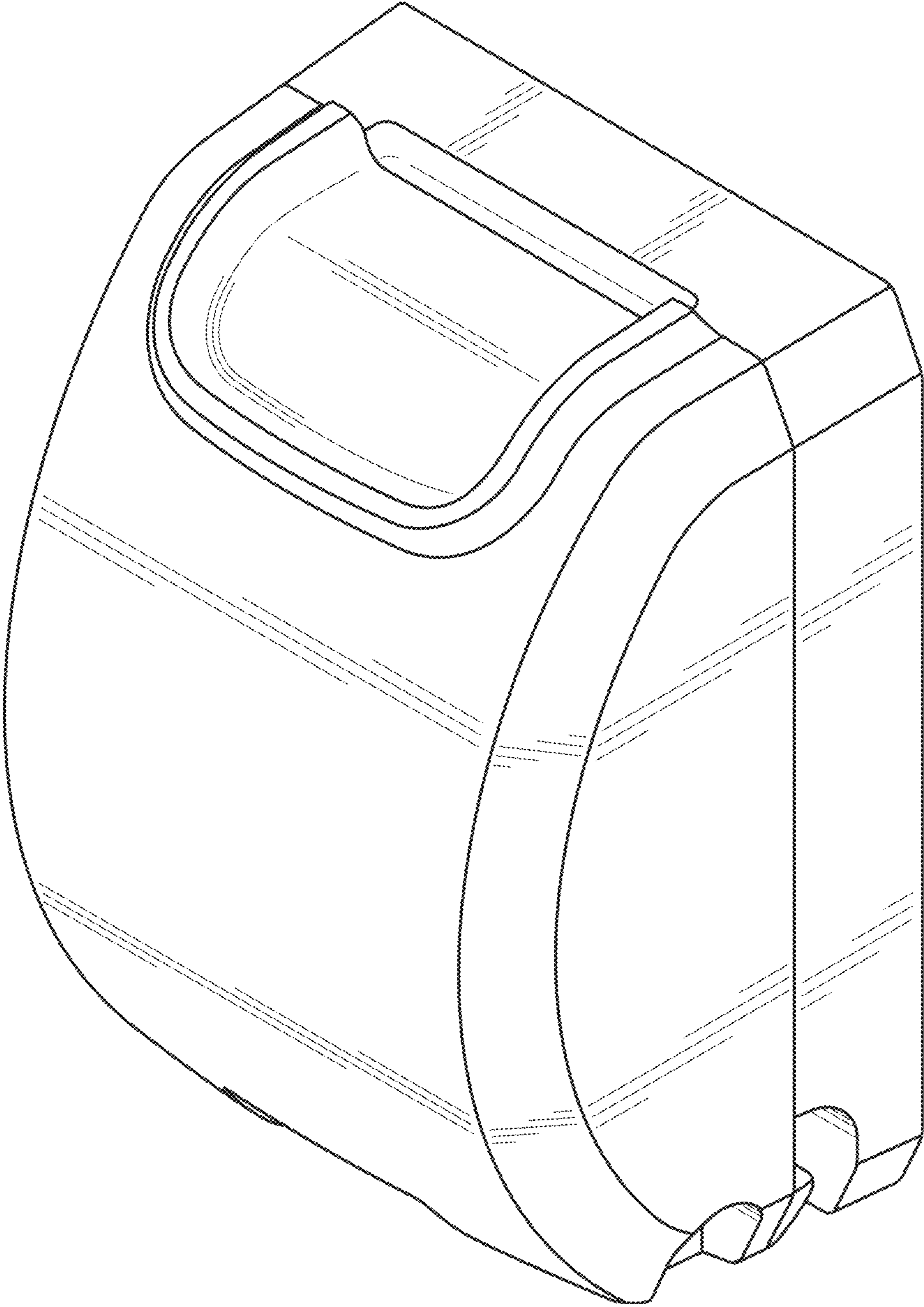
D690,274 S * 9/2013 Greaney D13/156
 D783,542 S * 4/2017 Marsden H01R 13/447
 D13/156
 D837,742 S * 1/2019 Leung D13/152
 D845,904 S * 4/2019 Zaurrini D13/156
 D894,130 S * 8/2020 Byrne D13/139.1
 11,404,228 B2 * 8/2022 Willis H01H 23/24

OTHER PUBLICATIONS

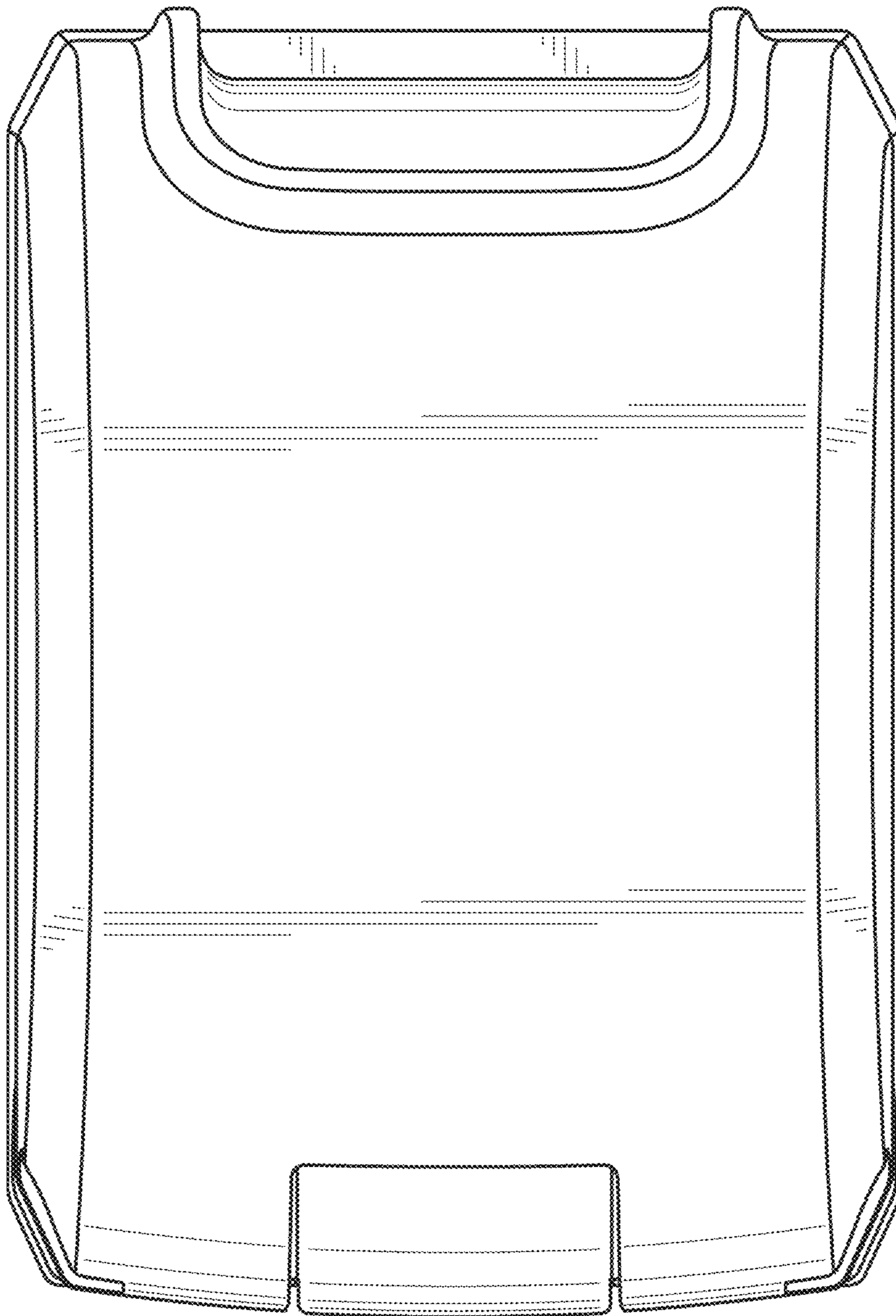
“Red Dot #CKNM Weatherproof Receptacle Cover, 5.50 in. H ×4.00 in. W ×2.75 in. D, Thermoplastic, Transparen.” Wesco., Dec. 7, 2016 [online], [retrieved on Feb. 4, 2023]. Retrieved from the Internet <URL: <https://buy.wesco.com/Electrical-and-Power-Distribution/Electrical-Boxes-and-Covers/Weatherproof-Outlet-Boxes->-and-Covers/Weatherproof-While-In-Use-Covers/RED-DOT/Weatherproof-Receptacle-Cover-5-50-in-H-x-4-00-in-W-x-2-75-in-D-Thermoplastic-Transparent/CKNM/p/04226900344-1>>.*

* cited by examiner

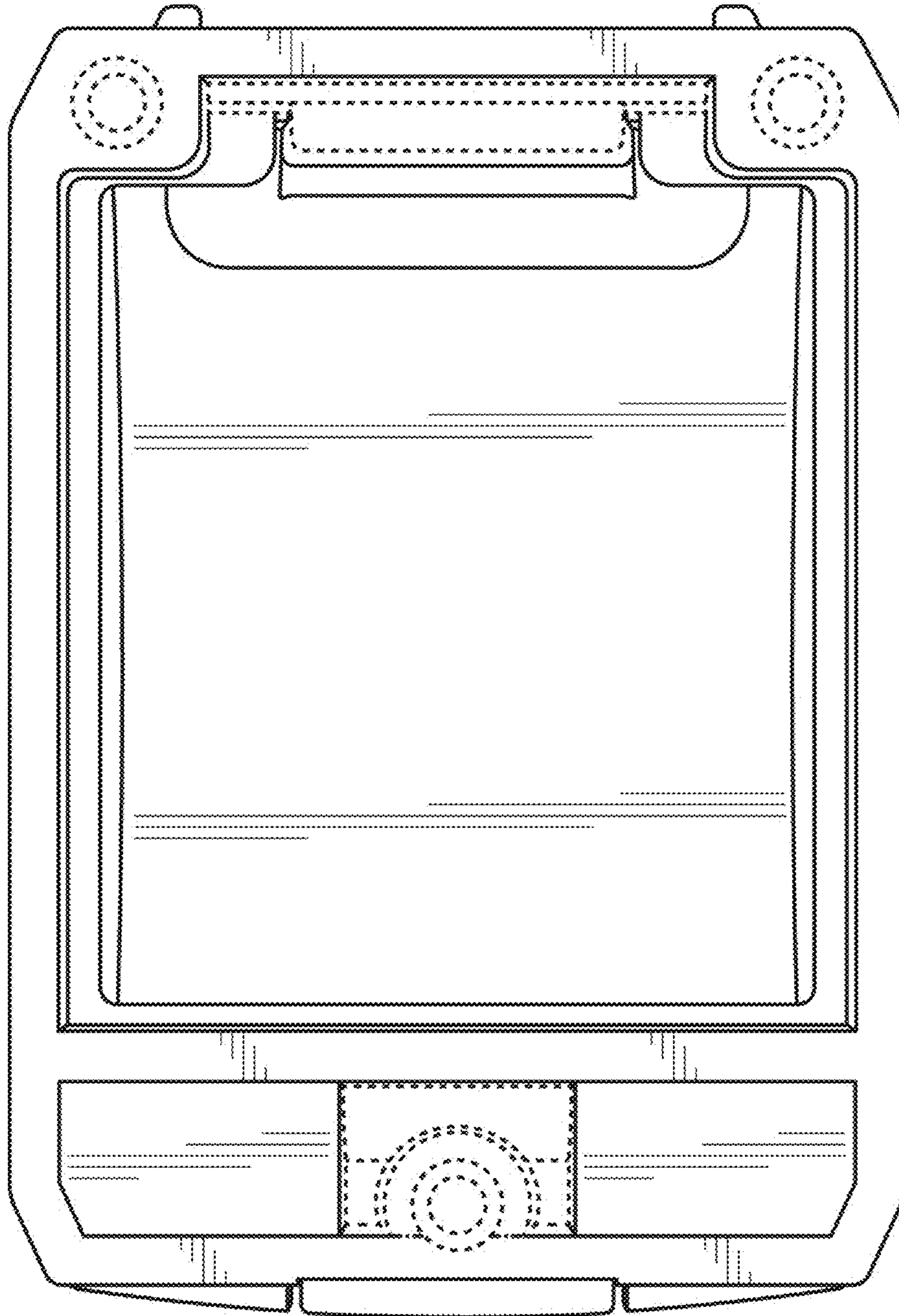
1.1



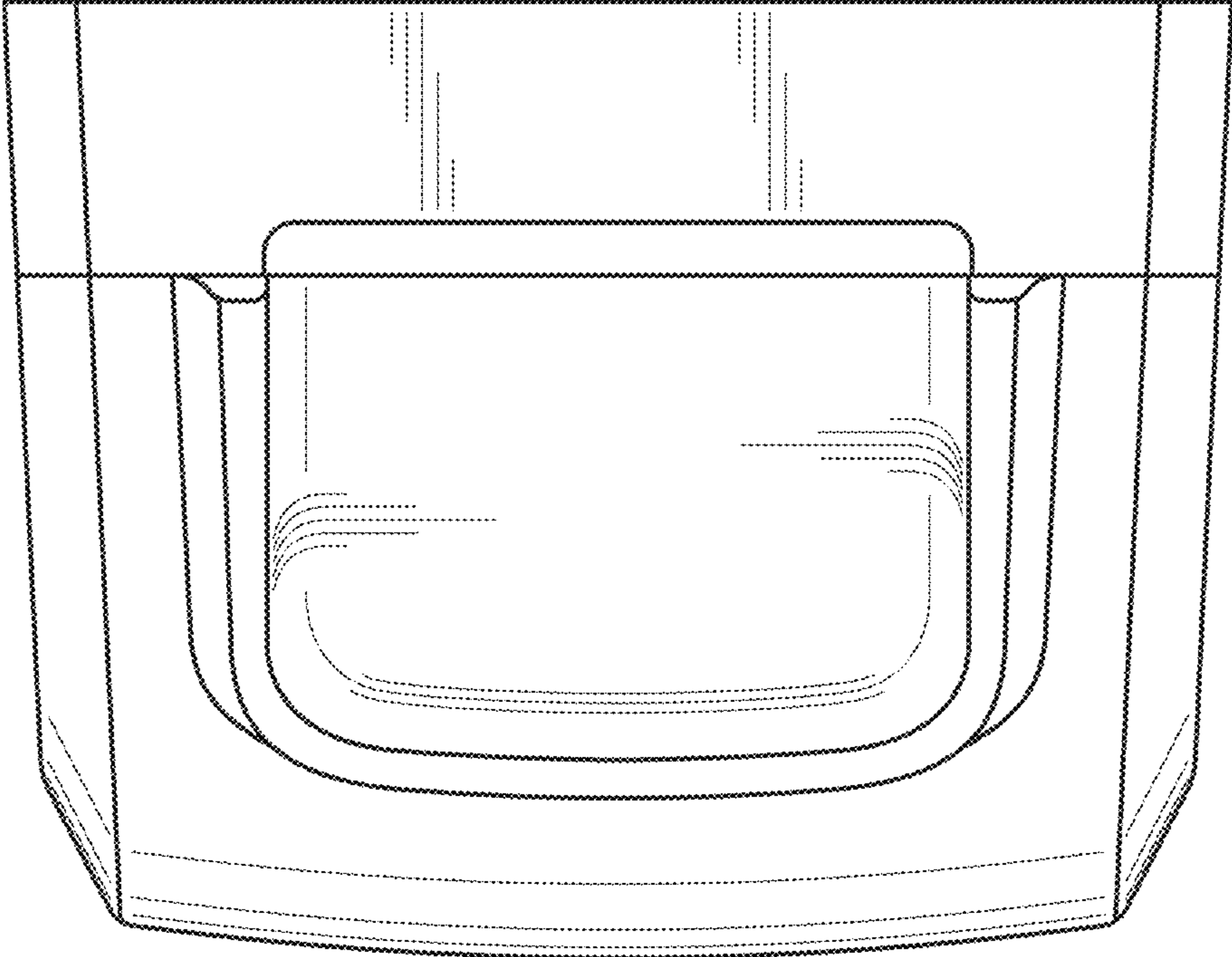
1.2



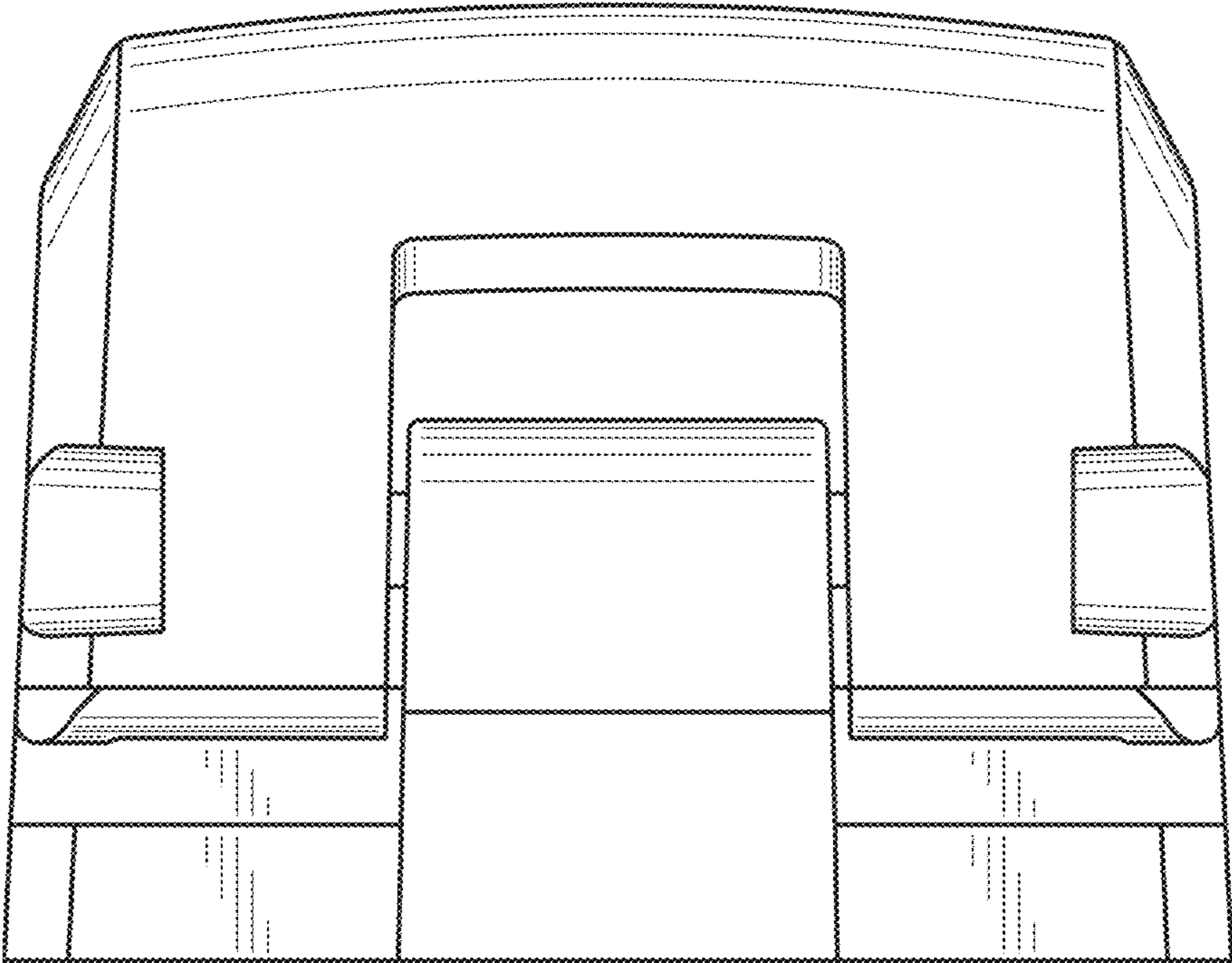
1.3



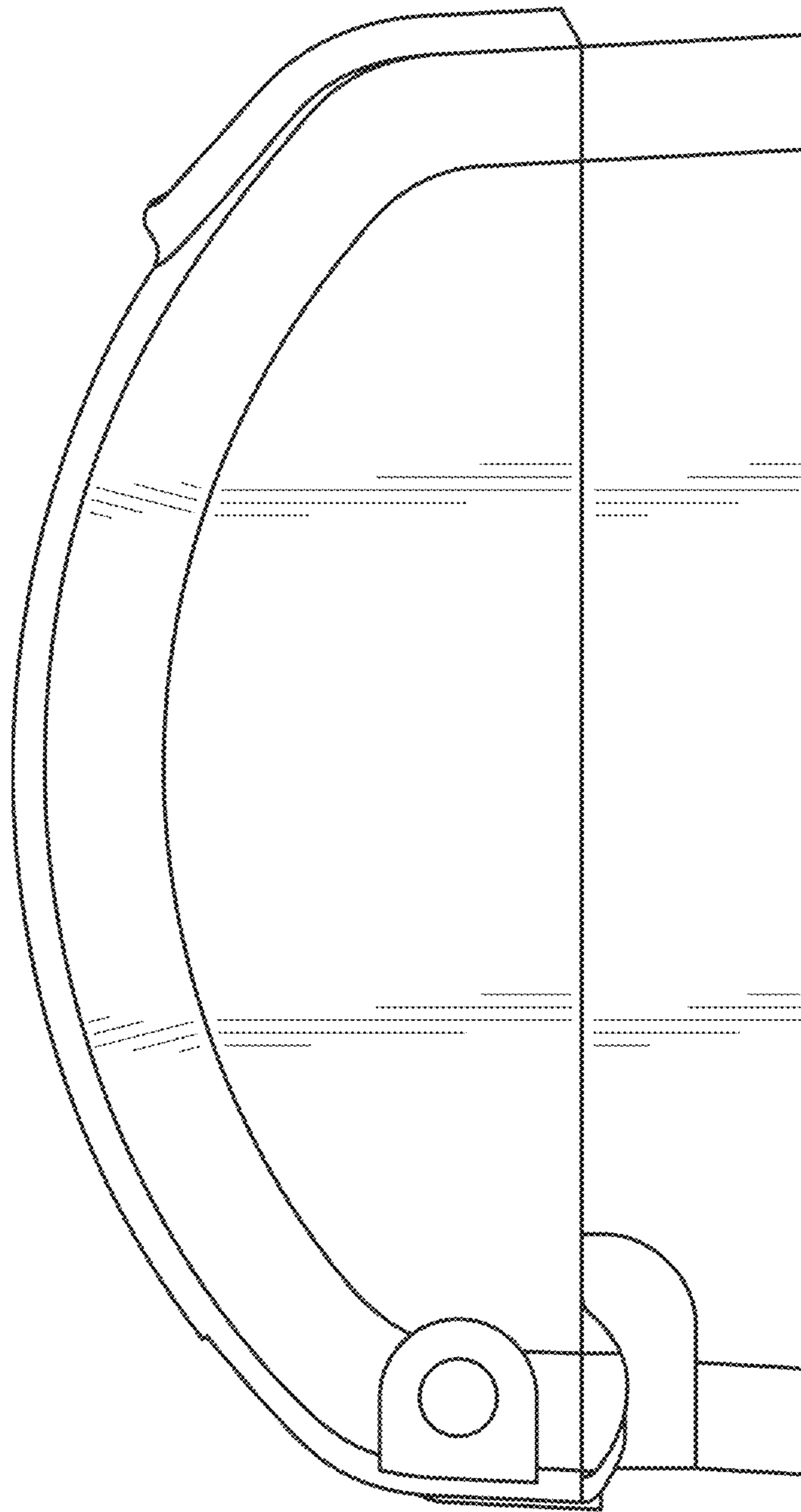
1.4

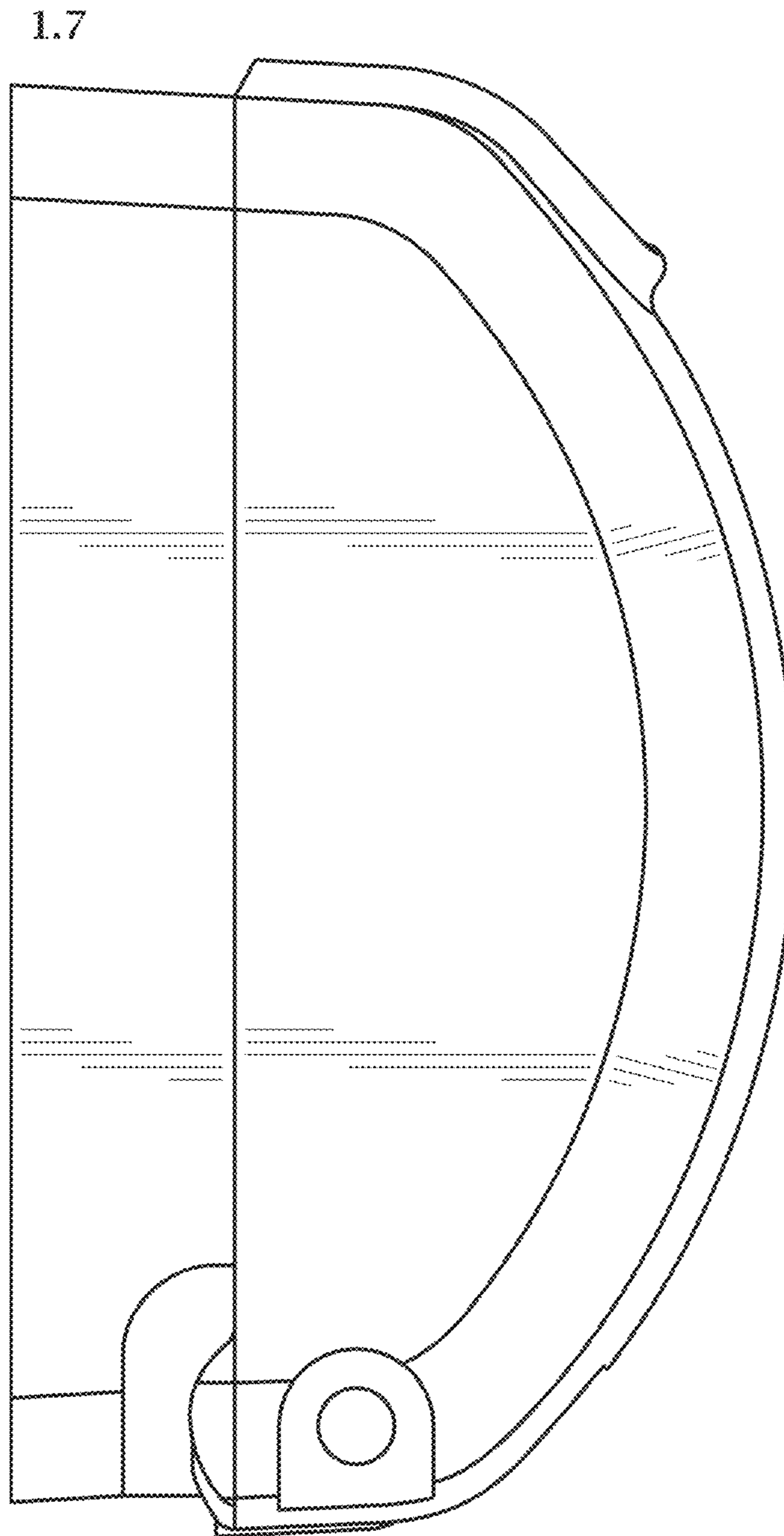


1.5

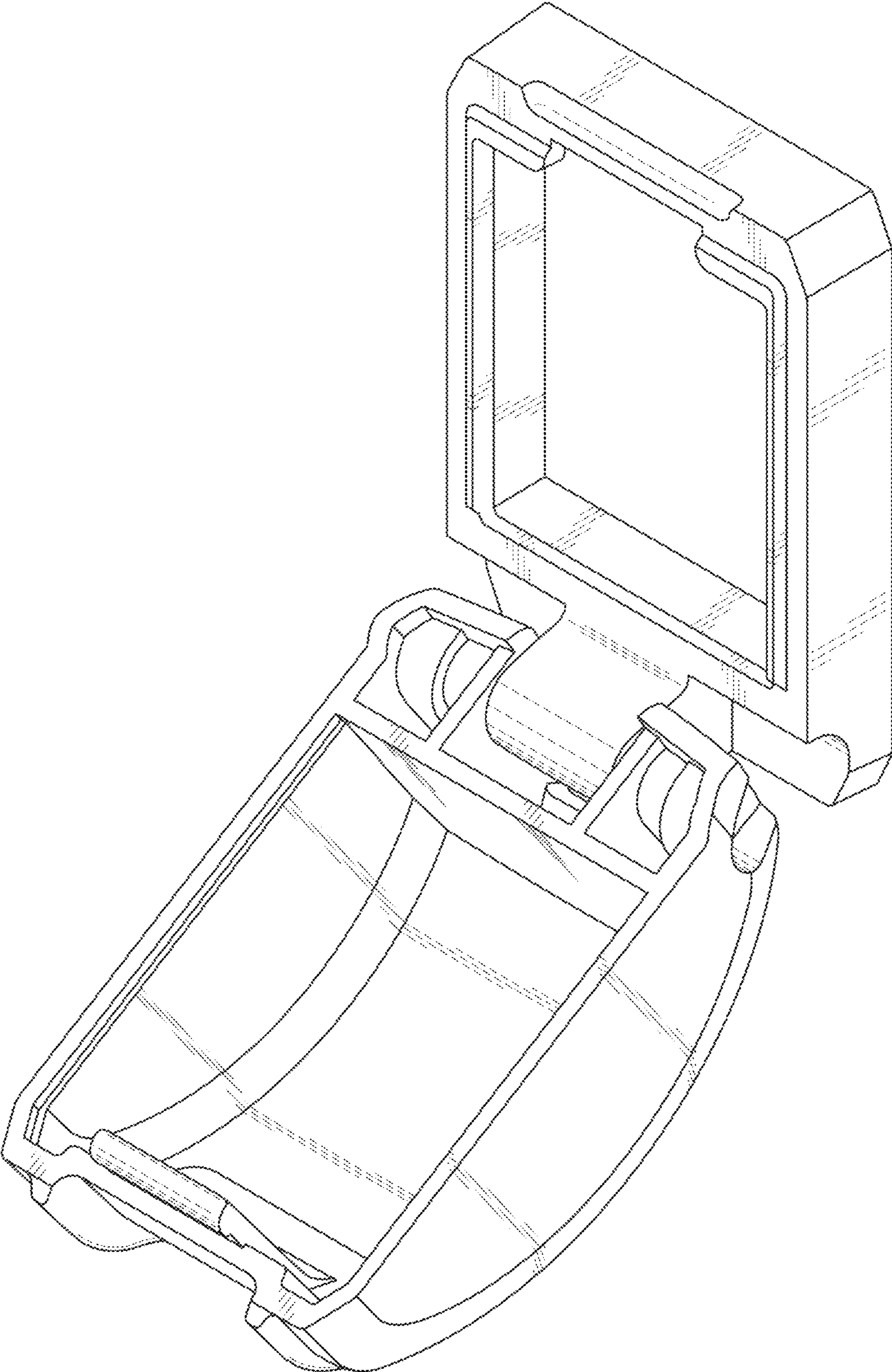


1.6

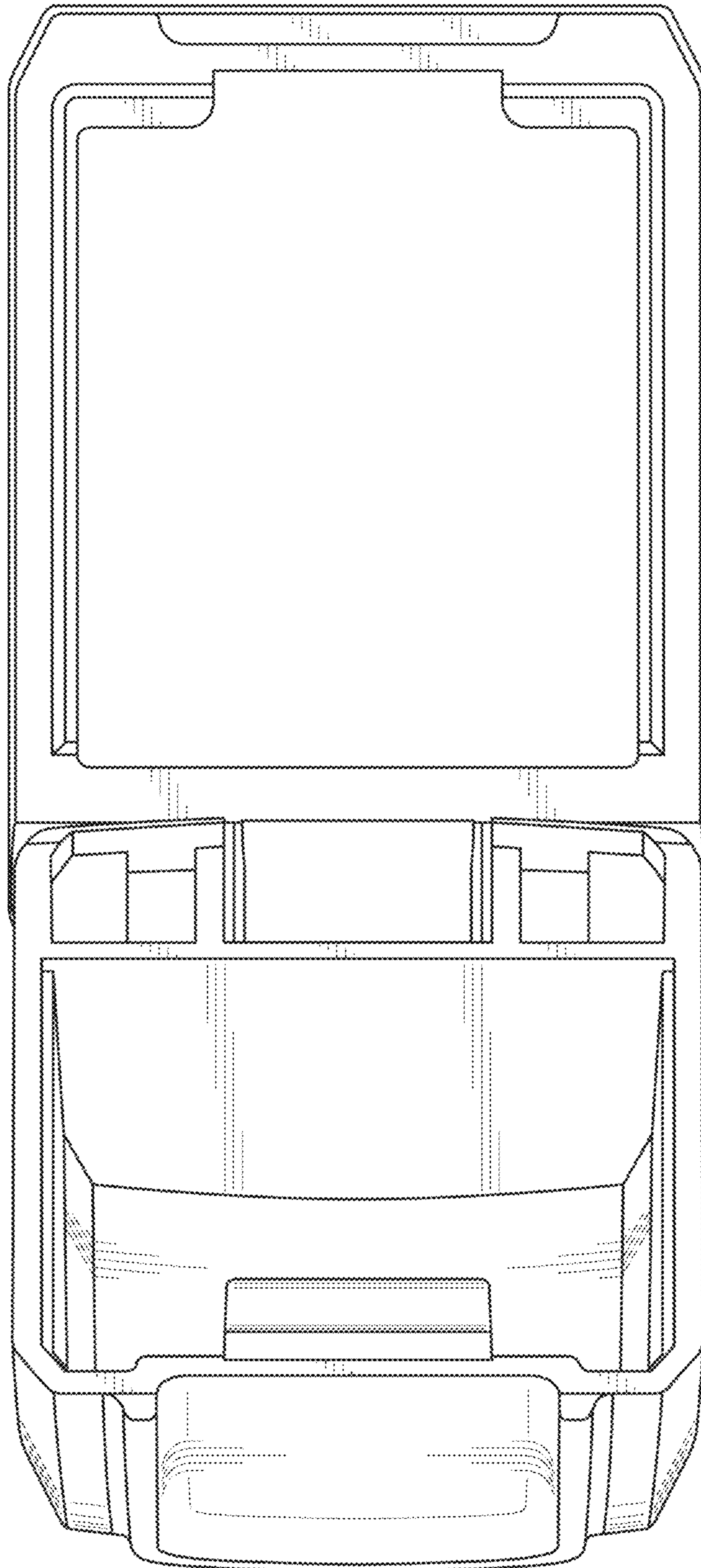




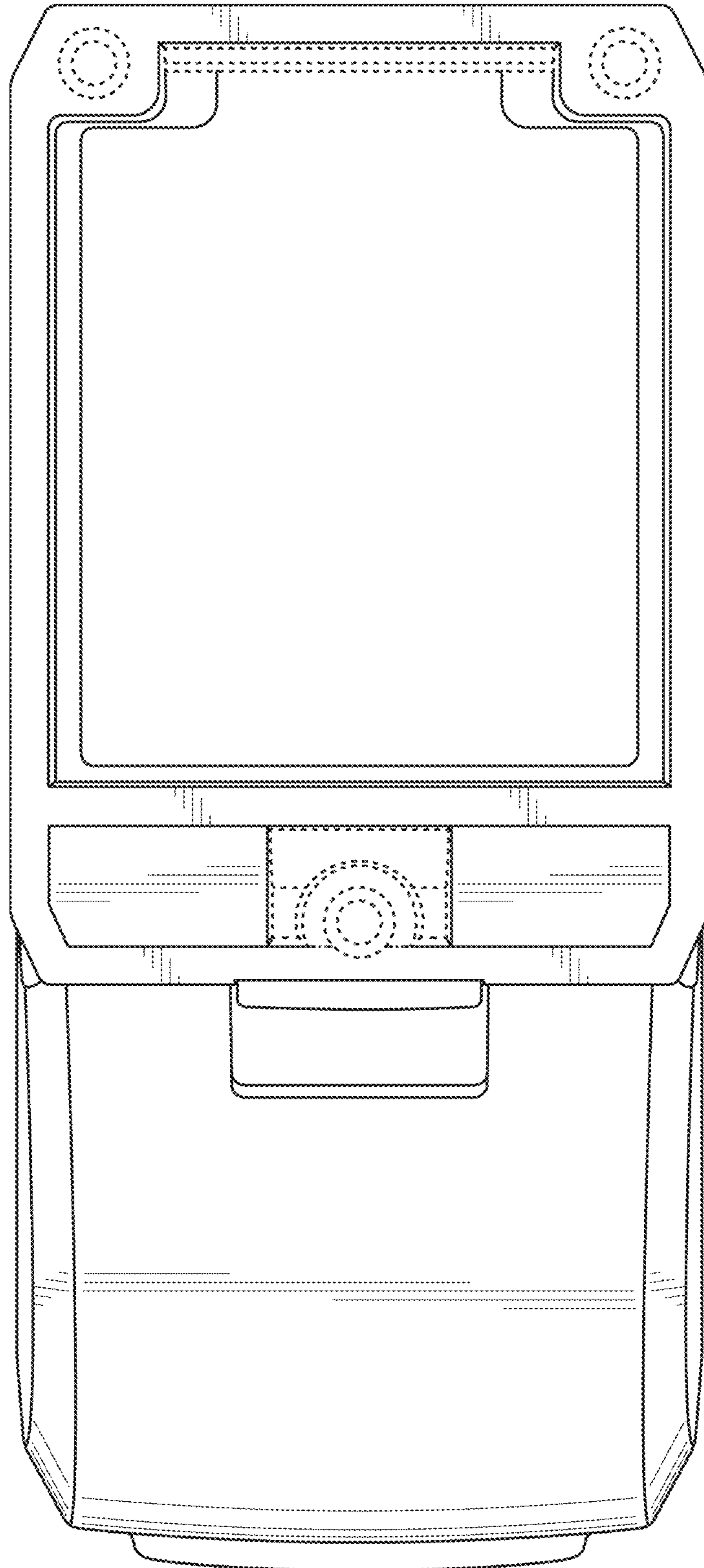
1.8



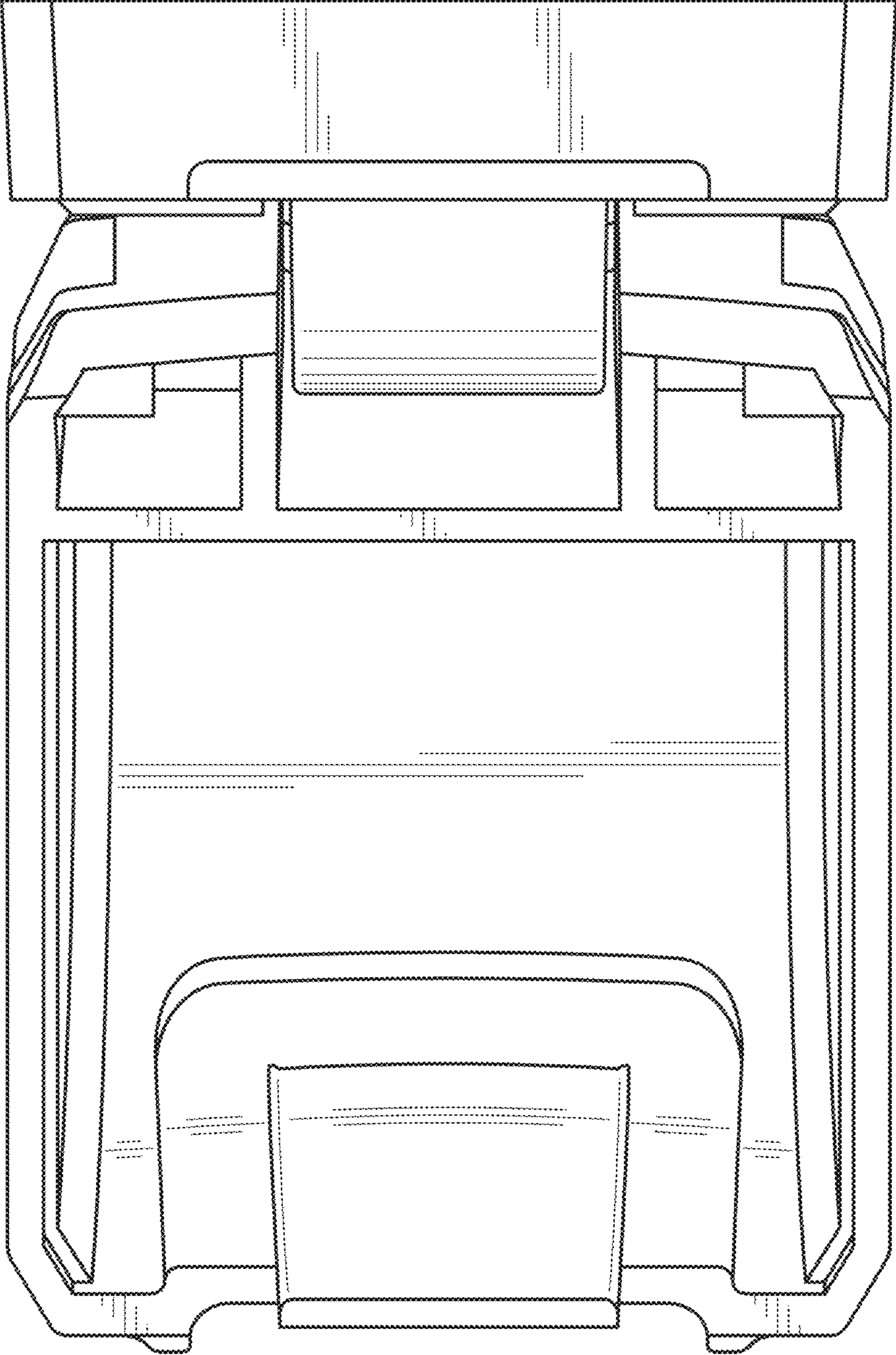
1.9



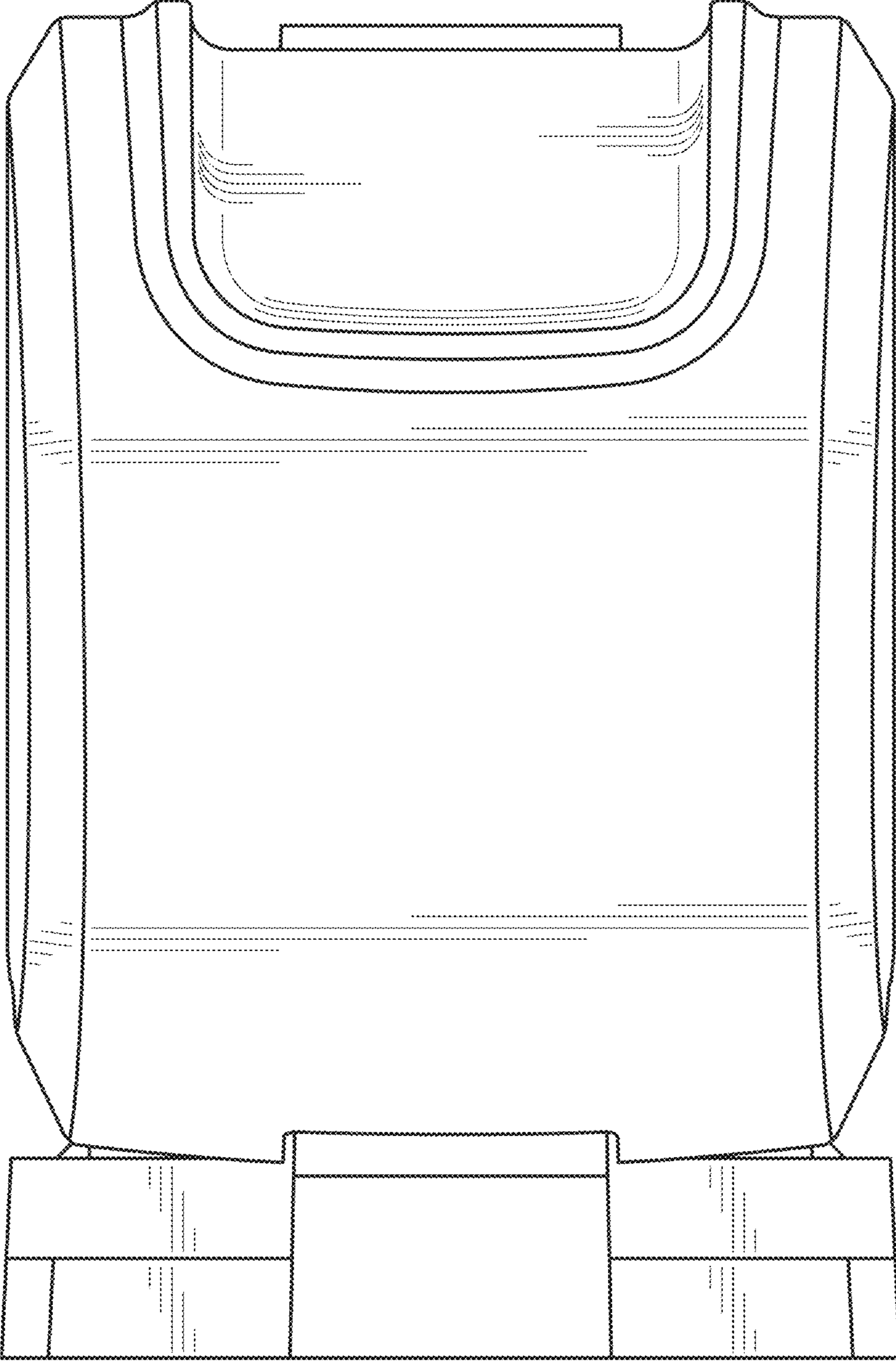
1.10



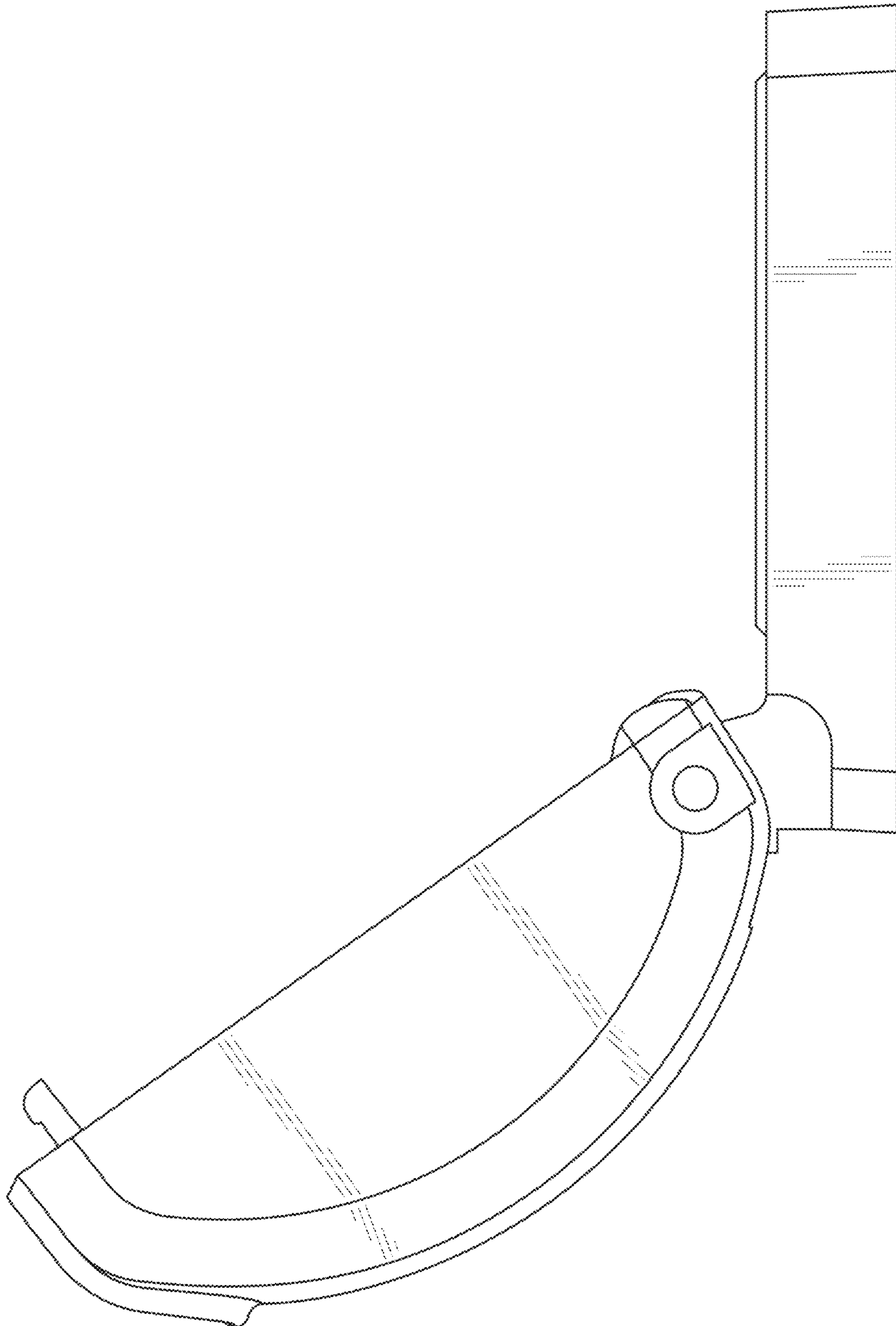
1.11



1.12



1.13



1.14

