



US00D987579S

(12) **United States Design Patent** (10) **Patent No.:** **US D987,579 S**
Zhou et al. (45) **Date of Patent:** **** May 30, 2023**

(54) **SOCKET**

FOREIGN PATENT DOCUMENTS

(71) Applicant: **GONGNIU GROUP CO., LTD.**, Cixi (CN)

CN 304980549 1/2019
CN 305737293 * 4/2020

(Continued)

(72) Inventors: **Hao Zhou**, Cixi (CN); **Longjie He**, Cixi (CN); **Feilong Zhou**, Cixi (CN)

OTHER PUBLICATIONS

(73) Assignee: **GONGNIU GROUP CO., LTD.**, Cixi (CN)

“2pcs New America 120V 20A 3 pole Nema 5-20P us Industry wiring power plug In-line power cord connector locked converter plug”, first accessed Apr. 14, 2022. AliExpress.com [https://www.aliexpress.com/i/32515371563.html] (Year: 2022).*

(**) Term: **15 Years**

(Continued)

(21) Appl. No.: **29/766,546**

(22) Filed: **Jan. 15, 2021**

Primary Examiner — Rosemary K Tarcza

Assistant Examiner — Seth David Kumpf

(30) **Foreign Application Priority Data**

(74) *Attorney, Agent, or Firm* — Knobbe, Martens, Olson & Bear, LLP

Jul. 17, 2020 (CN) 202030390881.9

(51) **LOC (14) Cl.** **13-03**

(57) **CLAIM**

(52) **U.S. Cl.**

The ornamental design for a socket, as shown and described.

USPC **D13/139.1**

(58) **Field of Classification Search**

DESCRIPTION

USPC ... D13/123, 133, 137.1, 137.2, 137.3, 137.4, D13/138.1, 138.2, 139.1, 139.2, 139.3, D13/139.4, 139.5, 139.6, 139.7, 139.8, D13/151, 152, 153, 154, 155, 156, 157, D13/158, 159, 184, 199, 103, 107, 108
CPC H01R 13/00; H01R 13/03; H01R 13/04; H01R 13/10; H01R 13/35; H01R 13/44; H01R 13/453; H01R 13/4534; H01R 13/502; H01R 13/514; H01R 13/631; H01R

FIG. 1 is a front view of a socket showing our new design; FIG. 2 is a rear view thereof; FIG. 3 is a left side view thereof; FIG. 4 is a right side view thereof; FIG. 5 is a top plan view thereof; FIG. 6 is a bottom plan view thereof; FIG. 7 is a front perspective view thereof; FIG. 8 is an enlarged view of the portion labeled “FIG. 8” shown in FIG. 5; and, FIG. 9 is an enlarged view of the portion labeled “FIG. 9” shown in FIG. 5.

(Continued)

The broken lines show portions of the socket that form no part of the claimed design. The shading lines shown in the drawings represent the approximate three-dimensional contour of the design and are not intended to indicate surface decoration.

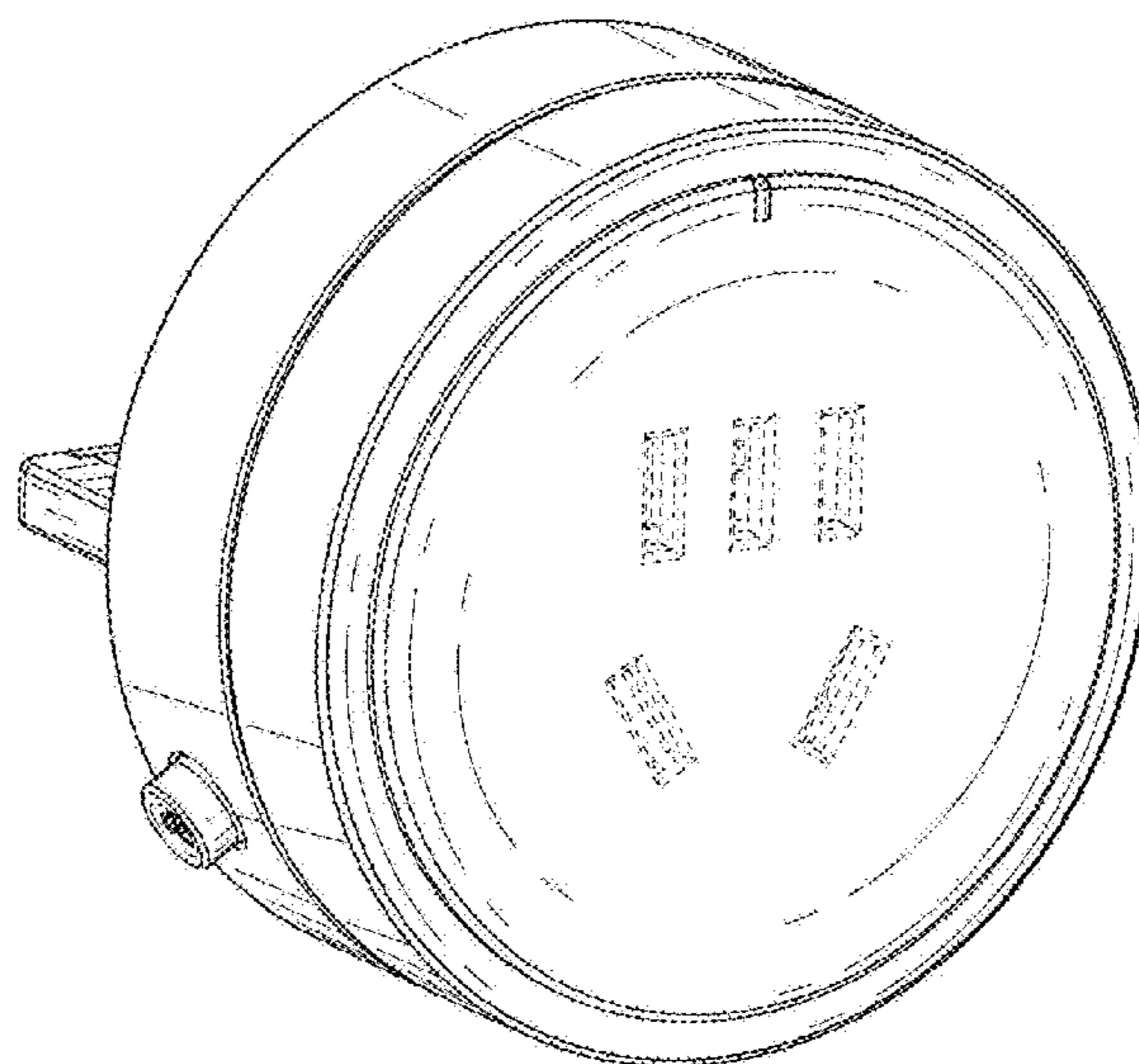
(56) **References Cited**

U.S. PATENT DOCUMENTS

D195,463 S * 6/1963 Tamarin D8/358
D375,292 S * 11/1996 D’Amato D13/137.1

(Continued)

1 Claim, 9 Drawing Sheets



(58) **Field of Classification Search**

CPC 13/639; H01R 13/6633; H01R 13/6666;
H01R 13/6675; H01R 13/7135; H01R
31/02; H01R 31/06; H01R 31/065

See application file for complete search history.

FOREIGN PATENT DOCUMENTS

GB	6130320	*	4/2021
IN	270521-0001	*	11/2015

(56)

References Cited

U.S. PATENT DOCUMENTS

D549,650	S	*	8/2007	Russell	D13/137.2
D741,267	S	*	10/2015	Byrne	D13/139.1
D750,022	S	*	2/2016	Lin	D13/137.2
D826,858	S	*	8/2018	Little	D13/137.2
D826,859	S	*	8/2018	Little	D13/137.2
D836,555	S	*	12/2018	Xu	D13/137.2
D849,687	S	*	5/2019	Dai	D13/137.2
D851,596	S	*	6/2019	Koch	D13/137.2
D942,397	S	*	2/2022	Cai	D13/137.3
D944,208	S	*	2/2022	Yang	D13/137.3

OTHER PUBLICATIONS

“Smart Plug Amysen—A Certified & Alexa, Echo & Google Home—Only WiFi 2.4G (4-Pack)”, first available Jul. 15, 2021. Amazon.com [<https://www.amazon.com/dp/B08ZNGGWDS>] (Year: 2021).*

“Mini Smart Plug,WiFi Socket Works with Alexa and Google Home,Surge Protector Plug-in Outlet Remote Control and Timer Function, ETL FCC Listed, No Hub Required,2.4G Wi-Fi Only,10A 1200W,4-Pack,White”, first available Nov. 26, 2021. Amazon.com [<https://www.amazon.com/dp/B09MLT7WY1>] (Year: 2021).*

* cited by examiner

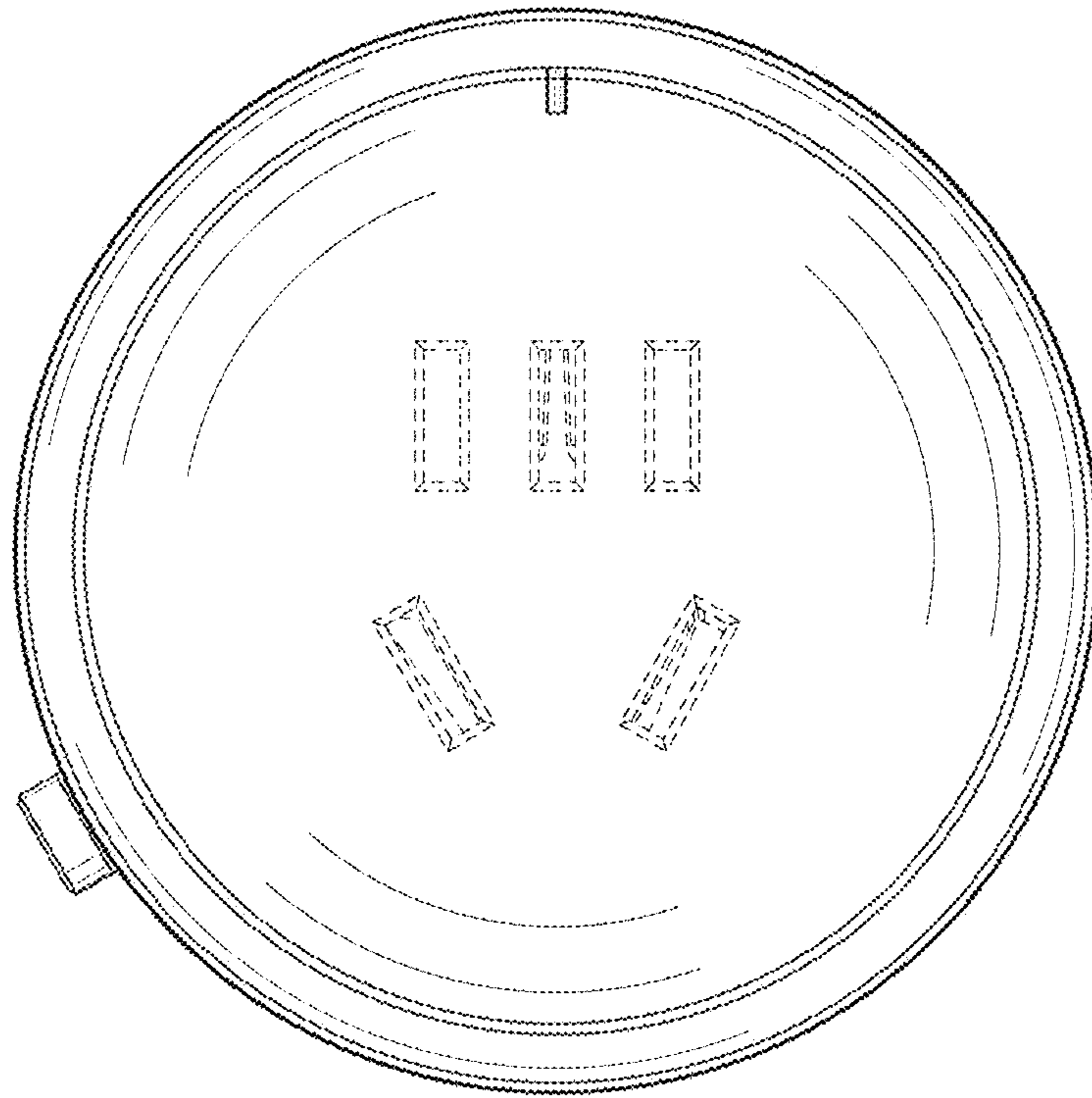


FIG. 1

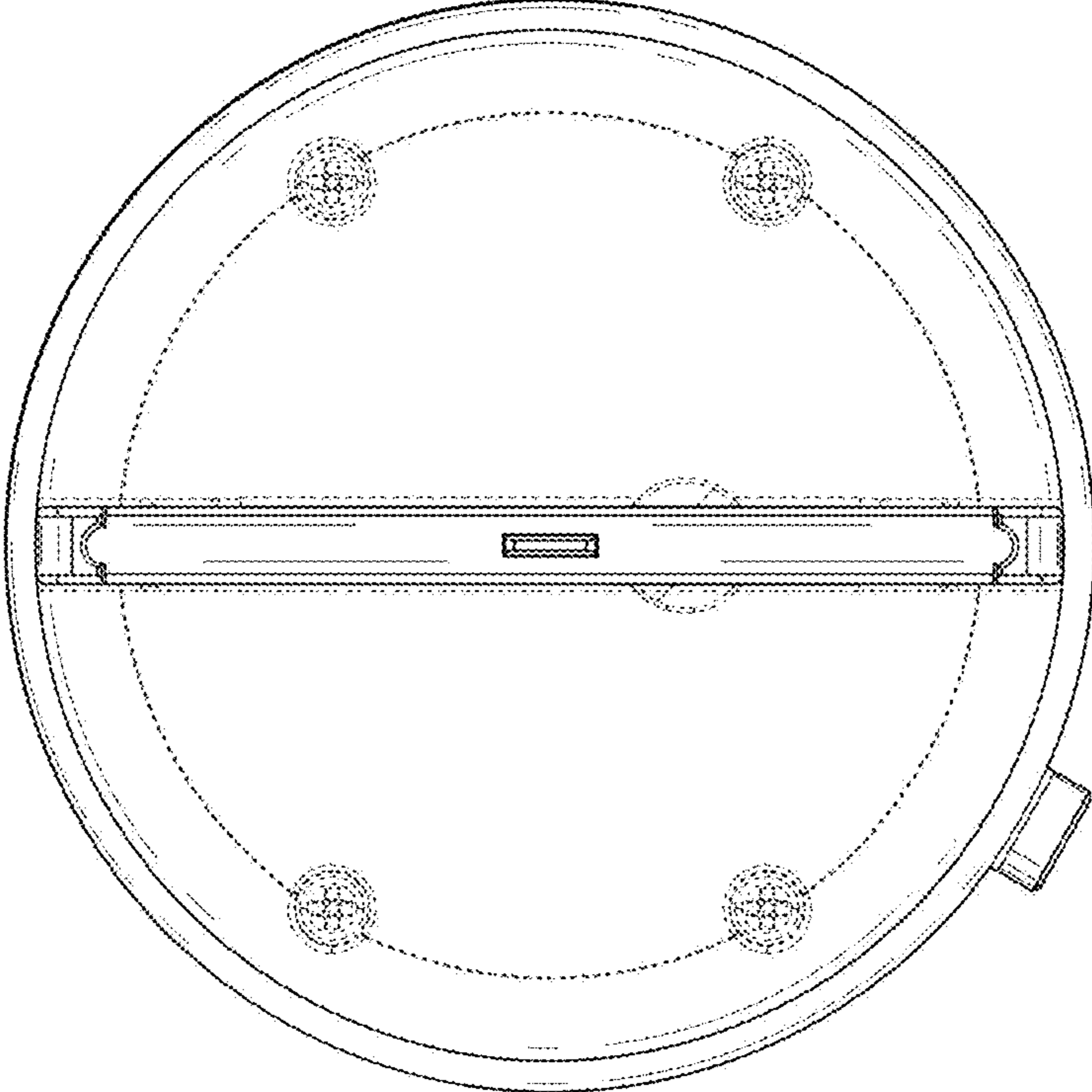


FIG. 2

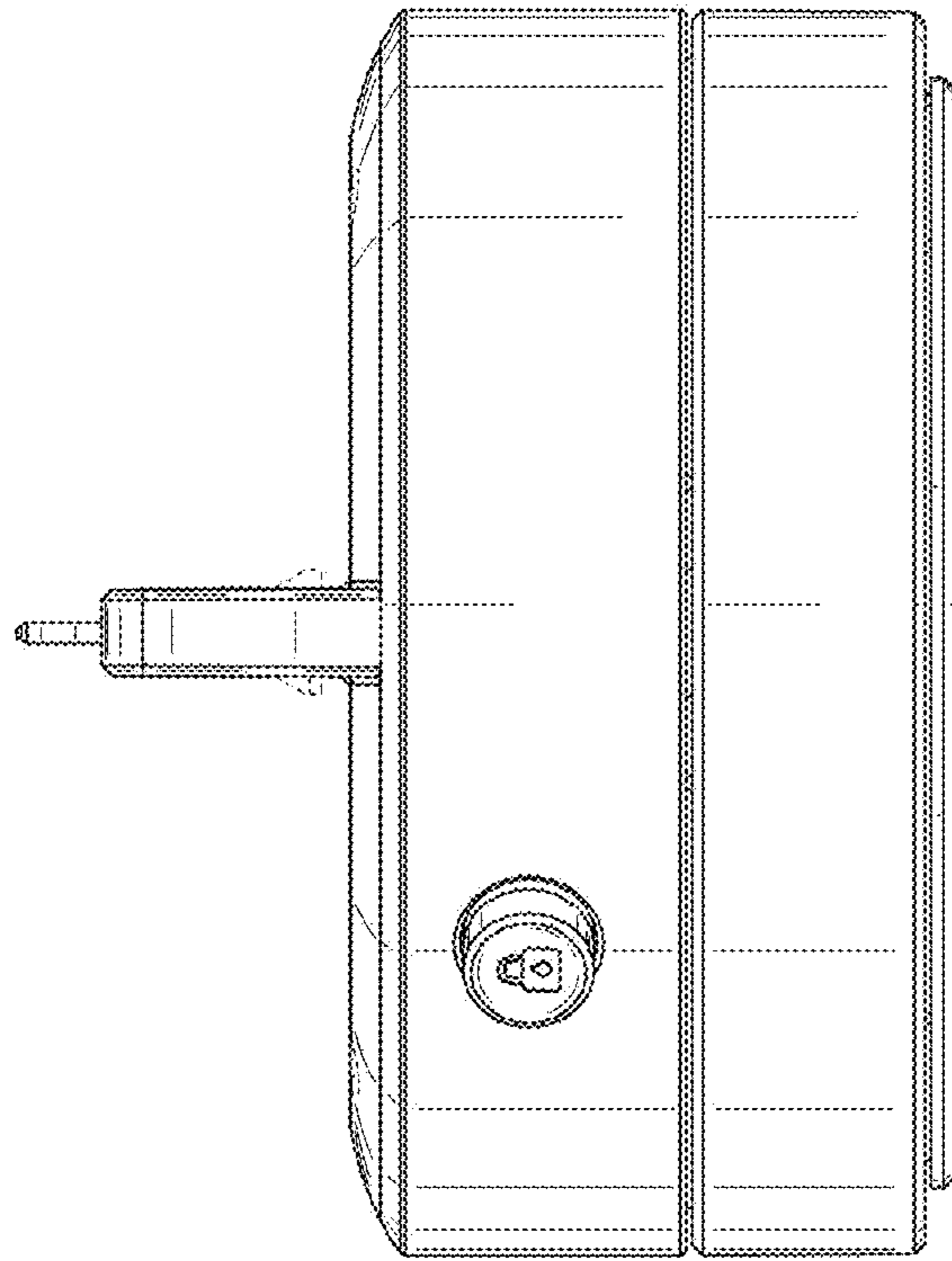


FIG. 3

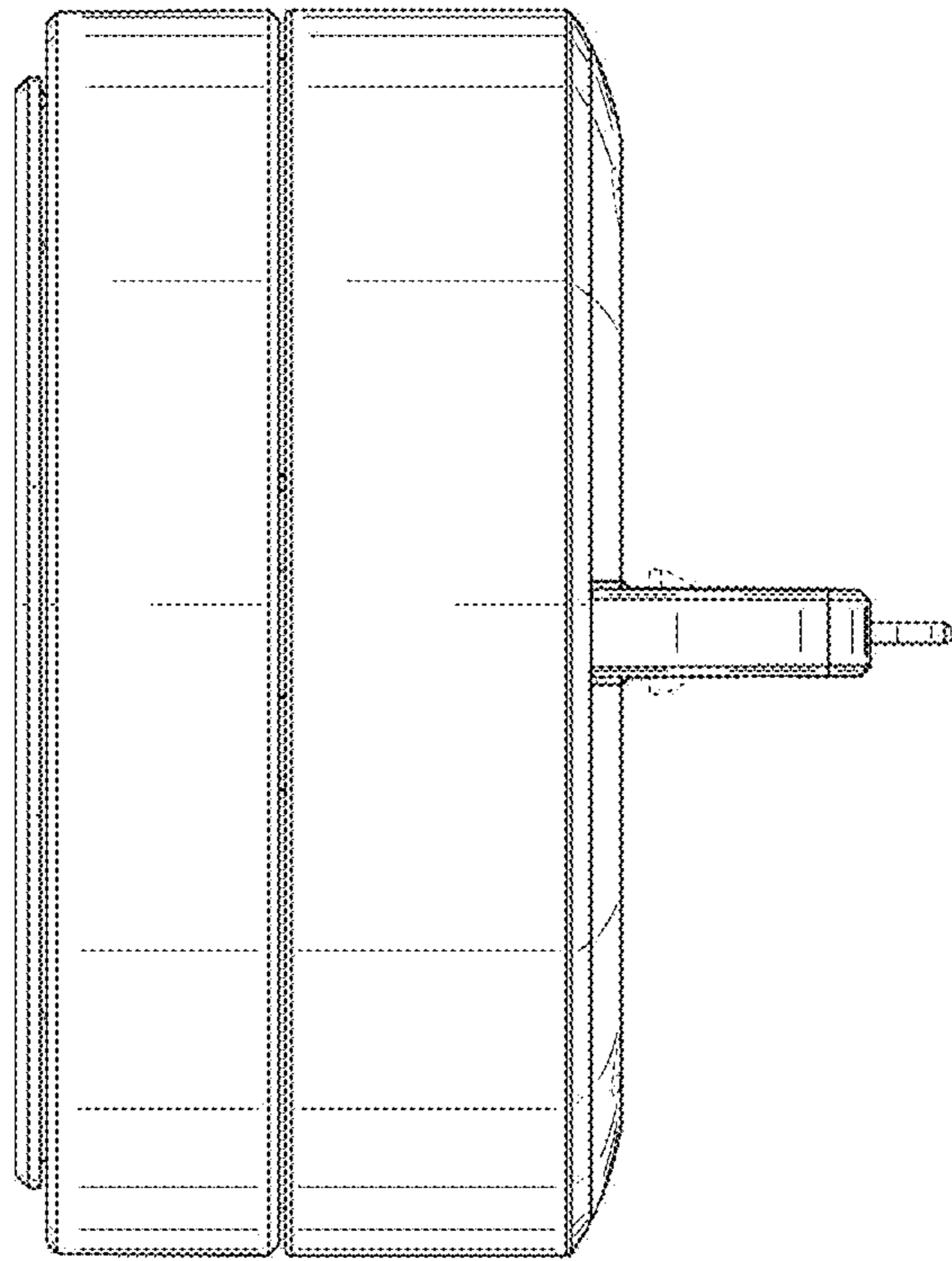


FIG. 4

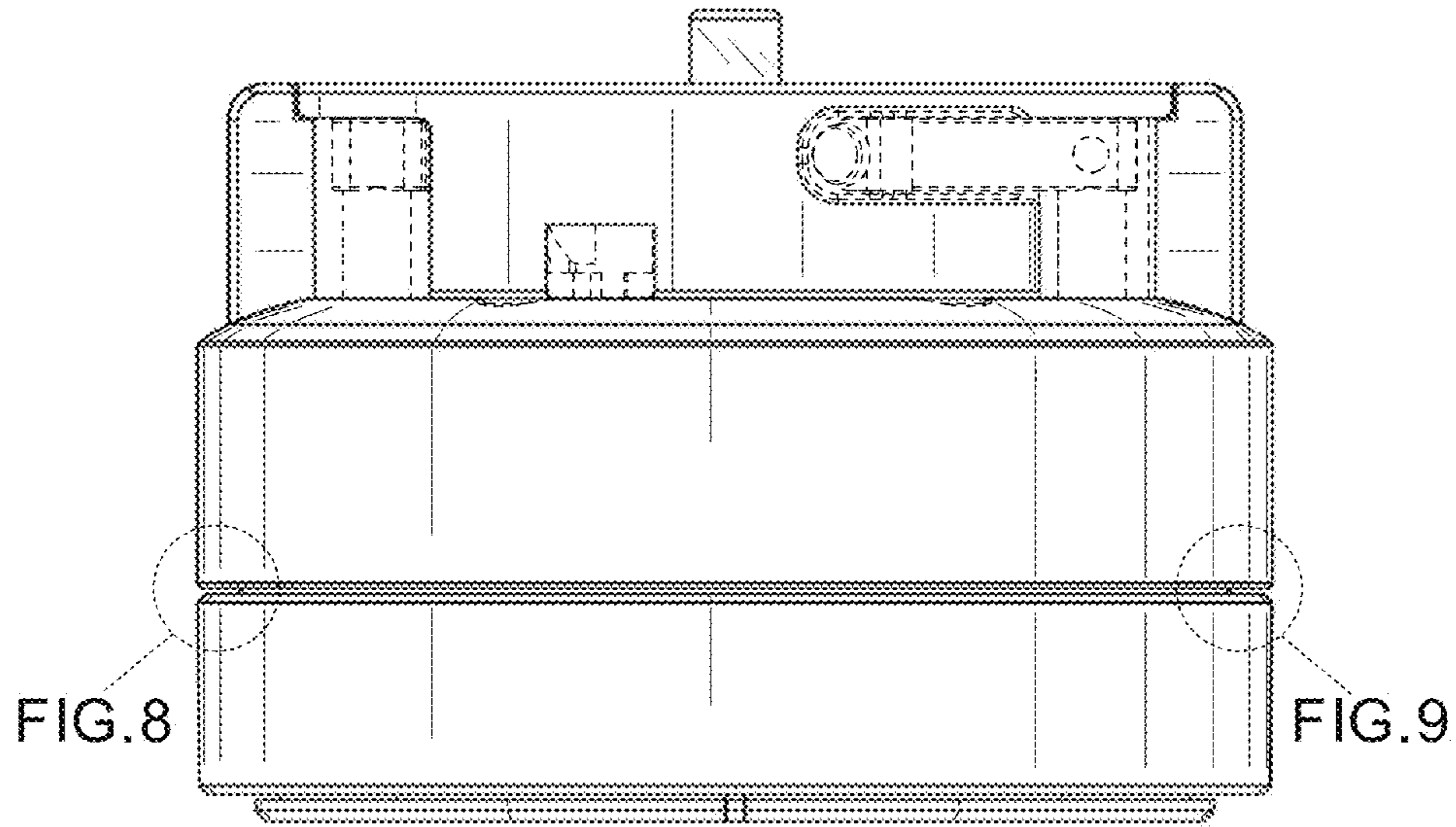


FIG. 5

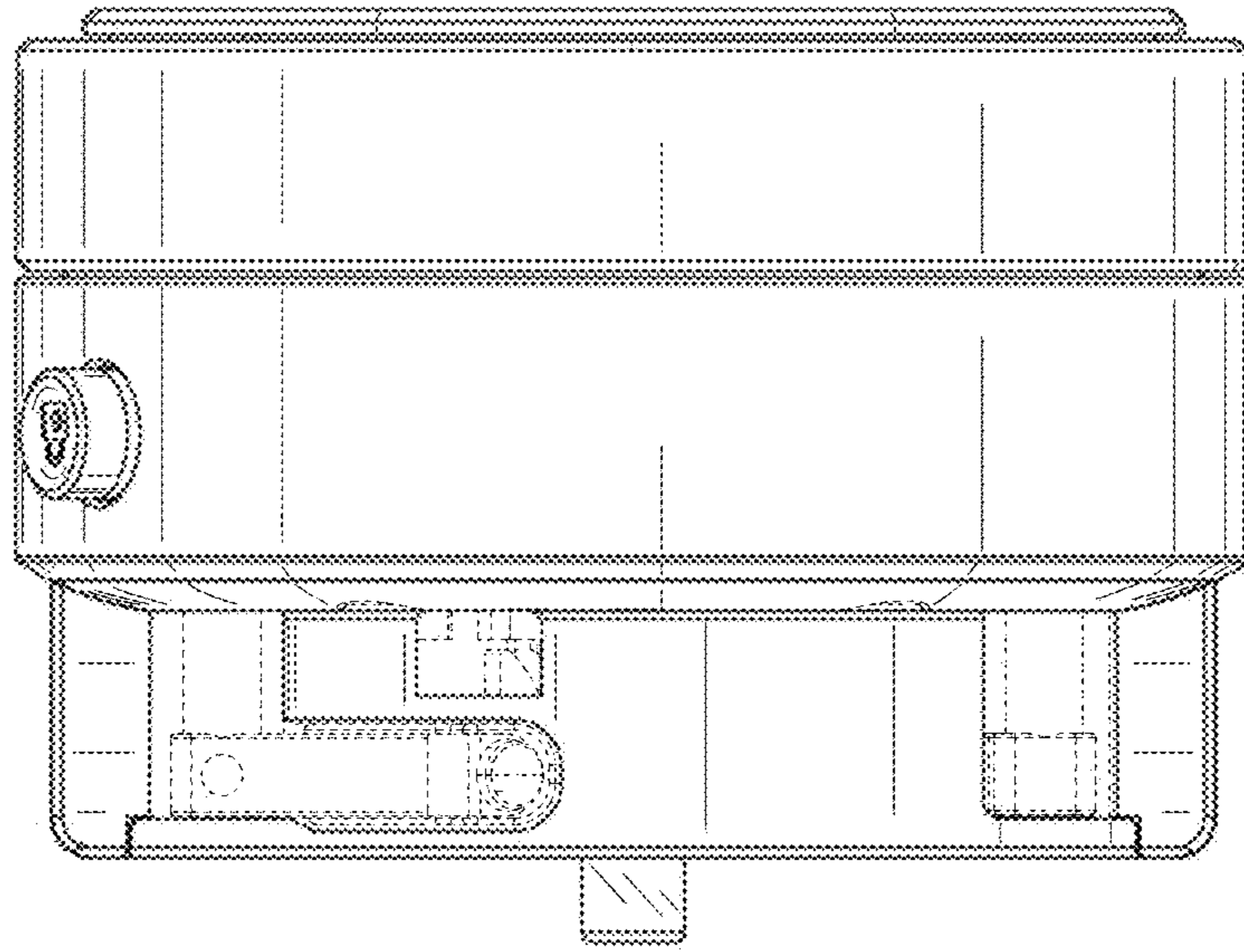


FIG. 6

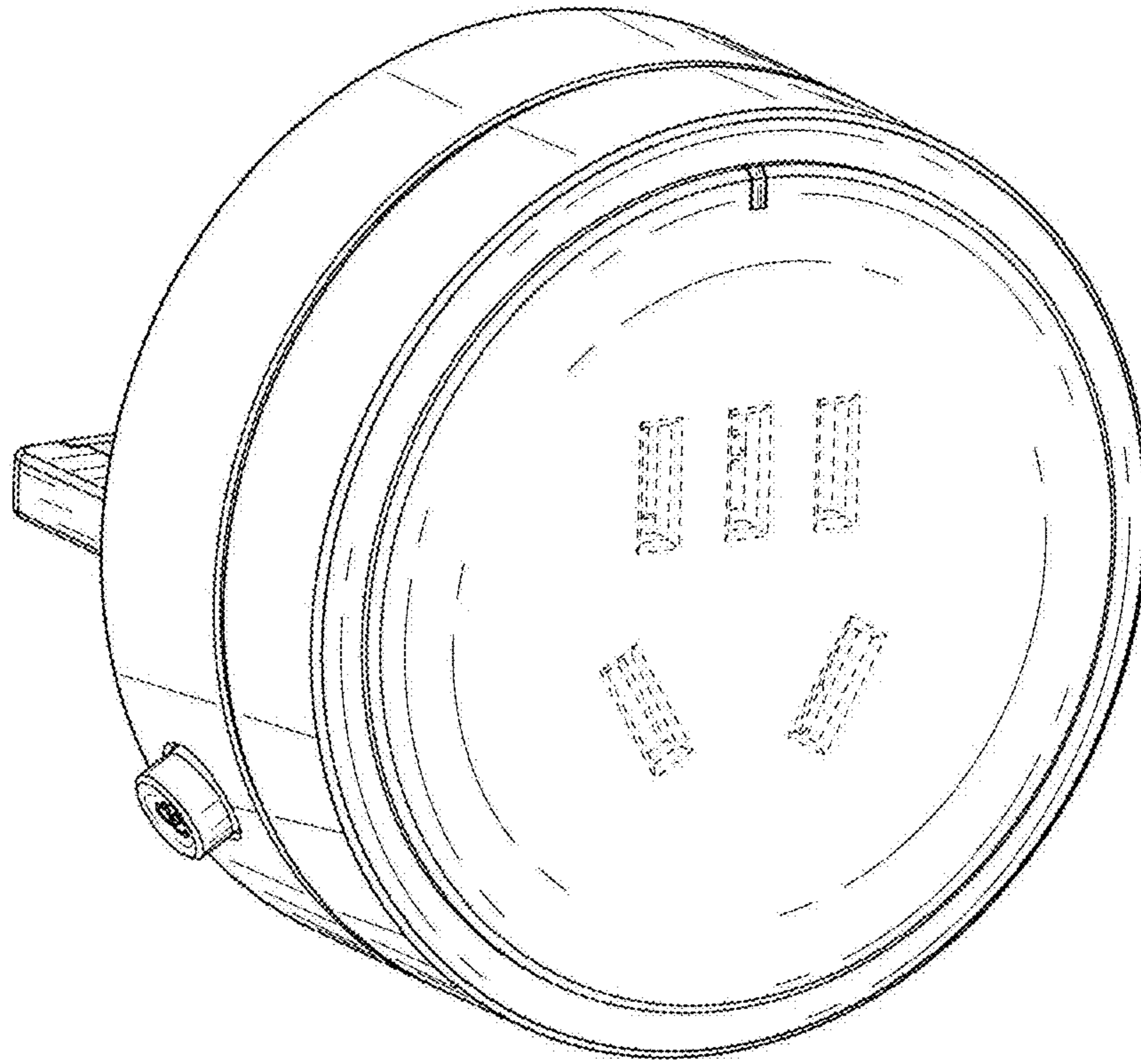


FIG. 7

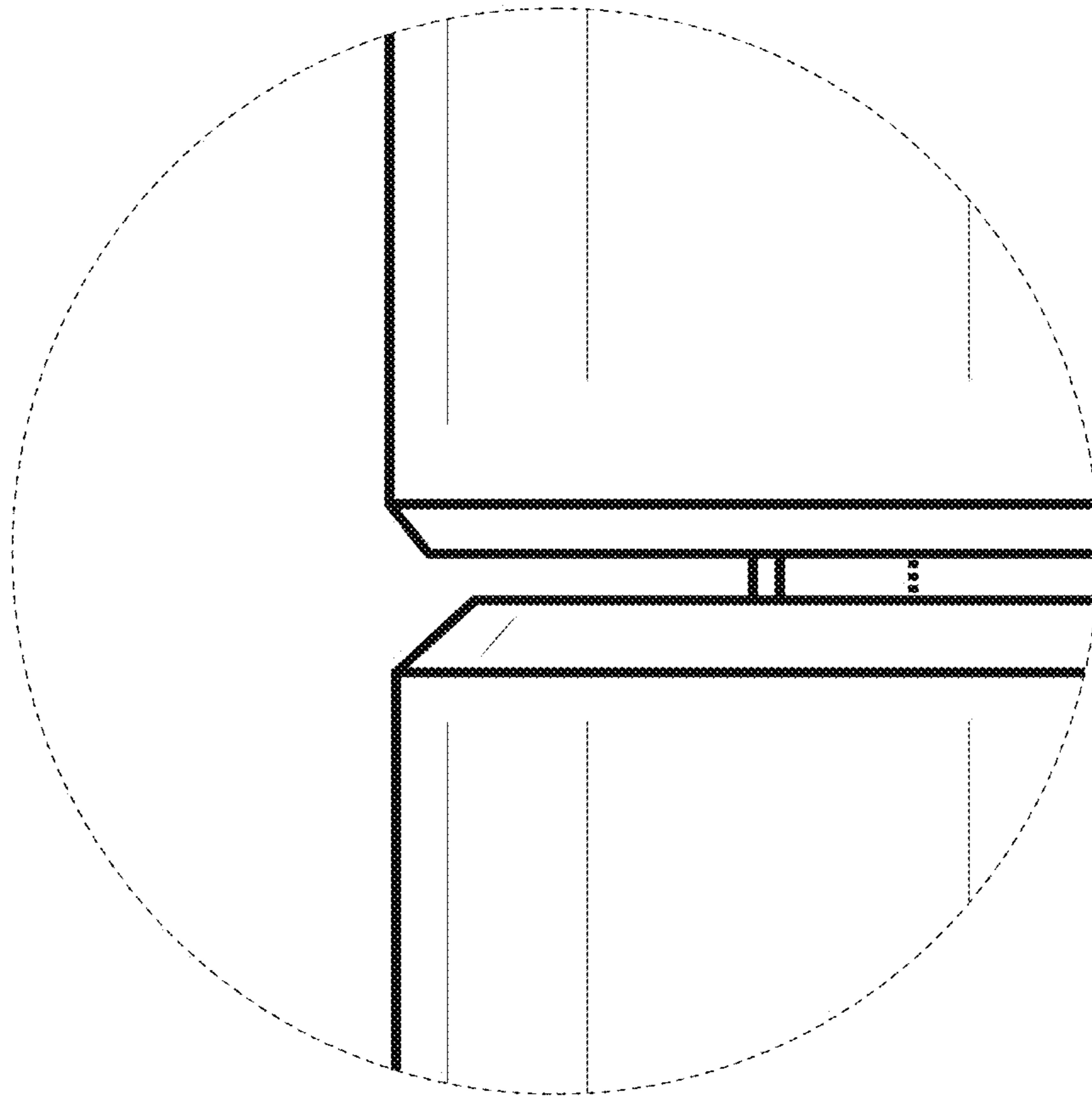


FIG. 8

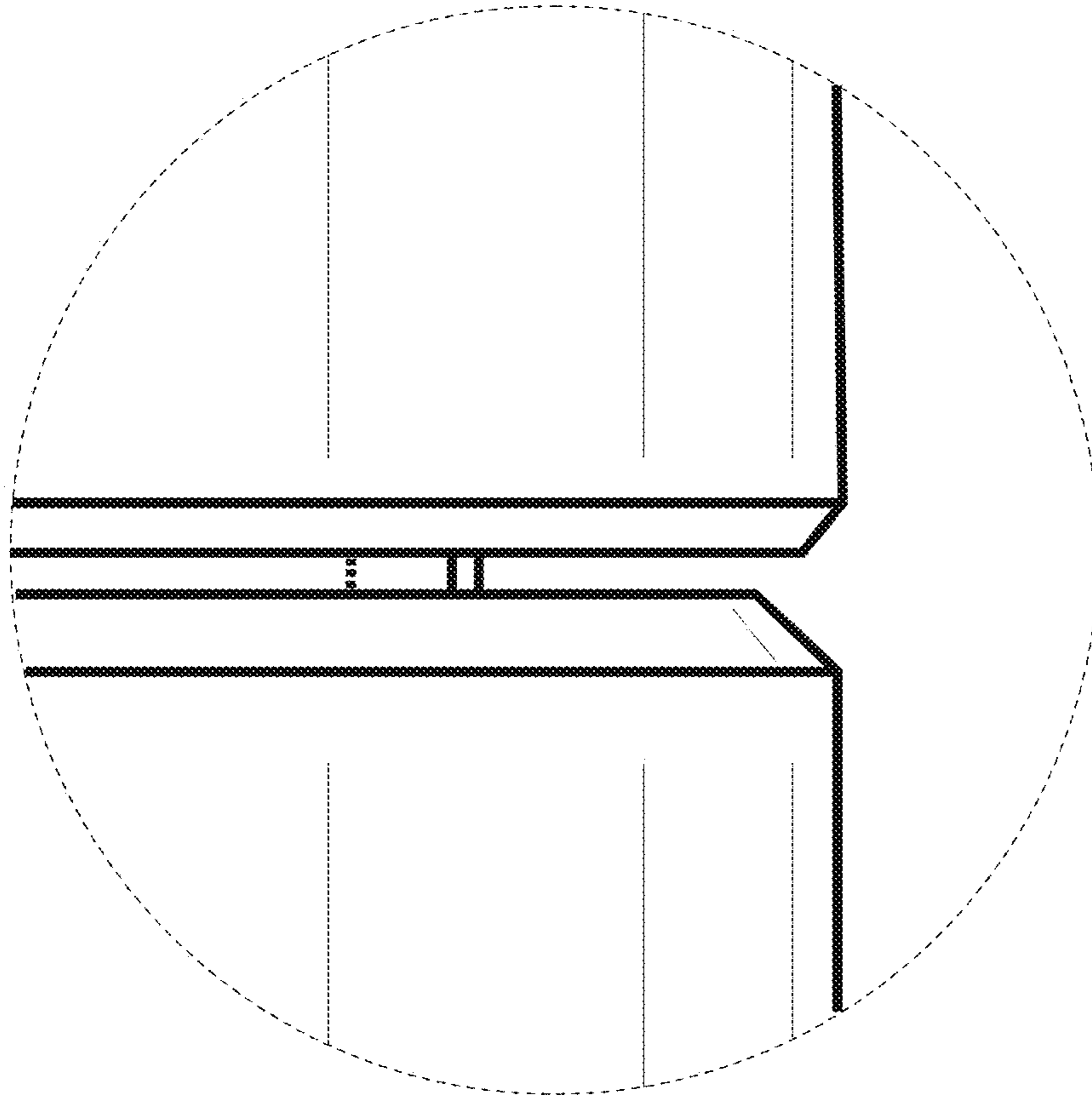


FIG. 9