



US00D987578S

(12) **United States Design Patent**
Choi

(10) **Patent No.:** **US D987,578 S**
(45) **Date of Patent:** **** May 30, 2023**

(54) **OPTICAL FIBER CONNECTOR**

(71) Applicant: **A.J.WORLD CO., LTD.**, Seoul (KR)

(72) Inventor: **Sun Ho Choi**, Seoul (KR)

(**) Term: **15 Years**

(21) Appl. No.: **35/512,561**

(22) Filed: **Mar. 17, 2021**

(80) **Hague Agreement Data**

Int. Filing Date: **Mar. 17, 2021**
Int. Reg. No.: **DM/213828**
Int. Reg. Date: **Mar. 17, 2021**
Int. Reg. Pub. Date: **Sep. 17, 2021**

(30) **Foreign Application Priority Data**

Jan. 20, 2021 (KR) 30-2021-0002911

(51) **LOC (14) Cl.** **13-03**

(52) **U.S. Cl.**
USPC **D13/133**

(58) **Field of Classification Search**
USPC D13/107, 118, 123, 133, 146, 147, 153,
D13/154, 156, 173, 184, 199
CPC G02B 6/3805; G02B 6/4466; G02B 6/508;
G02B 6/38; G02B 6/3869; G02B 6/3879;
H01R 13/62; H01R 13/625; H01R 13/447
See application file for complete search history.

(56) **References Cited**

U.S. PATENT DOCUMENTS

5,157,749 A * 10/1992 Briggs G02B 6/3879
D13/133
5,226,835 A * 7/1993 Baker, III H01R 13/6467
439/922
5,333,221 A * 7/1994 Briggs G02B 6/3825
385/71
D434,376 S * 11/2000 Connelly D13/133

D446,769 S * 8/2001 Stockhaus D13/133
D479,199 S * 9/2003 Jones D13/147
7,588,373 B1 * 9/2009 Sato G02B 6/3893
385/59
D676,384 S * 2/2013 Yang D13/133
10,114,180 B2 * 10/2018 Suzic G02B 6/3893
11,056,820 B2 * 7/2021 Li G02B 6/3879
D973,593 S * 12/2022 Choi D13/133
2018/0321448 A1 * 11/2018 Wu G02B 6/3893
2021/0281005 A1 * 9/2021 Taira H01R 13/506

(Continued)

FOREIGN PATENT DOCUMENTS

CN 206057643 U * 3/2017 G02B 6/3805

OTHER PUBLICATIONS

AJW Fiber Optic Adapter Fiber Coupler Clear Type, dated Aug. 12, 2019, [online], [site visited Sep. 20, 2022]. Available from Internet, URL: https://www.youtube.com/watch?v=_GvQTIw-iyw (Year: 2019).*

(Continued)

Primary Examiner — Shawn T Gingrich

(57) **CLAIM**

The ornamental design for optical fiber connector, as shown and described.

DESCRIPTION

1. Optical fiber connector

1.1 : Perspective

1.2 : Front

1.3 : Back

1.4 : Top

1.5 : Bottom

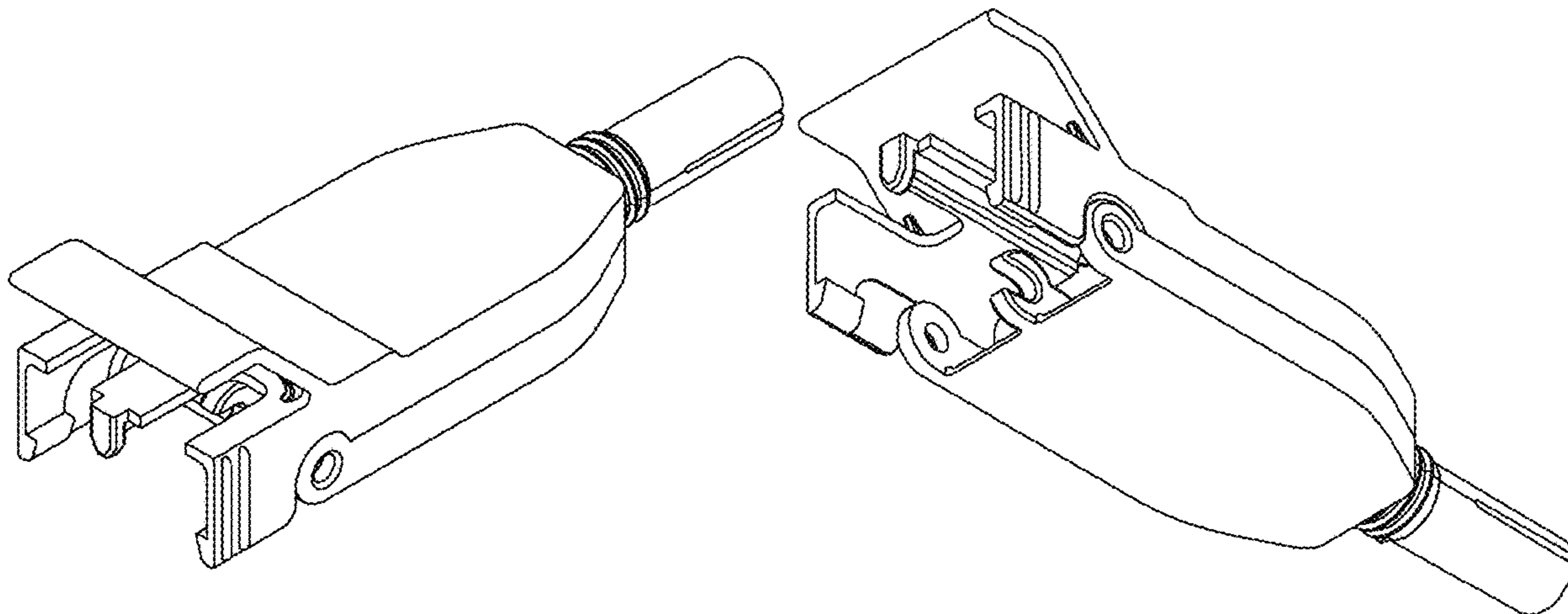
1.6 : Left

1.7 : Right

1.8 : Reference view

The broken line portion of the reproductions is included to show portions of the optical fiber connector that form no part of the claimed design.

1 Claim, 8 Drawing Sheets



(56)

References Cited

U.S. PATENT DOCUMENTS

2022/0283386 A1* 9/2022 Choi G02B 6/3887

OTHER PUBLICATIONS

FS Community Fiber Optic Adapter/Coupler Tutorial, dated Apr. 16, 2020, [online], [site visited Sep. 20, 2022]. Available from Internet, URL: <https://community.fs.com/blog/fiber-optic-adaptercoupler-tutorial.html> (Year: 2020).*

* cited by examiner

1.1

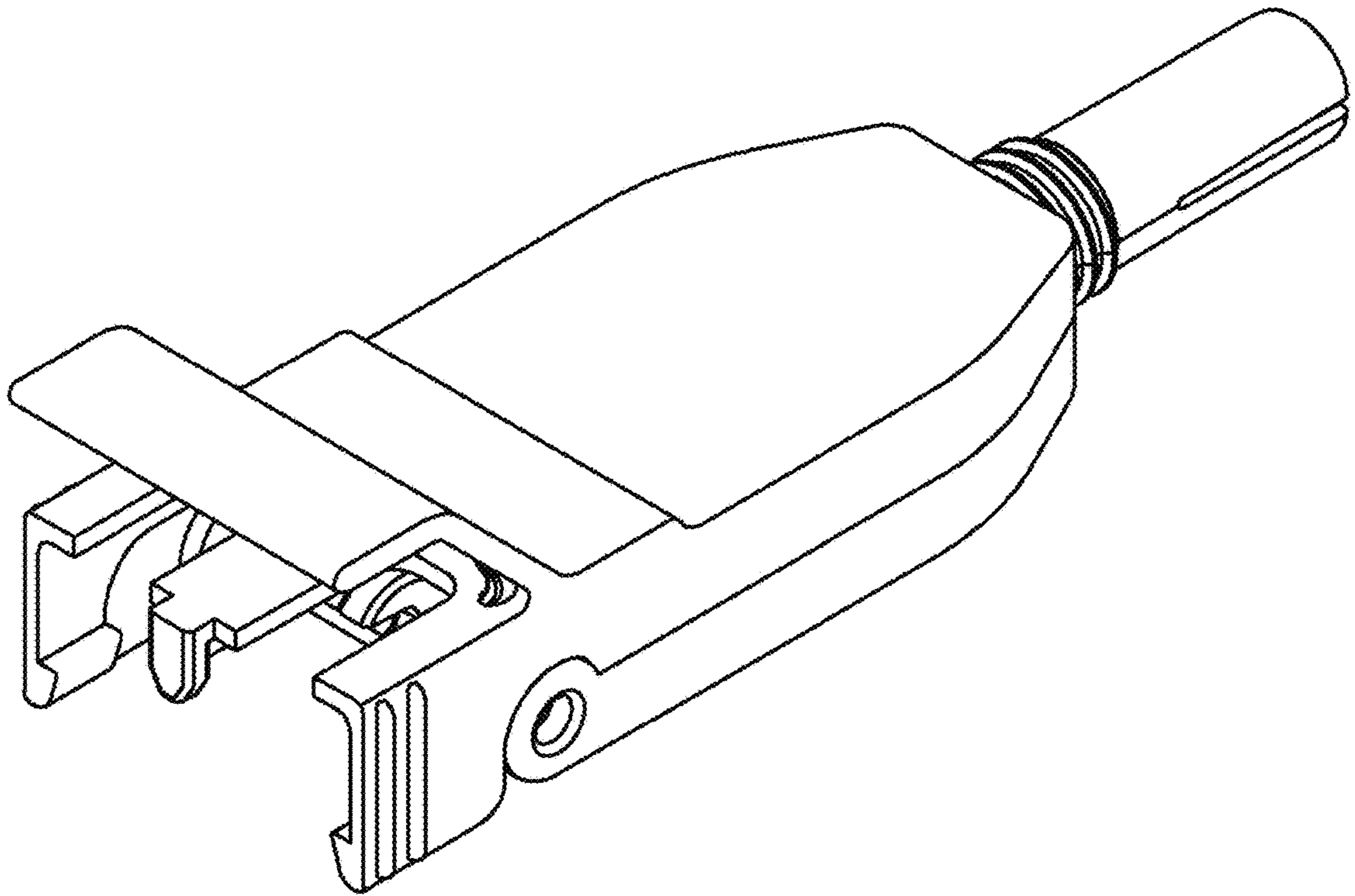


Fig. 1.2

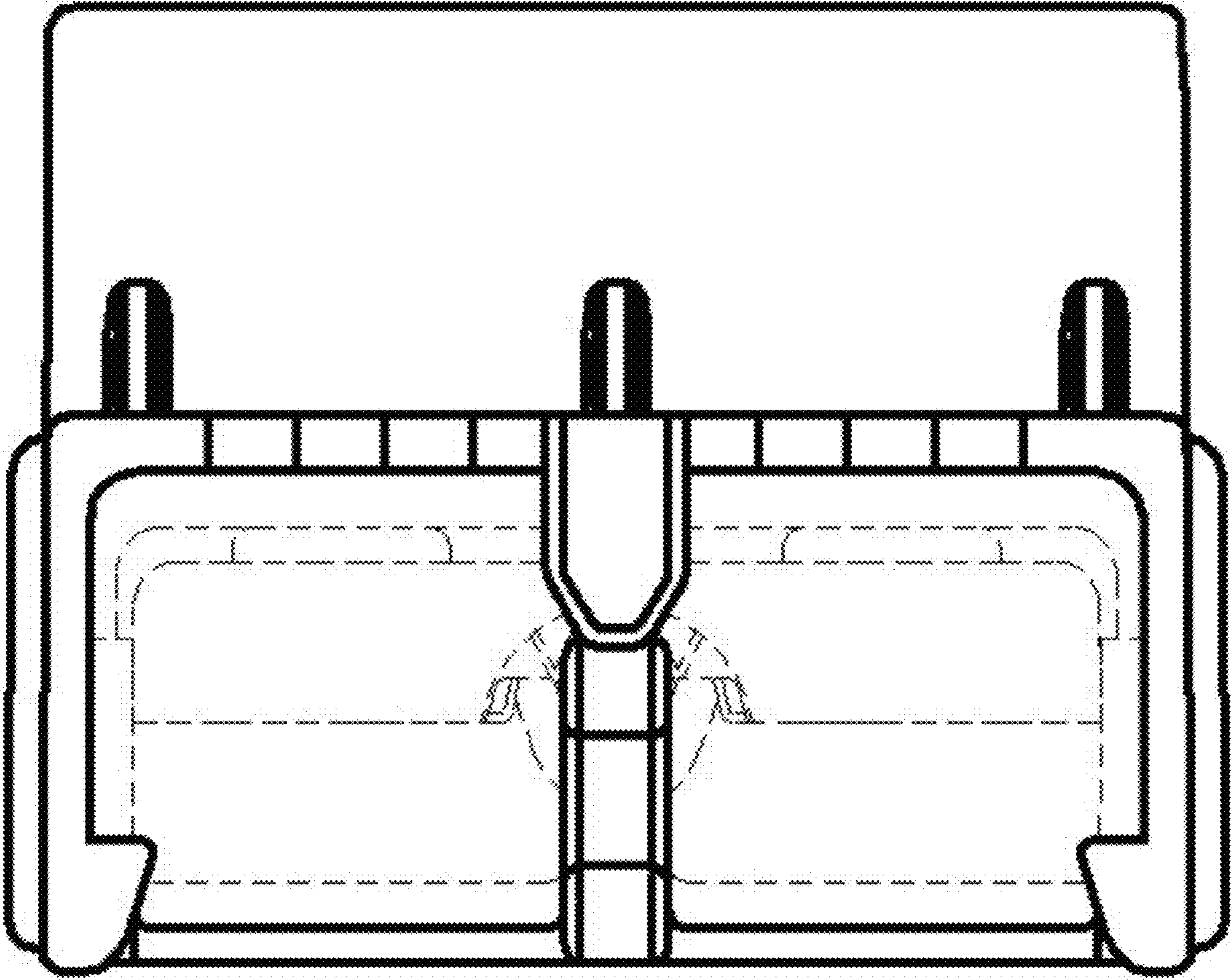
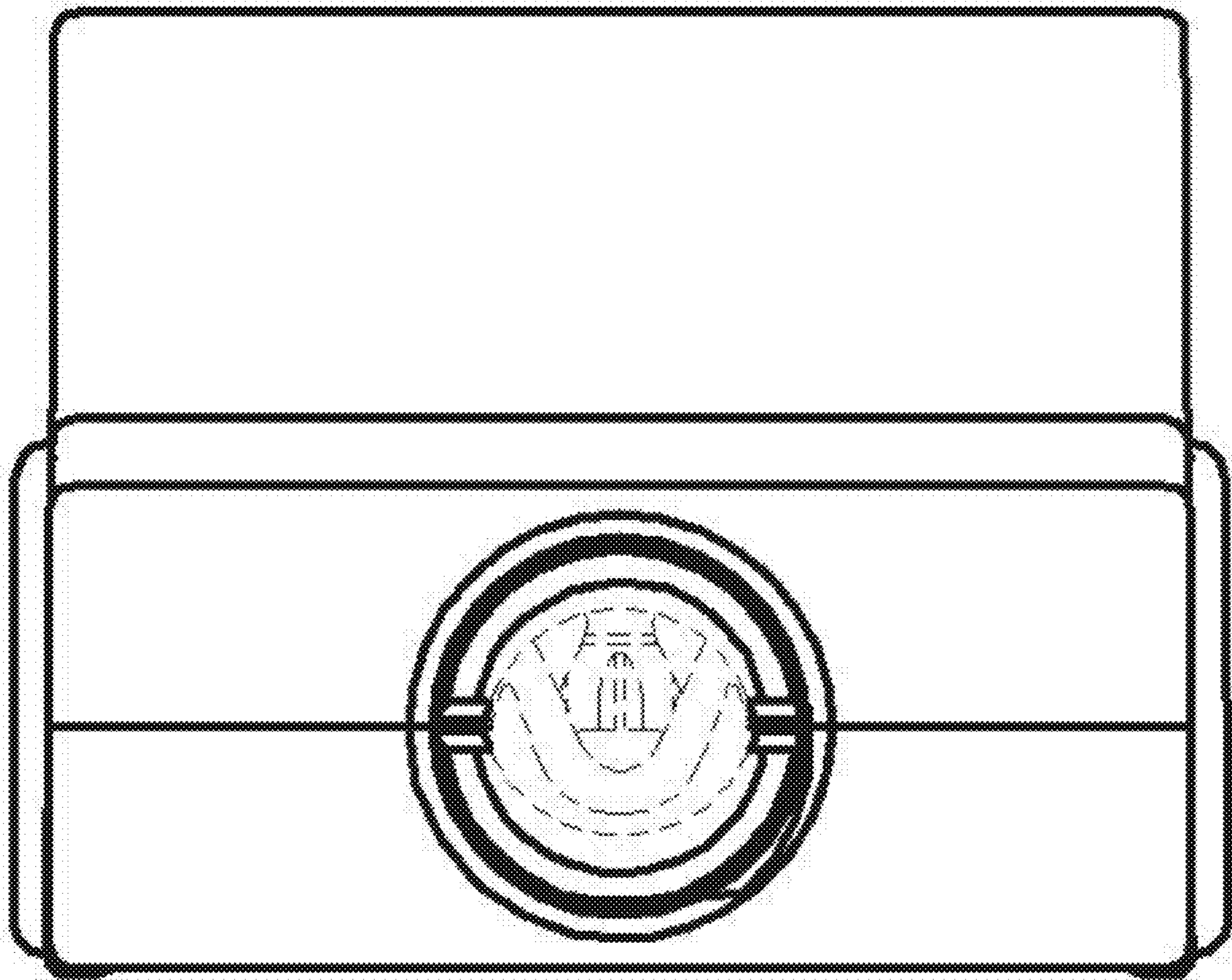
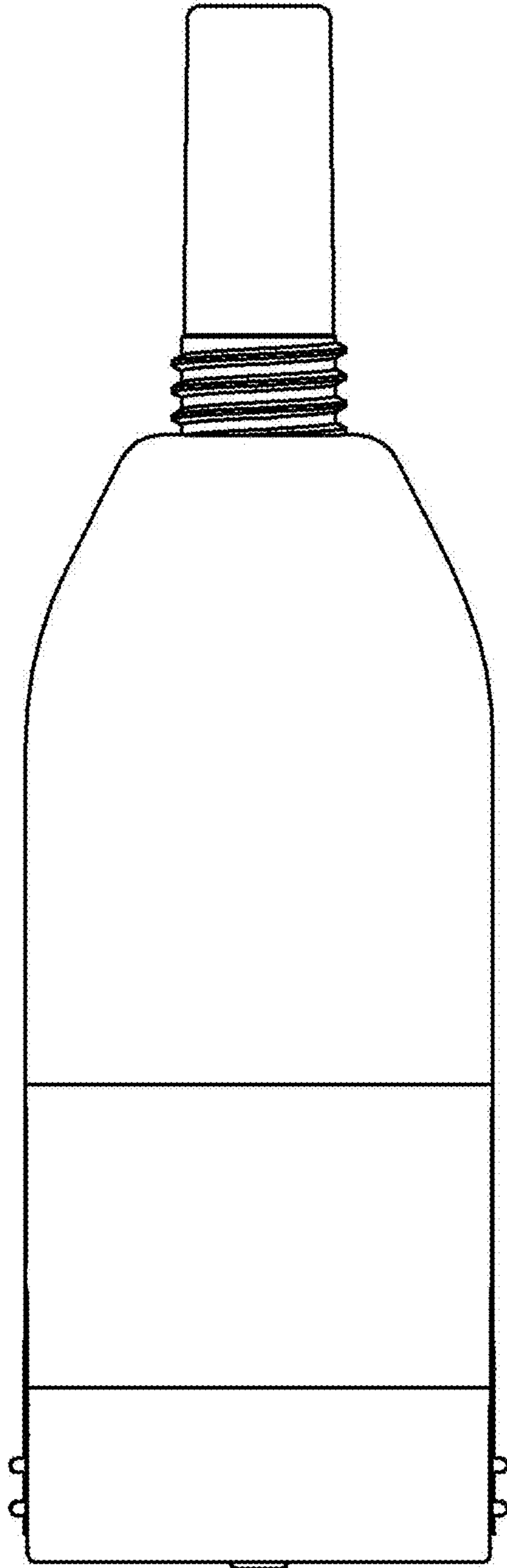


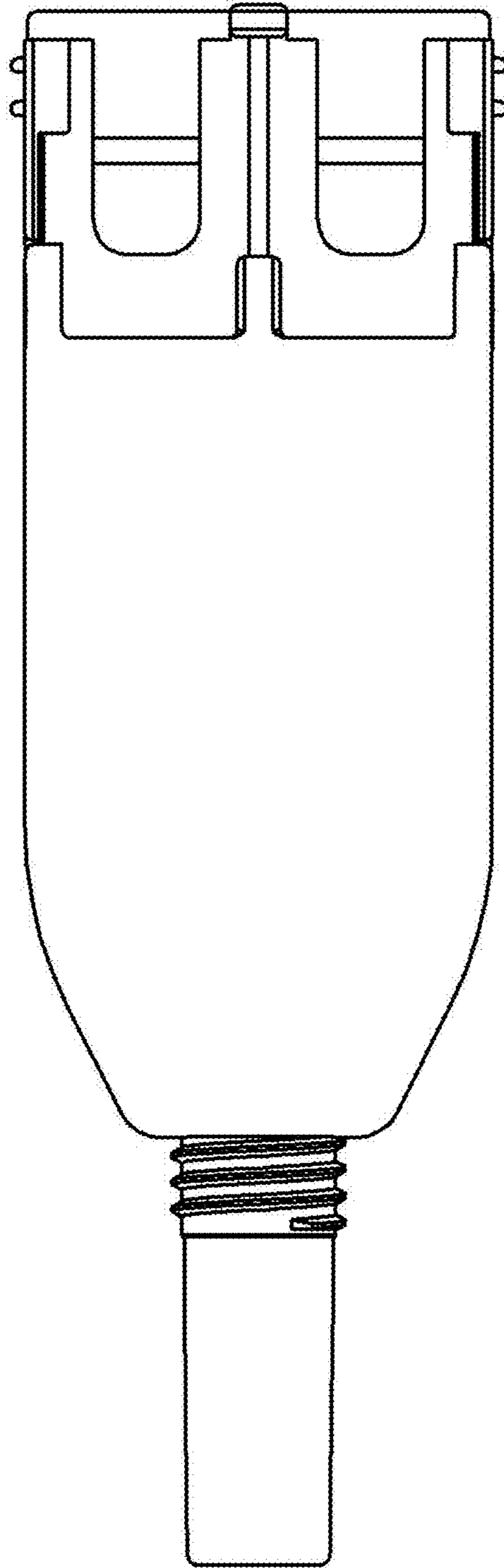
Fig. 1.3



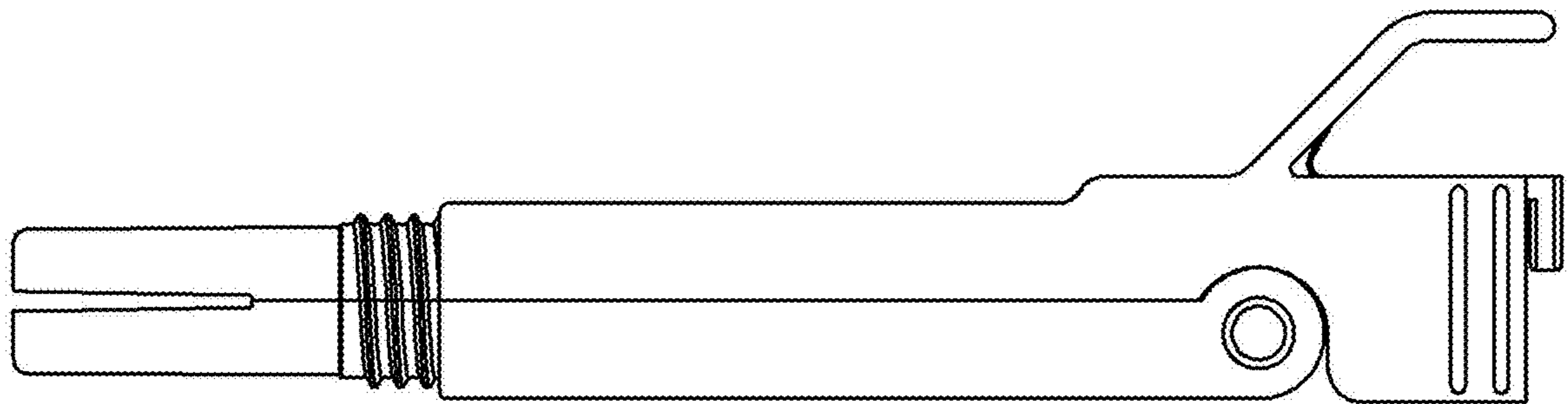
1.4



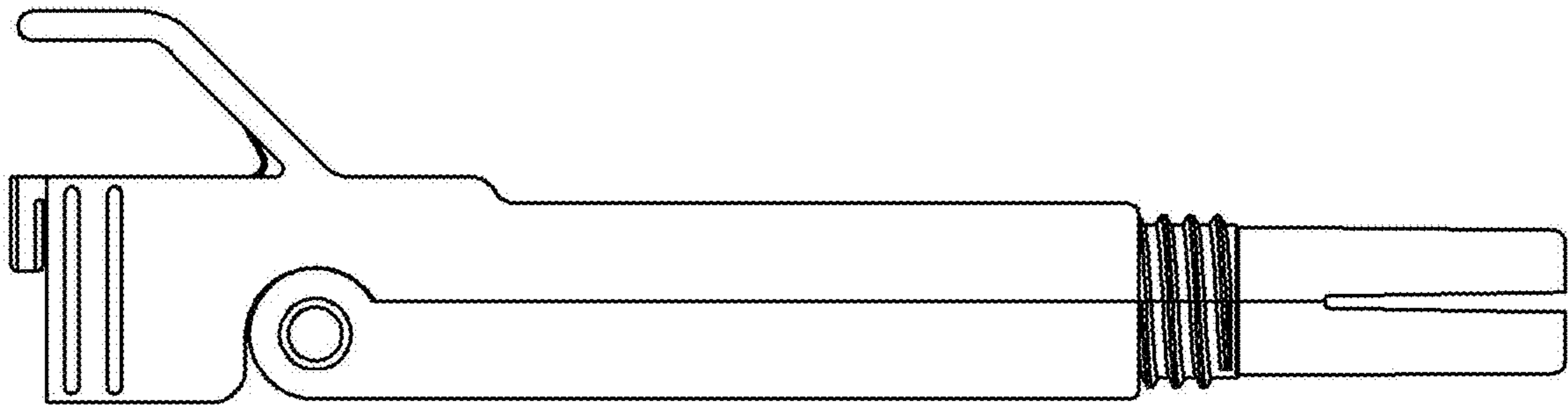
1.5



1.6



1.7



1.8

