



US00D987577S

(12) **United States Design Patent**
Yokoyama

(10) **Patent No.:** **US D987,577 S**
(45) **Date of Patent:** **** May 30, 2023**

(54) **CONNECTOR**

(71) Applicant: **Japan Aviation Electronics Industry, Limited**, Tokyo (JP)

(72) Inventor: **Yohei Yokoyama**, Tokyo (JP)

(73) Assignee: **JAPAN AVIATION ELECTRONICS INDUSTRY, LIMITED**, Tokyo (JP)

(**) Term: **15 Years**

(21) Appl. No.: **29/798,956**

(22) Filed: **Jul. 12, 2021**

(30) **Foreign Application Priority Data**

Apr. 9, 2021 (JP) 2021-007494 D

(51) **LOC (14) Cl.** **13-03**

(52) **U.S. Cl.**
USPC **D13/147**

(58) **Field of Classification Search**
USPC ... D13/133, 101, 123, 146, 147, 153, 137.1,
D13/149

CPC G02B 6/38; G02B 6/38875; G02B 6/4284;
H01R 13/40; H01R 13/58; H01R 13/627;
H01R 13/66; H01R 31/06; H01R 24/00
See application file for complete search history.

(56) **References Cited**

U.S. PATENT DOCUMENTS

D696,201 S * 12/2013 Takenaga D13/147
D767,499 S * 9/2016 Goto D13/147
D795,197 S * 8/2017 Ueda D13/147
10,333,239 B2 * 6/2019 Ashibu H01R 12/707
D870,674 S * 12/2019 Ashibu D13/147
D878,301 S * 3/2020 Yamada D13/147
D885,347 S * 5/2020 Ishida D13/147

D908,636 S * 1/2021 Takenaga D13/147
D923,580 S * 6/2021 Oosaka D13/147
D923,581 S * 6/2021 Oosaka D13/147
D923,582 S * 6/2021 Oosaka D13/147
D941,245 S * 1/2022 Kim D13/133
D953,991 S * 6/2022 Oosaka D13/133
D967,033 S * 10/2022 Horino D13/133
D967,772 S * 10/2022 Katou D13/147
D967,774 S * 10/2022 Oosaka D13/133
D967,775 S * 10/2022 Oosaka D13/133
11,476,601 B2 * 10/2022 Oosaka H01R 13/518
2016/0036145 A1 * 2/2016 Hasegawa H01R 12/7076
439/78
2021/0367362 A1 * 11/2021 Yamada H01R 12/7005

* cited by examiner

Primary Examiner — Christy Nemeth

Assistant Examiner — Leah E Hoeferkamp

(74) *Attorney, Agent, or Firm* — Manabu Kanesaka

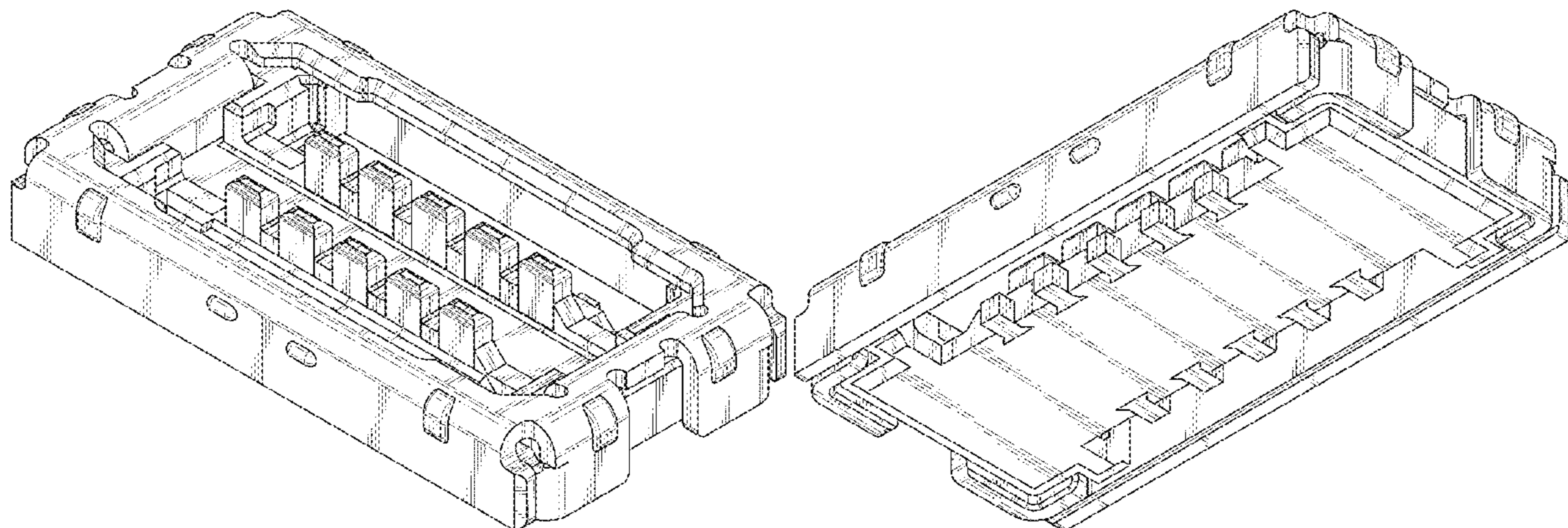
(57) **CLAIM**

The ornamental design for a connector, as shown and described.

DESCRIPTION

FIG. 1 is a front elevational view of a connector showing my new design;
FIG. 2 is a rear elevational view thereof;
FIG. 3 is a right side elevational view thereof;
FIG. 4 is a left side elevational view thereof;
FIG. 5 is a top plan view thereof;
FIG. 6 is a bottom plan view thereof;
FIG. 7 is a front, top, and right side perspective view thereof;
FIG. 8 is a rear, bottom, and left side perspective view thereof;
FIG. 9 is a front, right, and bottom perspective view thereof;
and,
FIG. 10 is a rear, left, and top perspective view thereof.

1 Claim, 5 Drawing Sheets



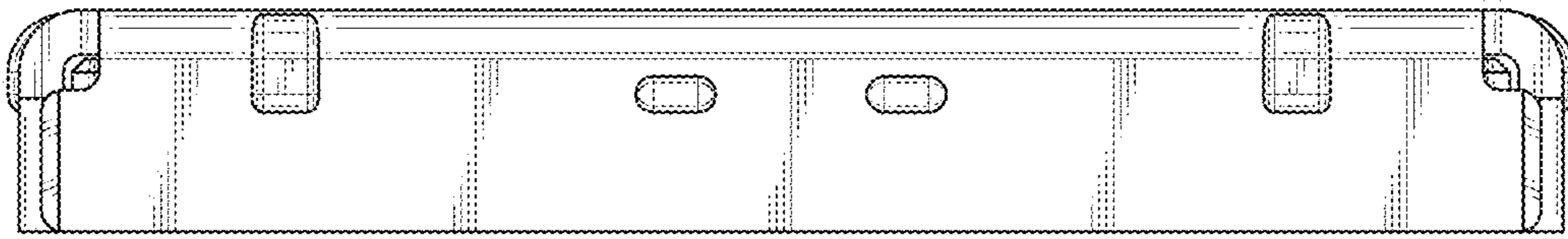


FIG. 1

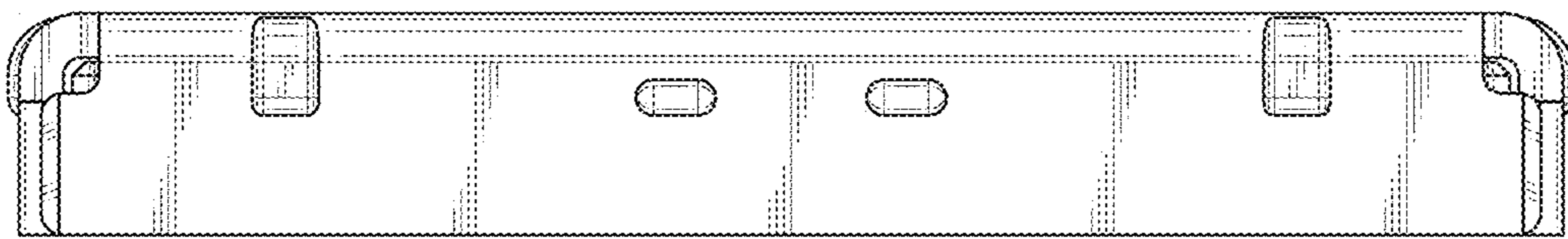


FIG. 2

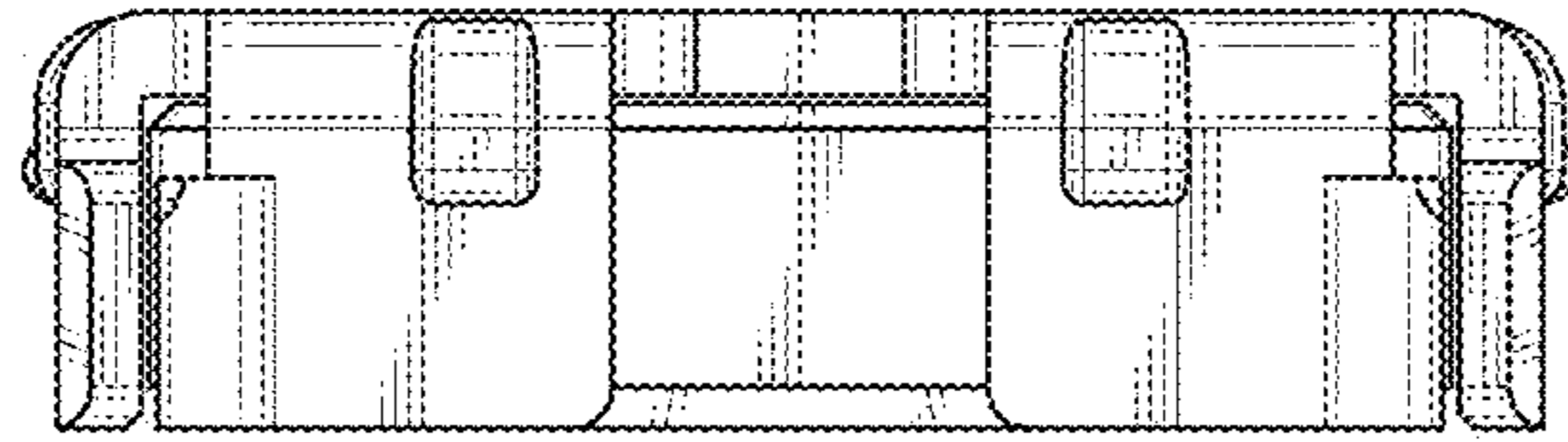


FIG. 3

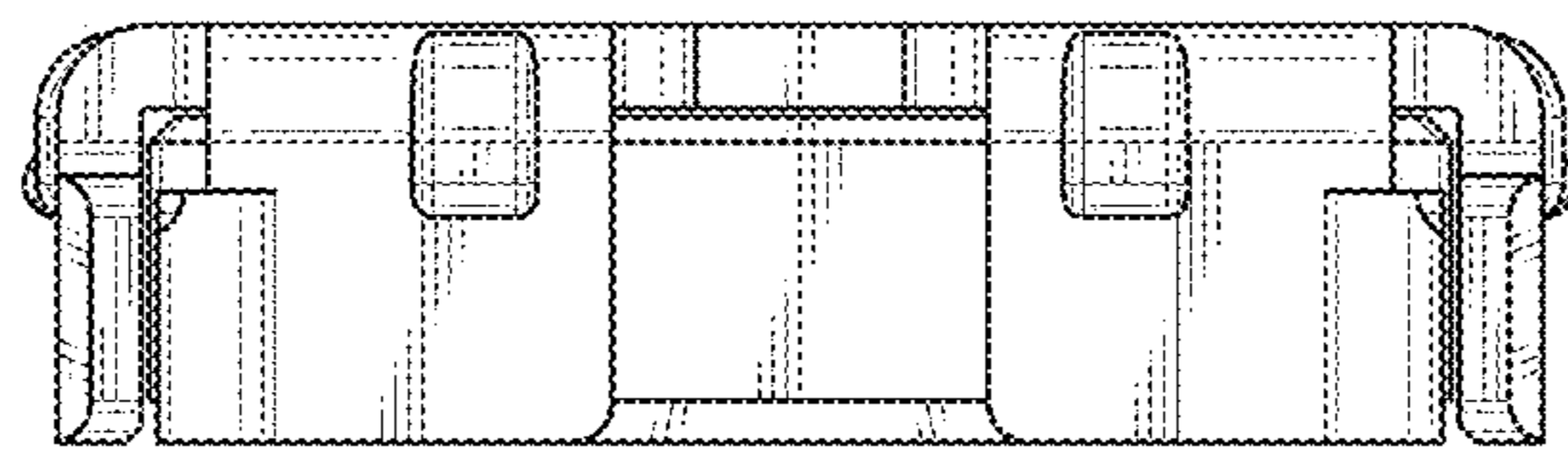


FIG. 4

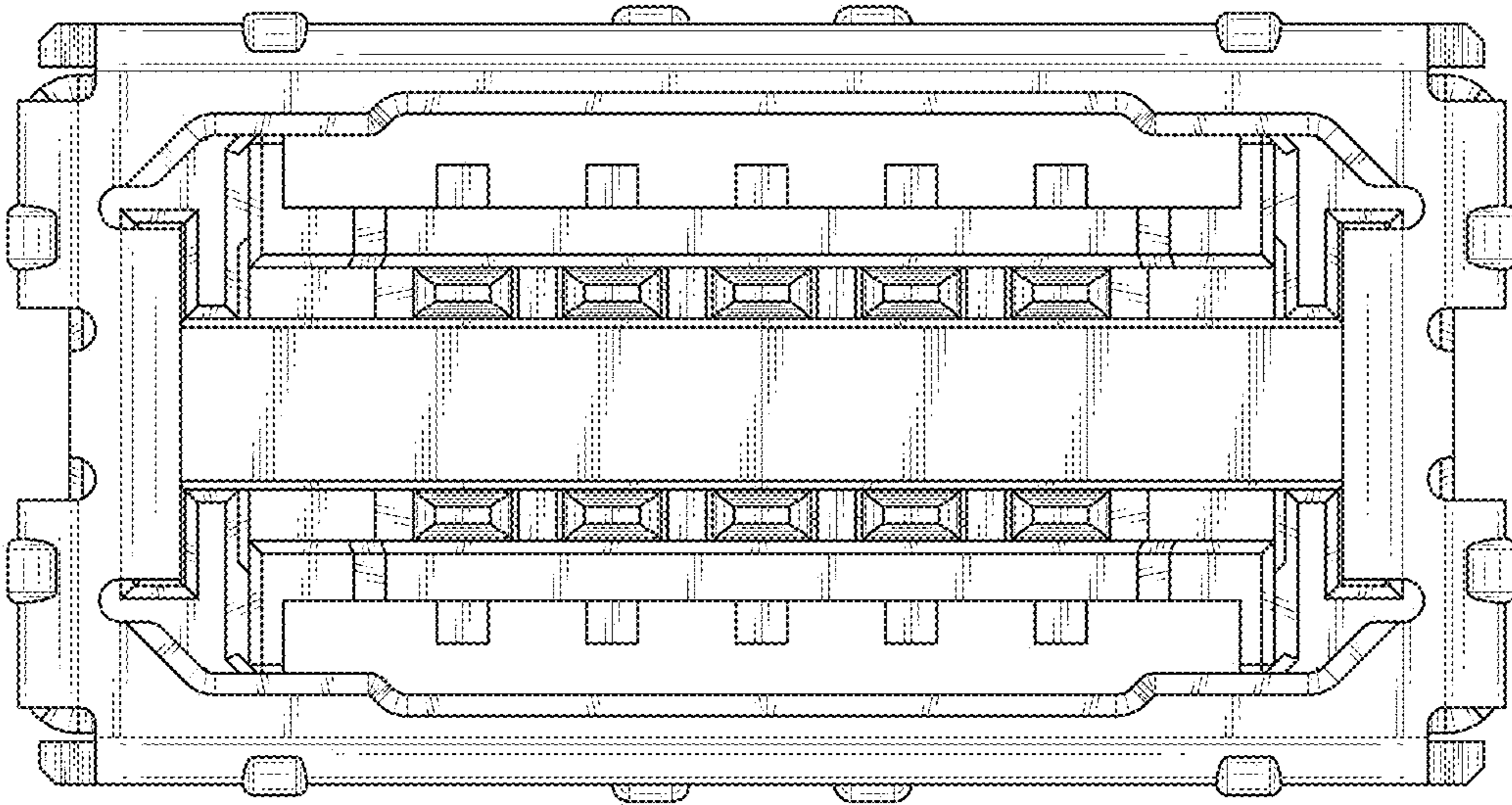


FIG. 5

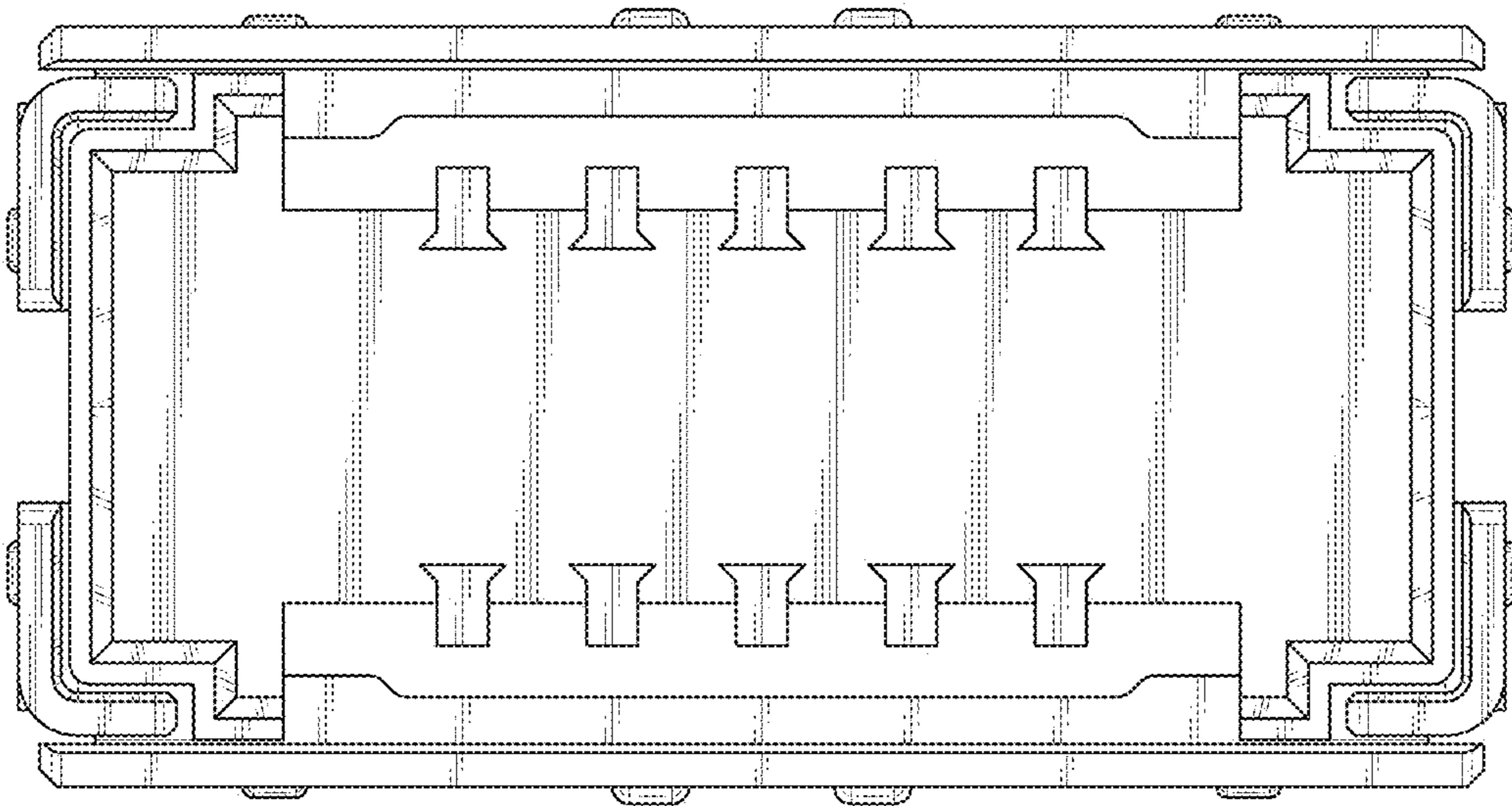


FIG. 6

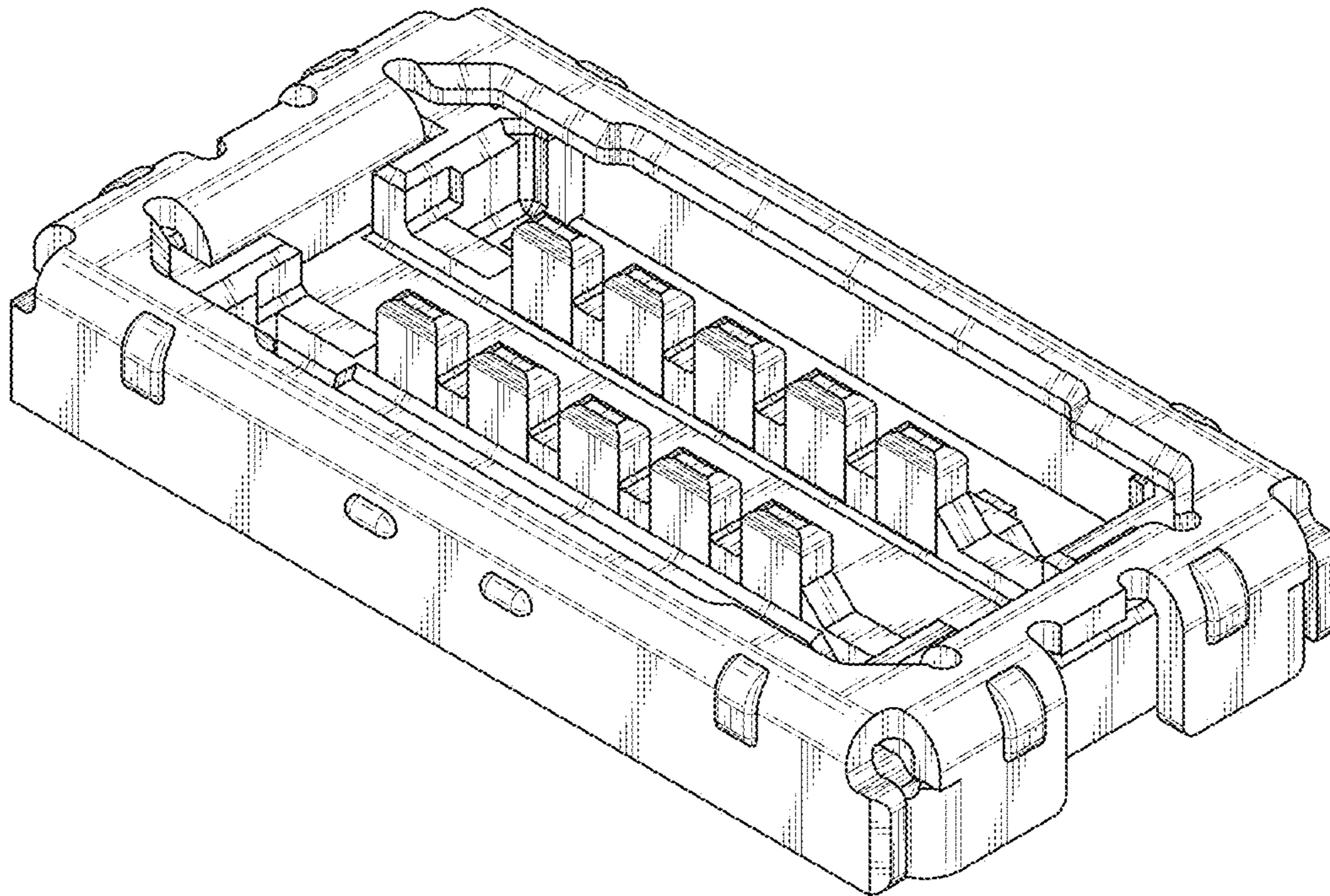


FIG. 7

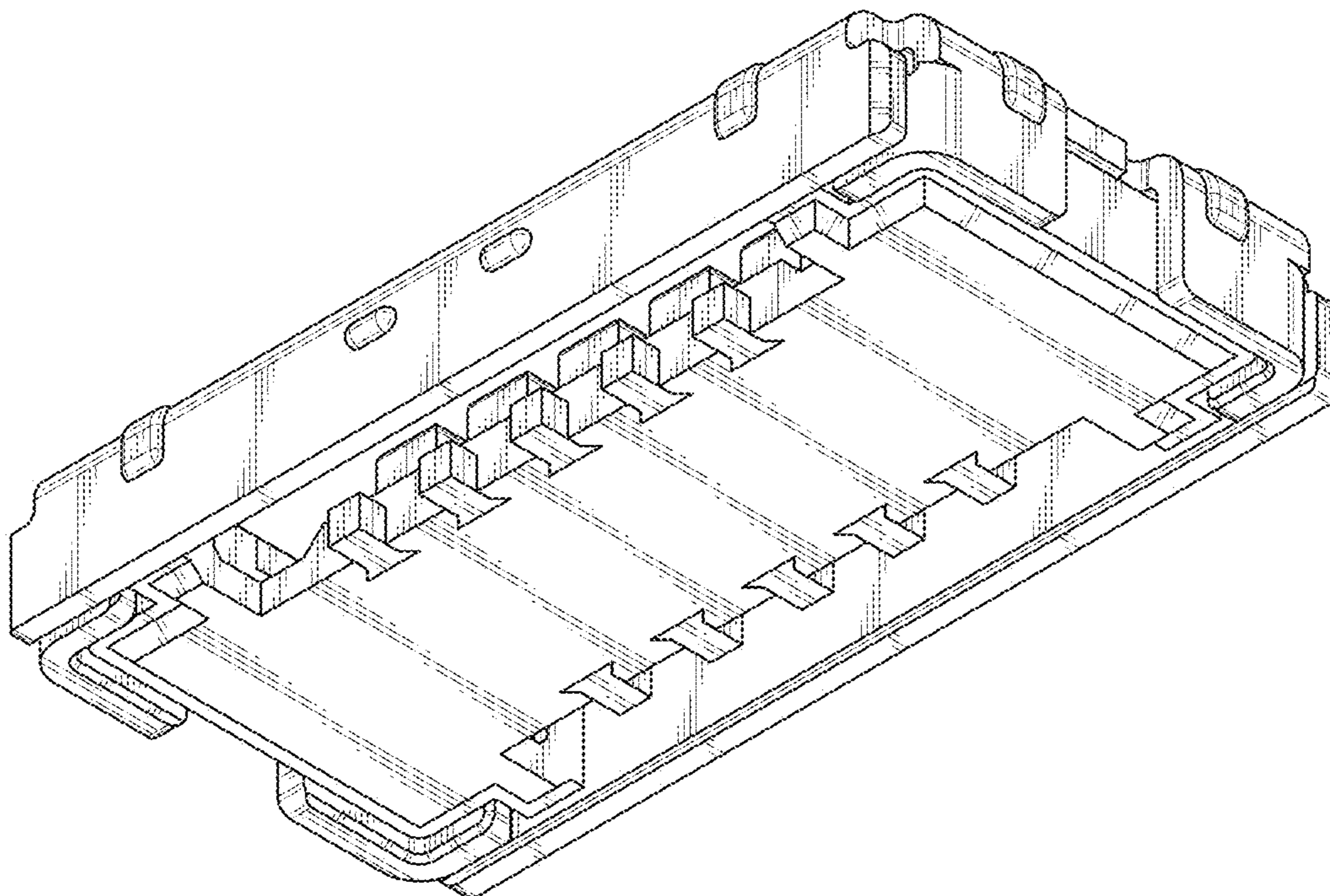


FIG. 8

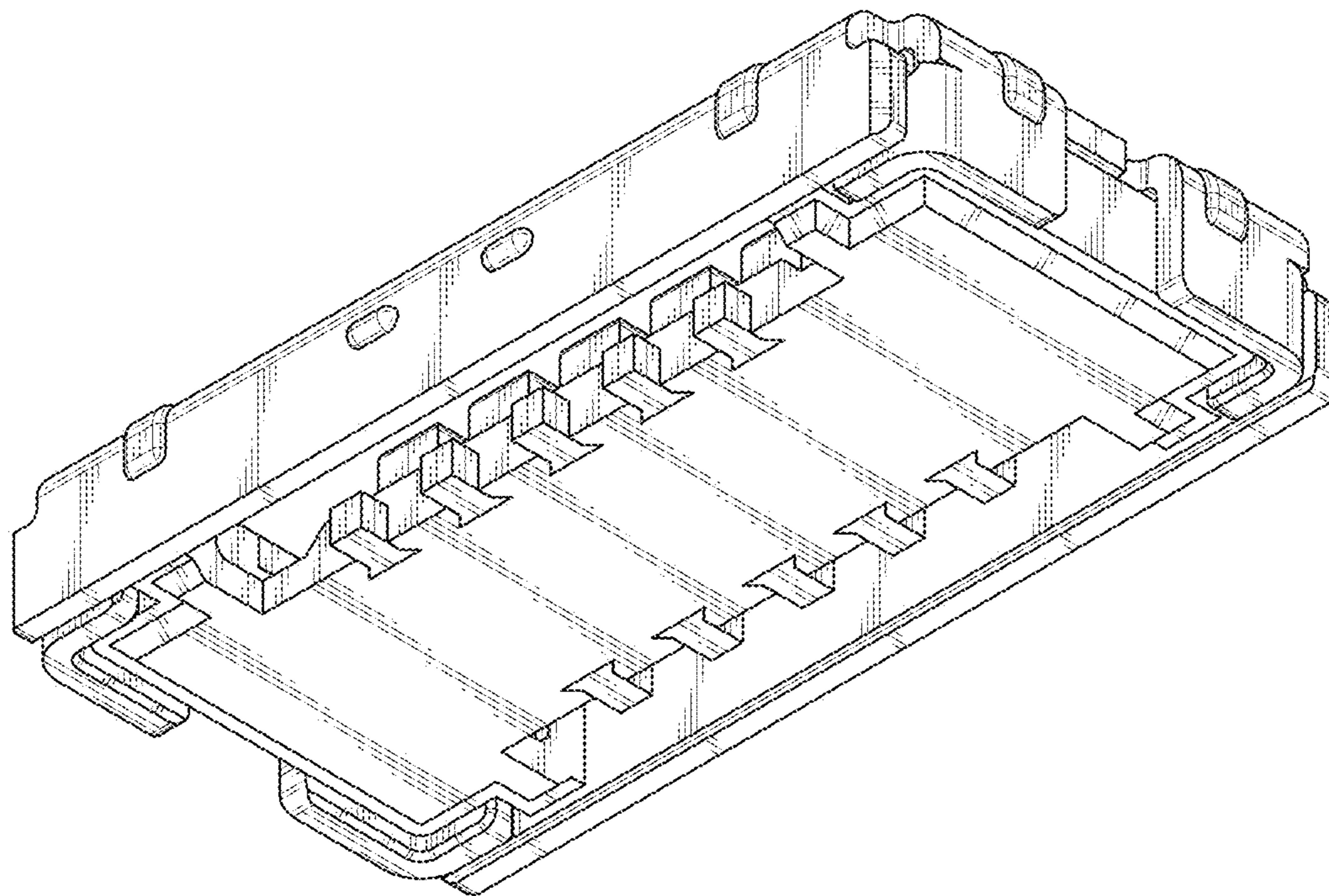


FIG. 9

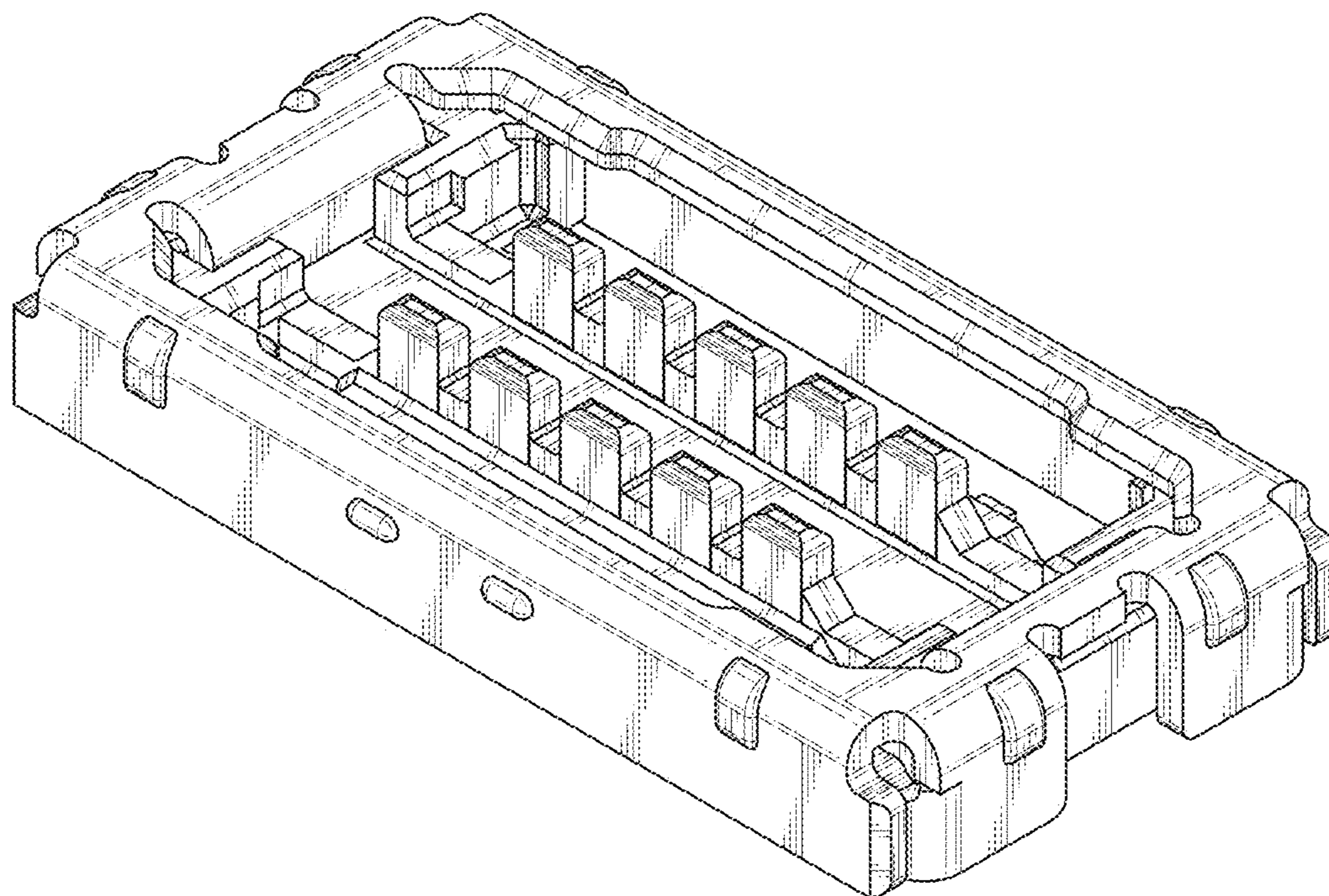


FIG. 10