



US00D987575S

(12) **United States Design Patent** (10) **Patent No.:** **US D987,575 S**
Omodachi et al. (45) **Date of Patent:** **** May 30, 2023**

(54) **CONNECTOR**
(71) Applicant: **Japan Aviation Electronics Industry, Limited**, Tokyo (JP)
(72) Inventors: **Takashi Omodachi**, Tokyo (JP); **Takayuki Nishimura**, Tokyo (JP)
(73) Assignee: **JAPAN AVIATION ELECTRONICS INDUSTRY, LIMITED**, Tokyo (JP)

D722,295 S * 2/2015 Miyazaki D13/147
D733,058 S * 6/2015 Miyazaki D13/147
D739,825 S * 9/2015 Omodachi D13/147
D774,462 S * 12/2016 Omodachi D13/147
D792,854 S * 7/2017 Ashibu D13/147
D795,813 S * 8/2017 Goto D13/147
D826,166 S * 8/2018 Yayoshi D13/147
D911,978 S * 3/2021 Ashibu D13/147
D913,953 S * 3/2021 Ashibu D13/147
D967,776 S * 10/2022 Kobuchi D13/133
2013/0012074 A1 * 1/2013 Mashiyama H01R 12/73
439/660

(**) Term: **15 Years**

(Continued)

(21) Appl. No.: **29/798,943**

FOREIGN PATENT DOCUMENTS

(22) Filed: **Jul. 12, 2021**

JP D1638446 S 8/2019

(30) **Foreign Application Priority Data**

OTHER PUBLICATIONS

Apr. 5, 2021 (JP) 2021-007140 D

Japan Patent Office, "Office Action for Japanese Design Application No. 2021-007140 D," dated Sep. 10, 2021.

(51) **LOC (14) Cl.** **13-03**

(52) **U.S. Cl.**
USPC **D13/147**

Primary Examiner — Christy Nemeth
Assistant Examiner — Leah E Hoferkamp
(74) *Attorney, Agent, or Firm* — Manabu Kanesaka

(58) **Field of Classification Search**
USPC ... D13/133, 101, 123, 146, 147, 153, 137.1, D13/149
CPC G02B 6/38; G02B 6/38875; G02B 6/4284; H01R 13/40; H01R 13/58; H01R 13/627; H01R 13/66; H01R 31/06; H01R 24/00
See application file for complete search history.

(57) **CLAIM**

The ornamental design for a connector, as shown and described.

(56) **References Cited**

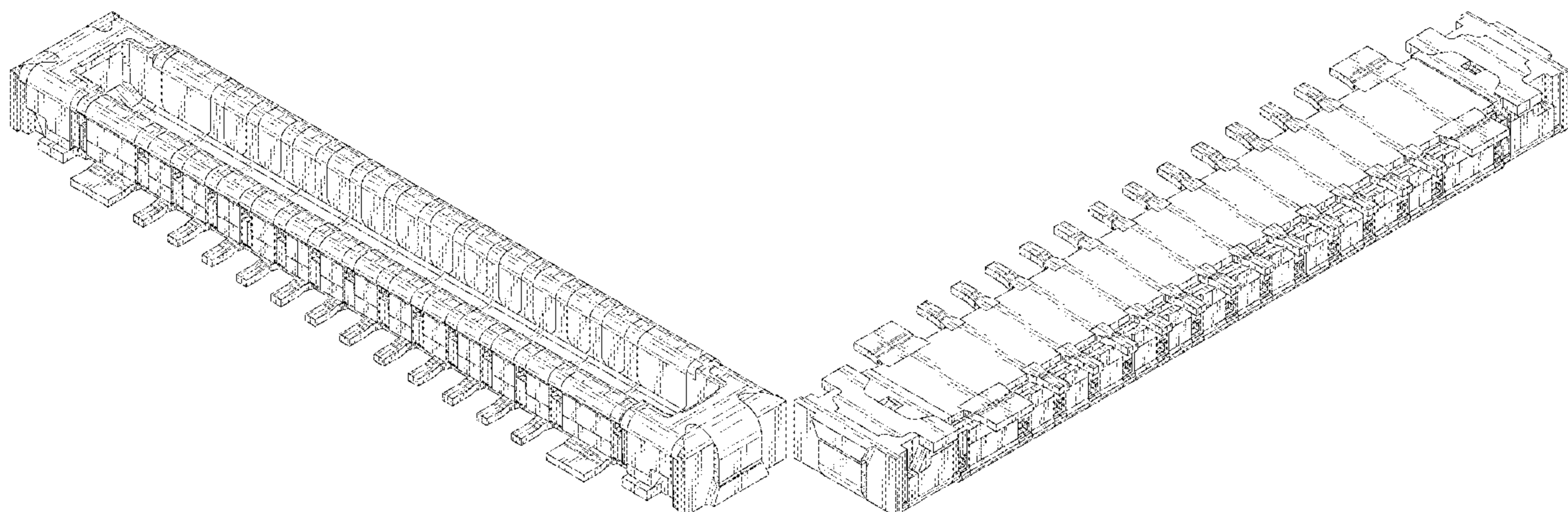
DESCRIPTION

U.S. PATENT DOCUMENTS

FIG. 1 is a front elevational view of a connector showing our new design;
FIG. 2 is a rear elevational view thereof;
FIG. 3 is a right side elevational view thereof;
FIG. 4 is a left side elevational view thereof;
FIG. 5 is a top plan view thereof;
FIG. 6 is a bottom plan view thereof;
FIG. 7 is a perspective view thereof; and,
FIG. 8 is another perspective view thereof.

D539,226 S * 3/2007 Yamada D13/147
D539,227 S * 3/2007 Yamada D13/147
D576,556 S * 9/2008 Lee D13/147
D604,250 S * 11/2009 Obikane D13/147
D641,705 S * 7/2011 Sato D13/147
D681,557 S * 5/2013 Miyazaki D13/147
D684,540 S * 6/2013 Miyazaki D13/147
D684,932 S * 6/2013 Nishimura D13/147
D719,920 S * 12/2014 Choi D13/147
D720,699 S * 1/2015 Watanabe D13/147

1 Claim, 4 Drawing Sheets



(56)

References Cited

U.S. PATENT DOCUMENTS

2014/0220830 A1* 8/2014 Kubo H01R 13/04
439/660
2021/0036451 A1* 2/2021 Han H01R 13/627

* cited by examiner

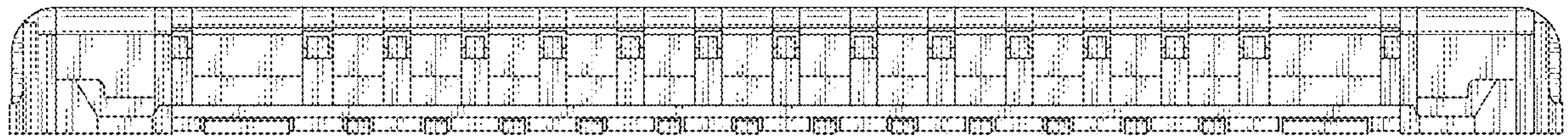


FIG. 1



FIG. 2

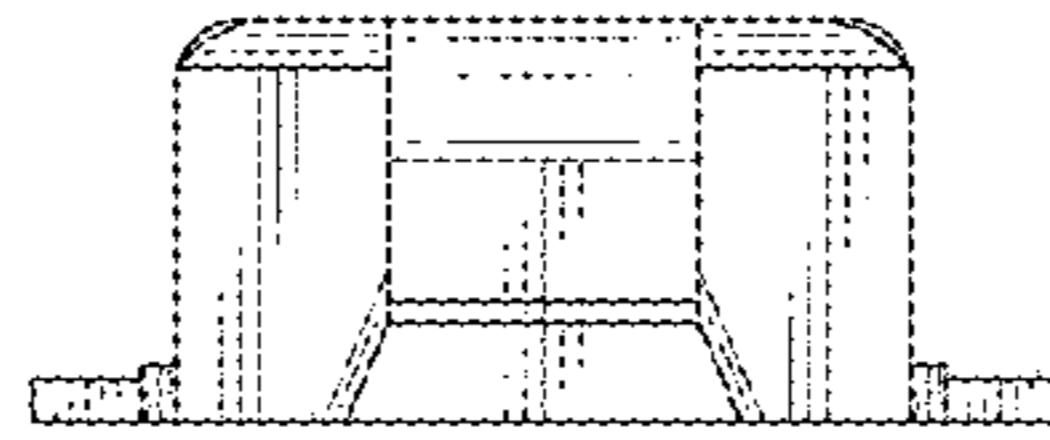


FIG. 3

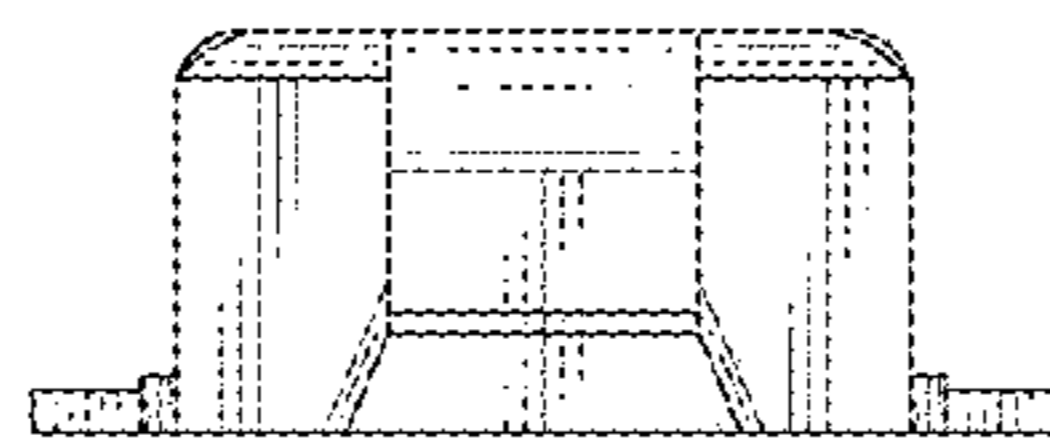


FIG. 4

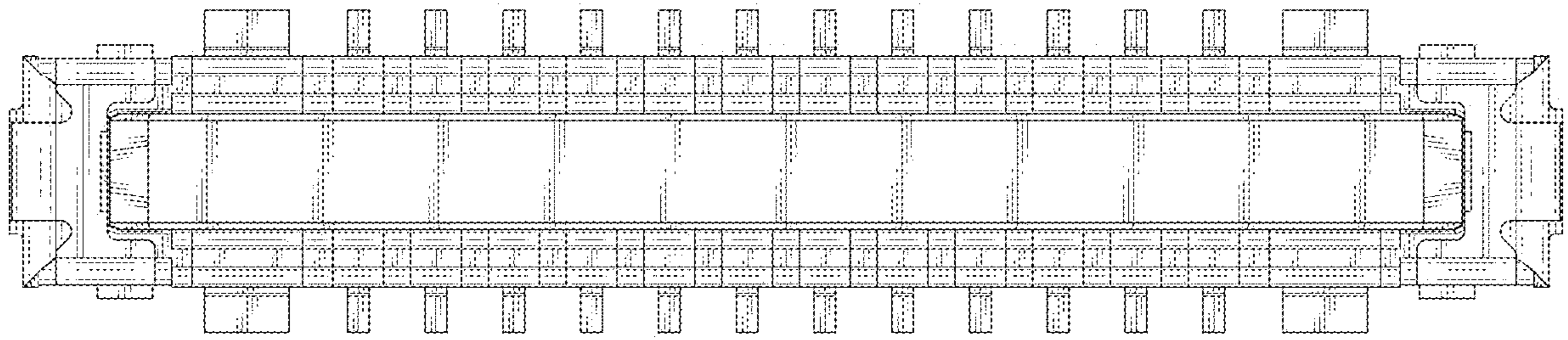


FIG. 5

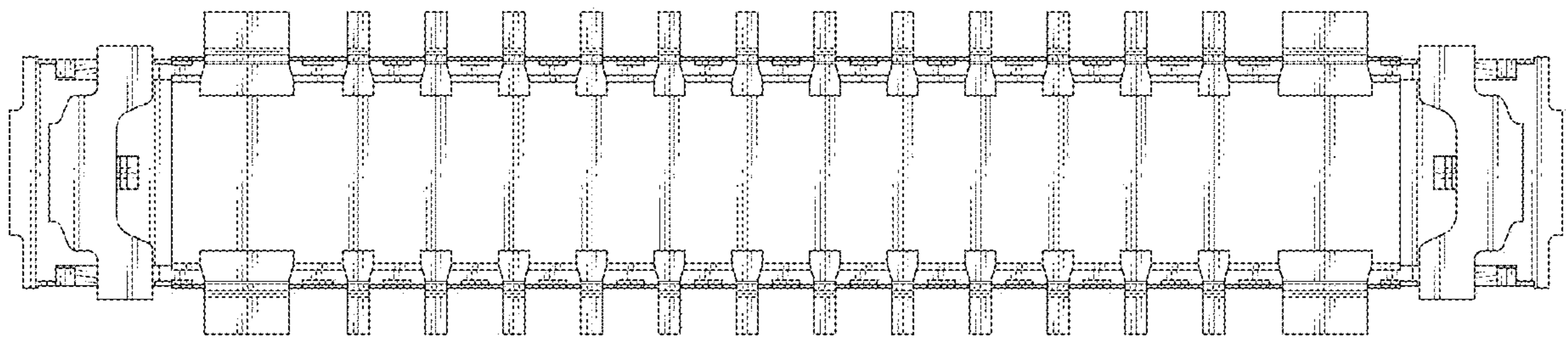


FIG. 6

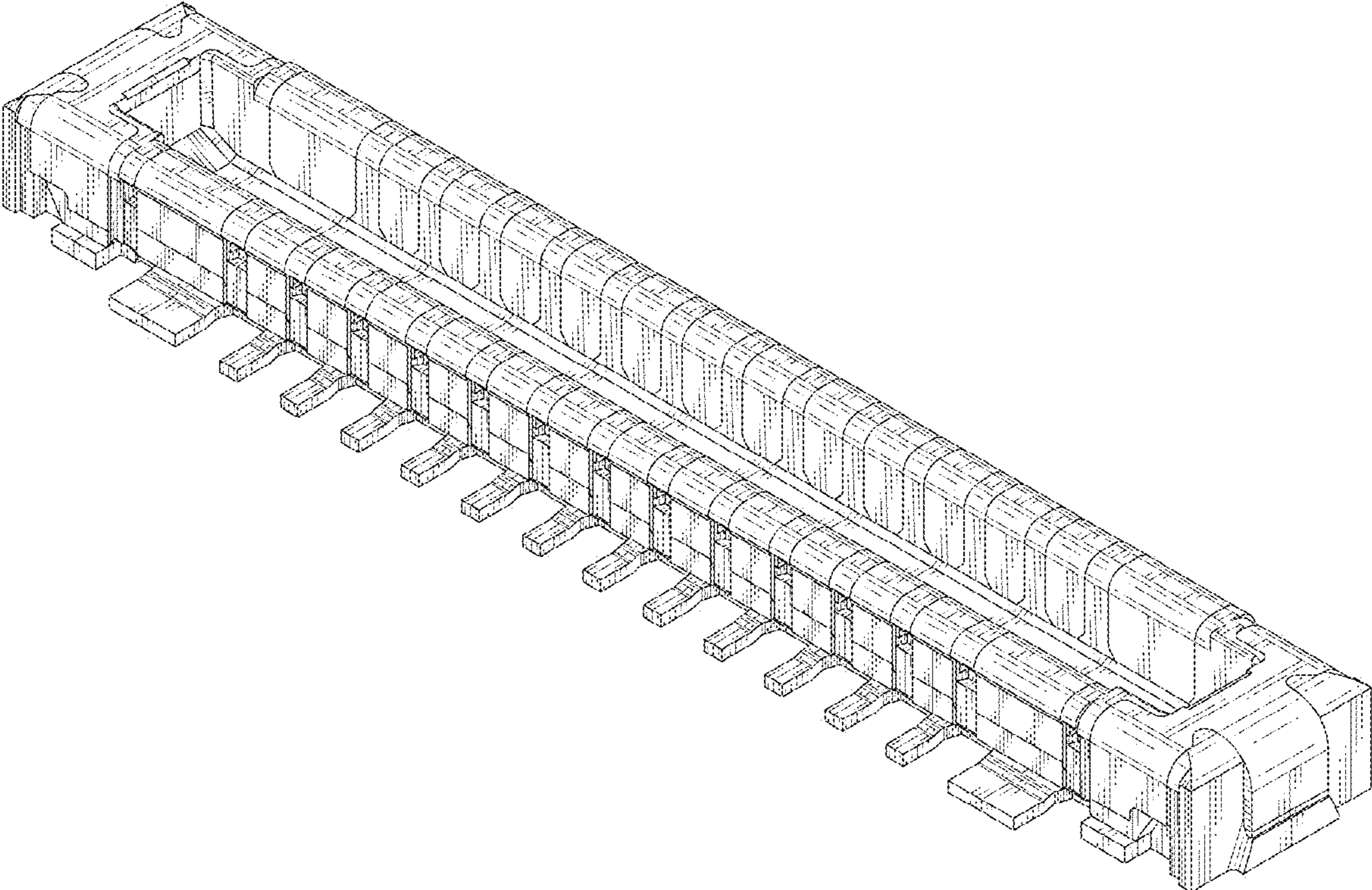


FIG. 7

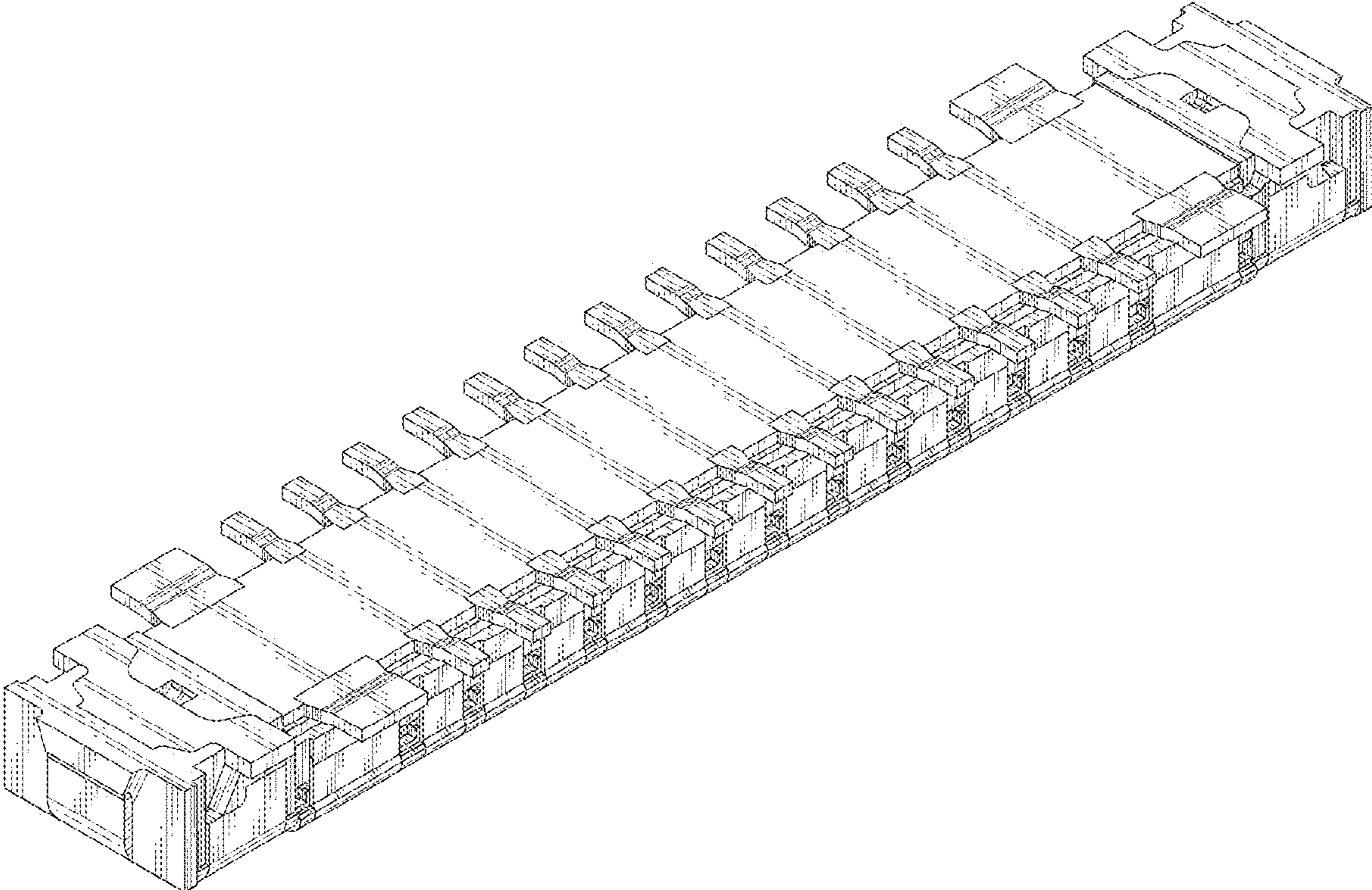


FIG. 8