



US00D987572S

(12) **United States Design Patent**
Koellmann

(10) **Patent No.:** **US D987,572 S**

(45) **Date of Patent:** **** May 30, 2023**

(54) **ELECTRICAL CONNECTOR**

FOREIGN PATENT DOCUMENTS

(71) Applicant: **WAGO Verwaltungsgesellschaft mbH**,
Minden (DE)

EP 1850417 A2 * 10/2007 H01R 13/506
JP 2006139209 A * 6/2006 G02B 6/3855

(72) Inventor: **Hans-Josef Koellmann**, Minden (DE)

OTHER PUBLICATIONS

(73) Assignee: **WAGO Verwaltungsgesellschaft mbH**,
Minden (DE)

WAGO 2273 Series Compact Pushwire Connectors, dated Apr. 17, 2016, [online], [site visited Apr. 21, 2022]. Available from Internet, URL: <https://www.youtube.com/watch?v=vhAYHF0PP8> (Year: 2016).*

(**) Term: **15 Years**

Primary Examiner — Shawn T Gingrich

(21) Appl. No.: **29/666,619**

(74) *Attorney, Agent, or Firm* — Muncy, Geissler, Olds & Lowe, P.C.

(22) Filed: **Oct. 15, 2018**

(57) **CLAIM**

(51) **LOC (14) Cl.** **13-03**

The ornamental design for a electrical connector, as shown and described.

(52) **U.S. Cl.**

USPC **D13/133; D13/147**

DESCRIPTION

(58) **Field of Classification Search**

USPC D13/107, 123, 133, 146, 147, 154, 173,
D13/183, 199

CPC . H01R 4/48; H01R 4/28; H01R 12/00; H01R
13/436; H01R 13/58; H01R 13/62; H01R
13/627; H01R 13/633; H01R 13/658

See application file for complete search history.

FIG. 1 is a front perspective view of an electrical connector according to the present invention.

FIG. 2 is a rear perspective view of the electrical connector of FIG. 1.

FIG. 3 is a front view of the electrical connector of FIG. 1.

FIG. 4 is a rear view of the electrical connector of FIG. 1.

FIG. 5 is a left side view of the electrical connector of FIG. 1.

FIG. 6 is a right side view of the electrical connector of FIG. 1.

FIG. 7 is a top view of the electrical connector of FIG. 1; and,

FIG. 8 is a bottom view of the electrical connector of FIG. 1.

The dash-dash broken line portion of the drawings is included to show portions of the article that form no part of the claimed design. The dash-dot broken line portion of the drawings is included to show claim boundaries that form no part of the claimed design.

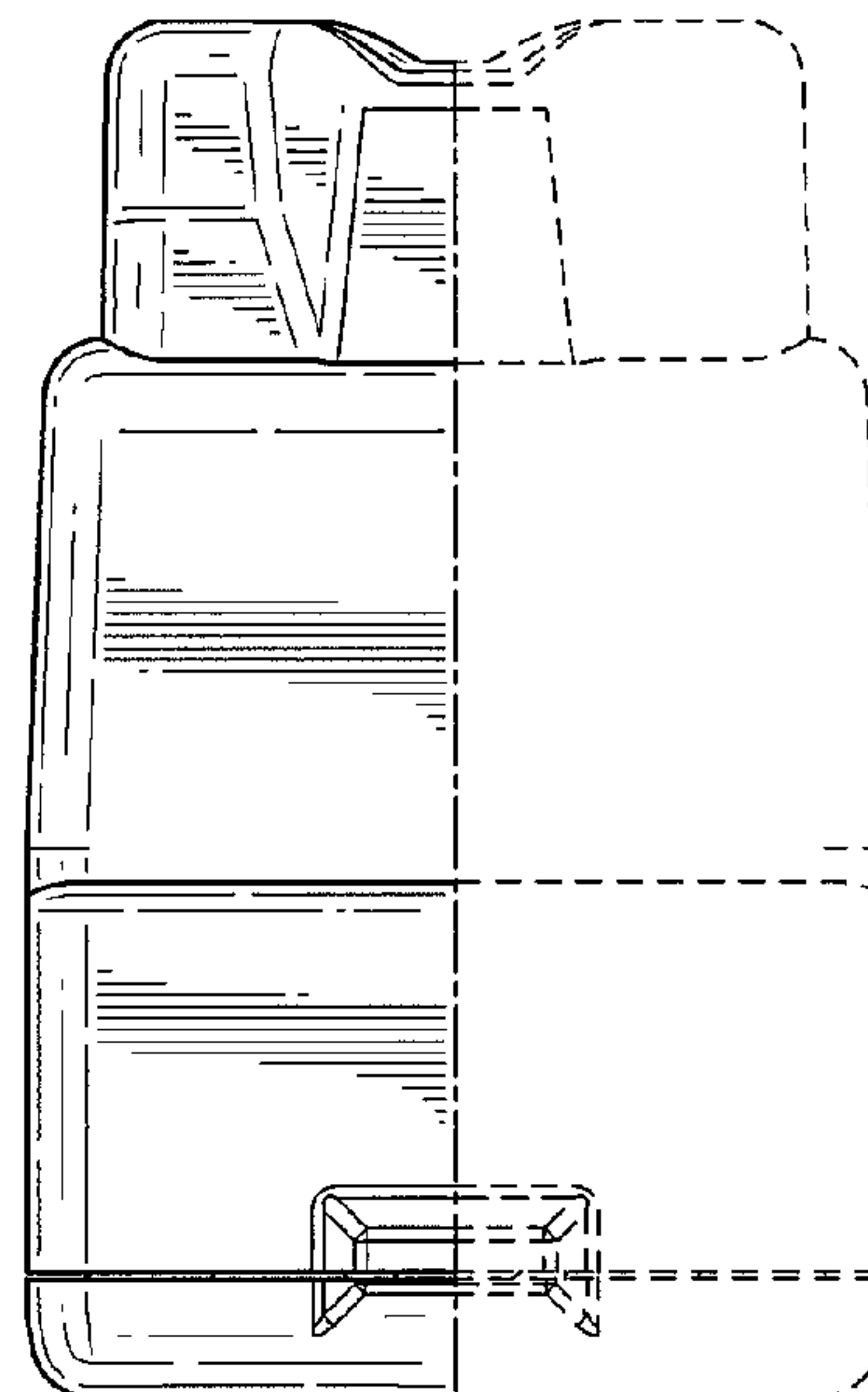
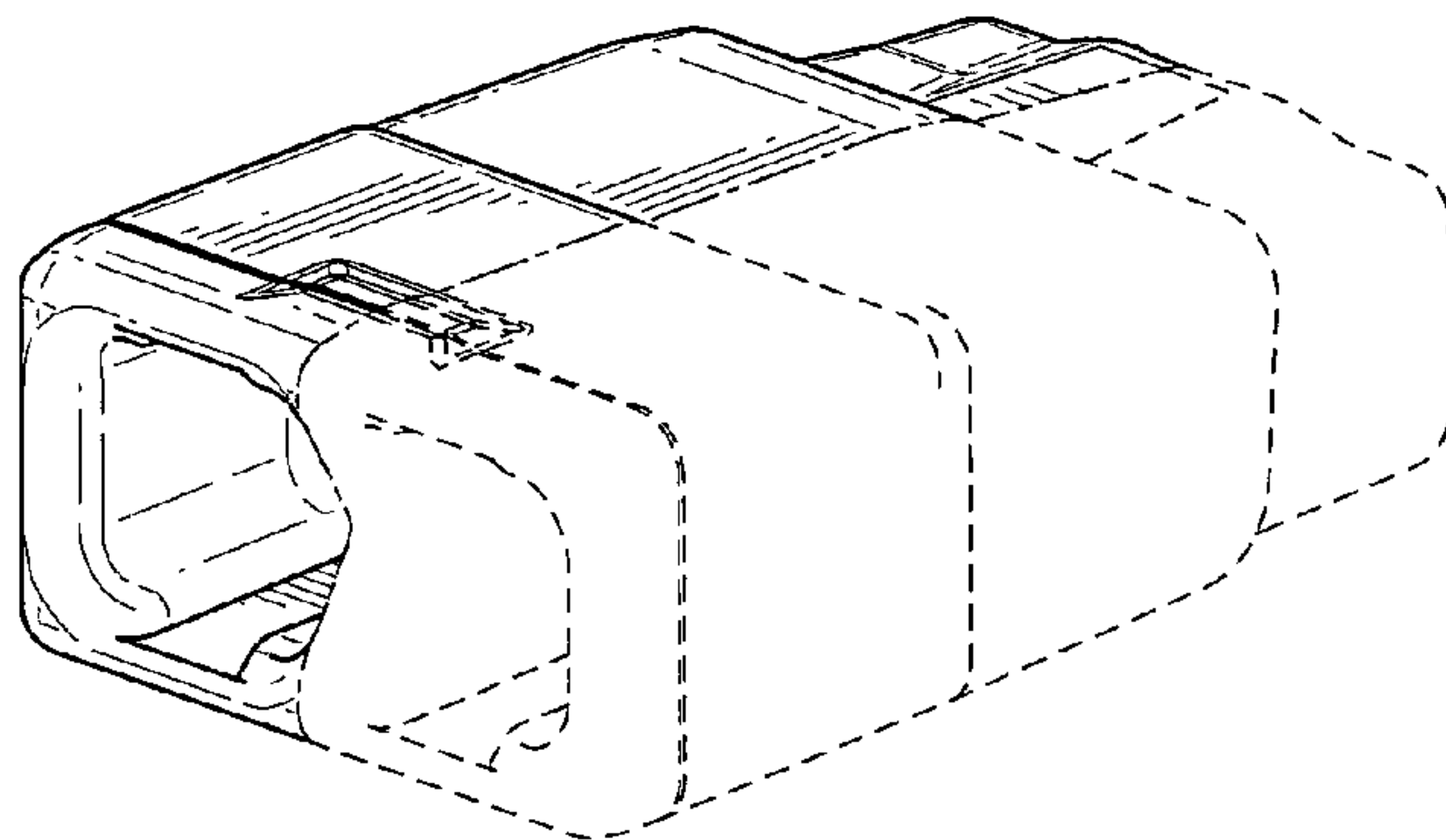
(56) **References Cited**

U.S. PATENT DOCUMENTS

3,179,738	A *	4/1965	De Lyon	H01R 13/50 439/350
D479,199	S *	9/2003	Jones	D13/147
D673,117	S *	12/2012	Gassauer	D13/133
D753,597	S *	4/2016	Bies	D13/137.1
D929,343	S *	8/2021	Rao	D13/147
D941,251	S *	1/2022	Wu	D13/147
2013/0095688	A1 *	4/2013	Koellmann	H01R 4/4845 439/358
2014/0349519	A1 *	11/2014	Gao	H01R 13/648 439/607.01

(Continued)

1 Claim, 8 Drawing Sheets



(56)

References Cited

U.S. PATENT DOCUMENTS

2015/0044897 A1* 2/2015 Wu H01R 4/4836
439/352
2015/0357728 A1* 12/2015 Chen H01R 4/48
439/725
2016/0006176 A1* 1/2016 Kollmann H01R 13/62905
439/346
2016/0352028 A1* 12/2016 Meyer H01R 11/09
2017/0207554 A1* 7/2017 Lin H01R 4/48

* cited by examiner

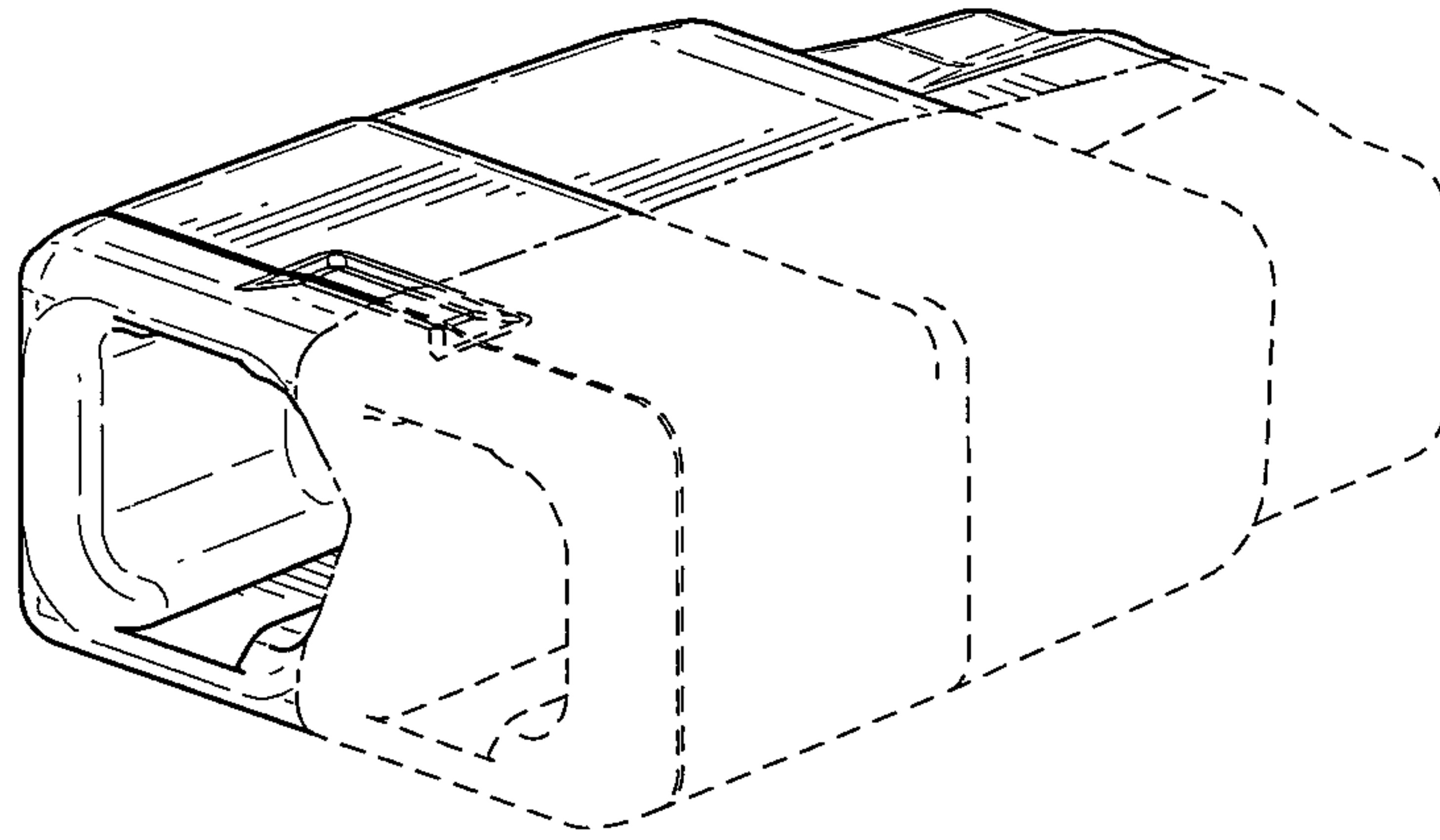


FIG.1

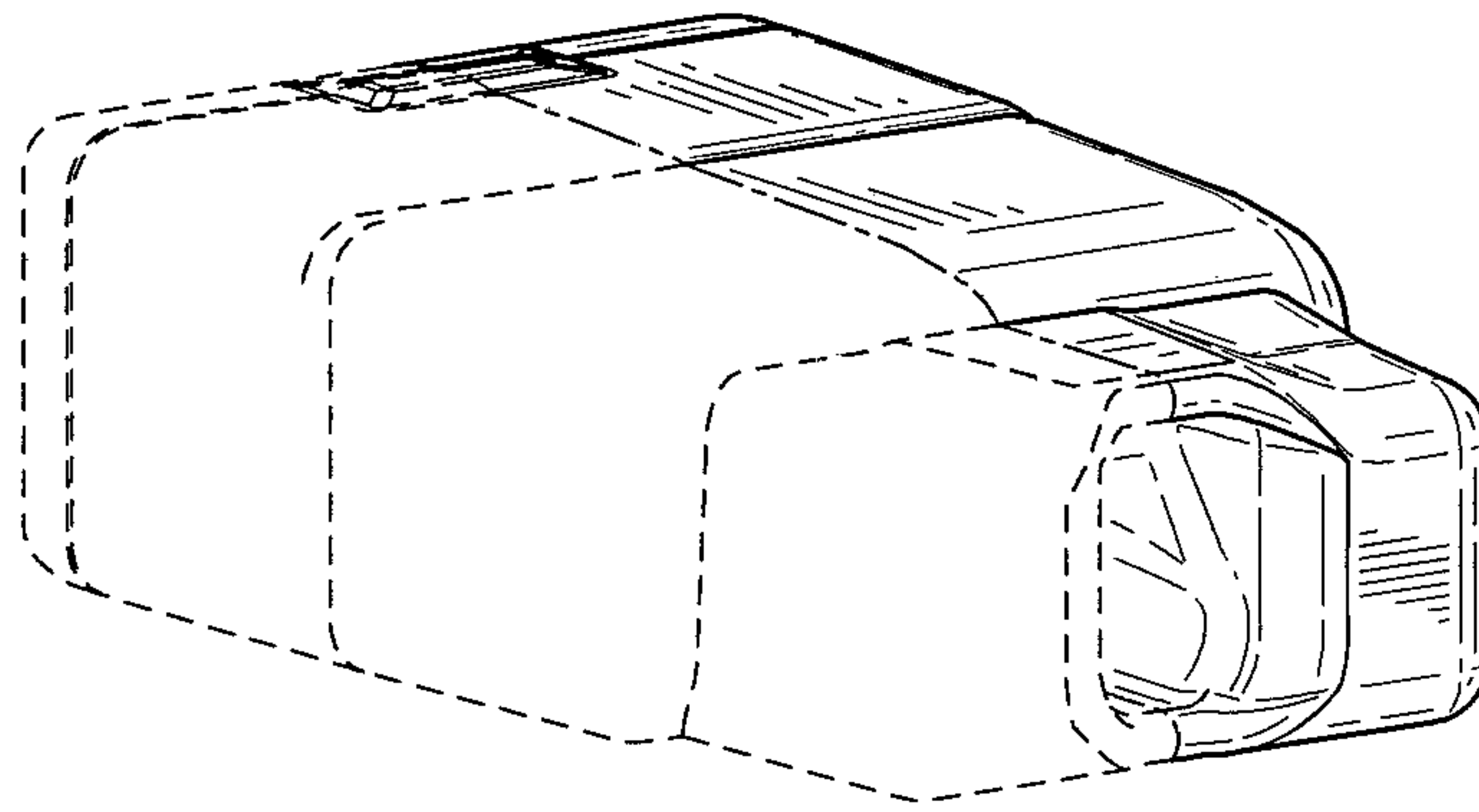


FIG.2

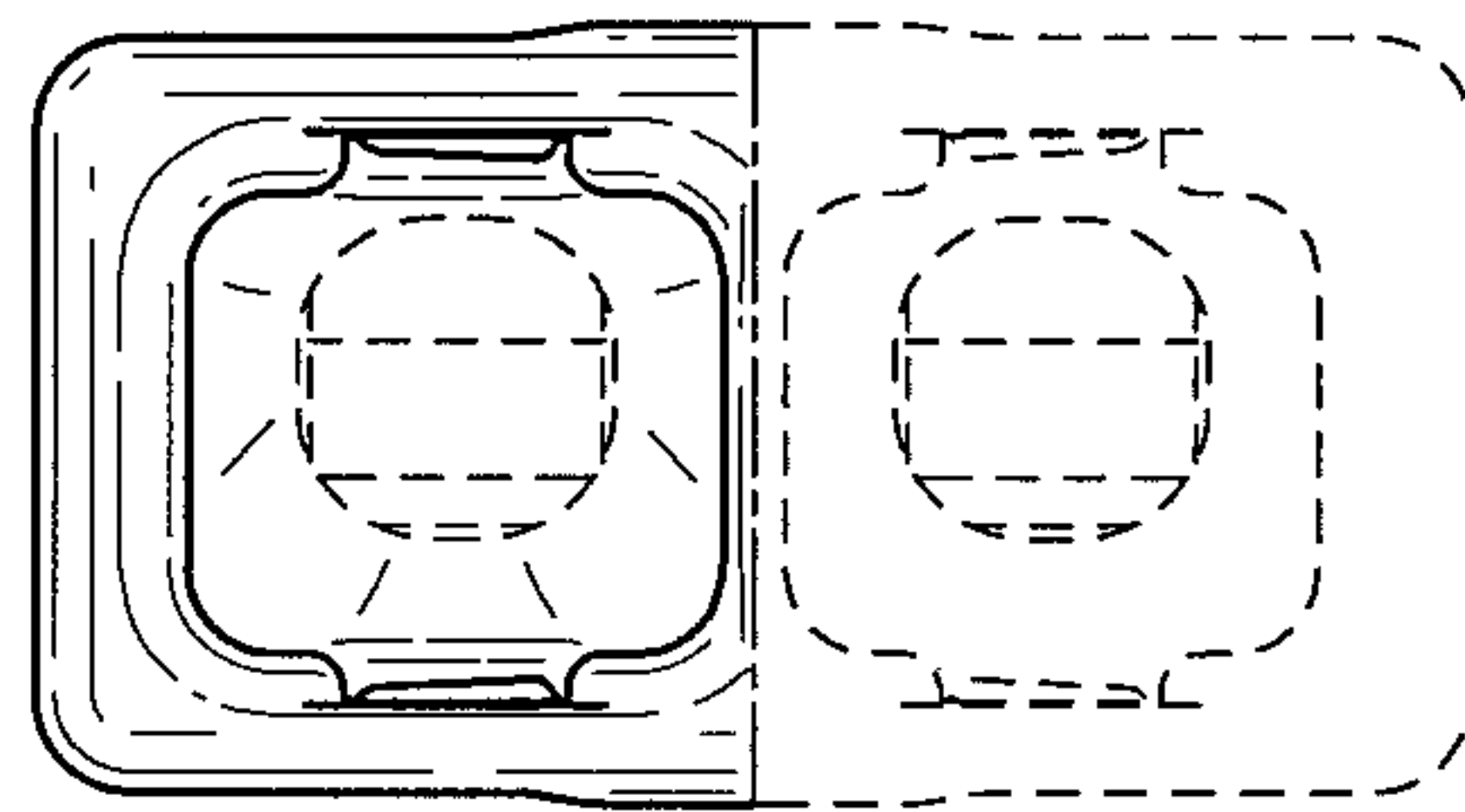


FIG.3

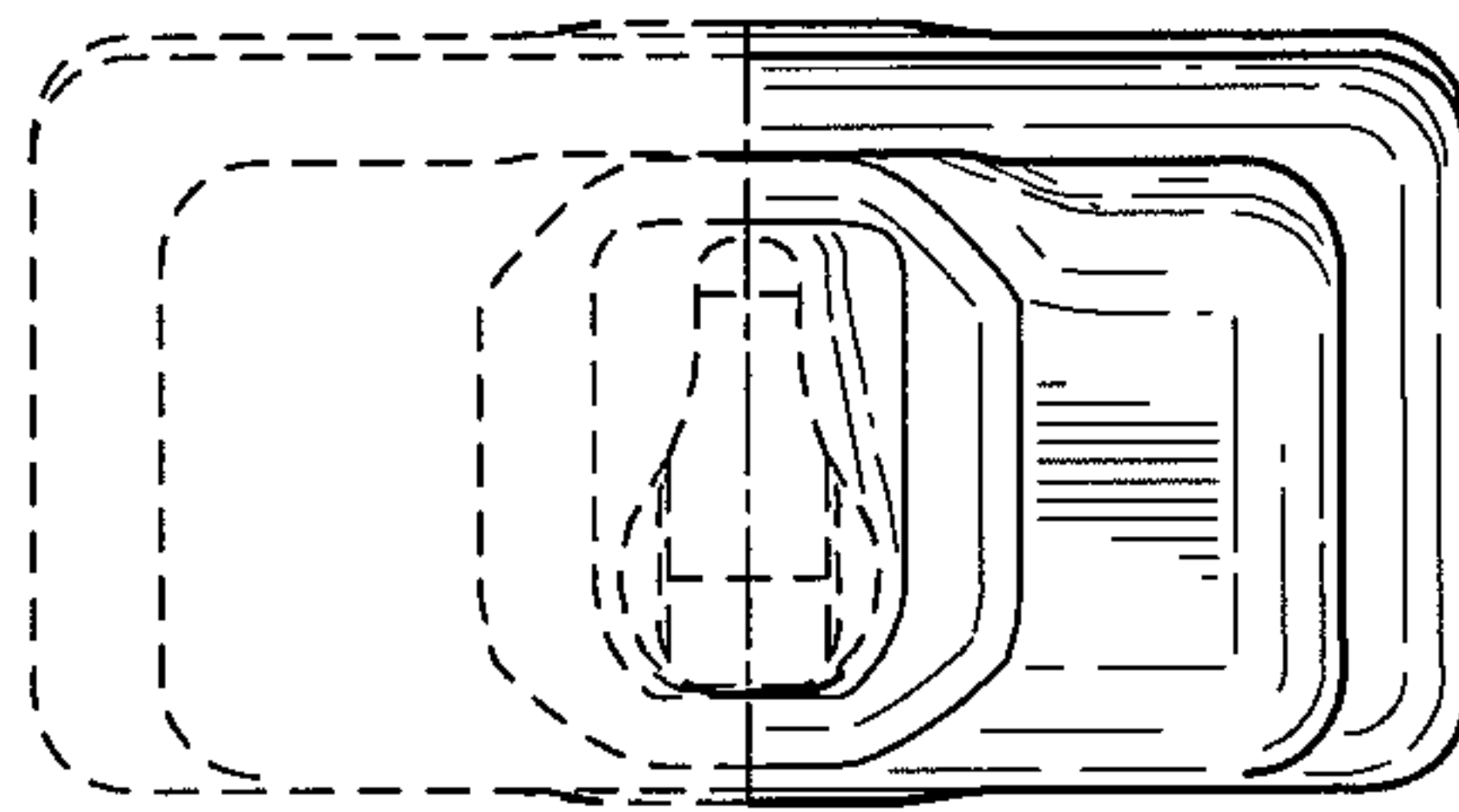


FIG.4

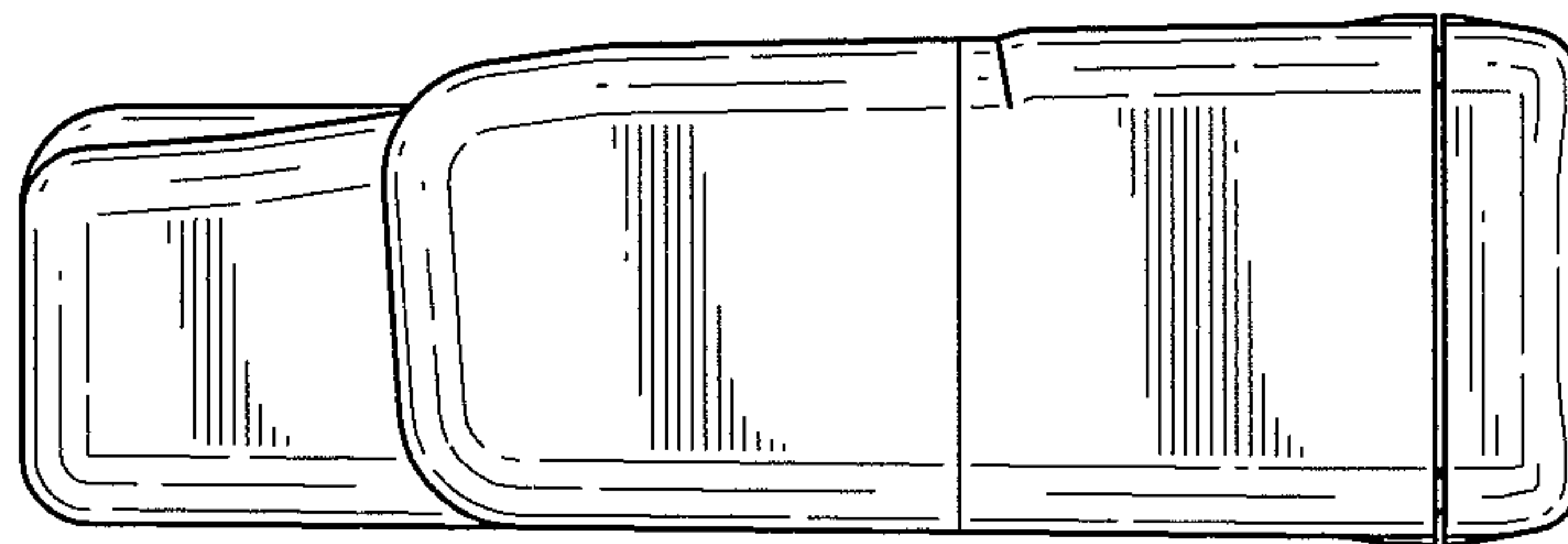


FIG.5

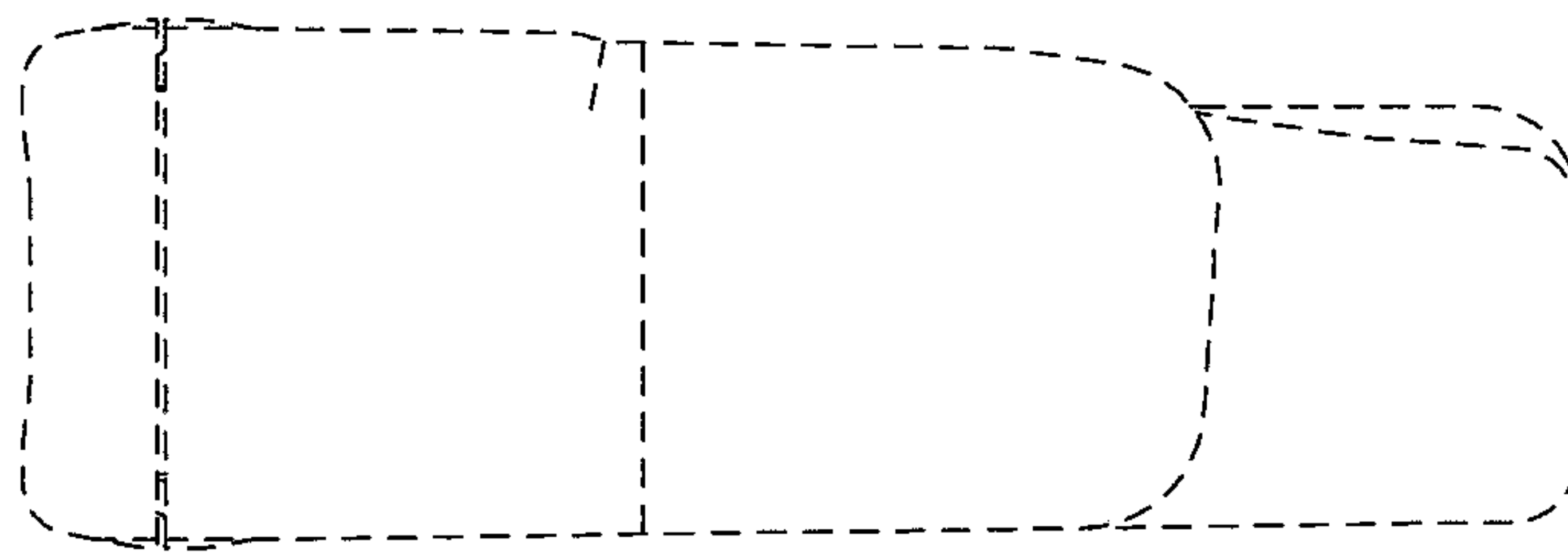


FIG.6

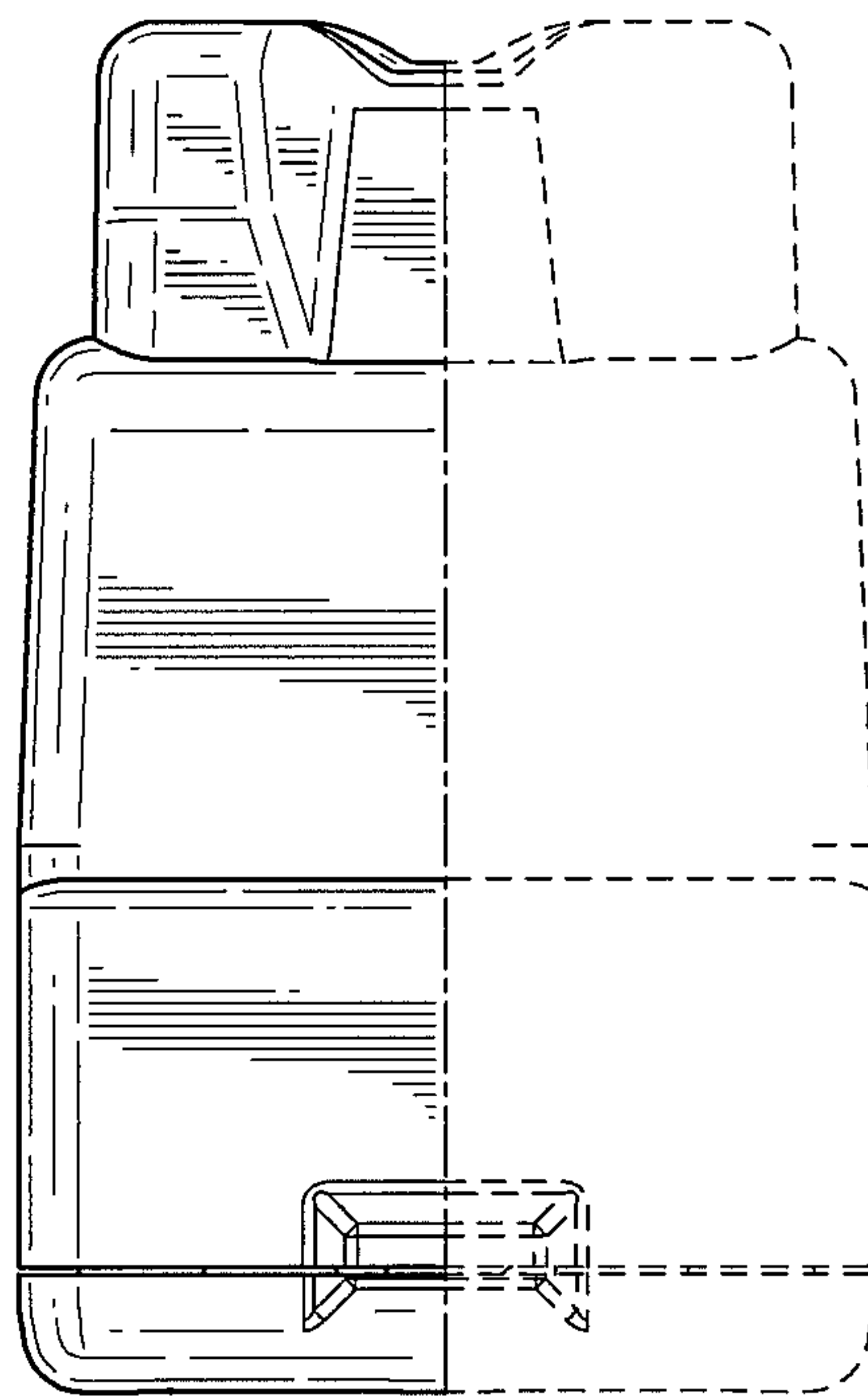


FIG.7

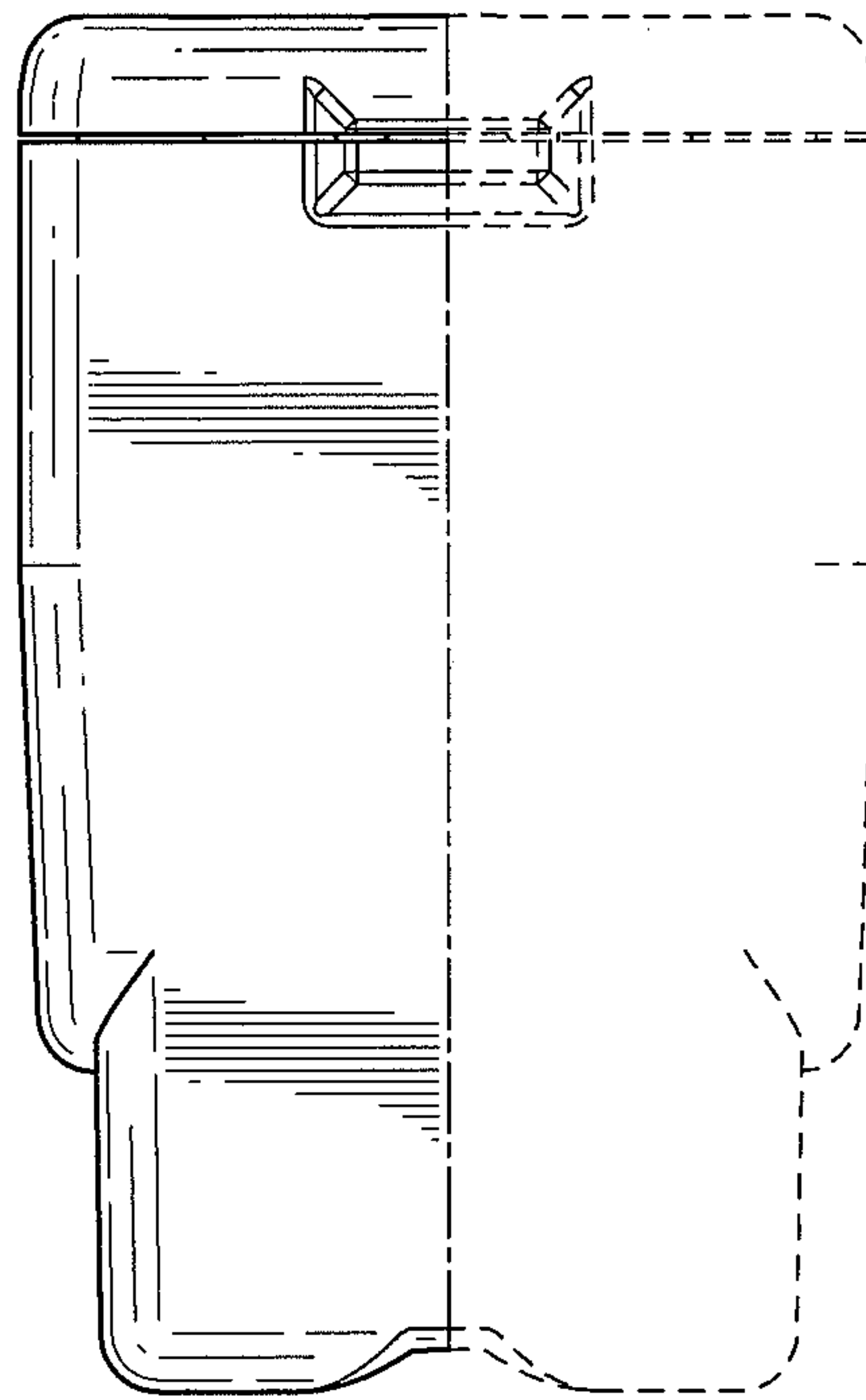


FIG.8