



US00D987570S

(12) **United States Design Patent**
Minnich et al.

(10) **Patent No.: US D987,570 S**

(45) **Date of Patent: ** May 30, 2023**

(54) **CONCRETE VIBRATOR END CAP**

(71) Applicant: **MINNICH MANUFACTURING COMPANY, INC.**, Mansfield, OH (US)

(72) Inventors: **Robert Minnich**, Ashland, OH (US);
Paul Jaworski, Shorewood, IL (US);
David Clute, Valley City, OH (US)

(73) Assignee: **MINNICH MANUFACTURING COMPANY, INC.**, Mansfield, OH (US)

(**) Term: **15 Years**

(21) Appl. No.: **29/778,054**

(22) Filed: **Apr. 9, 2021**

Related U.S. Application Data

(63) Continuation of application No. 29/651,504, filed on Aug. 20, 2018, now Pat. No. Des. 916,018.

(51) **LOC (14) Cl.** **13-01**

(52) **U.S. Cl.**
USPC **D13/112**

(58) **Field of Classification Search**
USPC D13/112, 113, 114, 118, 122, 184, 199;
D8/61, 69, 349; D15/1, 5, 7; D12/180
CPC H02K 5/14; H02K 11/026
See application file for complete search history.

(56) **References Cited**

U.S. PATENT DOCUMENTS

D236,898 S ‡	9/1975	Holther, Jr.	D13/112
D264,972 S ‡	6/1982	McMillin	D15/7
D333,473 S ‡	2/1993	Aizawa	D15/5
D334,198 S ‡	3/1993	Aizawa	D15/5
D370,683 S ‡	6/1996	Stahlman	D15/7
D429,737 S ‡	8/2000	Kuan	D15/7
D516,583 S ‡	3/2006	Strong	D15/7

D622,215 S ‡	8/2010	Heimbruch	D13/112
D739,921 S *	9/2015	Crochet, Sr.	D23/262
D803,155 S ‡	11/2017	Meyer	D13/112
D819,567 S ‡	6/2018	Garvey	D13/112
D885,867 S *	6/2020	Chapman	D8/349
D901,543 S *	11/2020	Otte	D15/7
D903,597 S *	12/2020	Pauken	D13/122
D916,018 S *	4/2021	Minnich	D13/112
11,025,125 B2 *	6/2021	Jaworski	G08C 17/00
D927,551 S *	8/2021	Hudnall	D8/382
D935,304 S *	11/2021	Fiello	D8/354
D940,203 S *	1/2022	Hudnall	D8/382

(Continued)

OTHER PUBLICATIONS

Wacker Neuson HMS. Modular Internal Vibrators For More Flexibility. 2 pages. <http://www.wackerneuson.us/en/products/concrete-technology/internal-vibrators/basic-line-internal-vibrators/>. Sep. 12, 2018. ‡

(Continued)

Primary Examiner — S. Bryan Reinholdt, Jr.

(74) *Attorney, Agent, or Firm* — Vorys, Sater, Seymour and Pease LLP; Mark A. Watkins

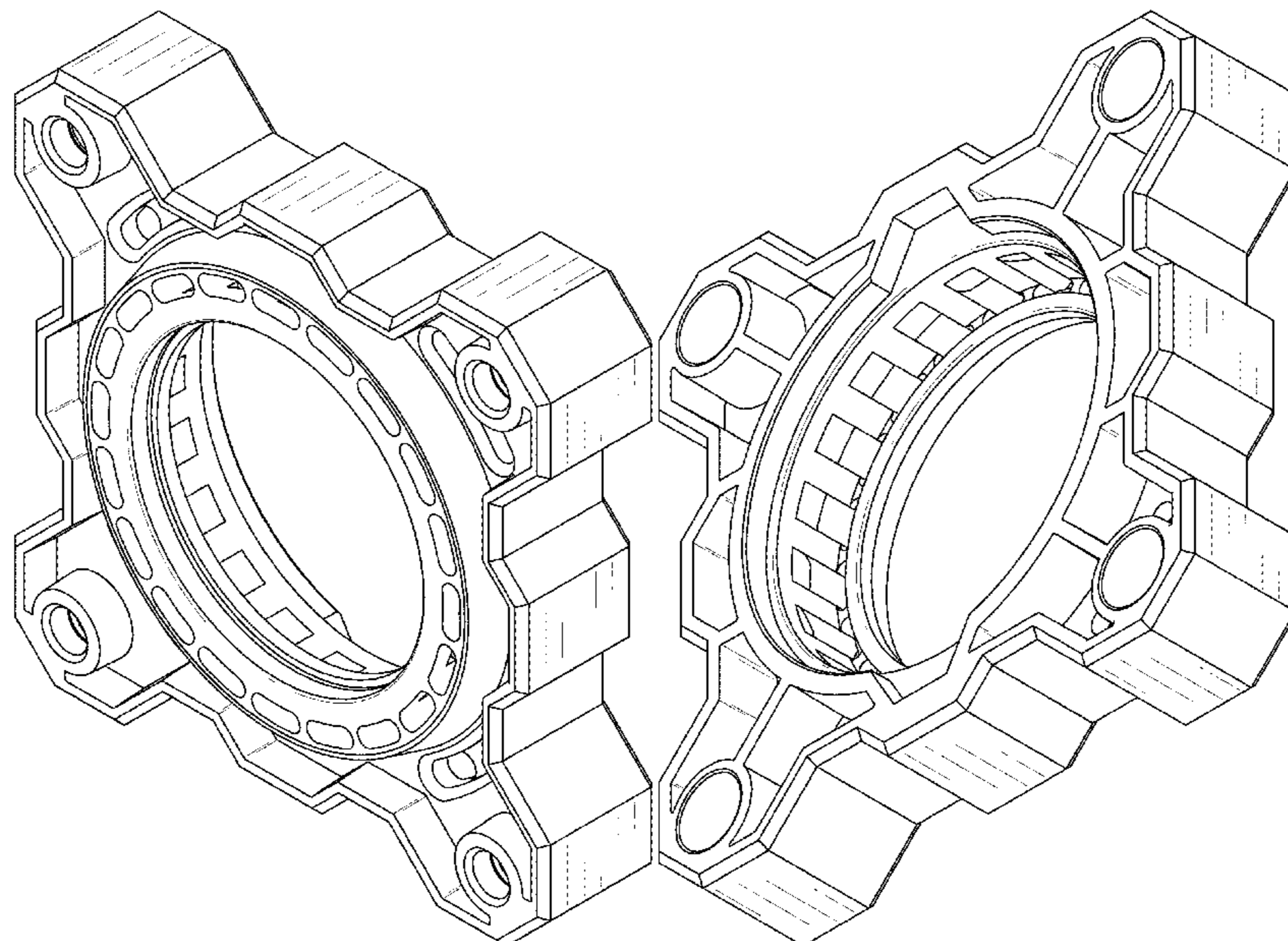
(57) **CLAIM**

The ornamental design for a concrete vibrator end cap, as shown and described.

DESCRIPTION

FIG. 1 is an upper front perspective view thereof;
FIG. 2 is a lower back perspective view thereof
FIG. 3 is a front view thereof;
FIG. 4 is a back view thereof;
FIG. 5 is a left side view thereof;
FIG. 6 is a right side view thereof;
FIG. 7 is a top view thereof; and,
FIG. 8 is a bottom view thereof.

1 Claim, 6 Drawing Sheets



(56)

References Cited

U.S. PATENT DOCUMENTS

2006/0125333 A1 ‡ 6/2006 Wehner H02K 5/20
310/54
2012/0092948 A1 ‡ 4/2012 Heimbruch E04G 21/08
366/128
2019/0207465 A1 ‡ 7/2019 Jaworski H02K 5/14

OTHER PUBLICATIONS

Oztec Products. Concrete Vibrating Motors—Electric. 1 page. http://www.oztec.com/electric_power_units.htm. Sep. 12, 2018. ‡
Wyco Flex Shaft Concrete Vibrators. Sure Speed 2.0 and 995 User Manual. VBR-UM-02653-EN-02 (May 2018). 20 pages. ‡
Badger Meter. 995 Electric Motor Vibrator. 6 pages. <https://www.badgermeter.com/business-lines/wyco/995-electric-motor-vibrator/?sizeunitid=d86d4cfa2b9b4d83af417427f1443512&sizeminvalue=-2147483648&sizemaxvalue=2147483647>. Sep. 12, 2018. ‡
MQ MultiQuip Flex-Shaft Vibrators. 5 pages, <http://www.multiquip.com/multiquip/flex-shaft-vibrators.htm>. Sep. 12, 2018. ‡
Northrock Industries—Electric Vibrators. 3 pages. <http://www.northrockindustries.com/ElectricVibrators>. Sep. 12, 2018. ‡
Minnich Concrete Vibrators & Dowel Pin Drills. Flex Shaft Vibrators, Electric and Gasoline Specification Sheets. 4 pages. ‡
MQ MultiQuip CV Series Vibrator Motor Operation and Parts Manual—Rev. #1 (Apr. 9, 2018). ‡
Minnich website, Blog article, Published Feb. 14, 2018, [site visited Mar. 11, 2020], Available on the Internet URL <https://www.minnich->

[mfg.com/news/article/minnich-manufacturing-launches-stinger-flex-shaft-vibrator-at-world-of-concrete-2018](https://www.minnich-mfg.com/news/article/minnich-manufacturing-launches-stinger-flex-shaft-vibrator-at-world-of-concrete-2018) (Year: 2018). ‡
Construction Equipment website, Published Jan. 29, 2018, [site visited Mar. 11, 2020], Available on the Internet URL <https://www.constructionequipment.com/minnich-stinger-concrete-vibrator> (Year: 2018). ‡
Construction for Pros, Minnich Vibrator, Published Dec. 15, 2017, [site visited Mar. 11, 2020], Available on the Internet <https://www.forconstructionpros.com/concrete/equipment-products/vibrating-equipment/product/20986167/minnich-mfg-inc-minnich-stinger-electric-flex-shaft-concrete-vibrator#&gid=1&pid=1> (Year: 2017). ‡
Minnich website, Blog article, Published Dec. 12, 2018, [site visited Mar. 11, 2020], Available on the Internet URL <https://www.minnich-mfg.com/news/article/the-use-of-controlled-frequency-vibration-cfv-technology-and-its-applications-in-construction-continue-to-grow> (Year: 2018). ‡
Wacker Neuson HMS. Modular Internal Vibrators For More Flexibility. 2 pages, <http://www.wackerneuson.us/en/products/concrete-technolog/internal-vibrators/basic-line-internal-vibrators/>. Sep. 12, 2018.
Badger Meter. 995 Electric Motor Vibrator. 6 pages, <https://www.badgermeter.com/business-lines/wyco/995-electric-motor-vibrator/?sizeunitid=dB6d4cfa2b9b4d83af41742711443512&sizeminvalue=-2147483648&sizemaxvalue=2147483647>. Sep. 12, 2018.

* cited by examiner

‡ imported from a related application

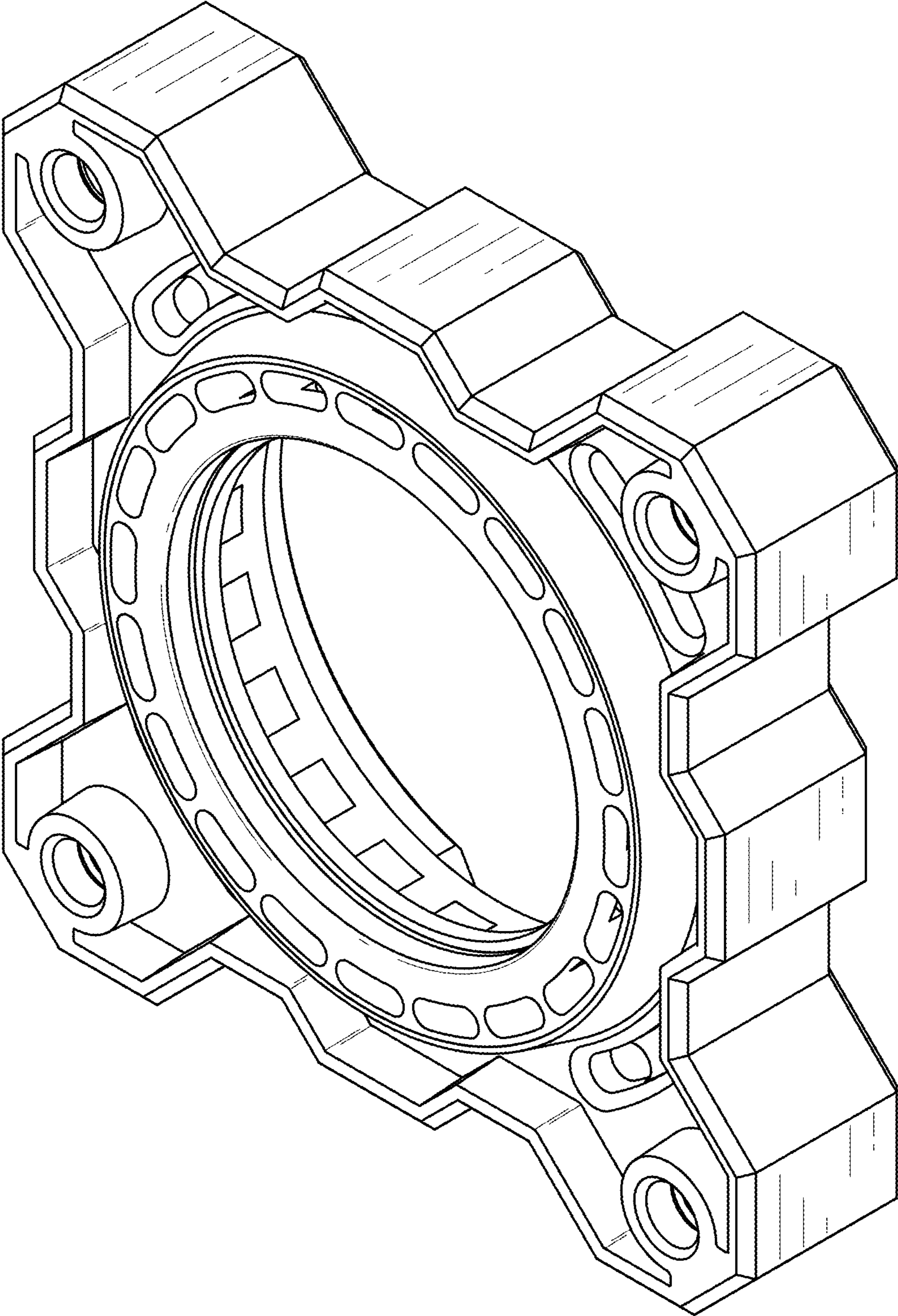


FIG. 1

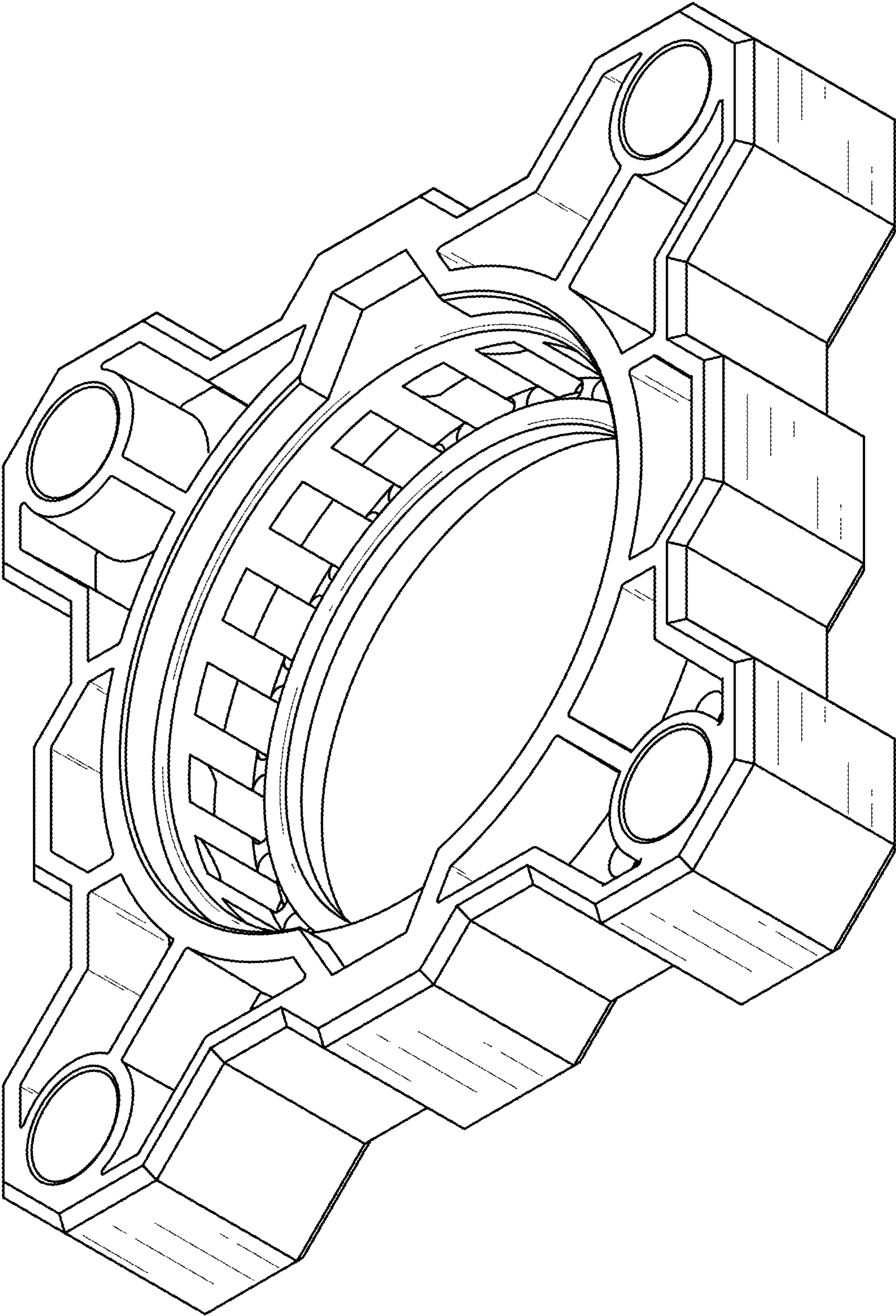


FIG. 2

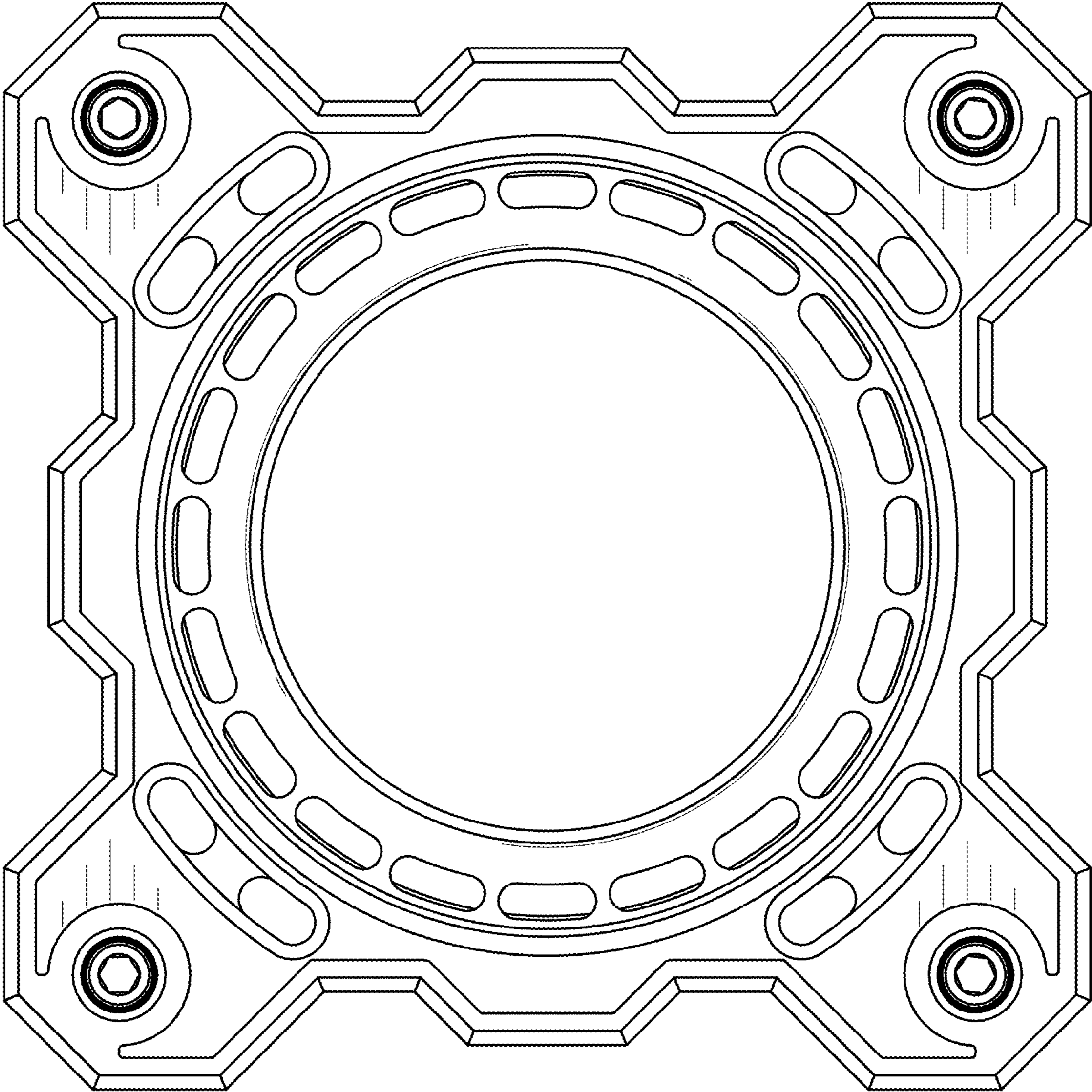


FIG. 3

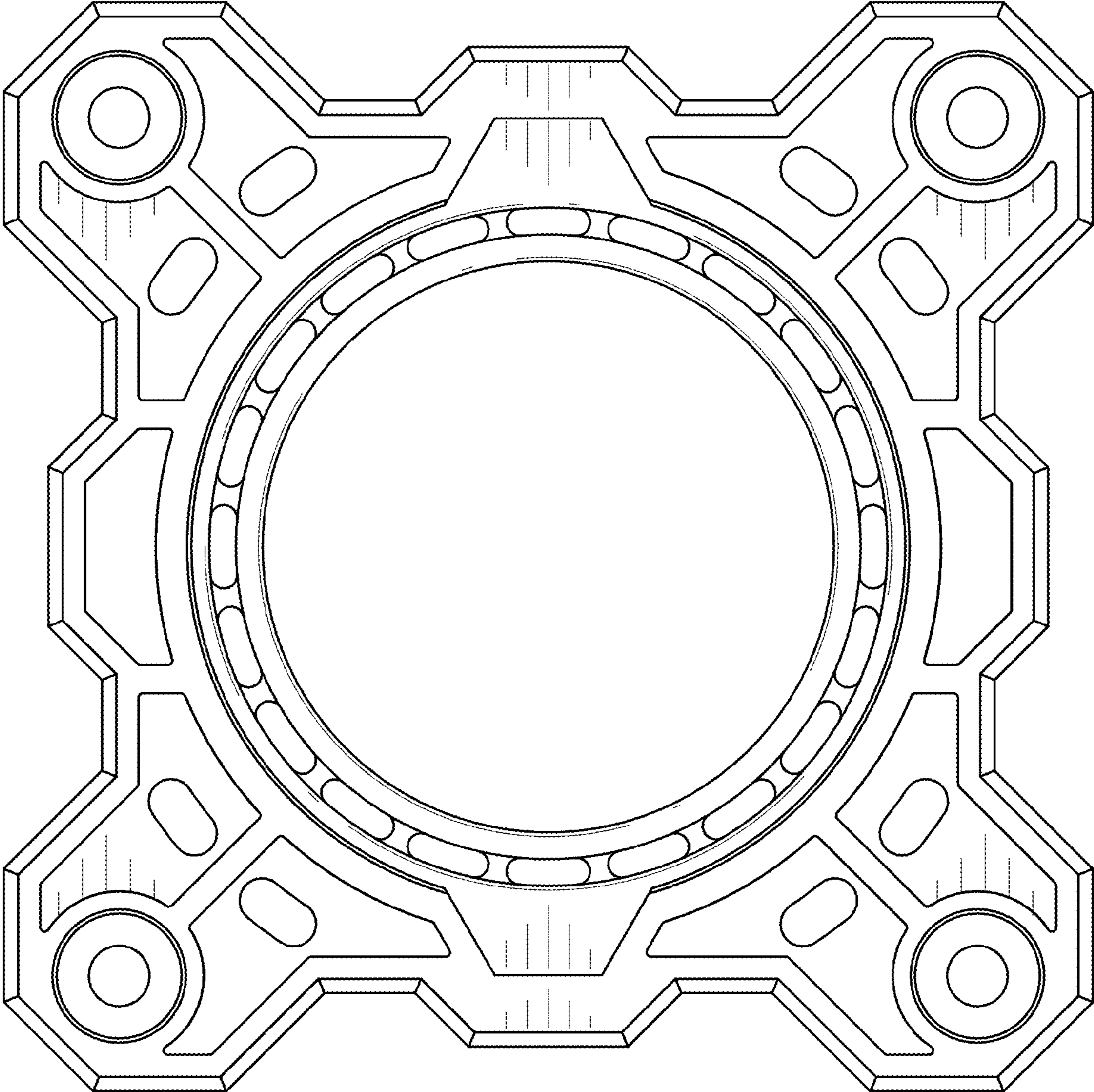


FIG. 4

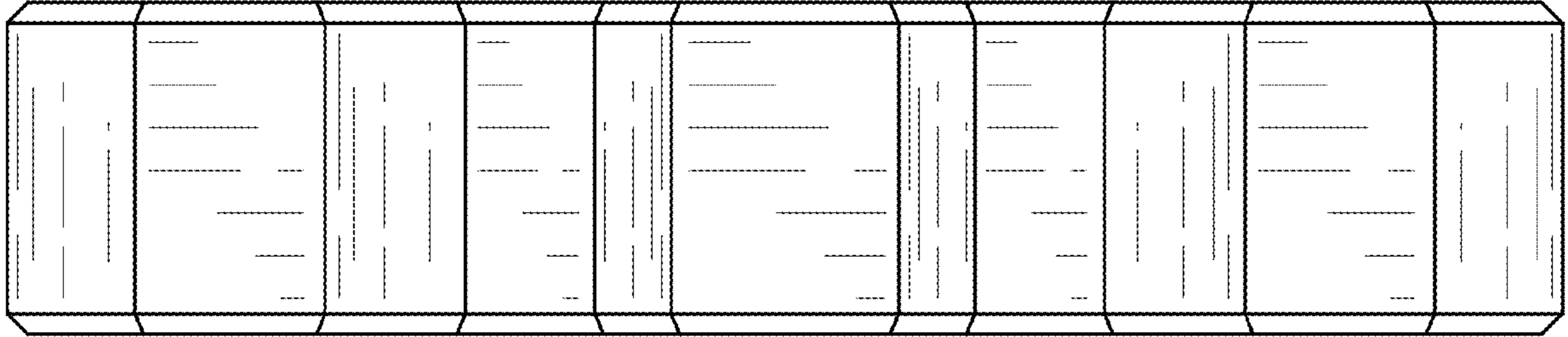


FIG. 5

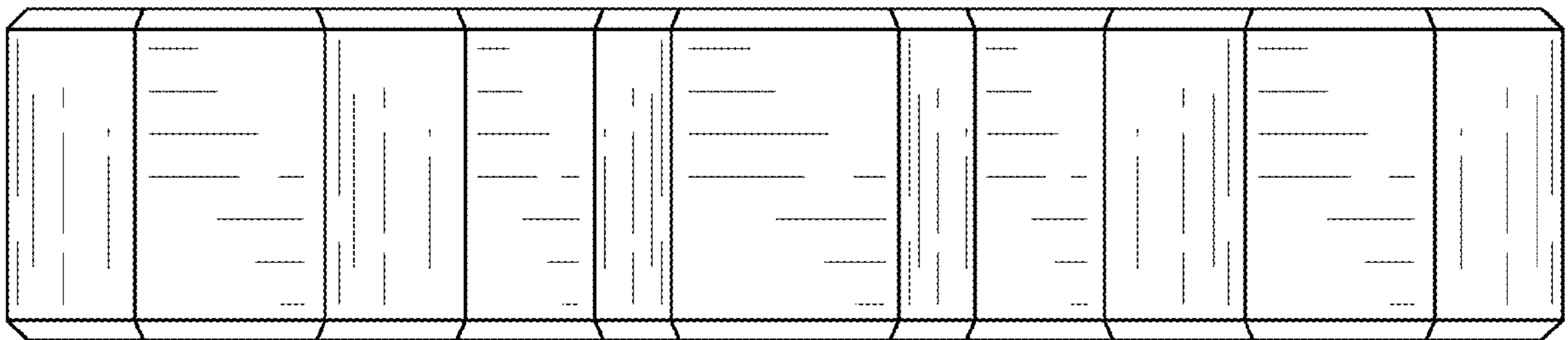


FIG. 6

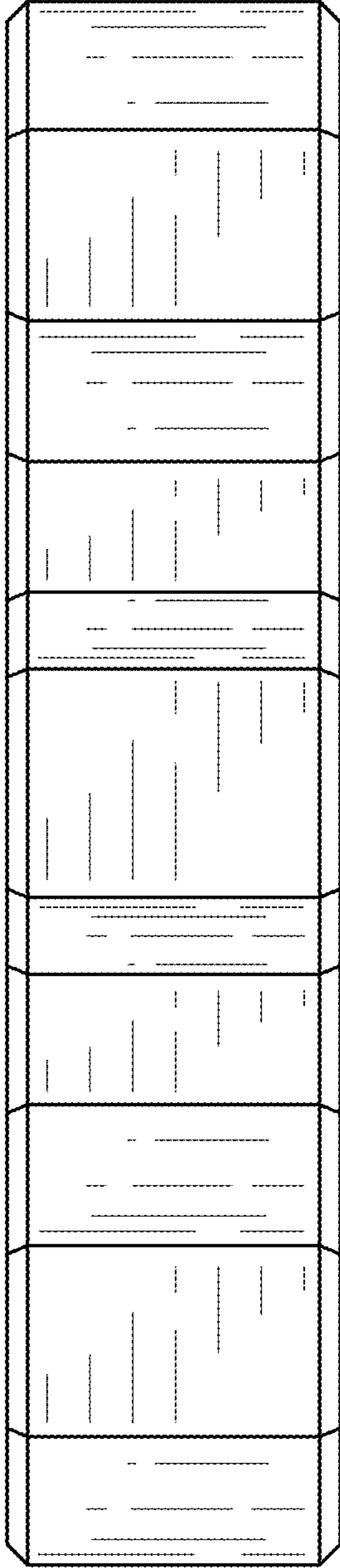


FIG. 7

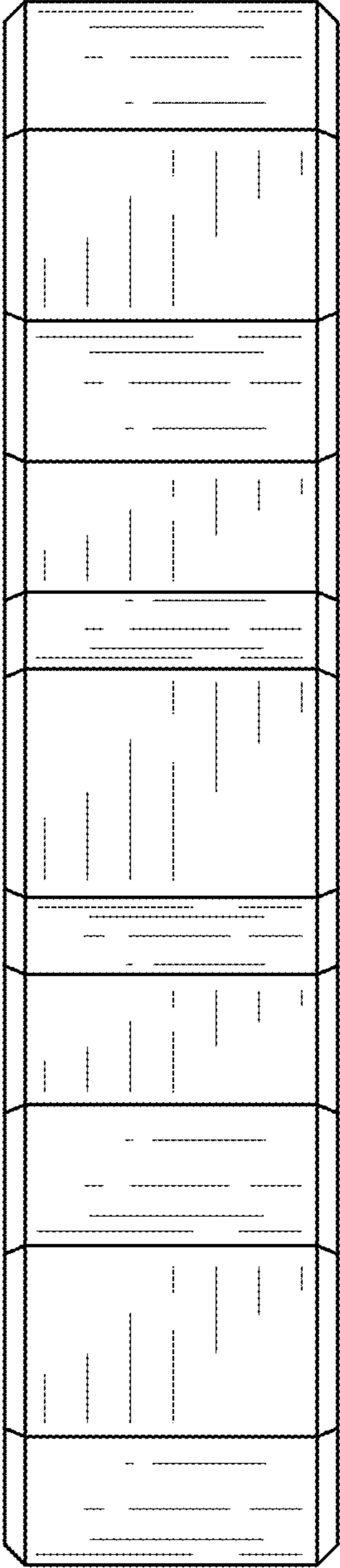


FIG. 8