



US00D987569S

(12) **United States Design Patent**  
**Duan**

(10) **Patent No.:** **US D987,569 S**

(45) **Date of Patent:** **\*\* May 30, 2023**

(54) **ENERGY STORAGE POWER SUPPLY**

(71) Applicant: **Tarsdak Technology Limited,**  
Shenzhen (CN)

(72) Inventor: **Jianjun Duan,** Hengnan (CN)

(\*\*) Term: **15 Years**

(21) Appl. No.: **29/790,046**

(22) Filed: **Nov. 2, 2021**

(51) **LOC (14) Cl.** ..... **13-02**

(52) **U.S. Cl.**  
USPC ..... **D13/110**

(58) **Field of Classification Search**

USPC ..... D13/101, 102, 103, 107, 108, 110, 118,  
D13/119, 123, 184, 199; D14/251, 253,  
D14/432, 434

CPC .. H02J 7/00; H02J 7/027; H02J 7/0042; H02J  
7/0045; H02J 7/0047; H02J 7/0063; H02J  
7/32; H02J 7/342; H02J 7/1423; H02M  
7/00; H02M 7/003; H01M 2/202; H01M  
2/204; H01M 2/1022; H01M 2/342;  
H05K 5/0247; H05K 7/1432; Y02T  
10/7005; Y02T 10/705; Y02T 10/7088;  
F21L 4/00; Y02E 60/12; Y02E 60/50

See application file for complete search history.

(56) **References Cited**

**U.S. PATENT DOCUMENTS**

D377,335 S \* 1/1997 Katooka ..... D13/110  
D506,724 S \* 6/2005 Hriscu ..... D13/107  
D690,738 S \* 10/2013 York ..... D14/188  
D813,161 S \* 3/2018 Ortakales ..... D13/110

D883,206 S \* 5/2020 Bai ..... D13/110  
D887,357 S \* 6/2020 Liao ..... D13/110  
D929,935 S \* 9/2021 Yin ..... D13/103  
D930,585 S \* 9/2021 Yu ..... D13/110  
2019/0013686 A1\* 1/2019 Ma ..... G06F 3/01

\* cited by examiner

*Primary Examiner* — Derrick E Holland

(74) *Attorney, Agent, or Firm* — Rumit Ranjit Kanakia

(57) **CLAIM**

The ornamental design for an energy storage power supply,  
as shown and described.

**DESCRIPTION**

FIG. 1 is a first perspective view of an energy storage power  
supply showing my new design;

FIG. 2 is a second perspective view thereof;

FIG. 3 is a front view thereof;

FIG. 4 is a back view thereof;

FIG. 5 is a left side view thereof;

FIG. 6 is a right side view thereof;

FIG. 7 is a top view thereof;

FIG. 8 is a bottom view thereof;

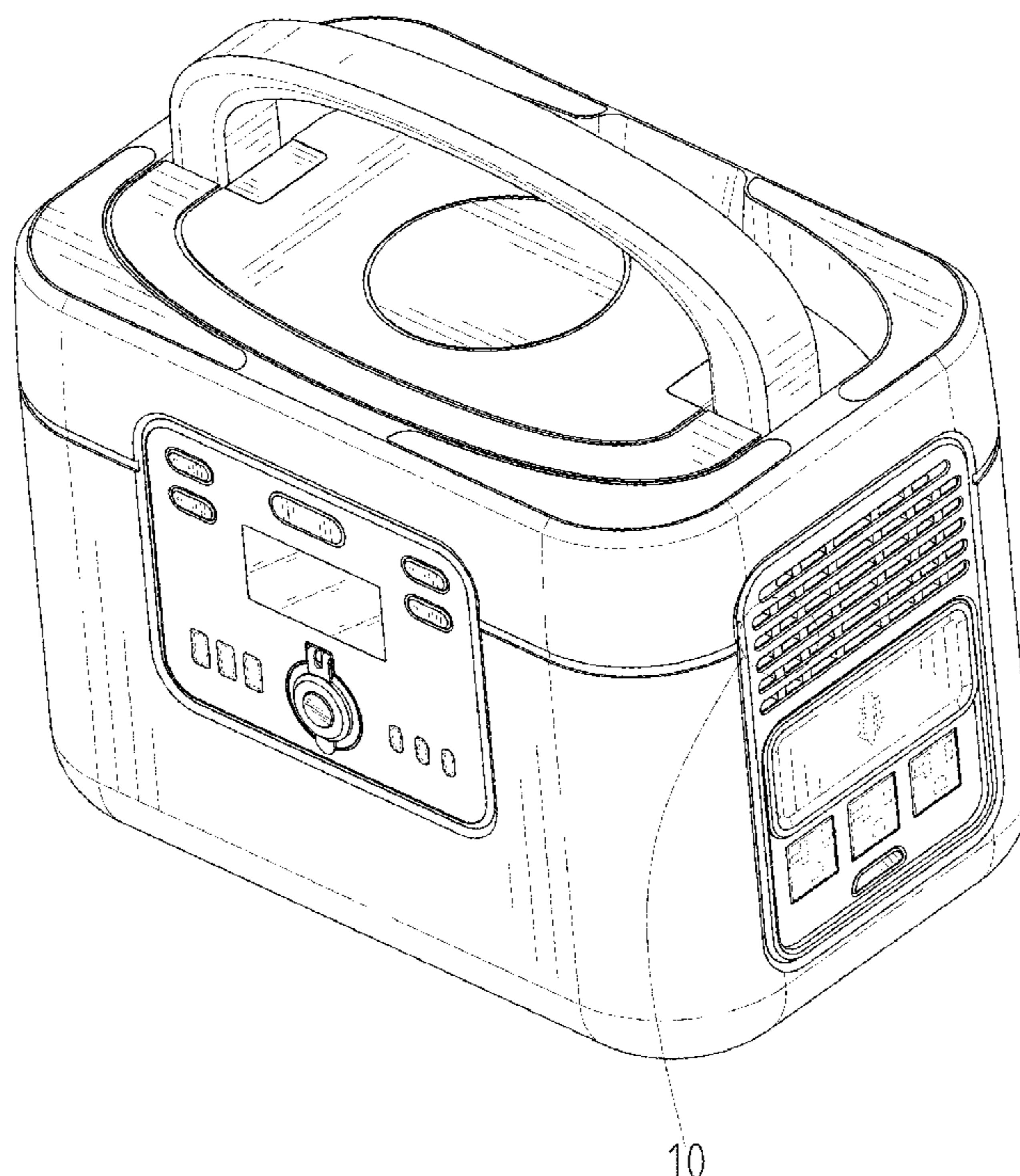
FIG. 9 is a perspective view of another state of the energy  
storage power supply thereof;

FIG. 10 is an enlarged view of the selected portion in FIG.  
1; and,

FIG. 11 is an enlarged view of the selected portion in FIG.  
2.

The broken lines shown in the drawings depict portions of  
the energy storage power supply in which the design is  
embodied that form no part of the claimed design.

**1 Claim, 11 Drawing Sheets**



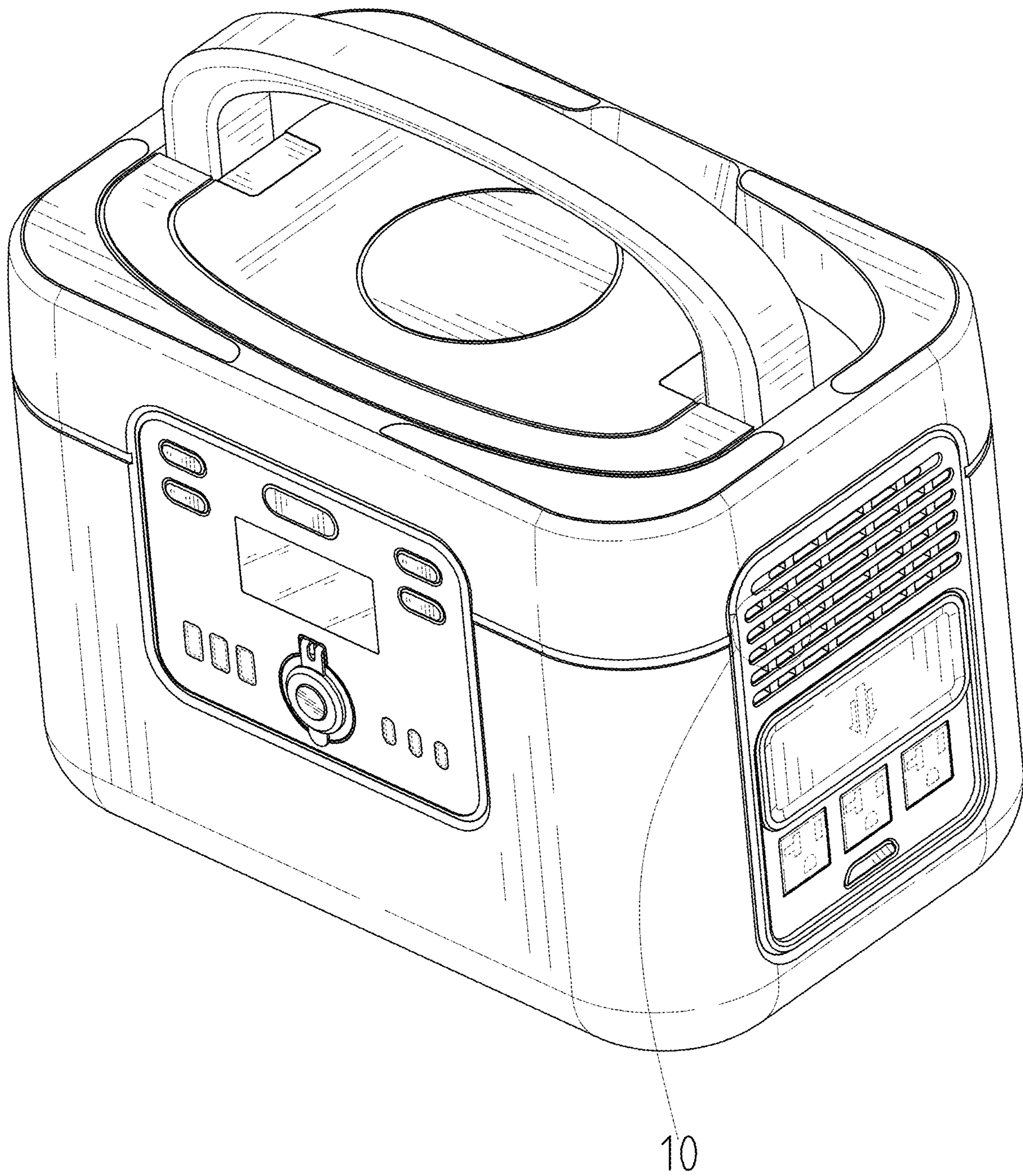


FIG. 1

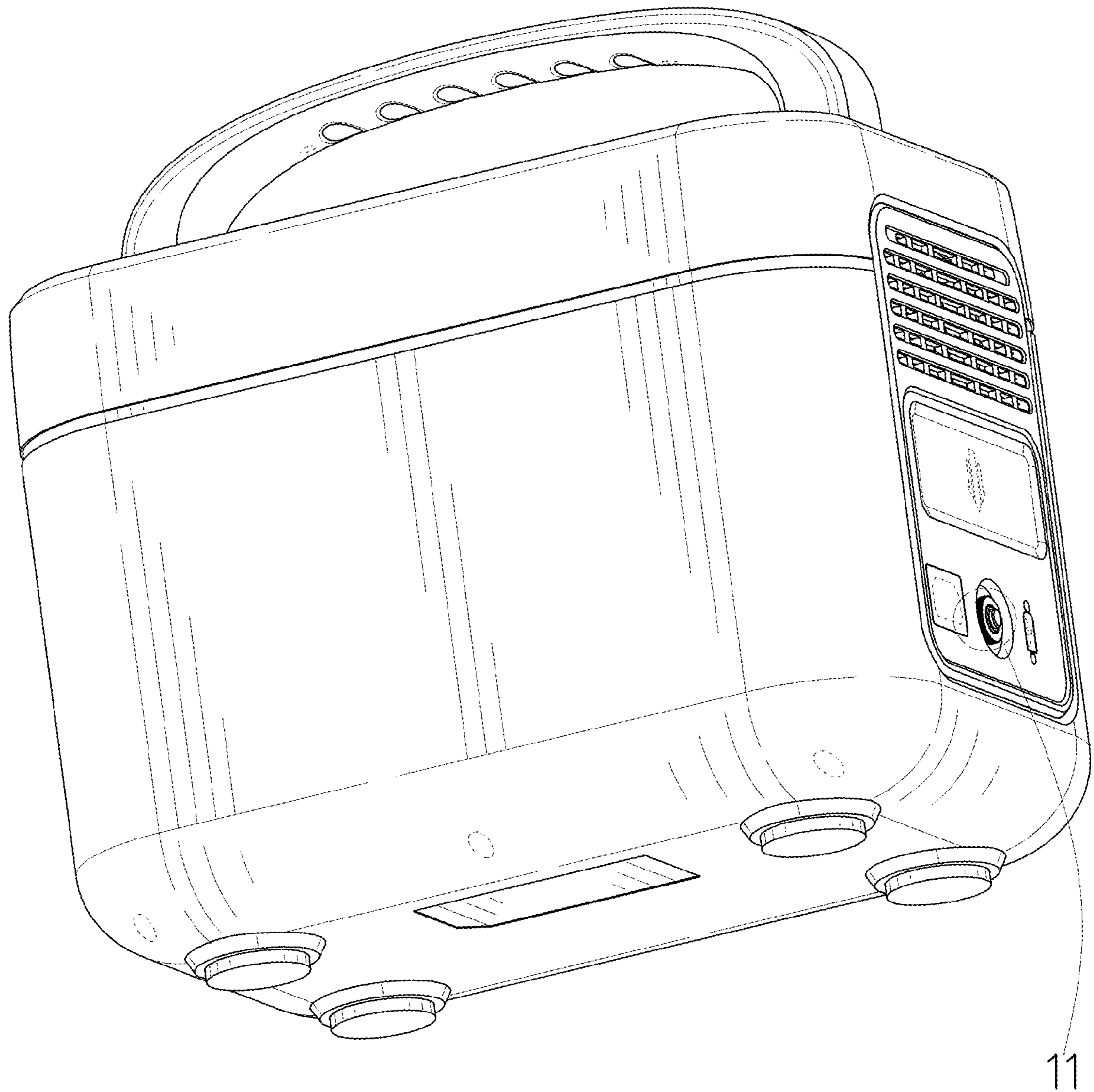


FIG. 2

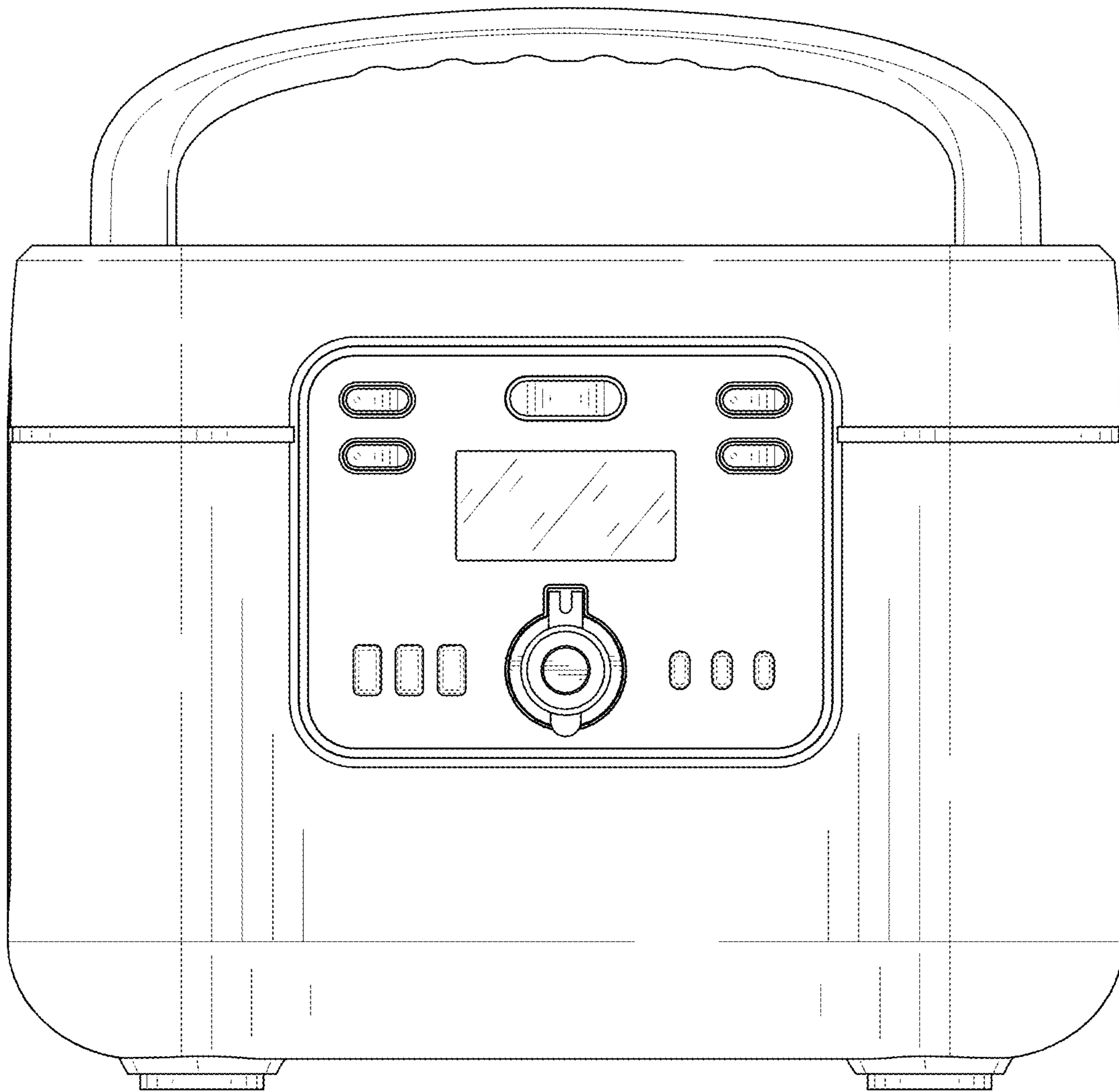


FIG. 3

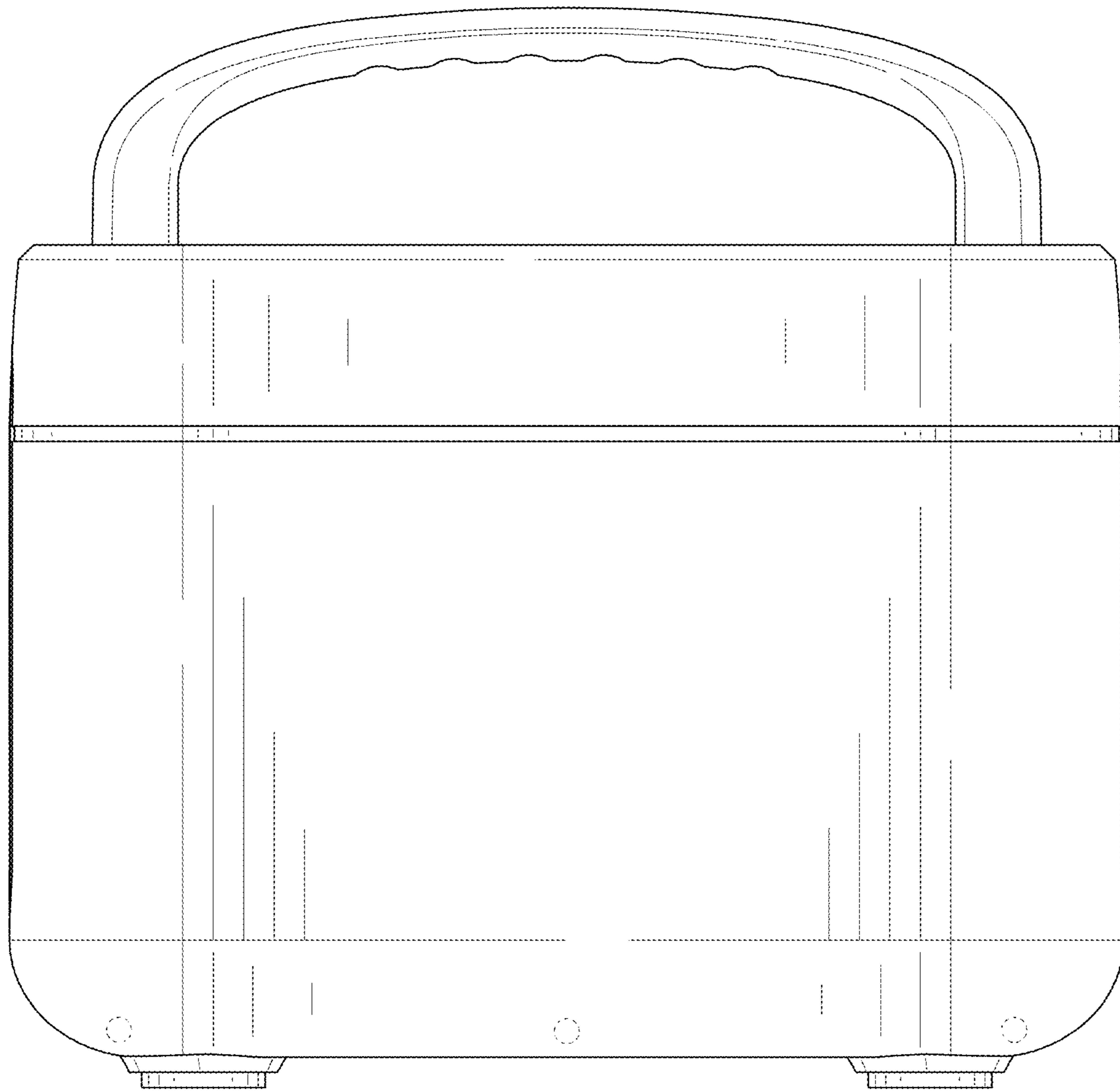


FIG. 4

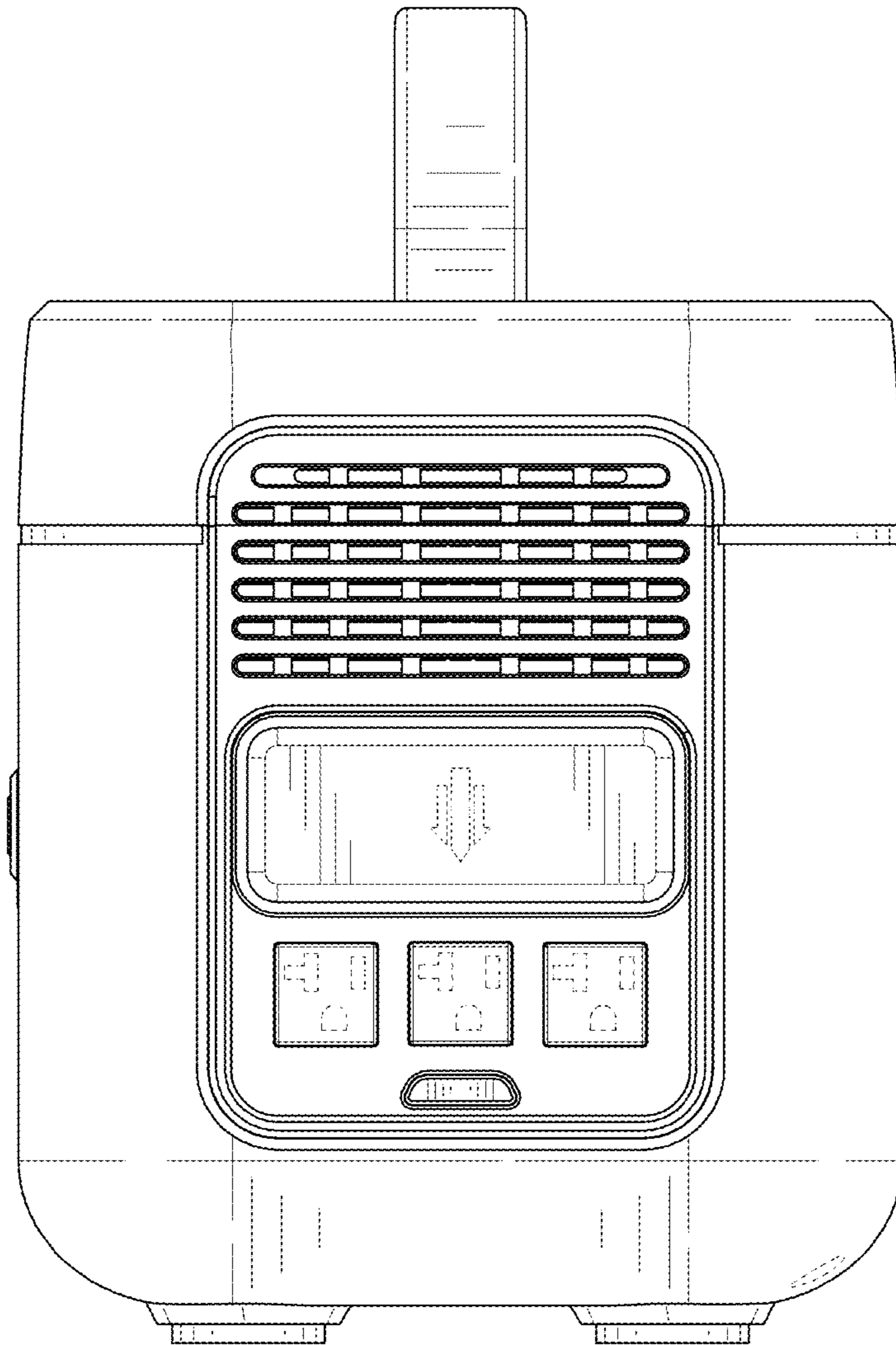


FIG. 5

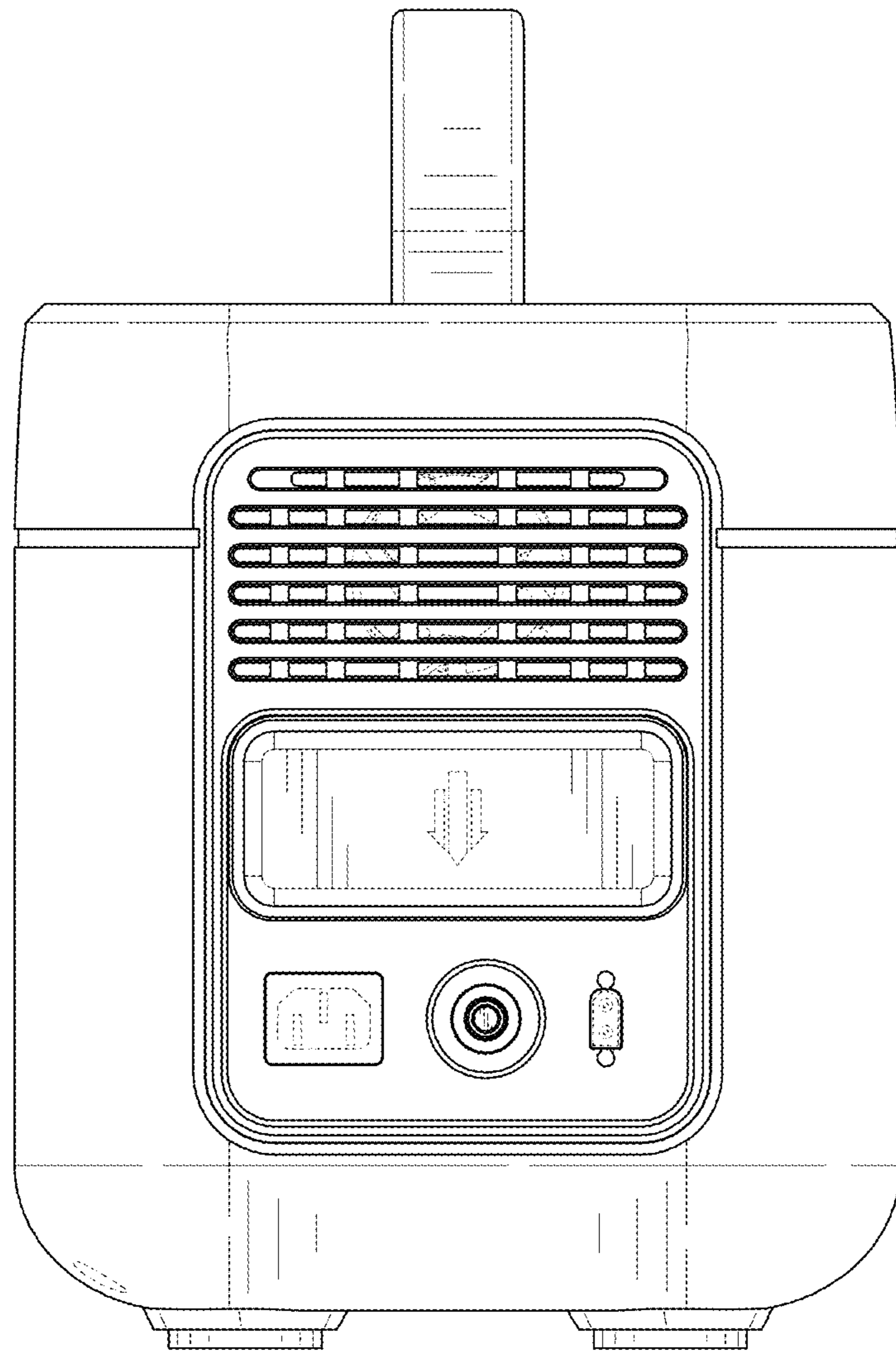


FIG. 6

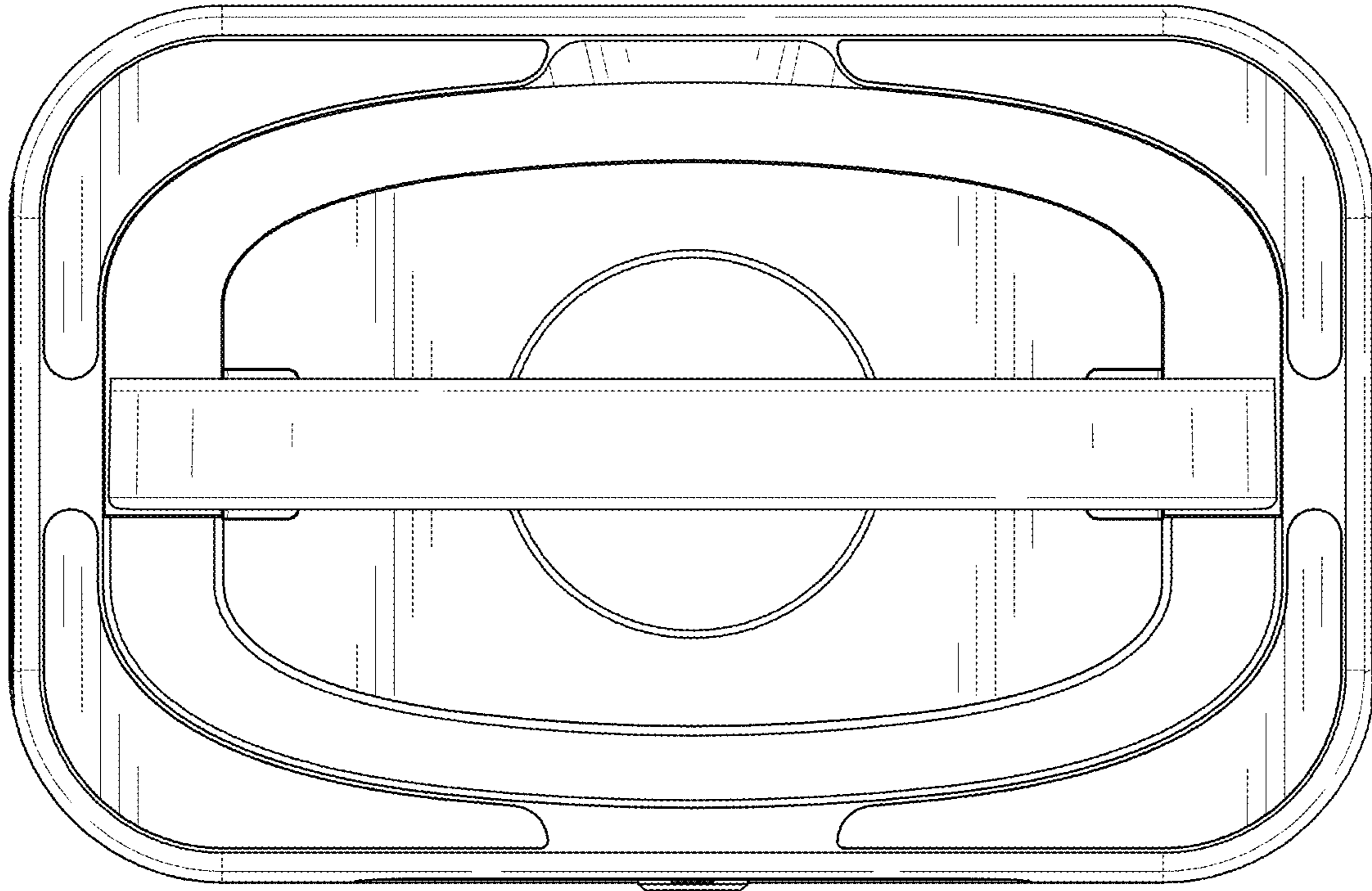


FIG. 7



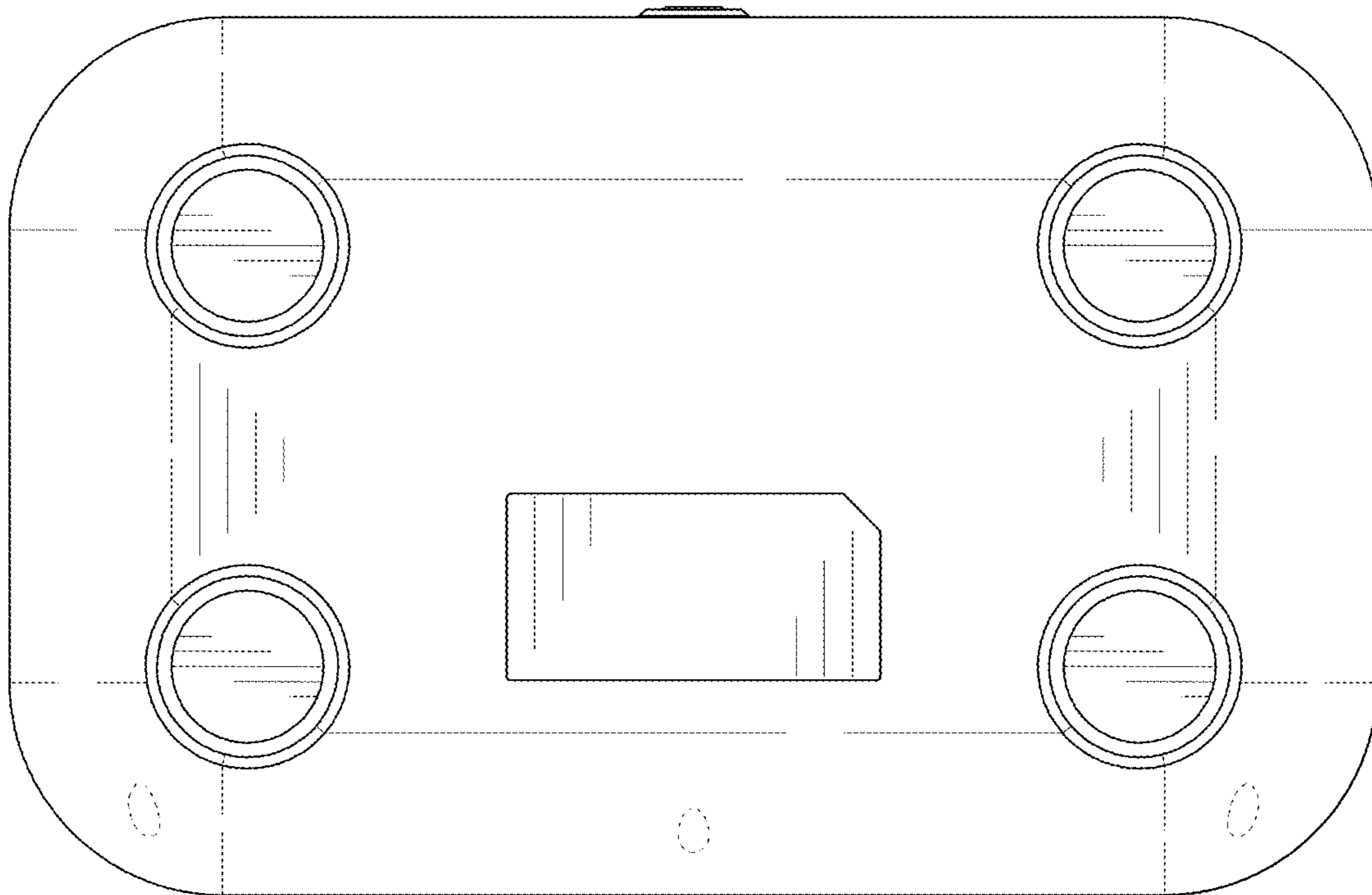


FIG. 8

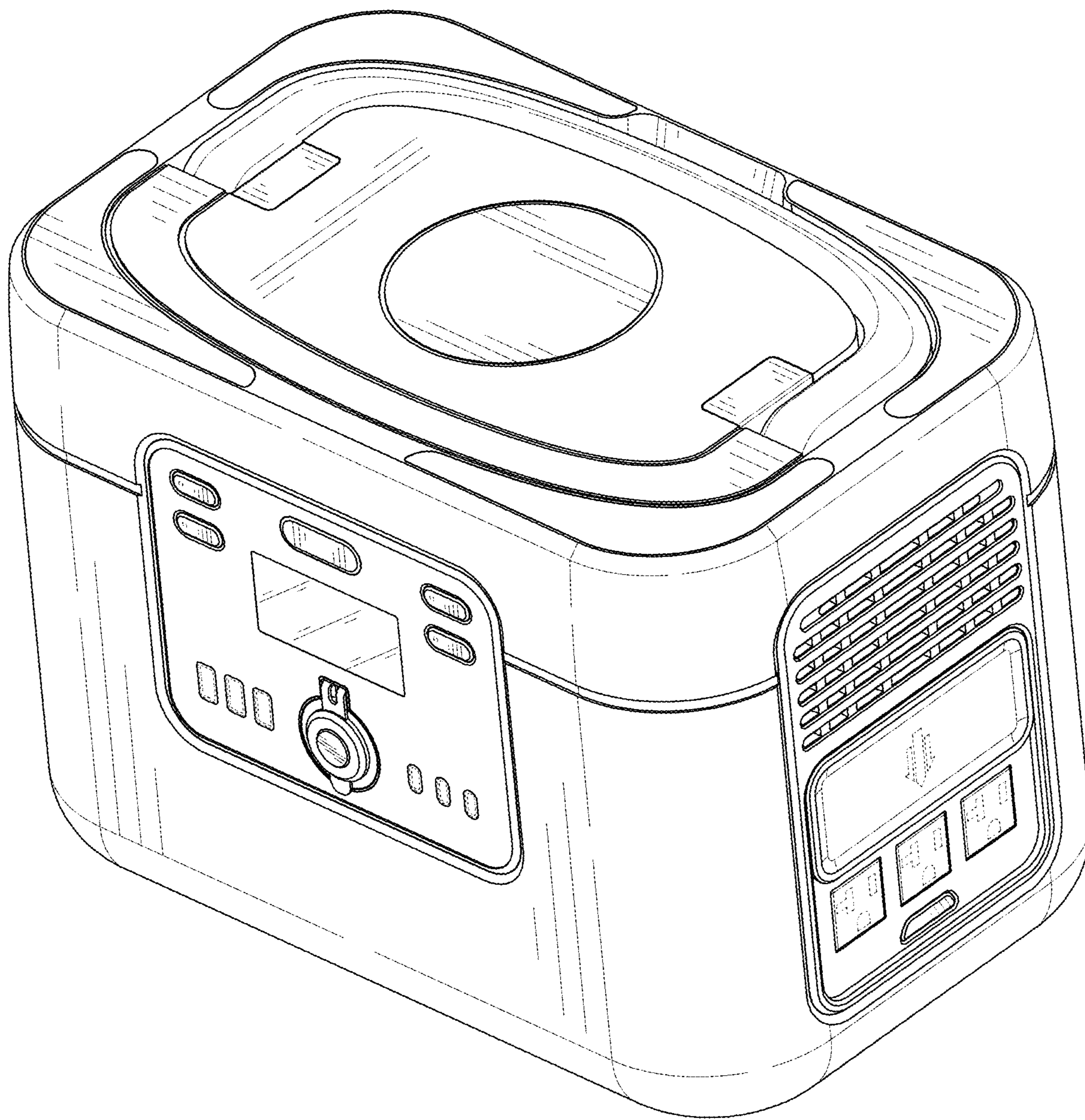


FIG. 9

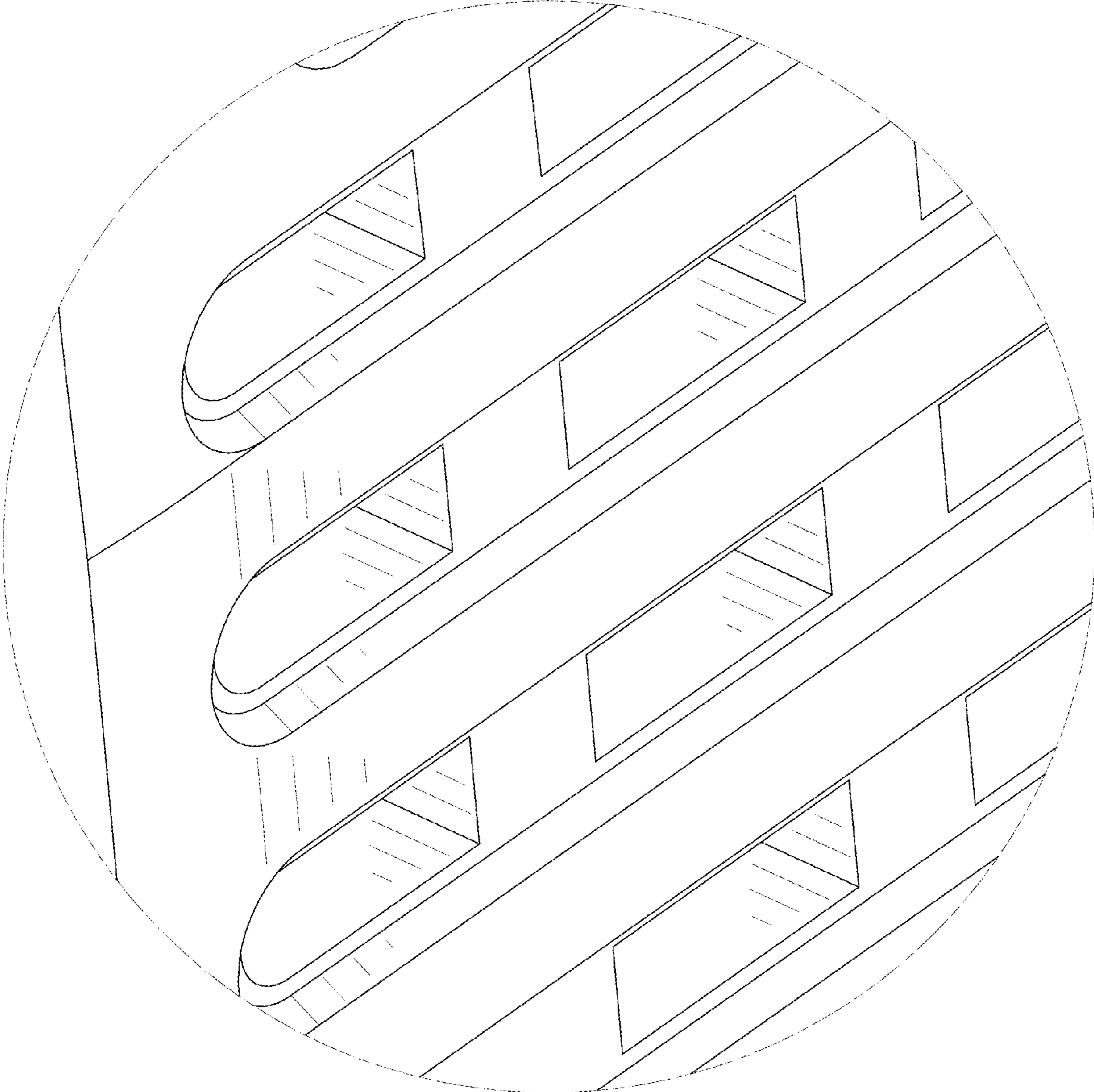


FIG. 10

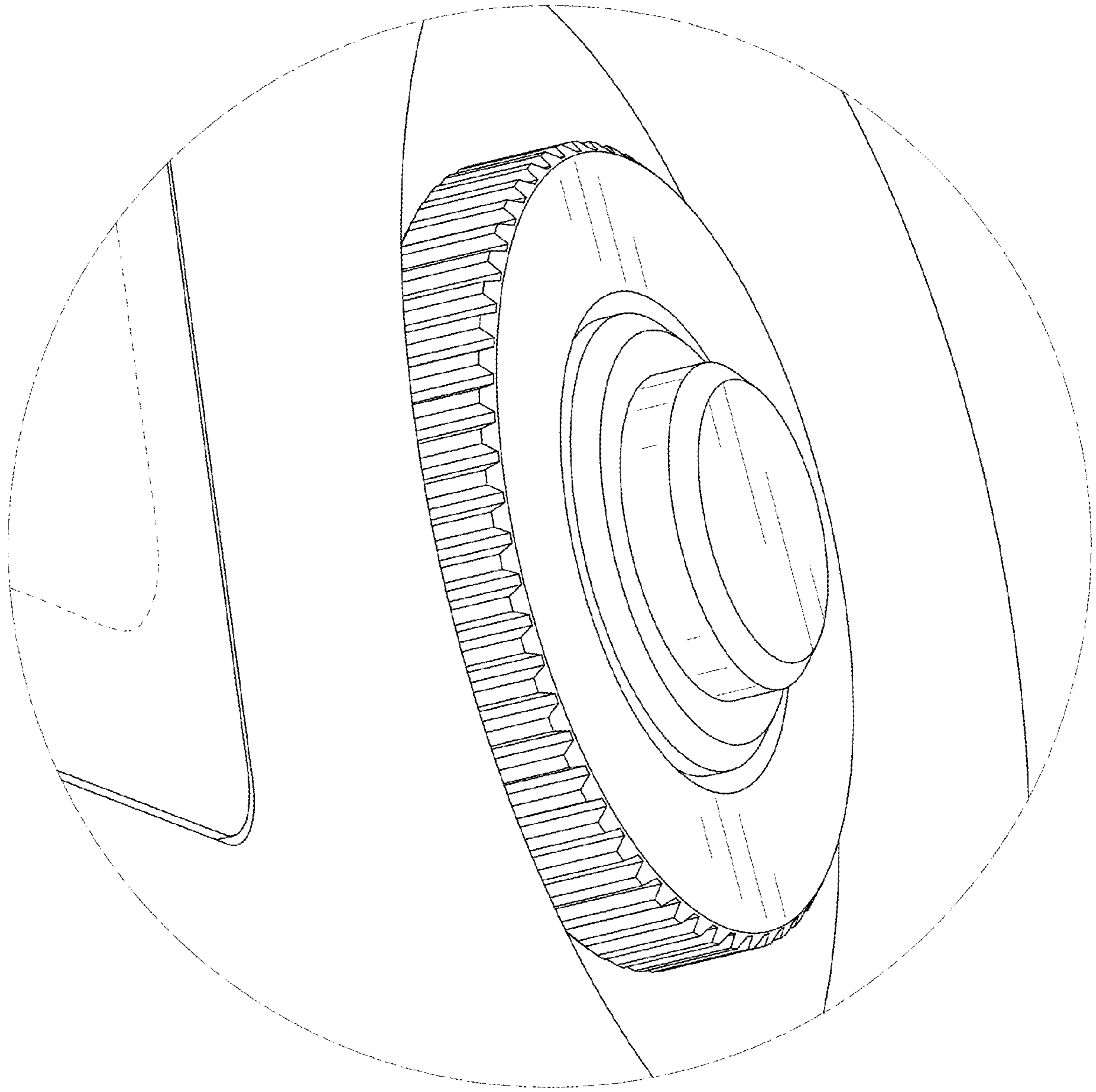


FIG. 11