



US00D987568S

(12) **United States Design Patent**
Connell et al.

(10) **Patent No.:** **US D987,568 S**
(45) **Date of Patent:** **** May 30, 2023**

- (54) **LED LIGHT DRIVER**
- (71) Applicant: **KUZCO GROUP USA INC.**, Surrey (CA)
- (72) Inventors: **Jon Connell**, Seattle, WA (US); **Nathan Yang**, Surrey (CA)
- (73) Assignee: **KUZCO GROUP USA INC.**, Surrey (CA)
- (**) Term: **15 Years**
- (21) Appl. No.: **29/738,384**
- (22) Filed: **Jun. 17, 2020**
- (51) **LOC (14) Cl.** **13-02**
- (52) **U.S. Cl.**
USPC **D13/110**
- (58) **Field of Classification Search**
USPC ... D13/110, 103, 107, 108, 123, 133, 137.1, D13/138.1, 139.1, 180, 199; D14/240, D14/251, 253, 432, 433, 434; D26/1, 74, D26/113
CPC H01R 13/00; H01R 13/44; H01R 25/00; H01R 27/00; H01R 27/02; H01R 31/06; H01R 31/065; H02J 1/00; H02J 7/00; H02J 7/0044; H02J 3/005; H01M 10/46; H03B 5/04; Y10S 362/80; H01L 33/62; H01L 33/486; H01L 2924/0002
See application file for complete search history.

- D677,624 S * 3/2013 Goodman D13/112
- D701,630 S * 3/2014 Nagashima D26/3
- D754,618 S * 4/2016 Freeman D13/180
- D808,348 S * 1/2018 Lengua D13/180
- D870,684 S * 12/2019 Archer D13/184
- D870,685 S * 12/2019 Archer D13/184
- 2013/0175551 A1 * 7/2013 Lim H01L 33/486
257/E33.056

* cited by examiner

Primary Examiner — Derrick E Holland

(74) *Attorney, Agent, or Firm* — DLA Piper LLP (US)

(57) **CLAIM**

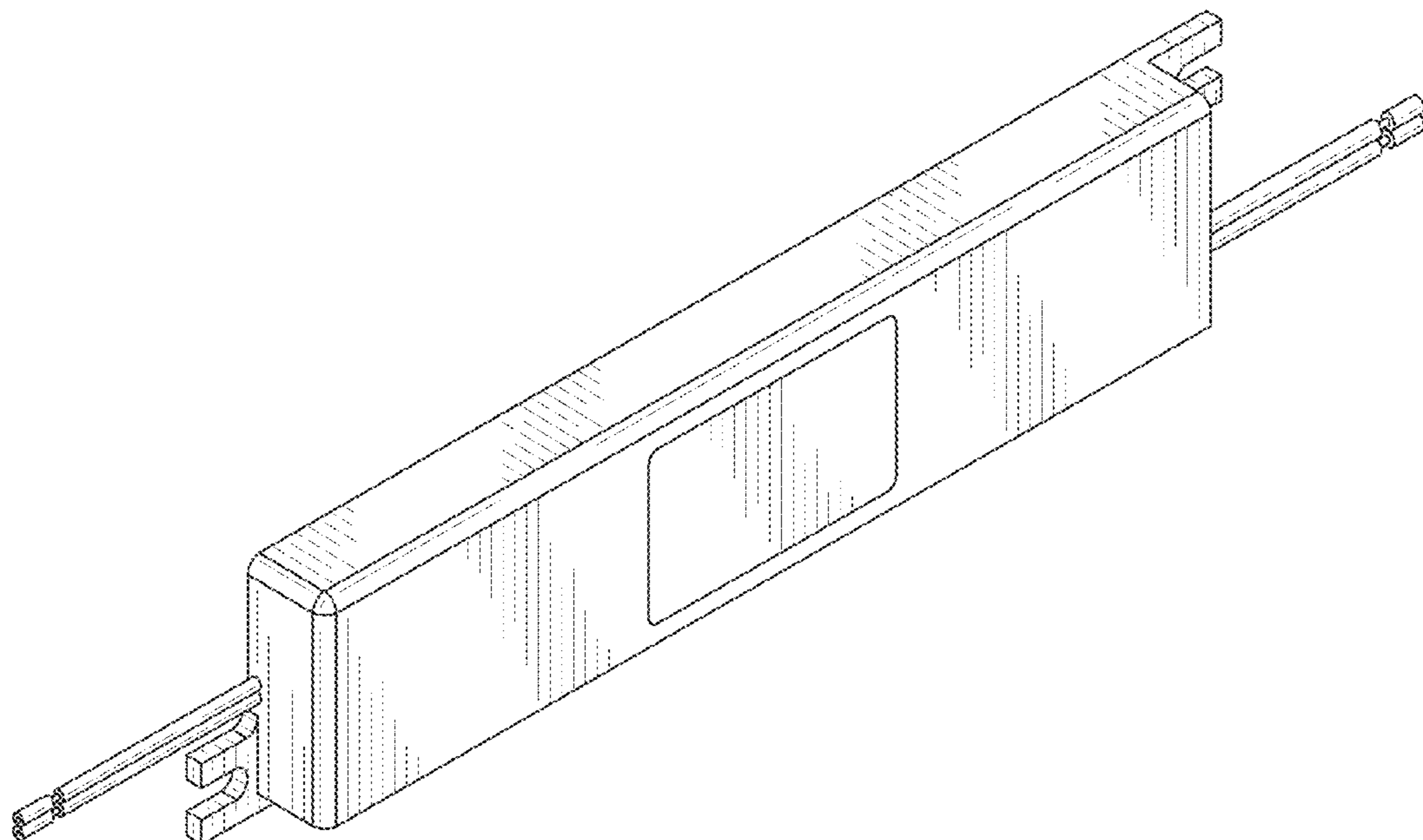
The ornamental design for the LED light driver, as shown and described.

DESCRIPTION

- FIG. 1 is a perspective view of a LED light driver showing the new design;
- FIG. 2 is a top plan view thereof;
- FIG. 3 is a bottom plan view thereof;
- FIG. 4 is a left side elevational view thereof;
- FIG. 5 is right side elevational view thereof;
- FIG. 6 is a front elevational view thereof; and,
- FIG. 7 is a rear elevational view thereof.

1 Claim, 3 Drawing Sheets

- (56) **References Cited**
U.S. PATENT DOCUMENTS
7,600,896 B2 * 10/2009 Wang F21V 27/02
362/240
D606,936 S * 12/2009 Nakayama D13/110
D662,880 S * 7/2012 Scott D13/110



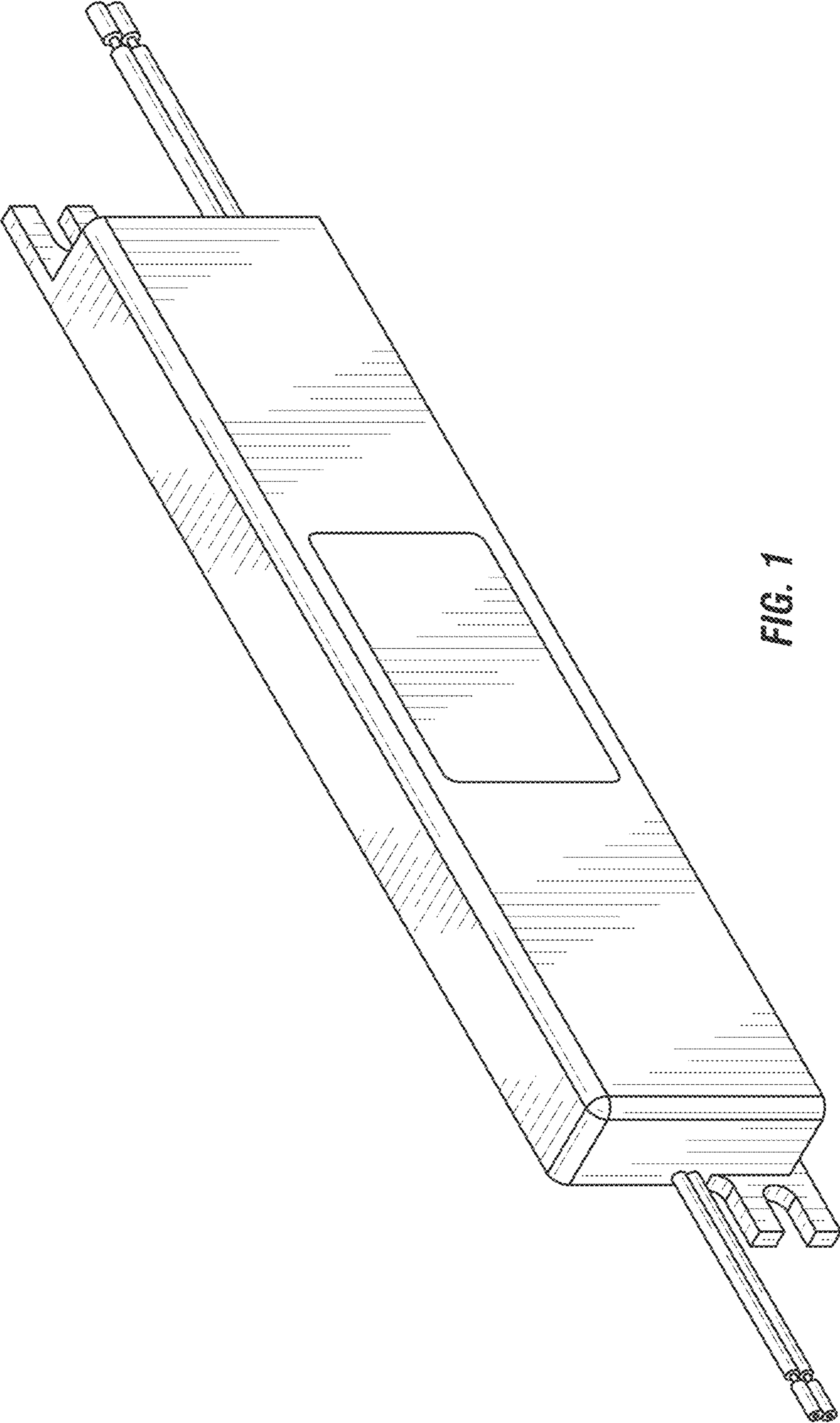


FIG. 1

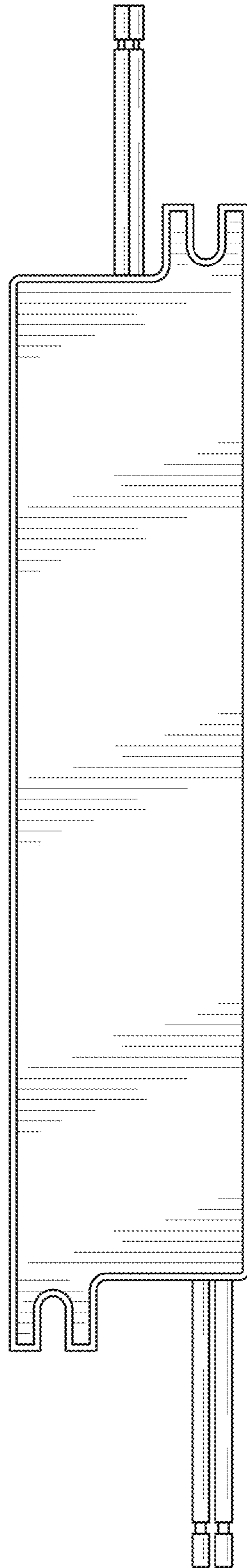
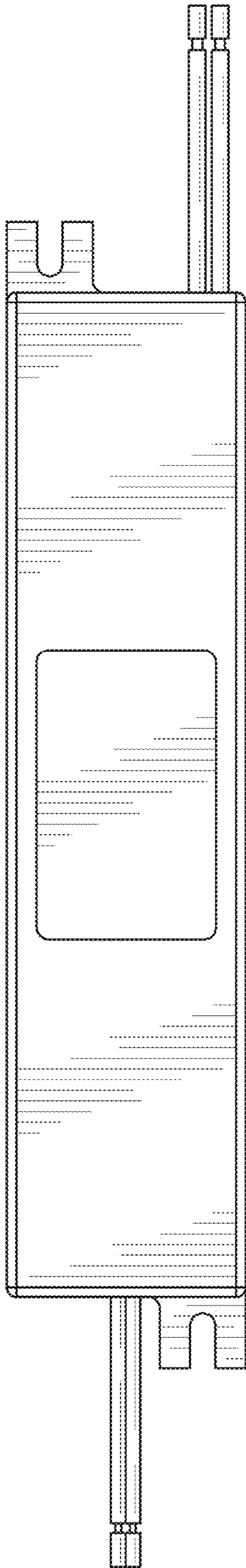




FIG. 5



FIG. 4

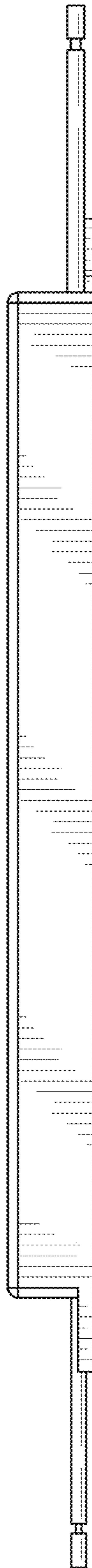


FIG. 6



FIG. 7