



US00D987567S

(12) **United States Design Patent**
Zhou et al.

(10) **Patent No.: US D987,567 S**
(45) **Date of Patent: ** May 30, 2023**

(54) **WIRELESS CHARGER**
(71) Applicant: **BEIJING XIAOMI MOBILE SOFTWARE CO., LTD.**, Beijing (CN)
(72) Inventors: **Zongjiong Zhou**, Beijing (CN); **Shengyu Gong**, Beijing (CN); **Xu Wei**, Beijing (CN); **Yin Zhu**, Beijing (CN)
(73) Assignee: **BEIJING XIAOMI MOBILE SOFTWARE CO., LTD.**, Beijing (CN)

D736,211 S * 8/2015 Kirkpatrick H05K 7/20136 D14/434
D741,314 S * 10/2015 Kwak D14/253
9,677,704 B1 * 6/2017 Thelen F16M 11/22
D803,152 S * 11/2017 Hou D13/108
(Continued)

(**) Term: **15 Years**

FOREIGN PATENT DOCUMENTS

(21) Appl. No.: **35/513,211**
(22) Filed: **Jul. 26, 2021**

CN 305216382 S 6/2019
CN 305376333 S 10/2019
(Continued)

(80) **Hague Agreement Data**
Int. Filing Date: **Jul. 26, 2021**
Int. Reg. No.: **DM/216771**
Int. Reg. Date: **Jul. 26, 2021**
Int. Reg. Pub. Date: **Oct. 22, 2021**

OTHER PUBLICATIONS

“Xiaomi Mi Wireless Charging Stand”. Found online Aug. 25, 2022 at youtube.com. Reference dated Apr. 14, 2021. Retrieved from <https://www.youtube.com/watch?v=RcaYYTkS6Wg>. (Year: 2021).*
(Continued)

(30) **Foreign Application Priority Data**
Jan. 27, 2021 (CN) 202130060642.1
(51) **LOC (14) Cl.** **13-02**
(52) **U.S. Cl.**
USPC **D13/108**
(58) **Field of Classification Search**
USPC D13/103, 107, 108, 118, 119, 183;
D14/217, 251, 253, 432, 433, 434, 439,
D14/447
CPC H02J 7/0027; H02J 7/00047; H02J 7/0049
See application file for complete search history.

Primary Examiner — Kendra Leslie Hamilton
Assistant Examiner — Amanda Christensen
(74) *Attorney, Agent, or Firm* — Syncoda LLC; Feng Ma

(57) **CLAIM**

The ornamental design for a wireless charger, as shown and described.

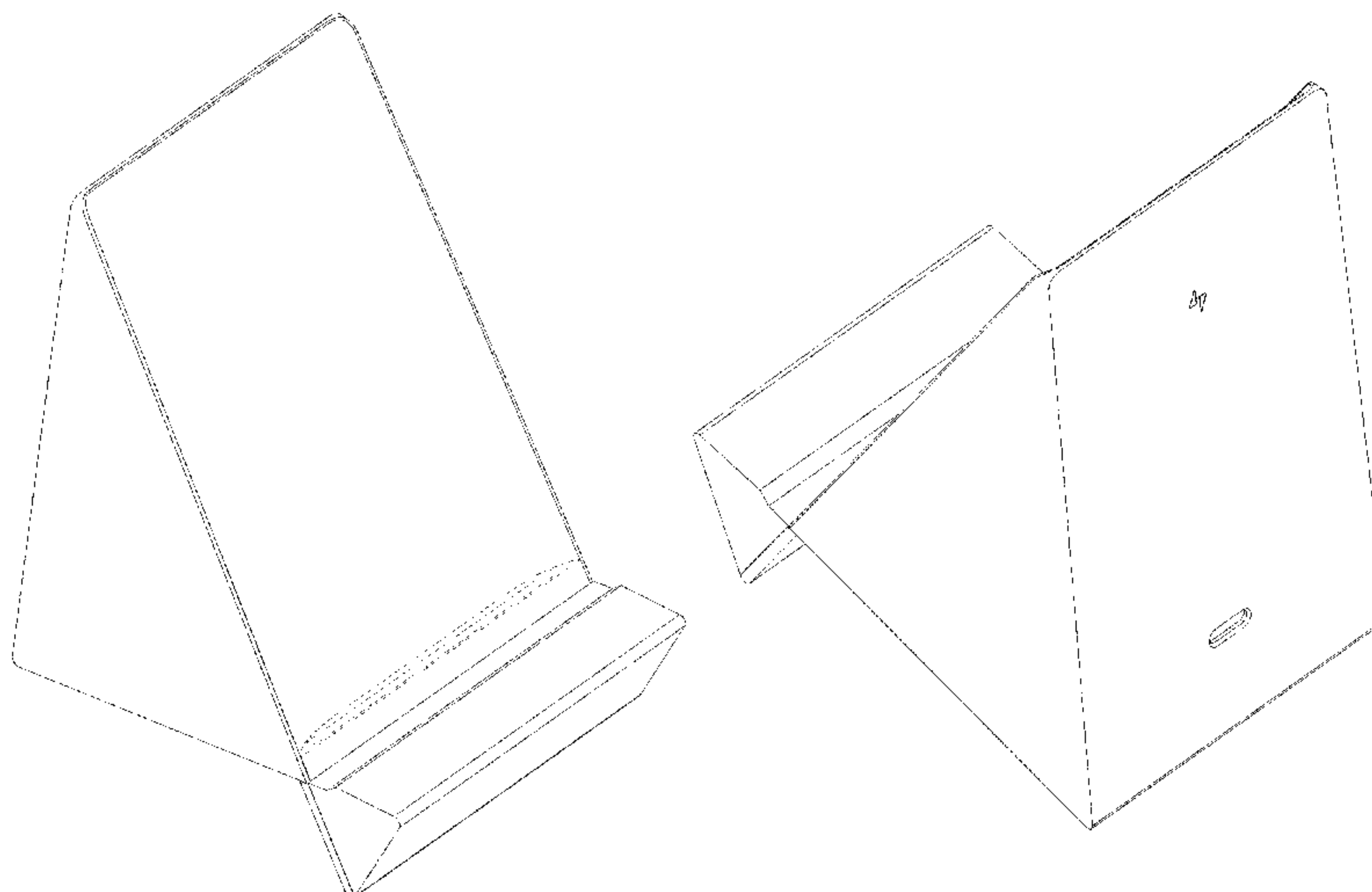
(56) **References Cited**
U.S. PATENT DOCUMENTS

DESCRIPTION

1. Wireless charger
1.1 is a front view of a wireless charger showing the new design;
1.2 is a back view thereof;
1.3 is a left side view thereof;
1.4 is a right side view thereof;
1.5 is a top view thereof;
1.6 is a bottom view thereof;
1.7 is a perspective view thereof; and
1.8 is another perspective view thereof.
The broken lines in the reproductions depict portions of the wireless charger that form no part of the claimed design.

1 Claim, 8 Drawing Sheets

D680,491 S * 4/2013 Paschke D13/108
D681,625 S * 5/2013 Zehner D14/253
D700,888 S * 3/2014 Serfoss D13/108



(56)

References Cited

U.S. PATENT DOCUMENTS

D815,594 S * 4/2018 Chen D13/108
D871,326 S * 12/2019 Chuang D13/108
D872,072 S * 1/2020 Anderson D16/242
D915,388 S * 4/2021 Carlsen D14/251
2014/0097319 A1 * 4/2014 Robinson F16M 11/10
248/456
2016/0204635 A1 * 7/2016 Suzuki G06F 1/1632
361/679.3

FOREIGN PATENT DOCUMENTS

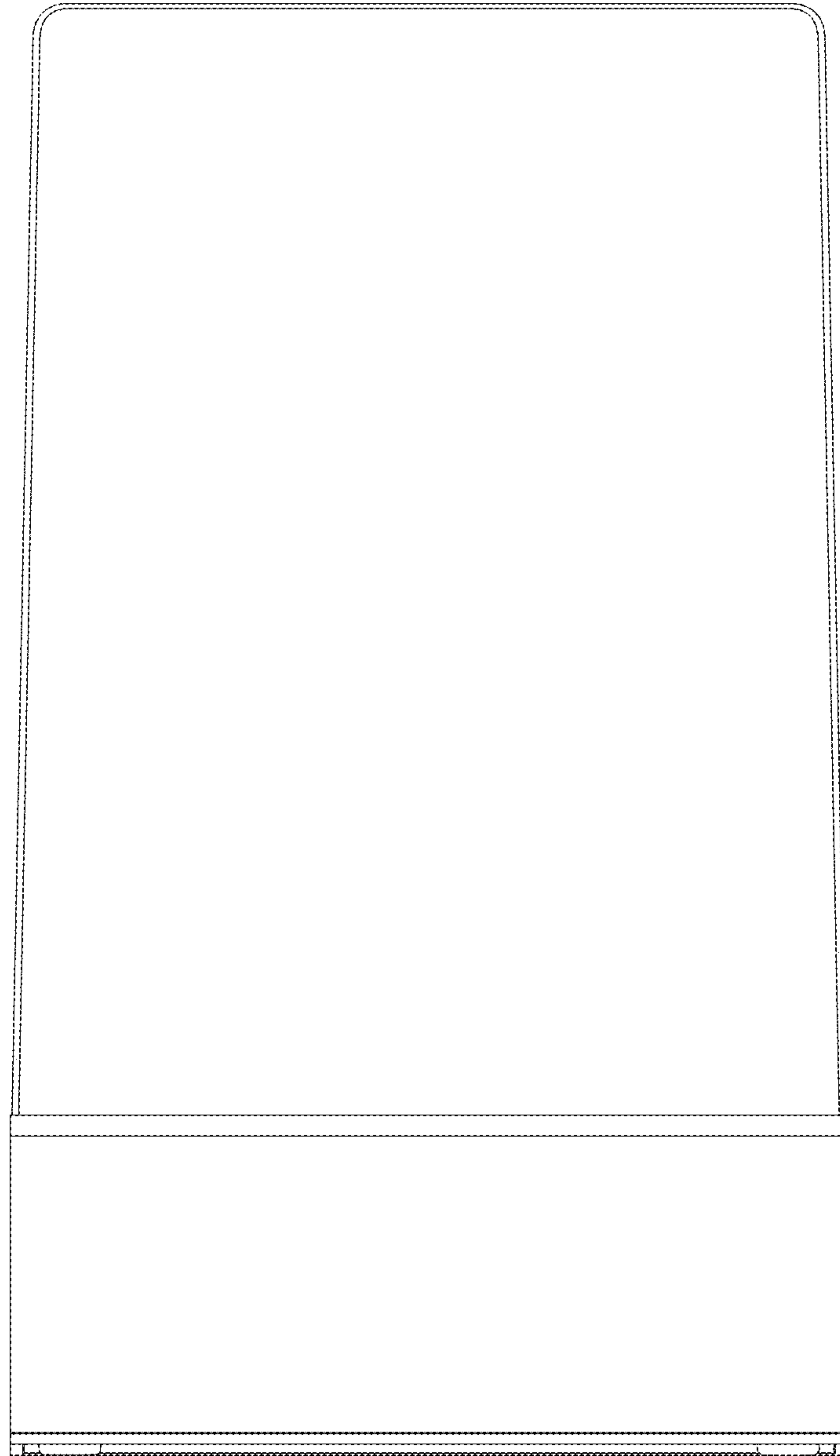
CN 305434177 S 11/2019
CN 305594885 S 2/2020
CN 305687492 S 4/2020
CN 305724402 S 4/2020
JP D1604388 S 5/2018
KR 3010313100000 S 11/2019

OTHER PUBLICATIONS

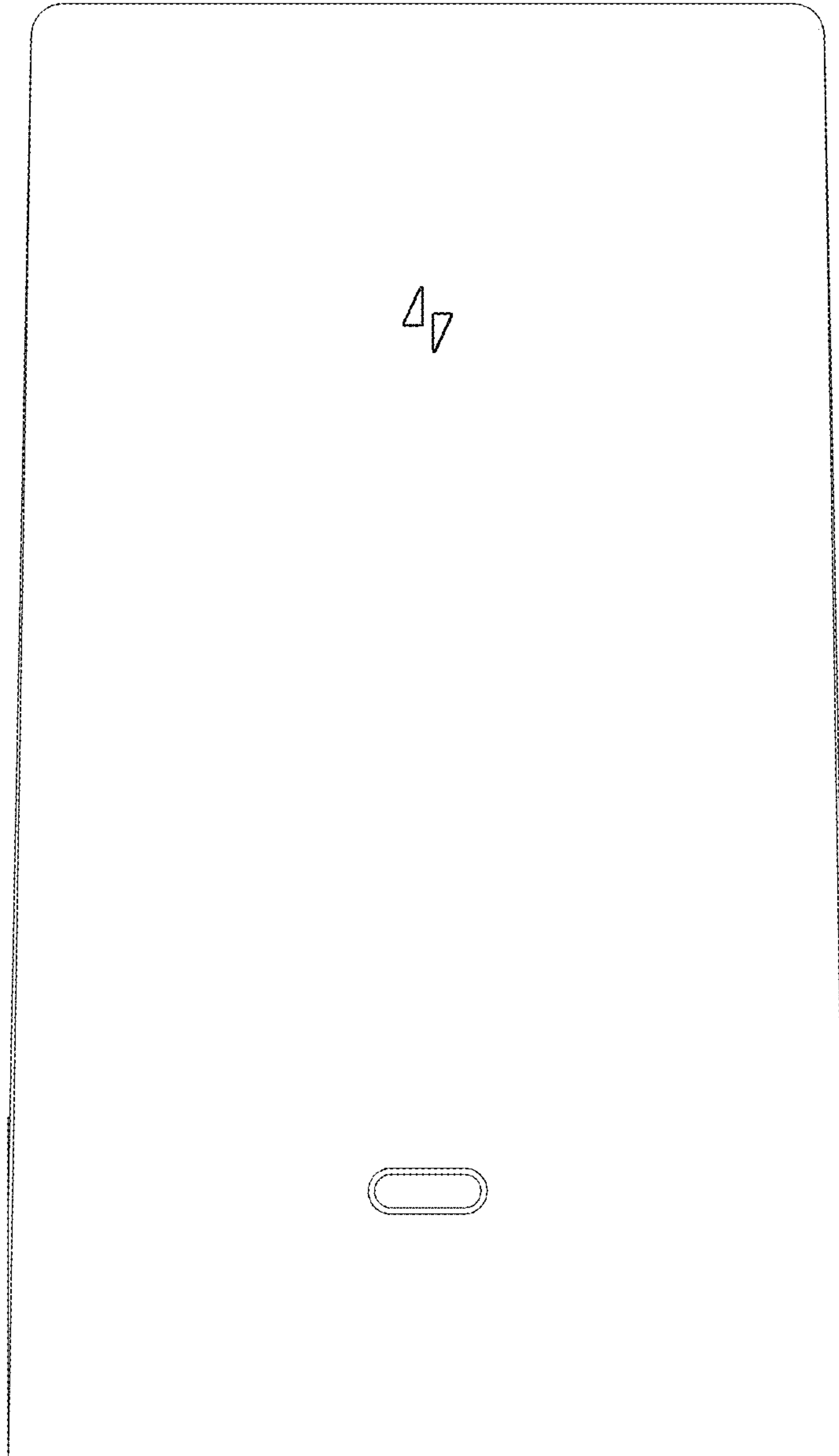
“Standard Charging Cradle”. Found online May 18, 2022 at poly.com. Reference dated Jul. 8, 2015. Retrieved from https://tineye.com/search/703e9881fe6e439d78214baf71906f0d6a5e53aa?sort=crawl_date&order=asc&page=1. (Year: 2015).*

“PowerA Charging Stand”. Found online Jun. 9, 2020 at amazon.com. Reference dated Nov. 30, 2016. Retrieved from <https://www.amazon.com/PowerA-Charging-Stand-Xbox-One-White/dp/B01N8XUNC9>. (Year: 2016).*

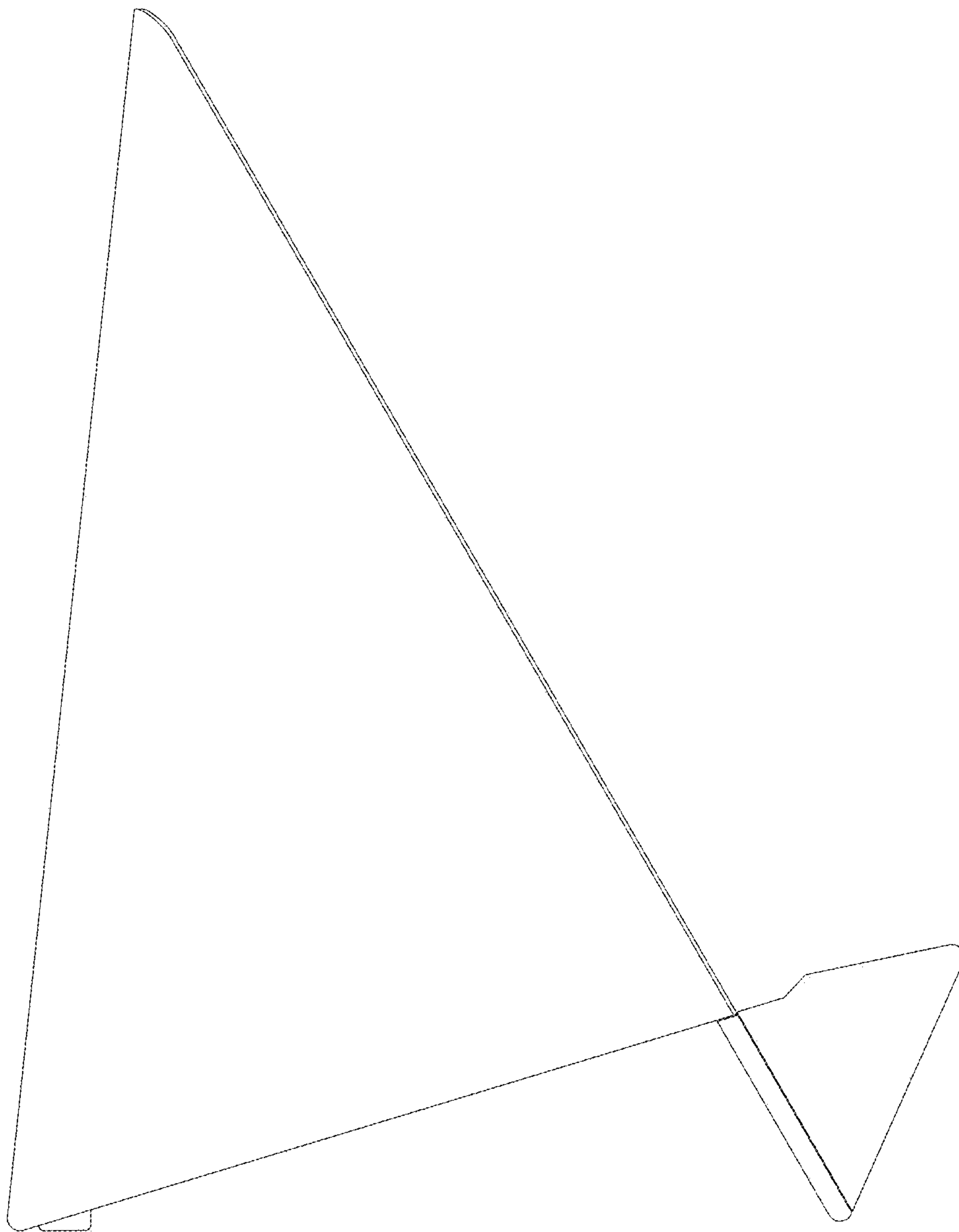
* cited by examiner



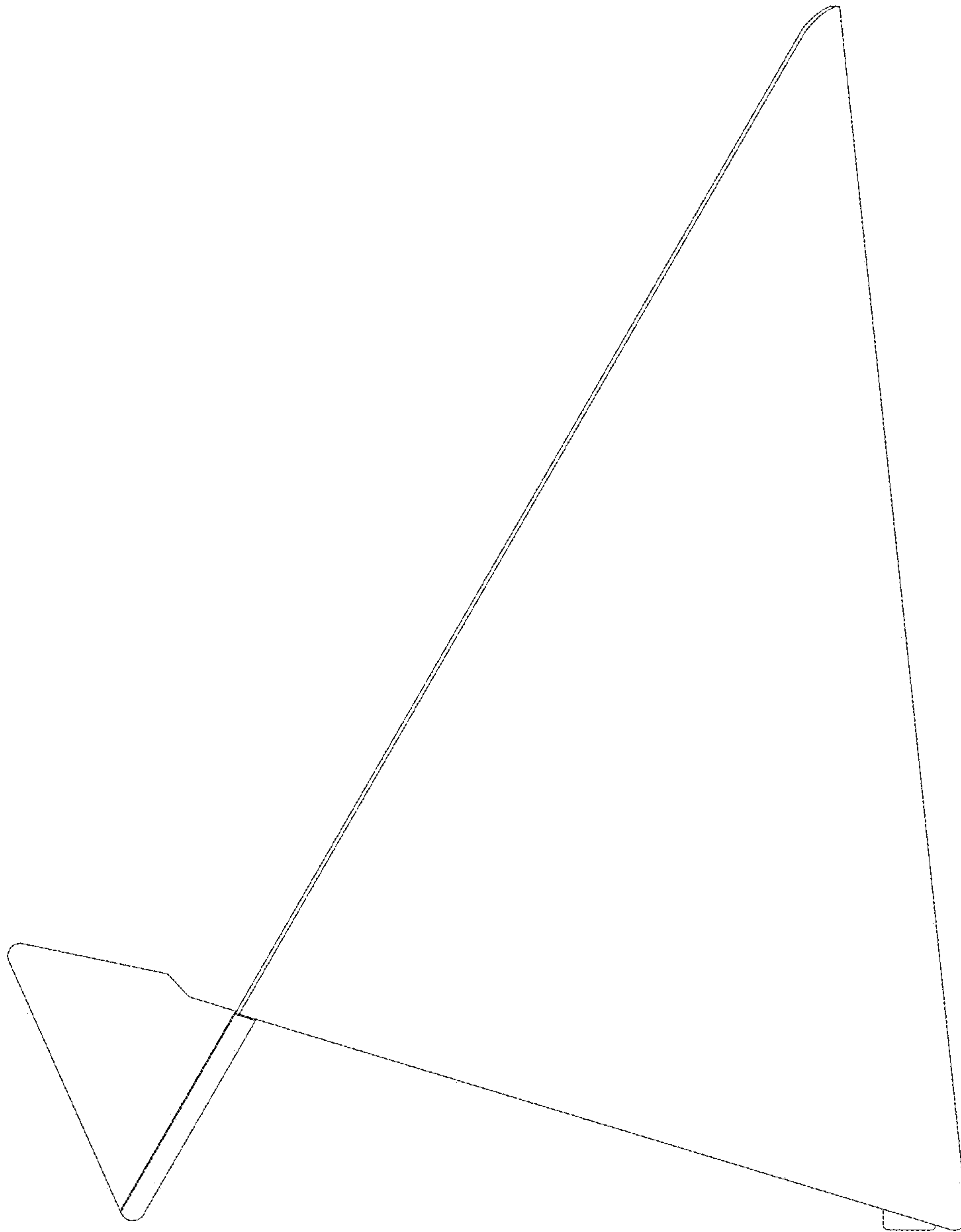
1.1



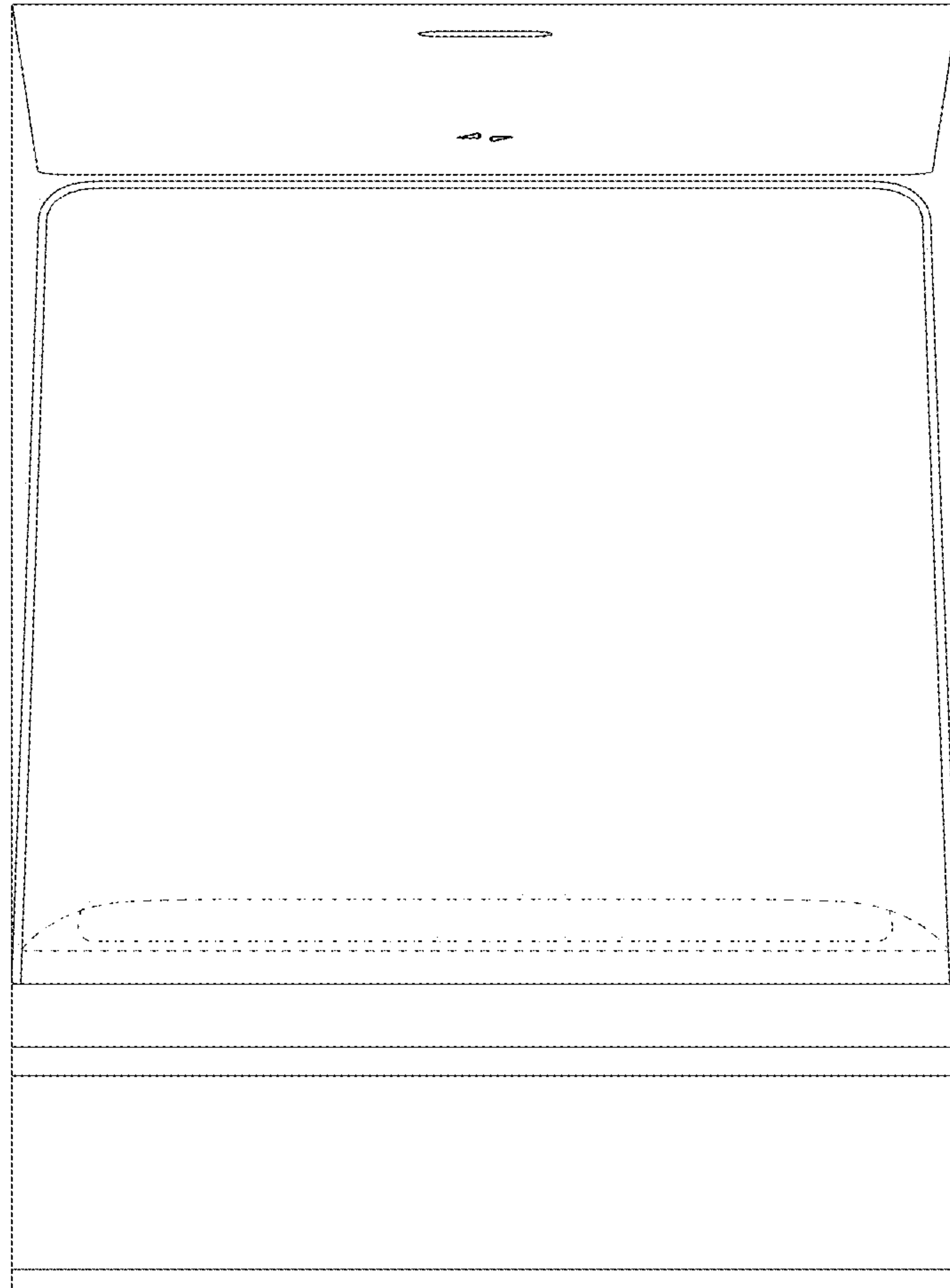
1.2



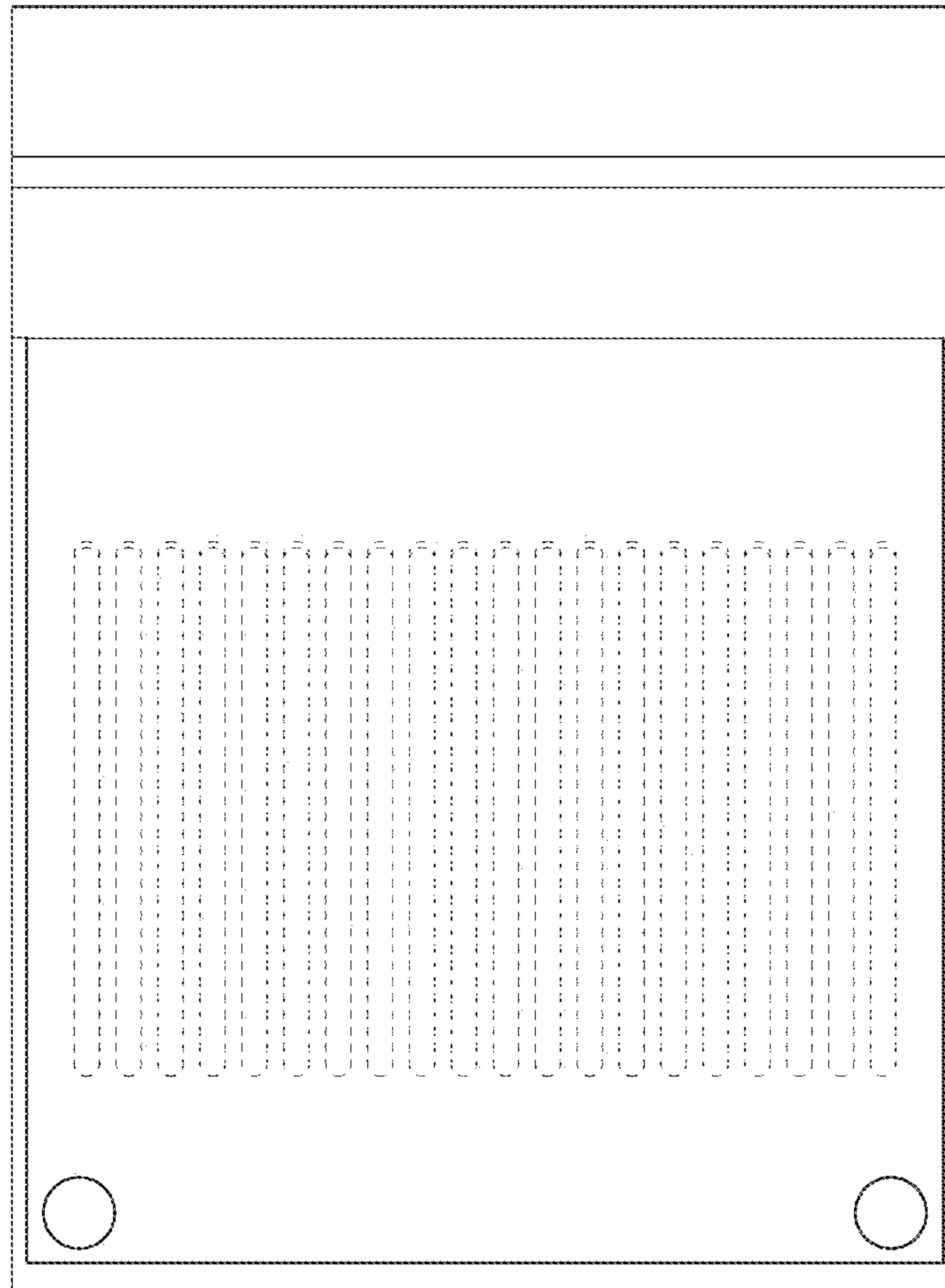
1.3



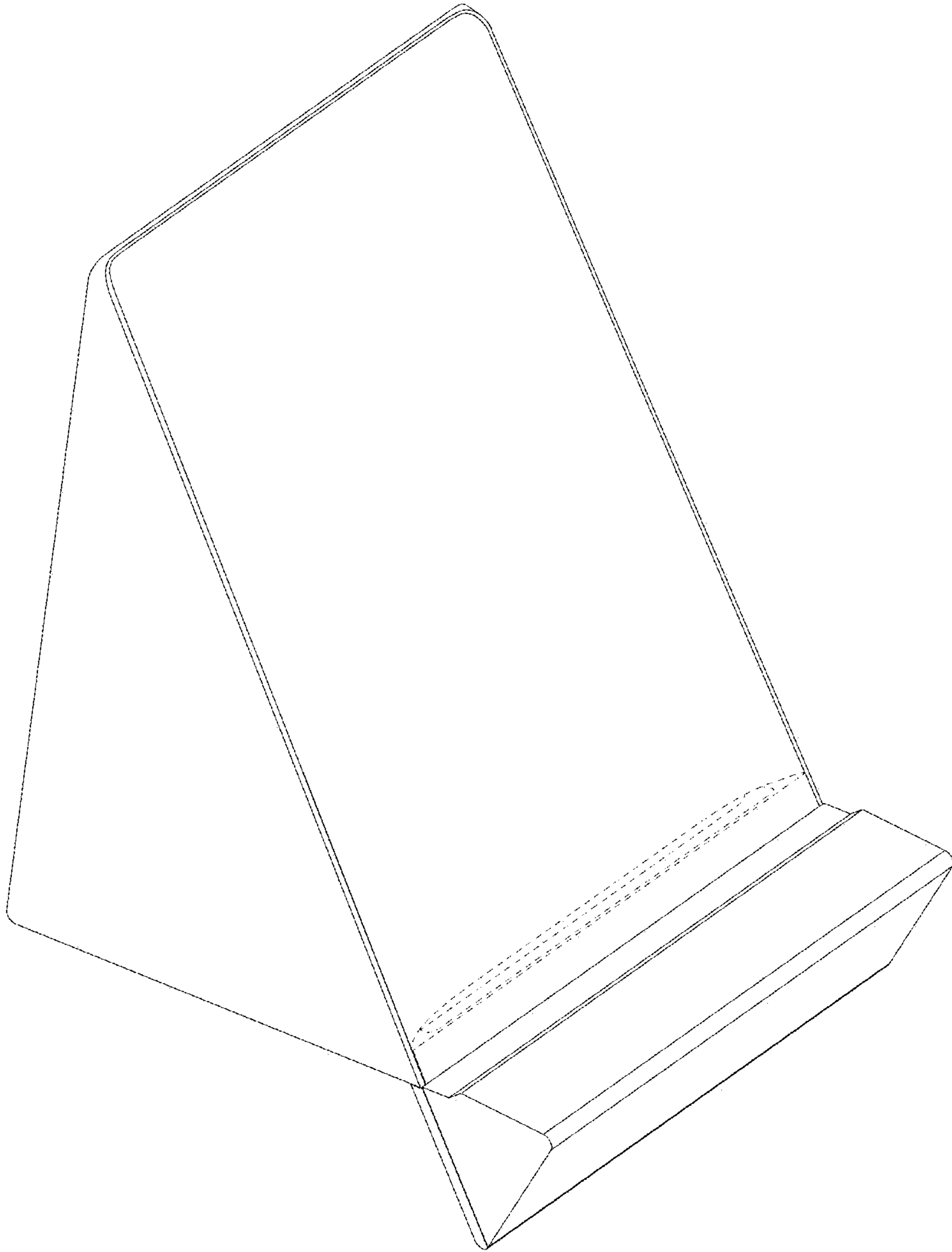
1.4



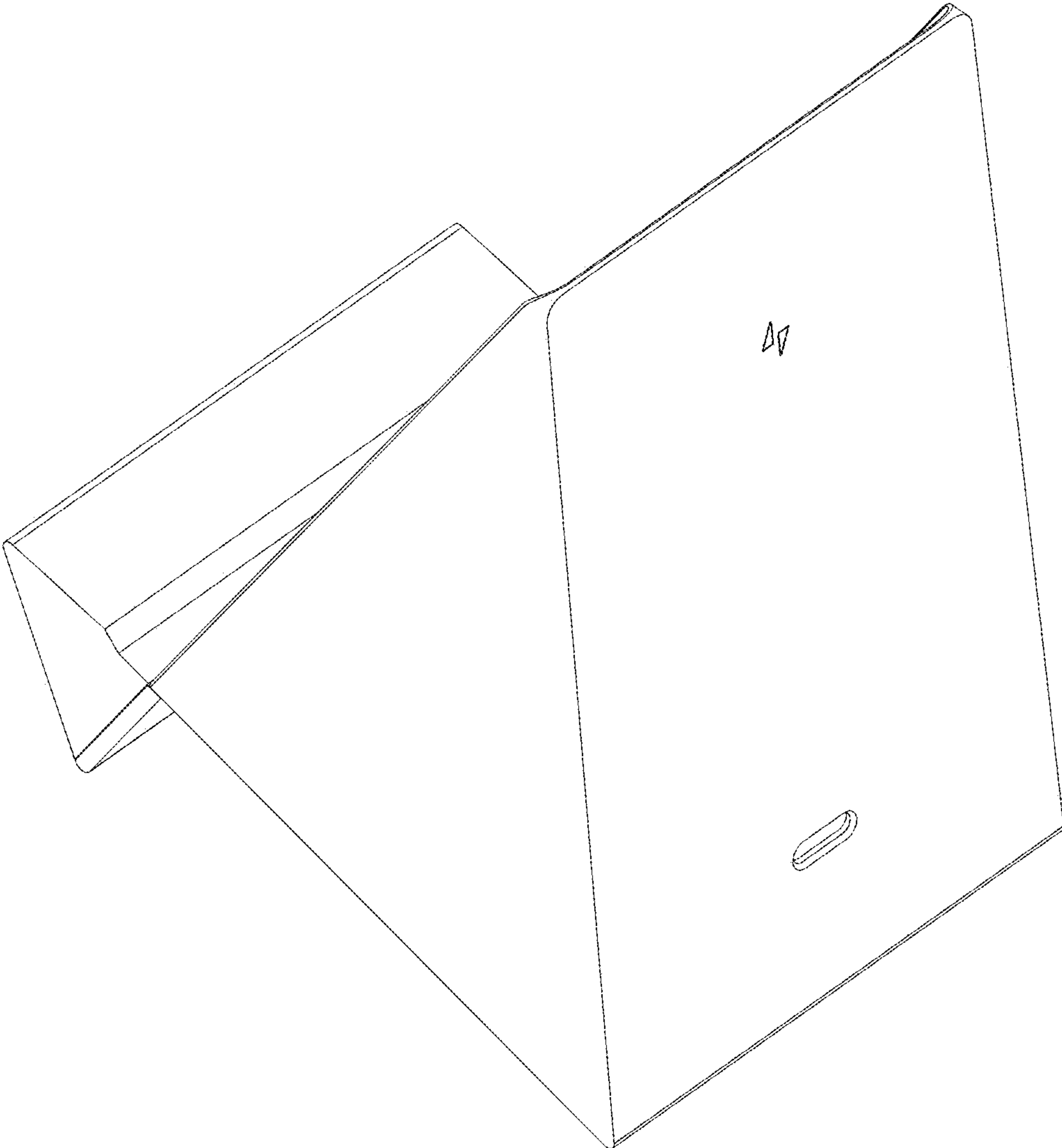
1.5



1.6



1.7



1.8