



US00D987565S

(12) **United States Design Patent**
Nie

(10) **Patent No.:** **US D987,565 S**

(45) **Date of Patent:** **** May 30, 2023**

(54) **WIRELESS CHARGER**

(71) Applicant: **Shenzhen Guanyuan Tianye Technology Co., Ltd, Shenzhen (CN)**

(72) Inventor: **Jie Nie, Gao'an (CN)**

(**) Term: **15 Years**

(21) Appl. No.: **29/854,602**

(22) Filed: **Sep. 27, 2022**

(51) **LOC (14) Cl.** **13-02**

(52) **U.S. Cl.**
USPC **D13/108**

(58) **Field of Classification Search**
USPC D13/103, 107, 108, 118, 119, 183;
D14/240, 251, 253, 432, 433, 434, 439,
D14/447

CPC H04B 1/3877; H02J 7/00047; H02J 50/05
See application file for complete search history.

(56) **References Cited**

U.S. PATENT DOCUMENTS

| | | | |
|-----------------|---------|---------|------------|
| D782,973 S | 4/2017 | Zhou | |
| D839,825 S | 2/2019 | Tschopp | |
| D852,134 S * | 6/2019 | Mei | D13/108 |
| D875,043 S * | 2/2020 | Yi | D13/108 |
| D881,123 S * | 4/2020 | Zhang | D13/108 |
| D884,621 S * | 5/2020 | Feng | D13/108 |
| D884,625 S | 5/2020 | Li | |
| D892,046 S * | 8/2020 | Peng | D13/108 |
| D902,151 S | 11/2020 | Yang | |
| D905,042 S * | 12/2020 | Lim | D14/434 |
| 10,879,723 B2 * | 12/2020 | Morrow | H02J 7/027 |
| D911,277 S * | 2/2021 | Shang | D13/108 |
| D920,239 S * | 5/2021 | Cheng | D13/108 |
| D922,947 S | 6/2021 | Wang | |
| D922,948 S | 6/2021 | Wang | |
| D933,600 S | 10/2021 | Wang | |
| D934,169 S | 10/2021 | Huang | |
| D934,796 S | 11/2021 | Ryu | |
| D935,398 S | 11/2021 | Wang | |

| | | | |
|-------------------|---------|---------|------------------------|
| D955,332 S * | 6/2022 | Wang | D13/108 |
| 2011/0306393 A1 * | 12/2011 | Goldman | H04M 1/04 345/173 |
| 2015/0196151 A1 * | 7/2015 | Phipps | F16M 11/24 211/85.2 |

(Continued)

OTHER PUBLICATIONS

“Bauhoo Charger Station”. Found online Nov. 2, 2022 at amazon.com. Reference dated Jun. 2, 2022. Retrieved from <https://www.amazon.com/dp/B09Y94WDGZ/?th=1>. (Year: 2022).*

(Continued)

Primary Examiner — Kendra Leslie Hamilton
Assistant Examiner — Amanda Christensen
(74) *Attorney, Agent, or Firm* — Rumit Ranjit Kanakia

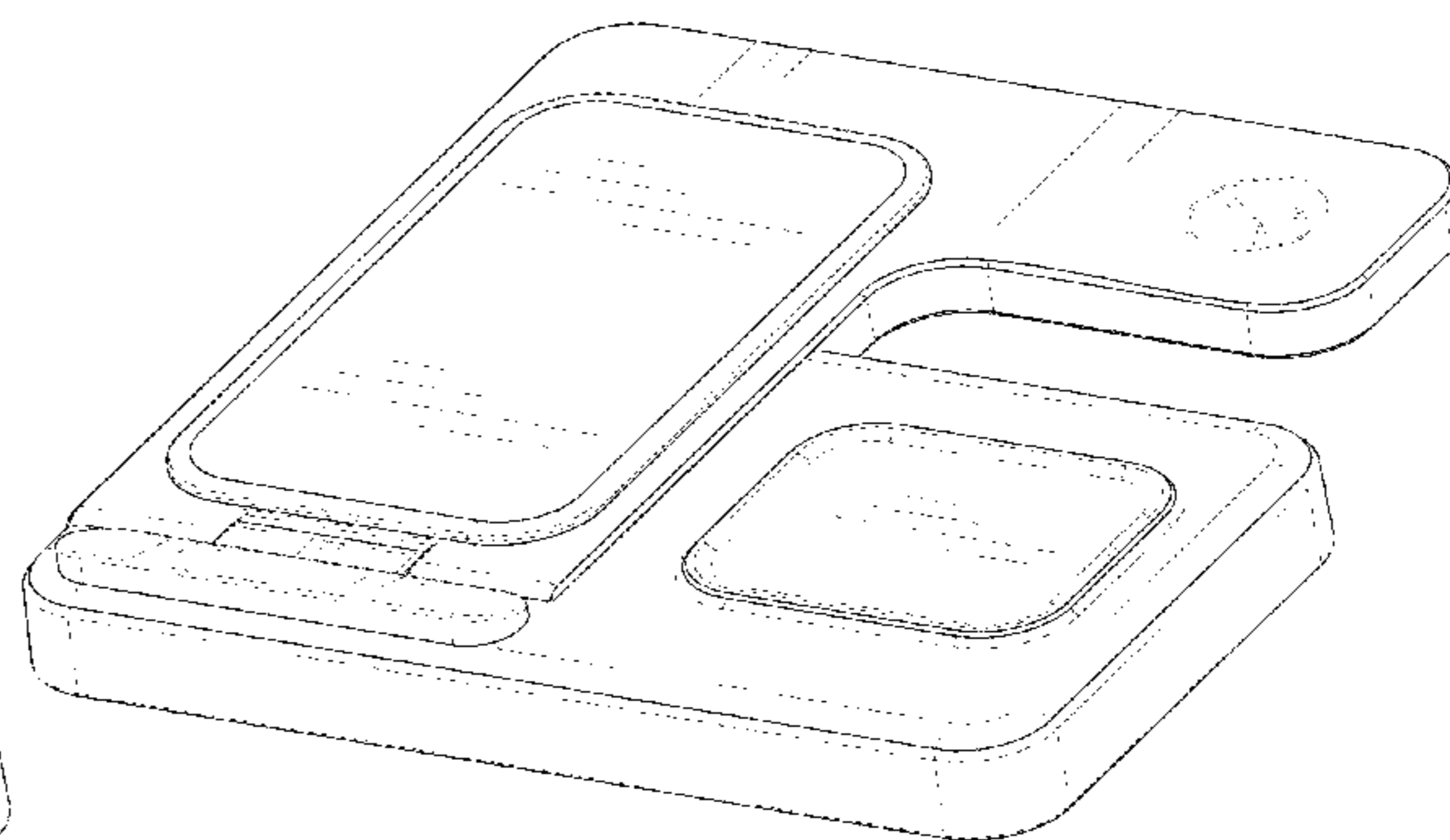
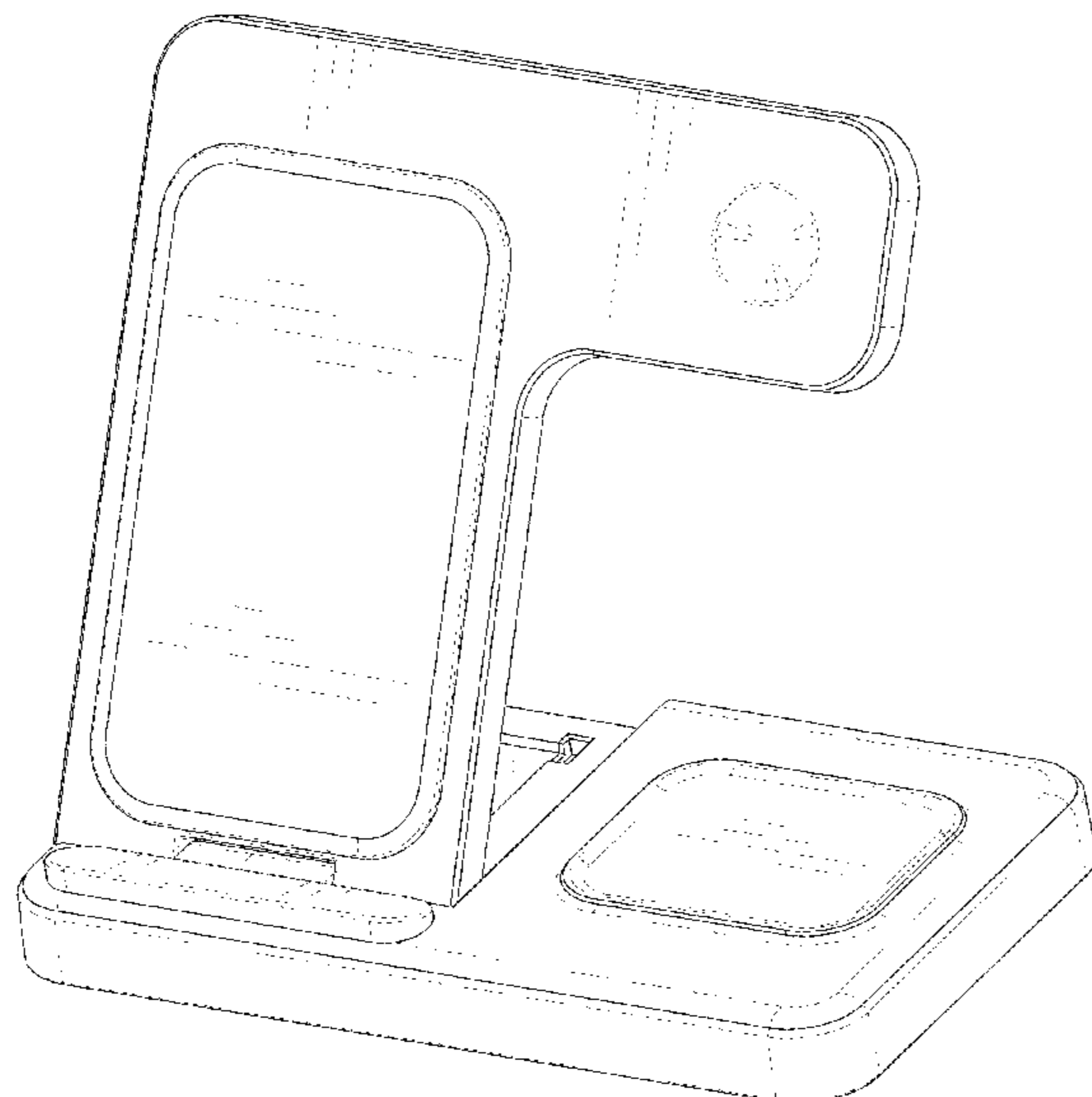
(57) **CLAIM**

The ornamental design for a wireless charger, as shown and described.

DESCRIPTION

FIG. 1 is a front perspective view of a wireless charger showing my new design;
FIG. 2 is a rear perspective view thereof;
FIG. 3 is a bottom perspective view thereof
FIG. 4 is a front elevational view thereof;
FIG. 5 is a rear elevational view thereof;
FIG. 6 is a left side view thereof;
FIG. 7 is a right side view thereof;
FIG. 8 is a top plan view thereof;
FIG. 9 is a bottom plan view thereof;
FIG. 10 is an enlarged detailed view of FIG. 3; and,
FIG. 11 is a front perspective view of the wireless charger in a folded state.
The broken lines in the figures are for the purposes of illustrating portions of the wireless charger, which form no part of the claimed design.

1 Claim, 11 Drawing Sheets



(56)

References Cited

U.S. PATENT DOCUMENTS

2016/0261139 A1* 9/2016 Kidakarn H02J 7/0044

OTHER PUBLICATIONS

“Bauhoo Wireless Charger”. Found online Nov. 2, 2022 at amazon.com. Reference dated Dec. 4, 2021. Retrieved from <https://www.amazon.com/dp/B09LCTMGF9/?th=1>. (Year: 2021).*

“Maxfox Wireless Charger”. Found online Nov. 2, 2022 at amazon.com. Reference dated Jul. 14, 2022. Retrieved from <https://www.amazon.com/dp/B0B6H7GWGR/>. (Year: 2022).*

* cited by examiner

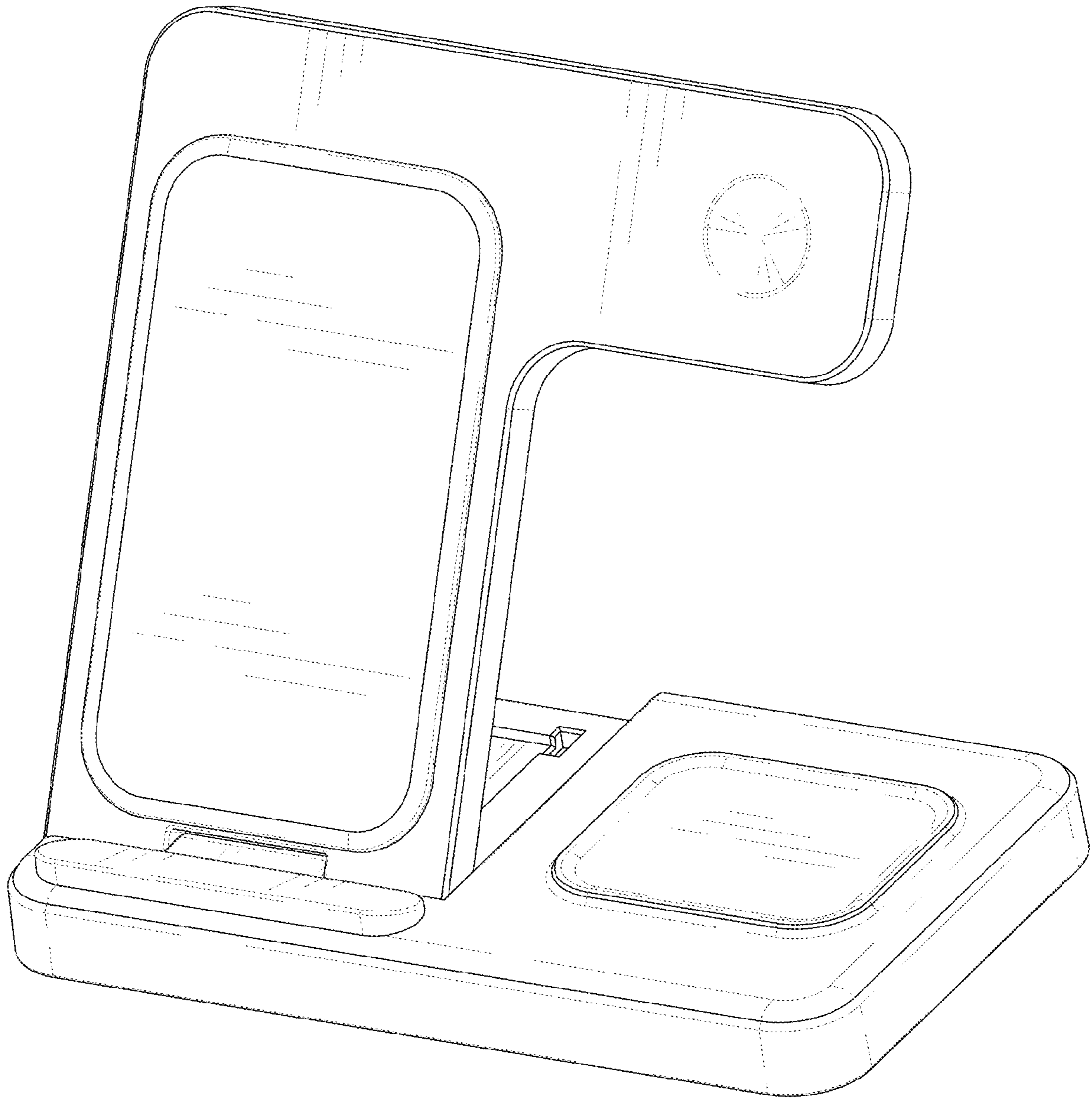


FIG. 1

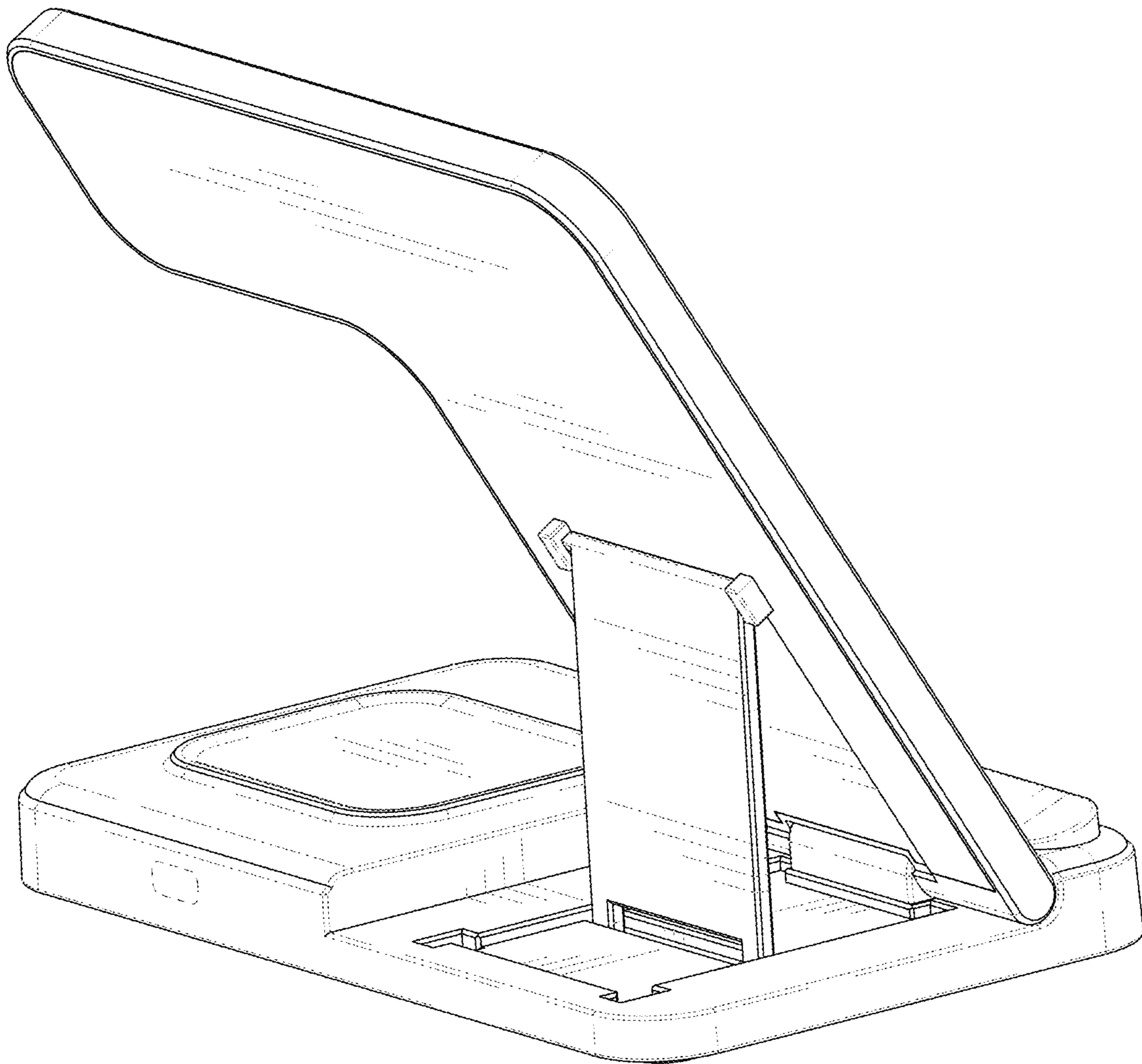


FIG. 2

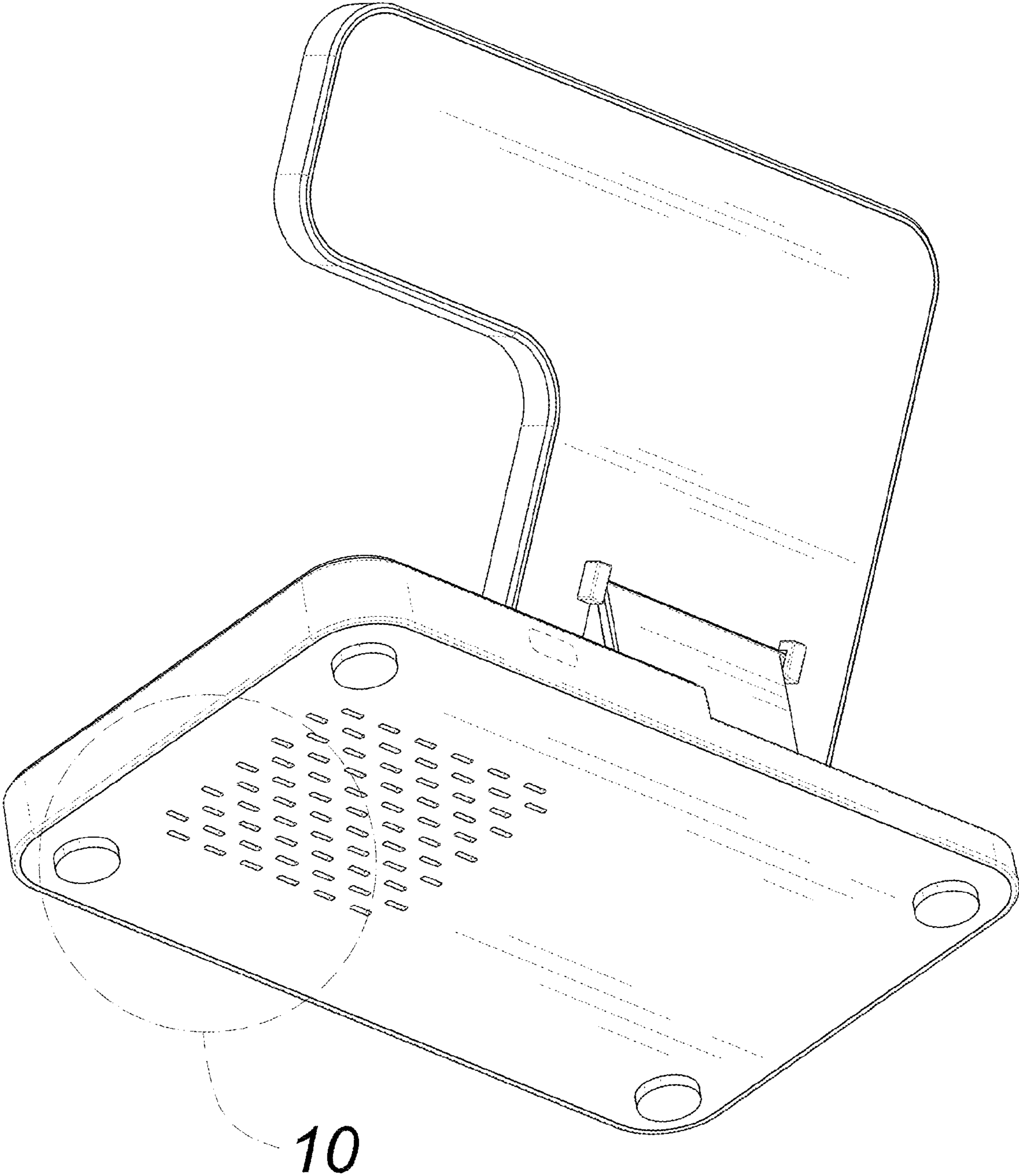


FIG. 3

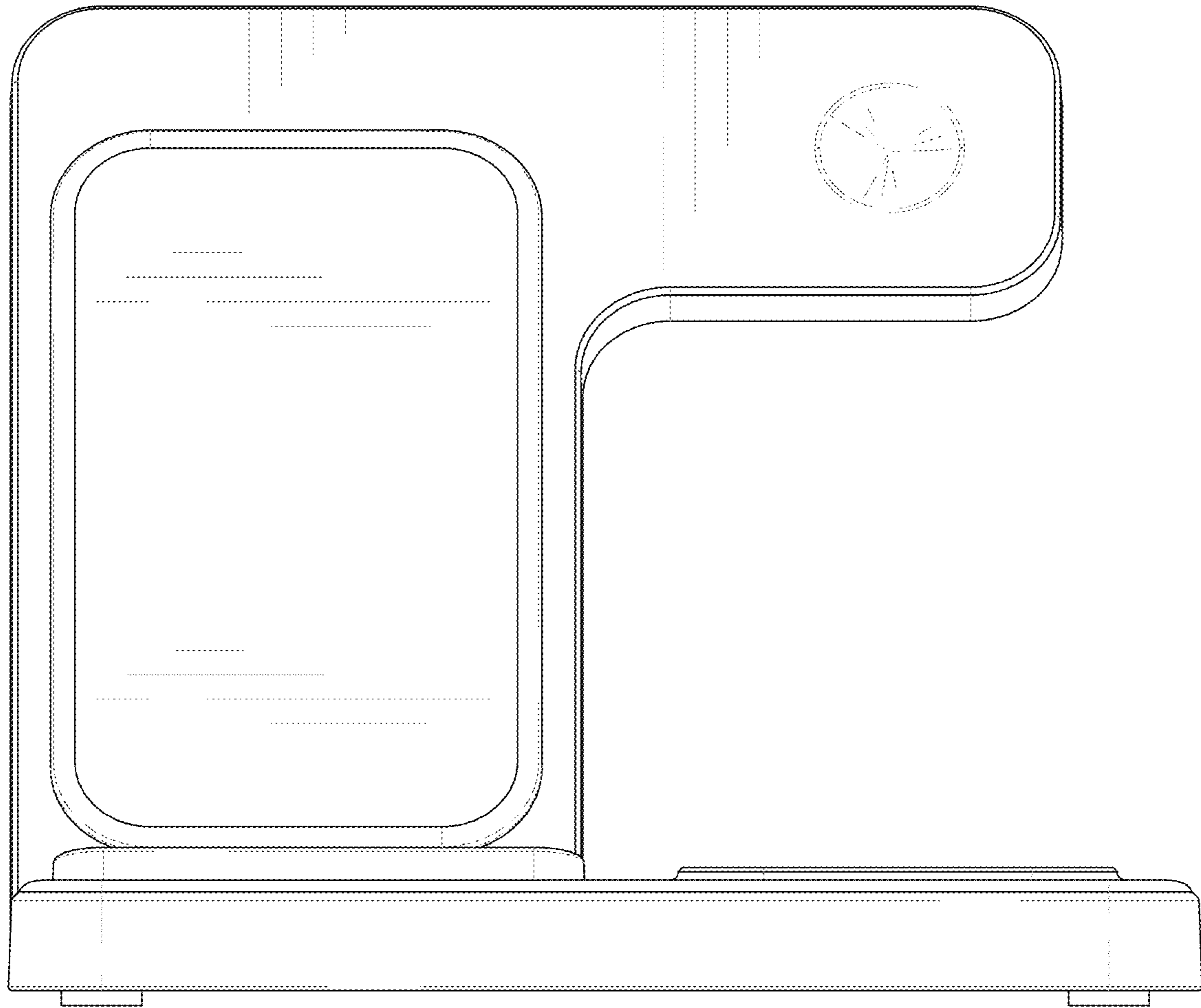


FIG. 4

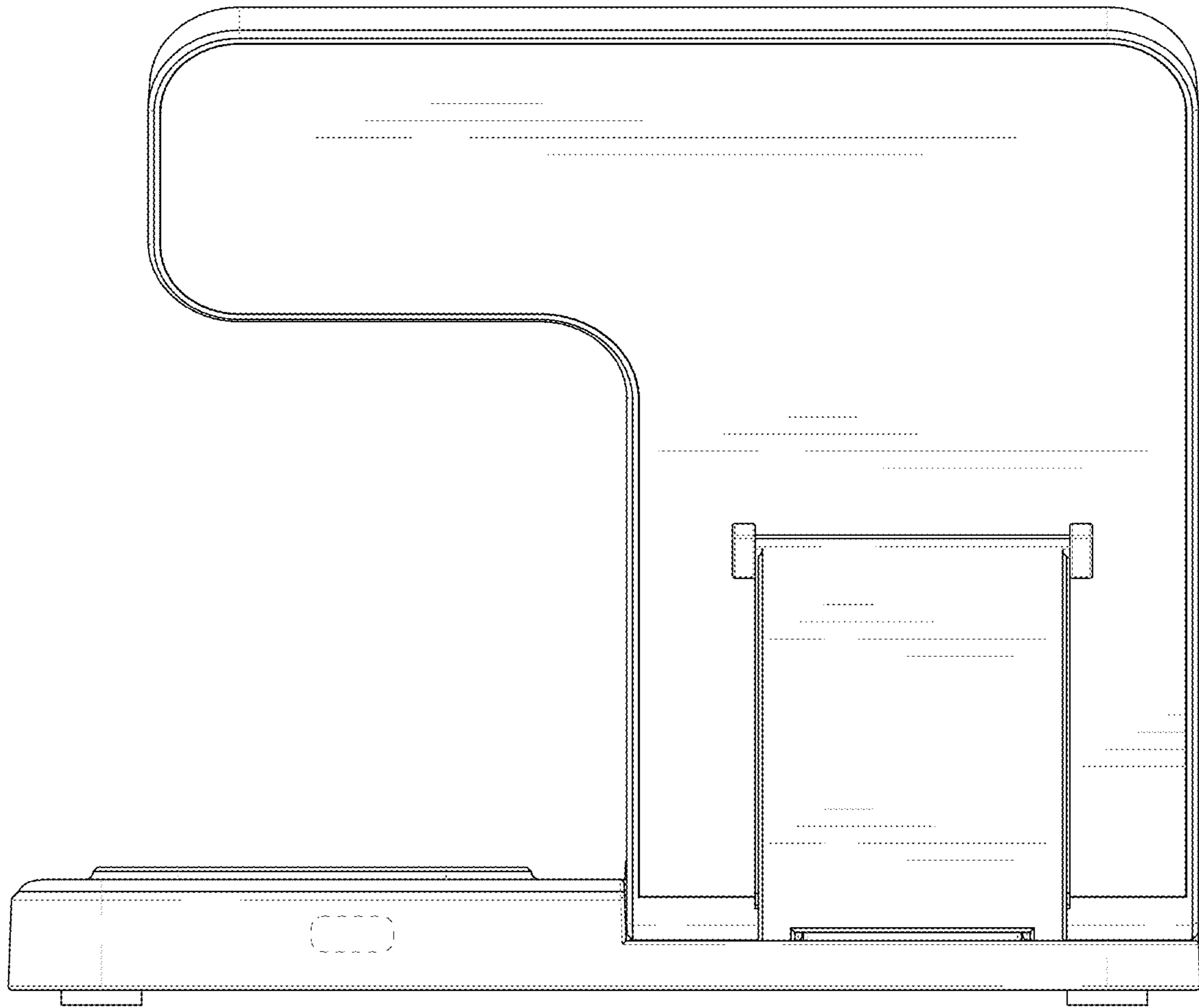


FIG. 5

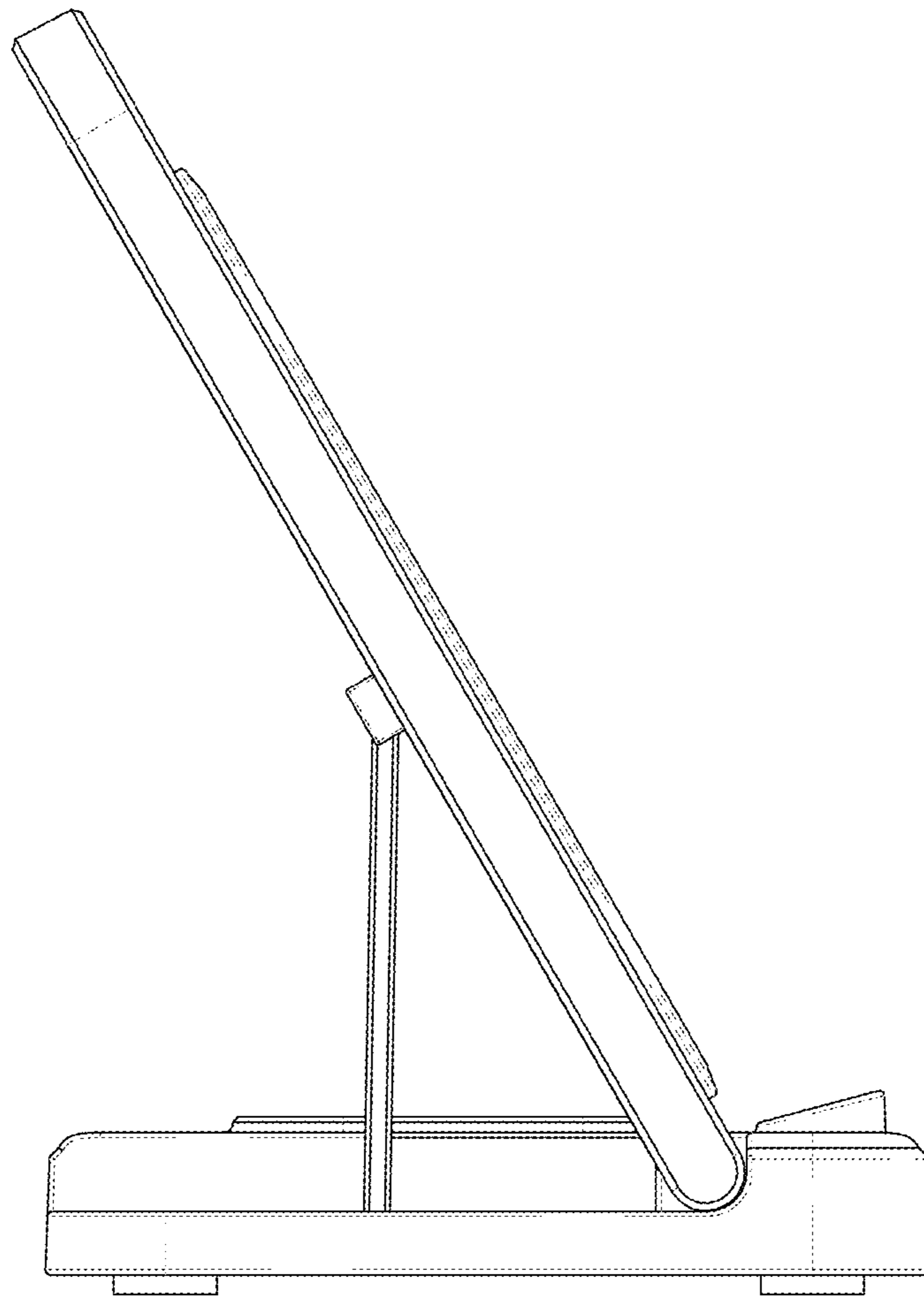


FIG. 6

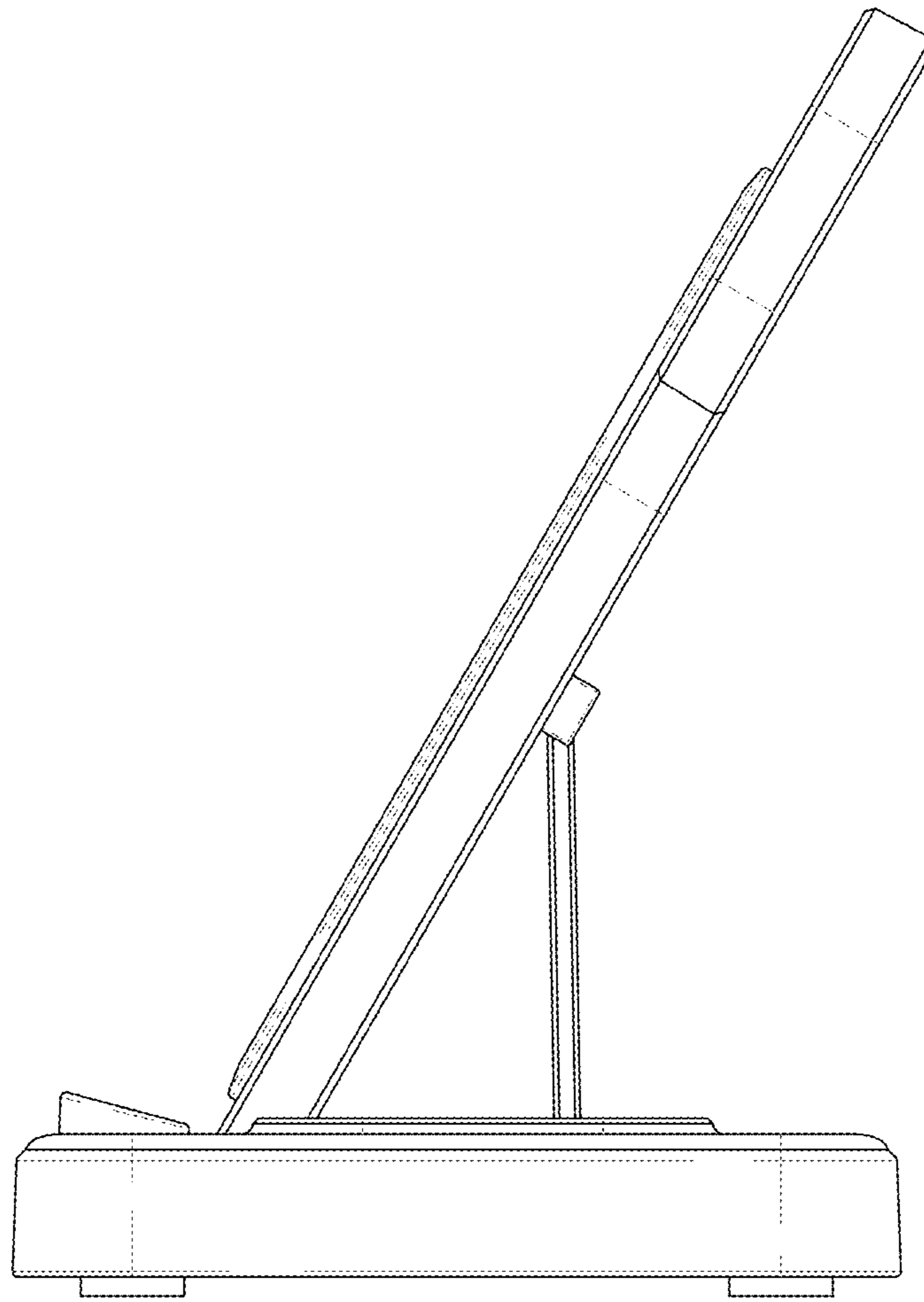


FIG. 7

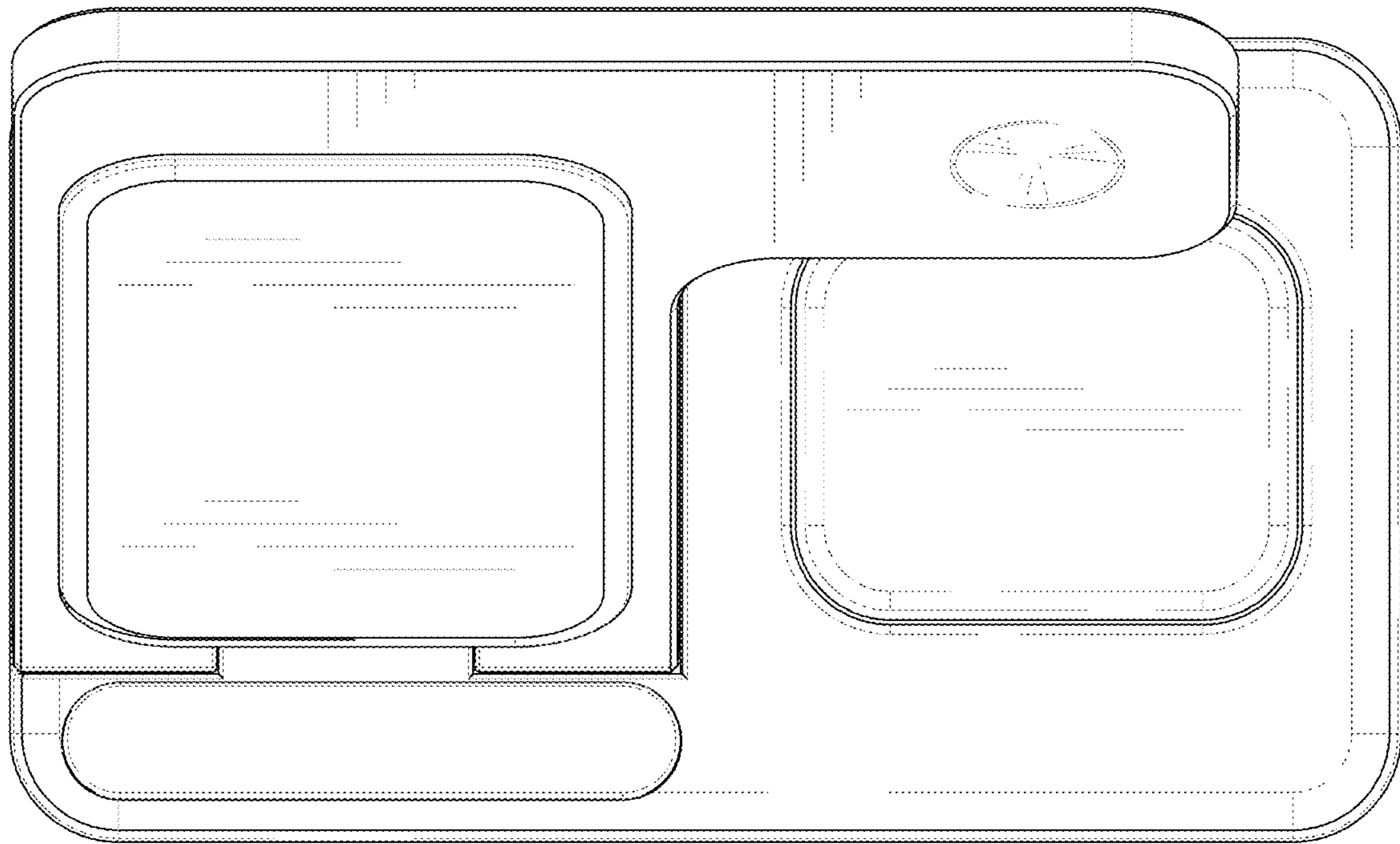


FIG. 8

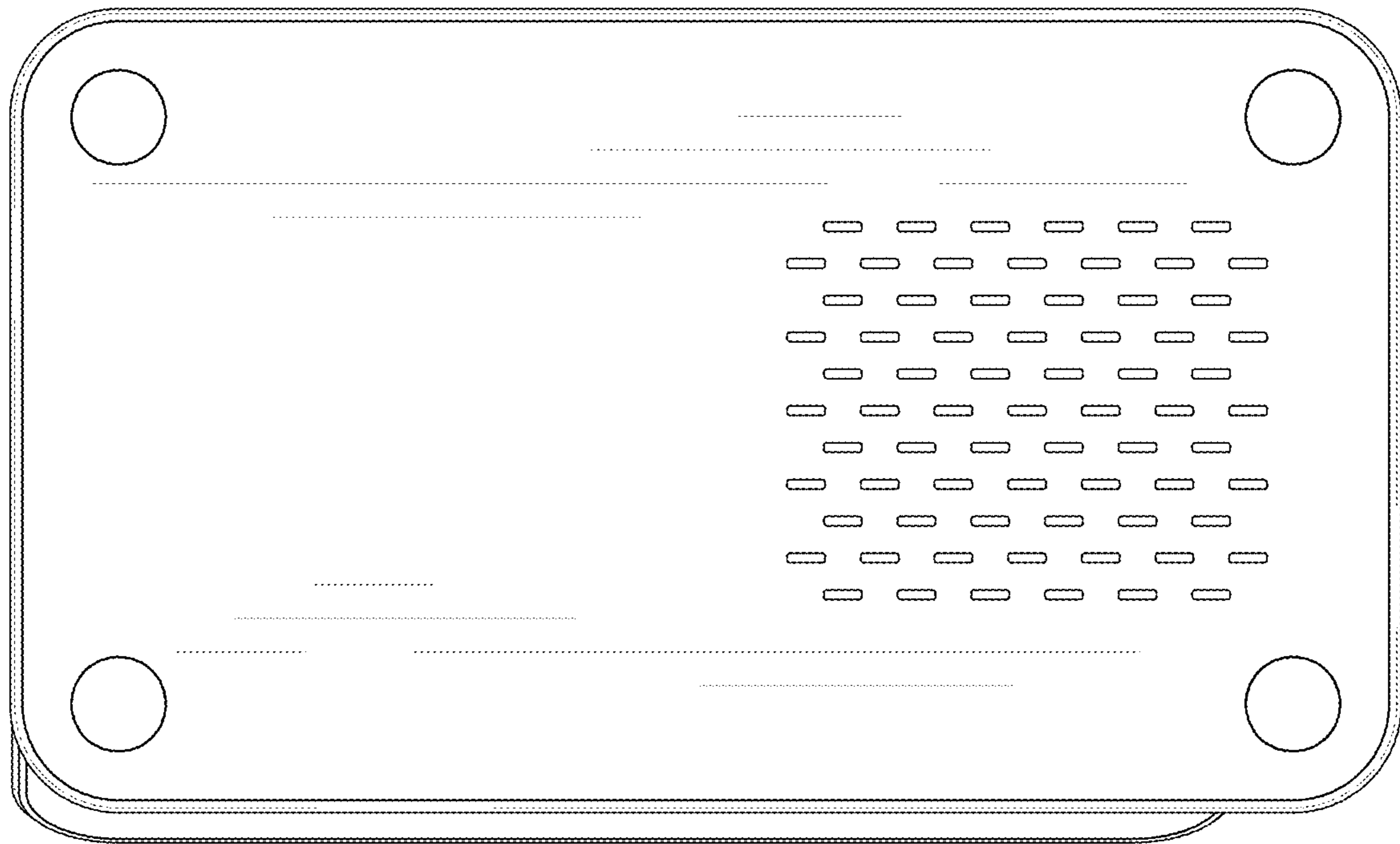


FIG. 9

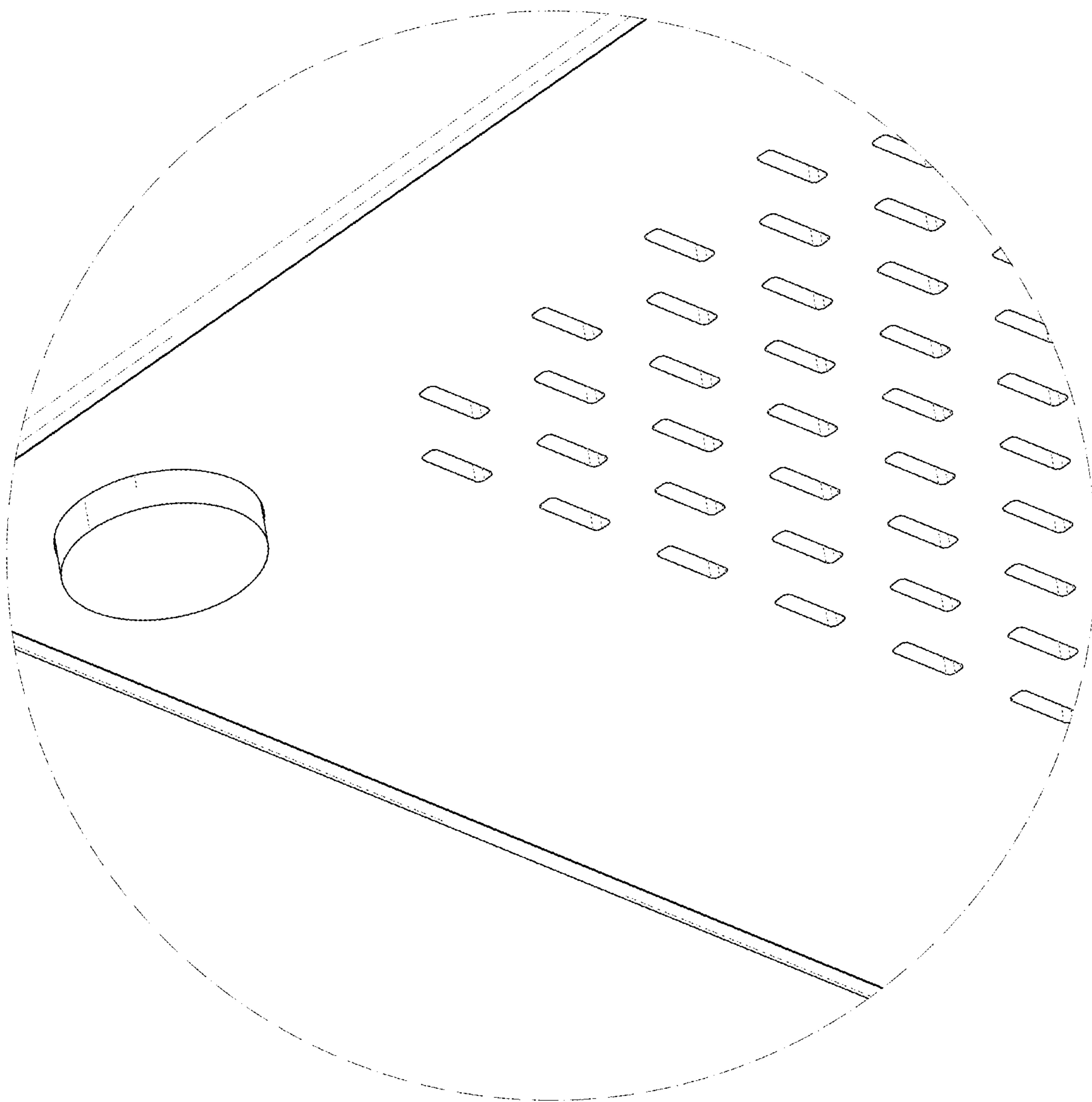


FIG. 10

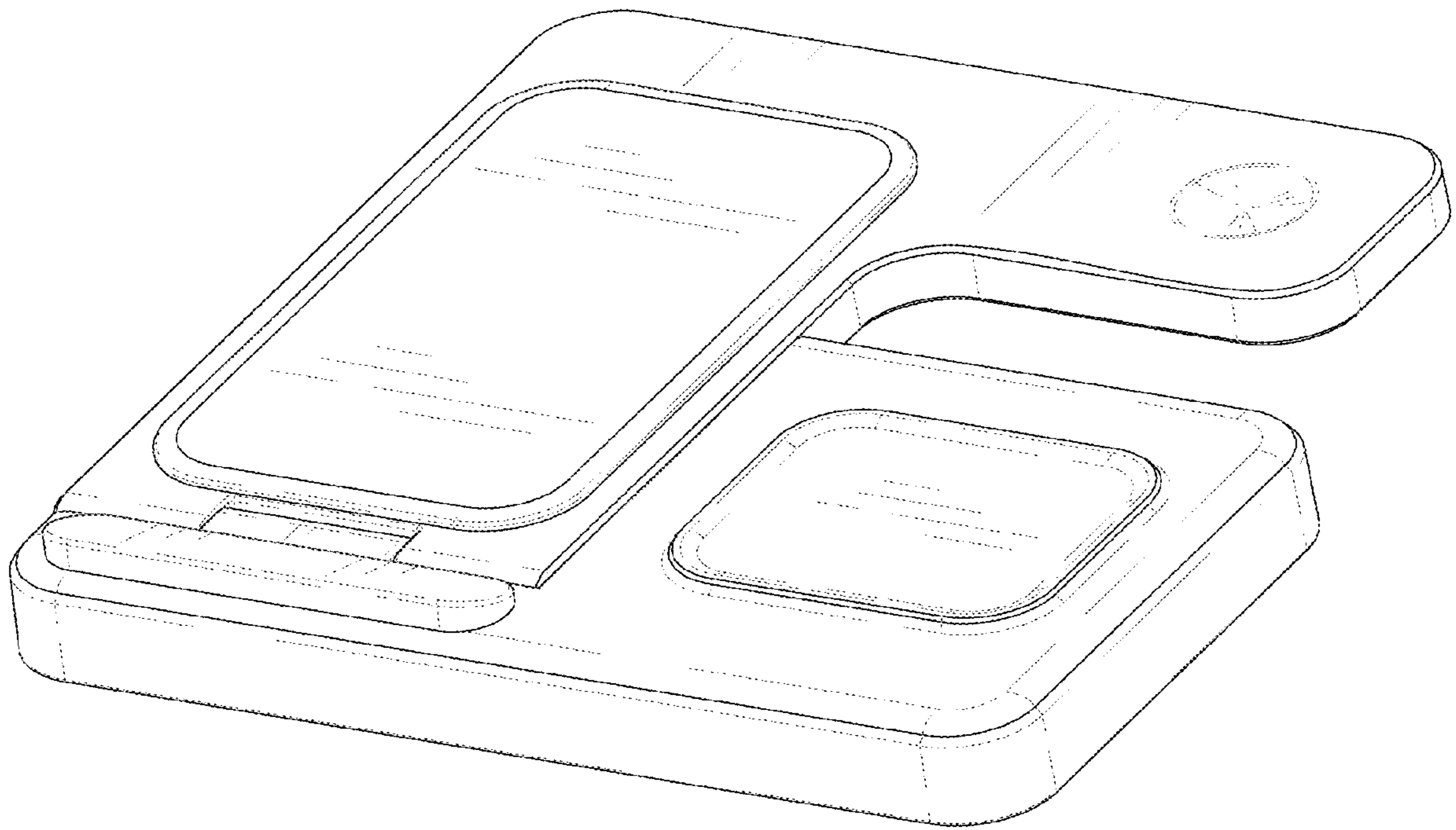


FIG. 11