



US00D987564S

(12) **United States Design Patent** (10) **Patent No.:** **US D987,564 S**
Reimann et al. (45) **Date of Patent:** **** May 30, 2023**

(54) **CHARGING CASE AND WIRELESS
EARBUDS ASSEMBLY**

(71) Applicant: **Google LLC**, Mountain View, CA (US)

(72) Inventors: **Gina Reimann**, Los Gatos, CA (US);
Luke David Mastrangelo, San Francisco, CA (US); **Maj Isabelle Olsson**, Sunnyvale, CA (US); **Idil Girard**, Santa Clara, CA (US); **Peter Michael Cazalet**, Los Gatos, CA (US); **Benjamin Caleb Carroll**, San Francisco, CA (US); **Shameem Hameed**, San Jose, CA (US); **Sandeep Singh Waraich**, Mountain View, CA (US)

(73) Assignee: **GOOGLE LLC**, Mountain View, CA (US)

(**) Term: **15 Years**

(21) Appl. No.: **29/806,311**

(22) Filed: **Sep. 2, 2021**

Related U.S. Application Data

(62) Division of application No. 29/709,192, filed on Oct. 11, 2019, now Pat. No. Des. 932,428.

(51) **LOC (14) Cl.** **13-02**

(52) **U.S. Cl.**
USPC **D13/108**; D3/294; D14/223

(58) **Field of Classification Search**
USPC D13/103, 107, 108, 118, 119, 199;
D3/201, 218, 273, 276, 294, 295, 299;
D14/205, 223, 240, 432, 434, 439
CPC . A45C 2011/001; B65D 43/16; H04R 1/1025
See application file for complete search history.

(56) **References Cited**

U.S. PATENT DOCUMENTS

D806,388	S	*	1/2018	Akana	D3/294
D902,588	S	*	11/2020	Zhang	D3/294
D914,591	S	*	3/2021	Ganapathy	D13/107
D942,753	S	*	2/2022	Zhou	D3/274
D944,197	S	*	2/2022	Li	D14/223
D948,484	S	*	4/2022	Zhang	D14/223

(Continued)

OTHER PUBLICATIONS

“Bluetooth Earbuds”. Found online Dec. 10, 2020 at amazon.com. Reference dated Feb. 18, 2019. Retrieved from https://www.amazon.com/Bluetooth-Bluetooth-Headphones-Sweatproof-Earphones/dp/B07S93YL9K/ref=pd_day0_23_1/146-8590985-5717053. (Year: 2019).*

(Continued)

Primary Examiner — Kendra Leslie Hamilton

Assistant Examiner — Amanda Christensen

(74) *Attorney, Agent, or Firm* — Leason Ellis LLP

(57) **CLAIM**

The ornamental design for a charging case and wireless earbuds assembly, as shown and described.

DESCRIPTION

FIG. 1 is a top, front, right side perspective view of a charging case and wireless earbuds assembly, showing our new design;

FIG. 2 is a front elevation view thereof;

FIG. 3 is a rear elevation view thereof;

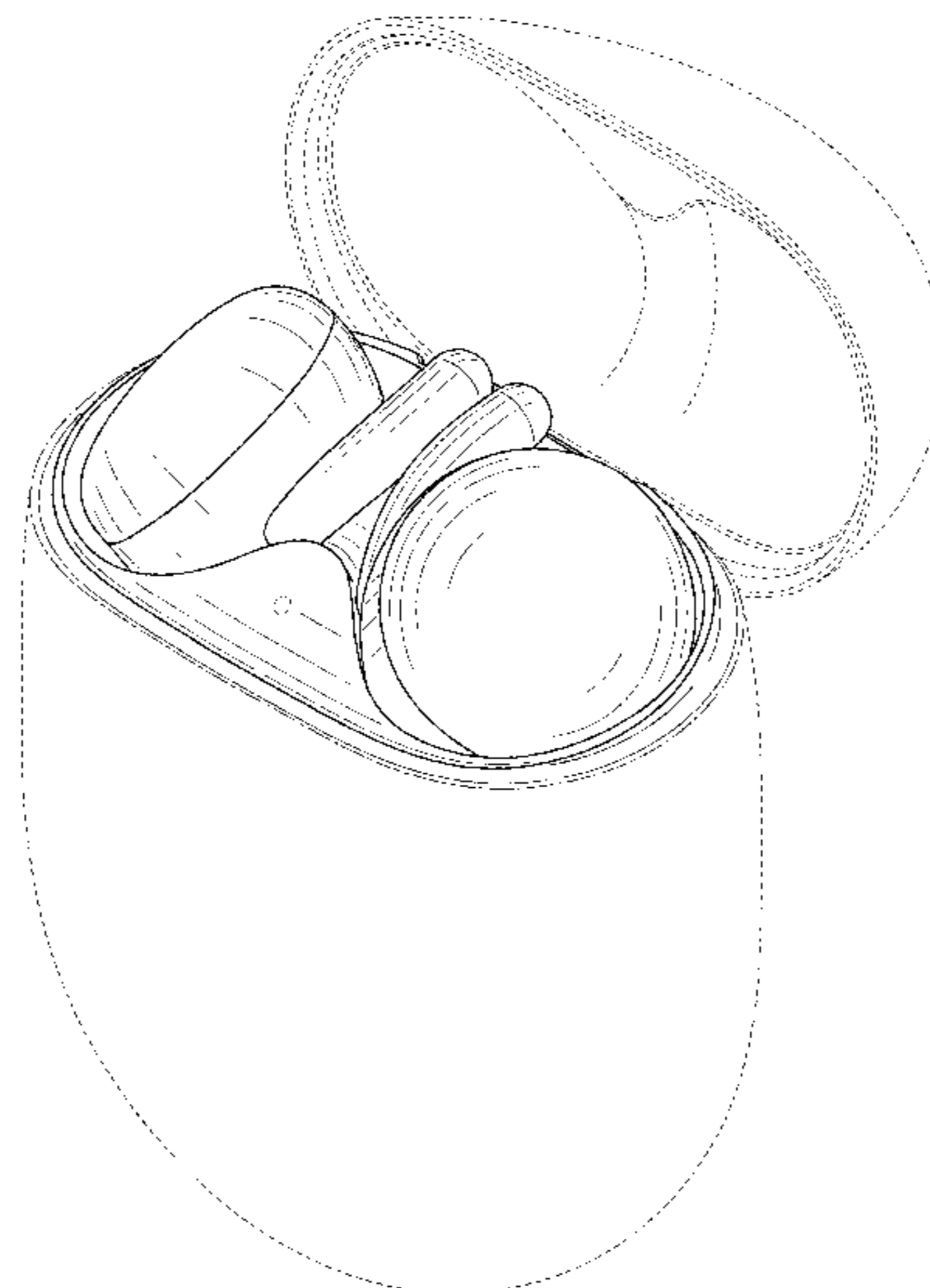
FIG. 4 is a left side elevation view thereof;

FIG. 5 is a right side elevation view thereof; and,

FIG. 6 is a top plan view thereof.

The broken lines in the drawings depict portions of the charging case and wireless earbuds assembly that form no part of the claimed design. The dot-dash lines in the drawings are boundary lines that form no part of the claimed design.

1 Claim, 6 Drawing Sheets



(56)

References Cited

U.S. PATENT DOCUMENTS

D955,982 S * 6/2022 Reimann D13/108
D957,818 S * 7/2022 Liu D3/294
D958,117 S * 7/2022 Zhang D3/274
D958,532 S * 7/2022 Ekman D3/294
2021/0337303 A1 * 10/2021 Macomber H04R 1/10
2021/0345031 A1 * 11/2021 DeMaio H04R 1/1016
2022/0279263 A1 * 9/2022 Le H04R 1/1025

OTHER PUBLICATIONS

“Google Pixel Earbuds 2”. Found online Dec. 4, 2020 at androidauthority.com. Reference dated Oct. 15, 2019. Retrieved from <https://www.androidauthority.com/google-pixel-buds-2-review-1040861/>. (Year: 2019).*

“Apple AirPods (2nd Generation) Wireless Earbuds”. Found online Jul. 12, 2022 at amazon.com. Reference dated Mar. 20, 2019. Retrieved from <https://www.amazon.com/Apple-AirPods-Charging-Latest-Model/dp/B07PXXGQC1Q>. (Year: 2019).*

* cited by examiner

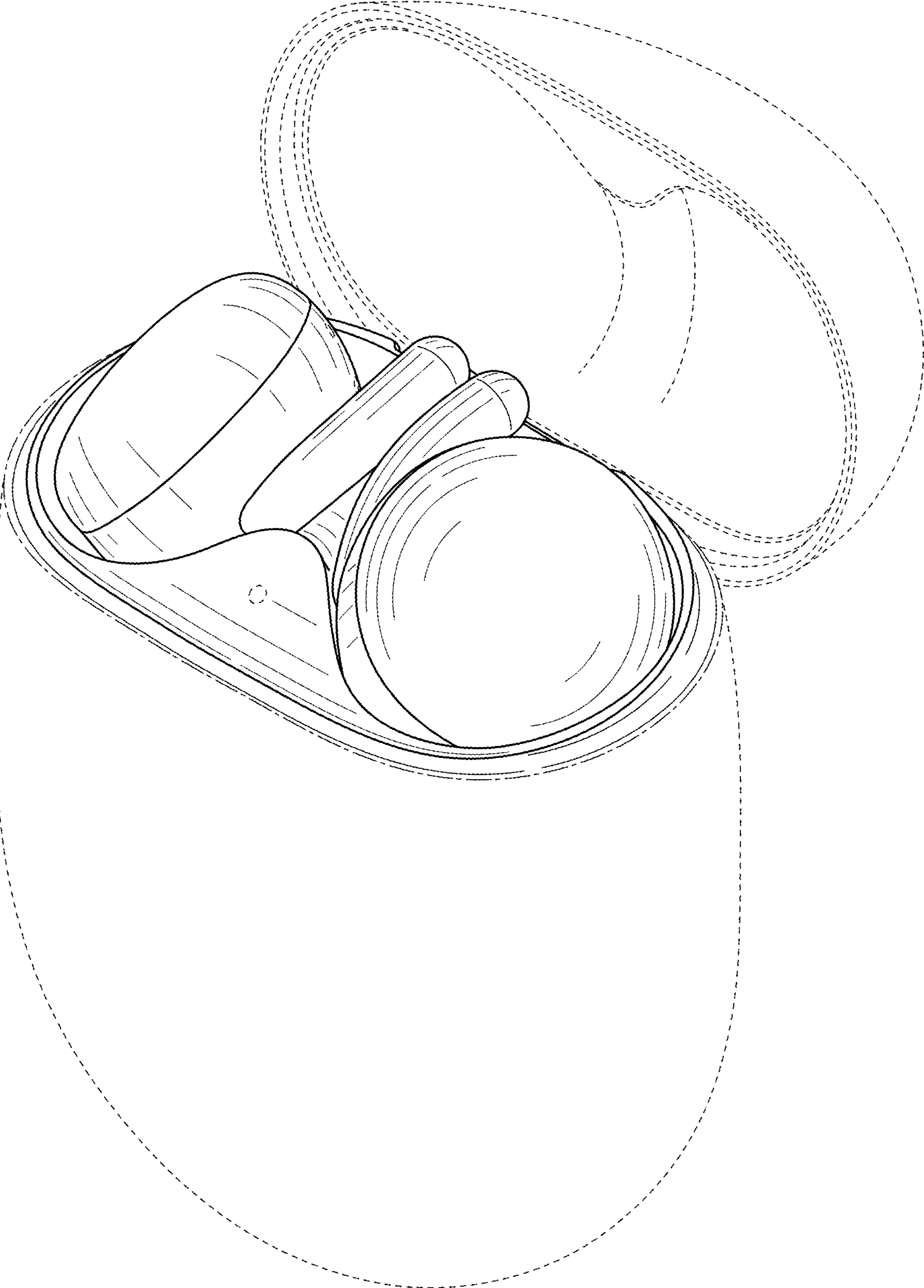


FIG. 1

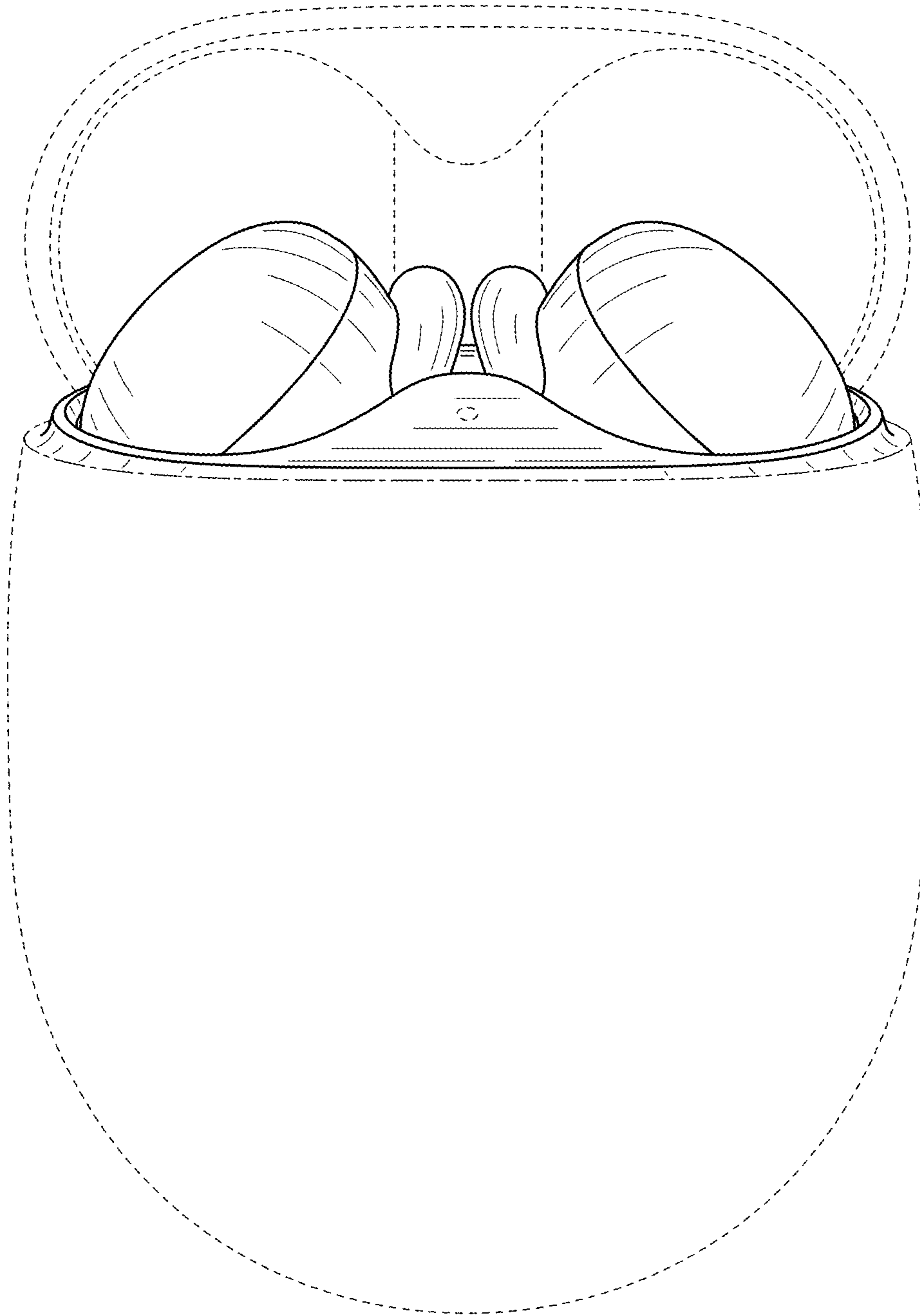


FIG. 2

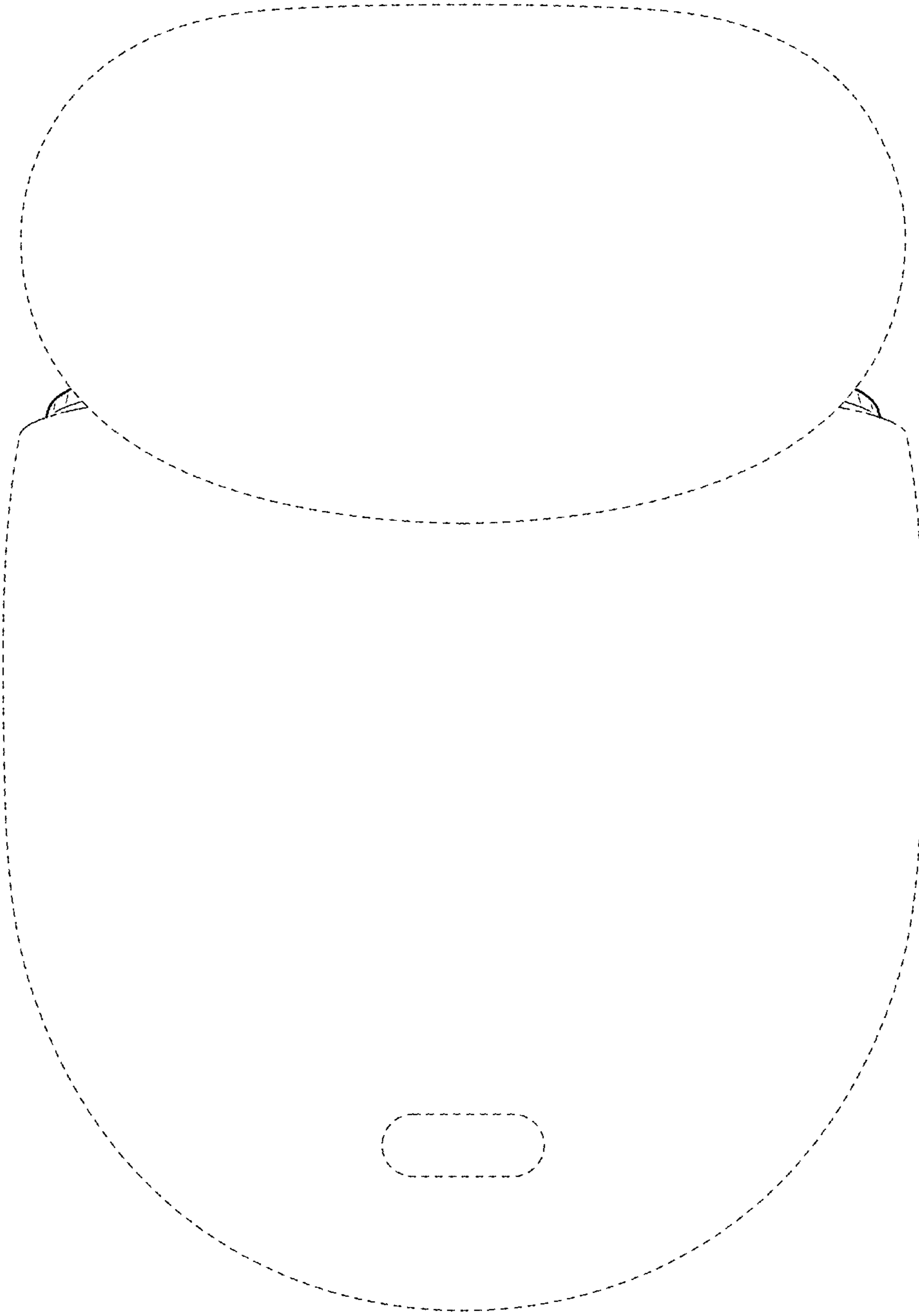


FIG. 3

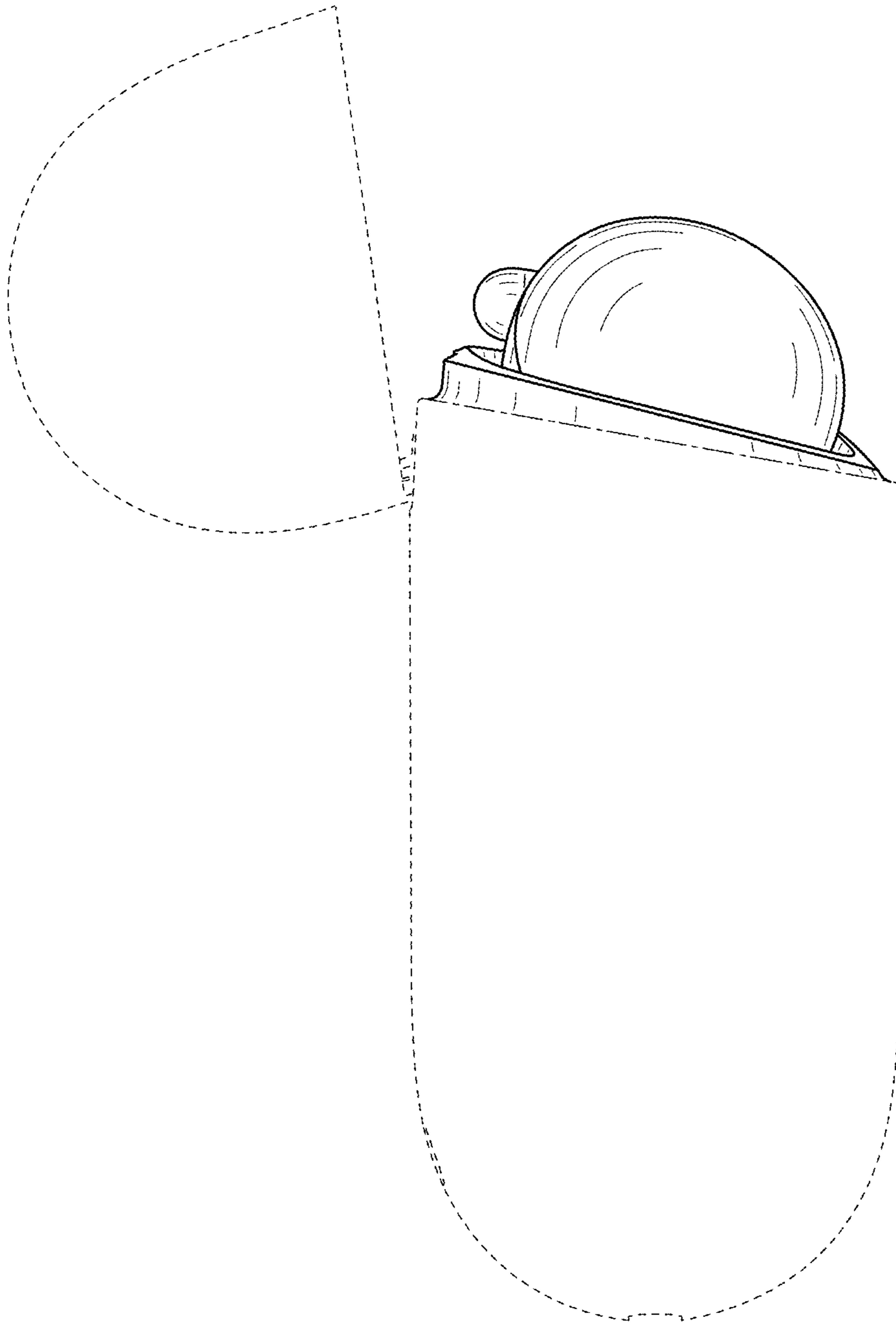


FIG. 4

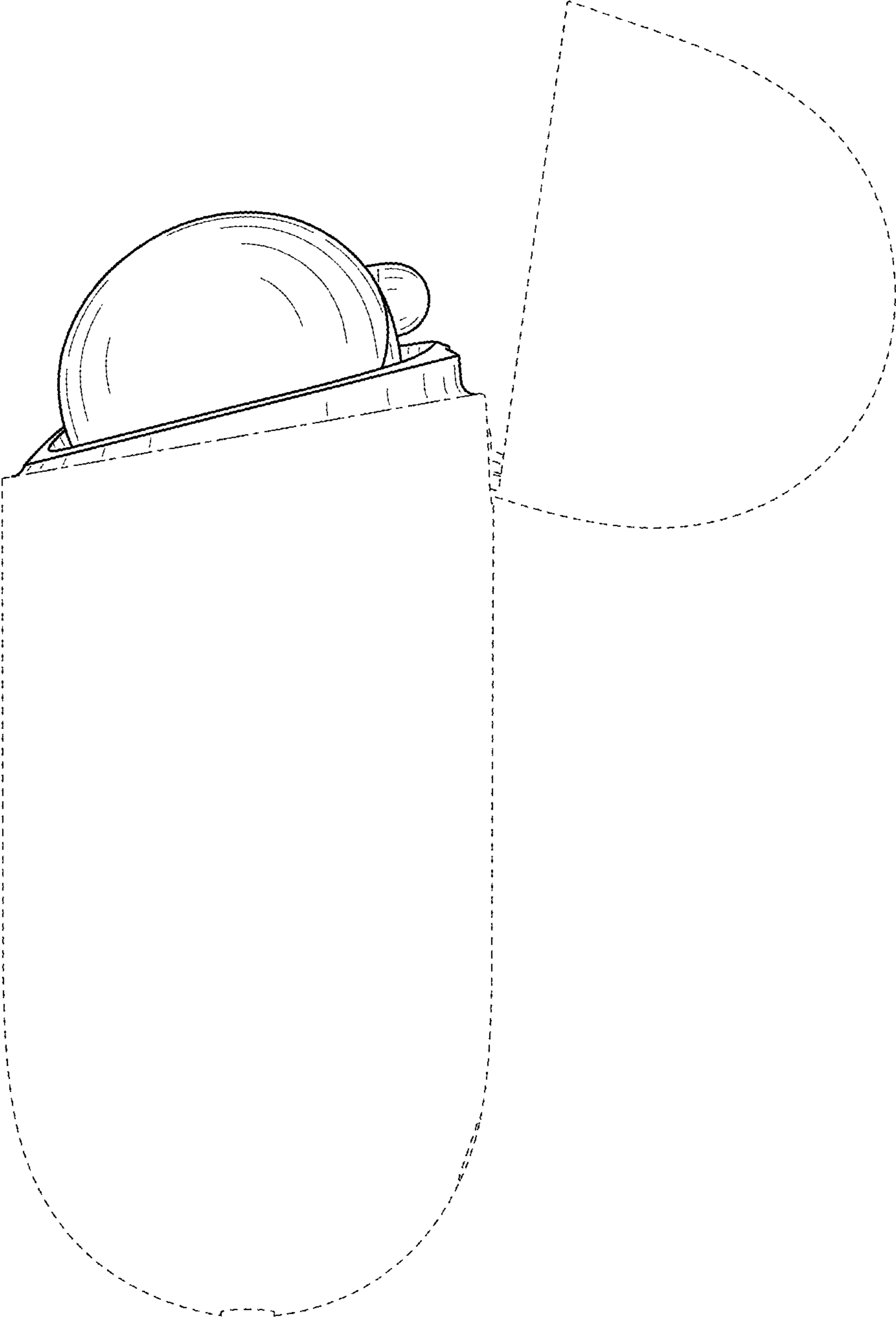


FIG. 5

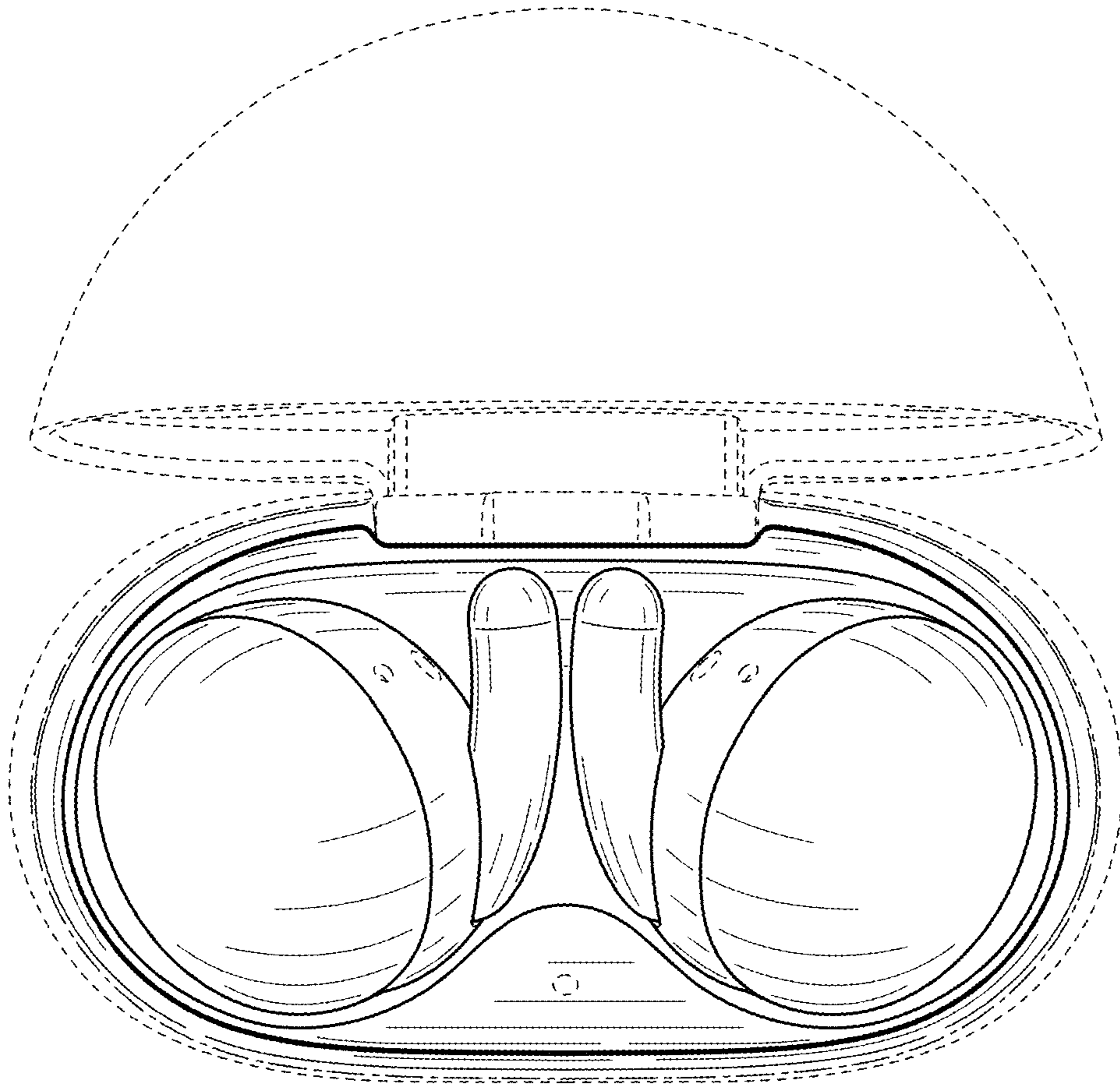


FIG. 6