



US00D987563S

(12) **United States Design Patent**
Yin et al.

(10) **Patent No.:** **US D987,563 S**
(45) **Date of Patent:** **** May 30, 2023**

(54) **PORTABLE POWER SUPPLY**

FOREIGN PATENT DOCUMENTS

(71) Applicant: **SHENZHEN POWEROAK**
NEWENER CO., LTD, Shenzhen (CN)

EM 008411219-0001 * 1/2021

(72) Inventors: **Xiangzhu Yin**, Shenzhen (CN); **Gang Wang**, Shenzhen (CN); **Hao Zhang**, Shenzhen (CN)

OTHER PUBLICATIONS

(73) Assignee: **SHENZHEN POWEROAK**
NEWENER CO., LTD, Shenzhen (CN)

“Suaoki Battery”. Found online Dec. 13, 2022 at anandtech.com. Reference dated Mar. 19, 2020. Retrieved from <https://www.anandtech.com/show/15636/a-200000-mah-battery-for-108-hrs-of-nintendo-switch-gaming>. (Year: 2020).*

(Continued)

(**) Term: **15 Years**

Primary Examiner — Kendra Leslie Hamilton

Assistant Examiner — Amanda Christensen

(21) Appl. No.: **29/767,843**

(74) *Attorney, Agent, or Firm* — Carter, DeLuca & Farrell LLP; George Likourezos

(22) Filed: **Jan. 26, 2021**

(51) **LOC (14) Cl.** **13-02**

(52) **U.S. Cl.**
USPC **D13/107**

(58) **Field of Classification Search**
USPC D13/103, 106, 107, 108, 109, 110, 116,
D13/118, 119
CPC H02J 7/0003; H05K 5/00; F02N 11/12;
F02N 11/14
See application file for complete search history.

(57) **CLAIM**

The ornamental design for a portable power supply, as shown and described.

DESCRIPTION

(56) **References Cited**

U.S. PATENT DOCUMENTS

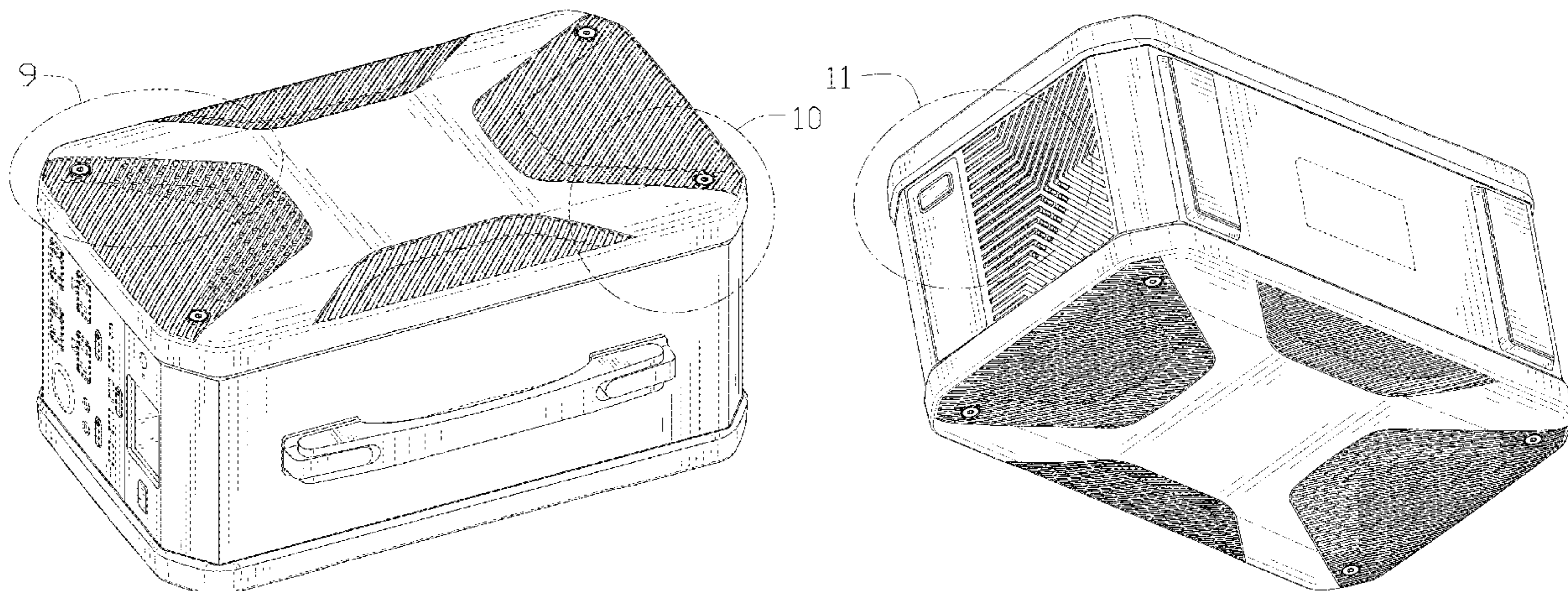
4,595,841 A *	6/1986	Yaguchi	F02B 75/16
				D13/116
D813,161 S *	3/2018	Ortakales	D13/110
D873,767 S *	1/2020	Rao	D13/107
D911,935 S *	3/2021	Alexander	D13/107
D916,011 S *	4/2021	Finocchiaro	D13/107
D953,256 S *	5/2022	Lou	D13/107
D955,978 S *	6/2022	Wu	D13/103
D961,500 S *	8/2022	Sun	D13/116
D972,499 S *	12/2022	Večerić	D13/103
D972,504 S *	12/2022	He	D13/103

(Continued)

FIG. 1 is a front, perspective view of a portable power supply showing our new design;
FIG. 2 is a rear, perspective view thereof;
FIG. 3 is a front elevational view thereof;
FIG. 4 is a rear perspective view thereof;
FIG. 5 is a left, side elevational view thereof;
FIG. 6 is a right, side elevational view thereof;
FIG. 7 is a top plan view thereof;
FIG. 8 is a bottom plan view thereof;
FIG. 9 is an enlarged view of the area “9” shown in FIG. 1;
FIG. 10 is an enlarged view of the area “10” shown in FIG. 1; and,
FIG. 11 is an enlarged view of the area “11” shown in FIG. 2.

The broken lines depict portions of the portable power supply that form no part of the claimed design.

1 Claim, 11 Drawing Sheets



(56)

References Cited

U.S. PATENT DOCUMENTS

2015/0059662 A1* 3/2015 Lan F02B 63/048
123/2
2016/0129524 A1* 5/2016 Evans B23K 37/0294
219/136
2022/0209283 A1* 6/2022 Tong H02J 7/0042

OTHER PUBLICATIONS

“Aimtom Power Station”. Found online Aug. 24, 2021 at amazon.com. Reference dated Jul. 26, 2018. Retrieved from <https://www.amazon.com/dp/B0791Y1WSQ/>. (Year: 2018).*

“DenGaWa Portable Power Station”. Found online Jan. 10, 2022 at amazon.com. Reference dated Aug. 19, 2019. Retrieved from https://www.amazon.com/DenGaWa-Portable-Station-Outdoors-Emergency/dp/B07WQYLZFQ/ref=asc_df_B07WQYLZFQ/. (Year: 2019).*

* cited by examiner

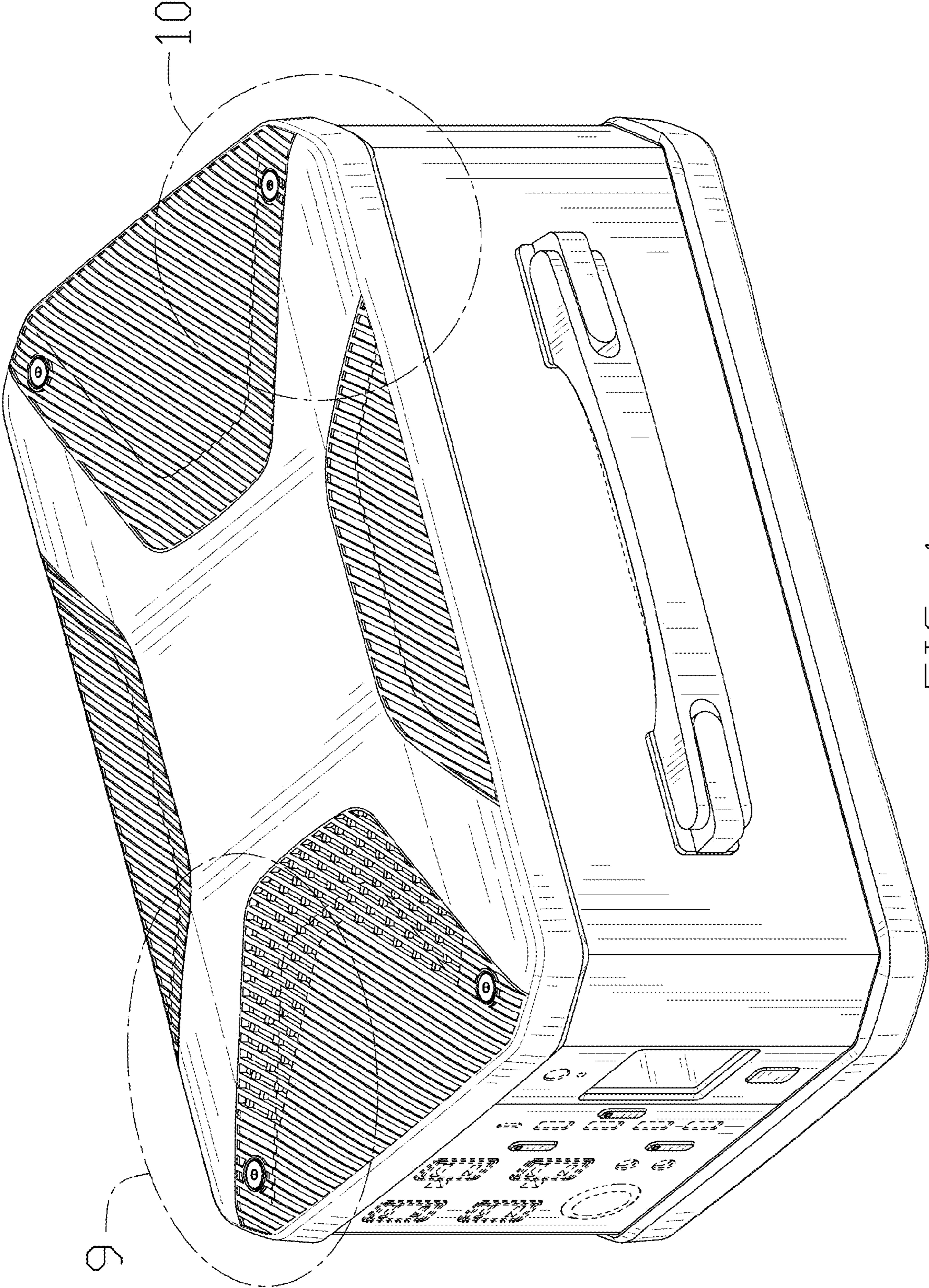


FIG. 1

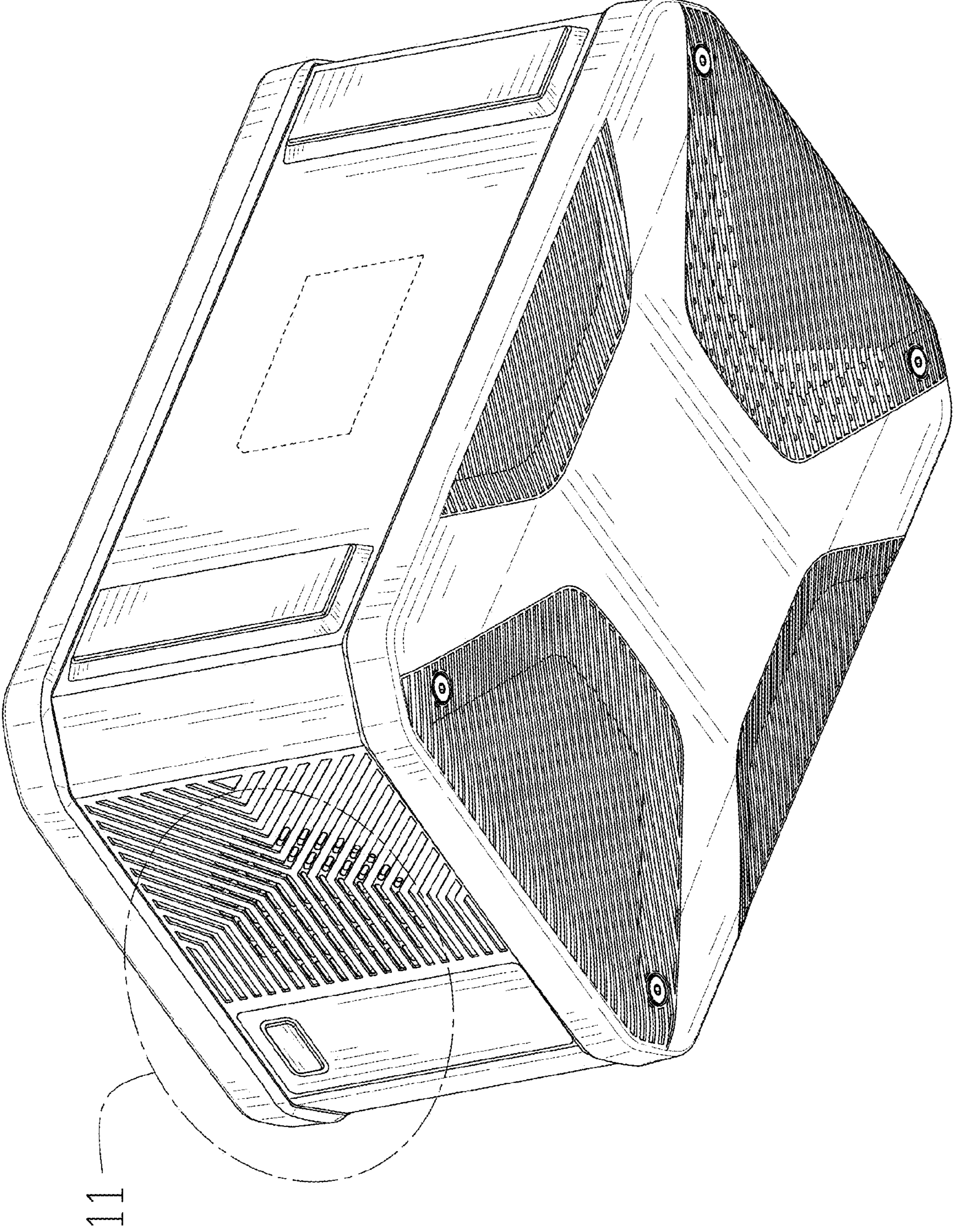


FIG. 2

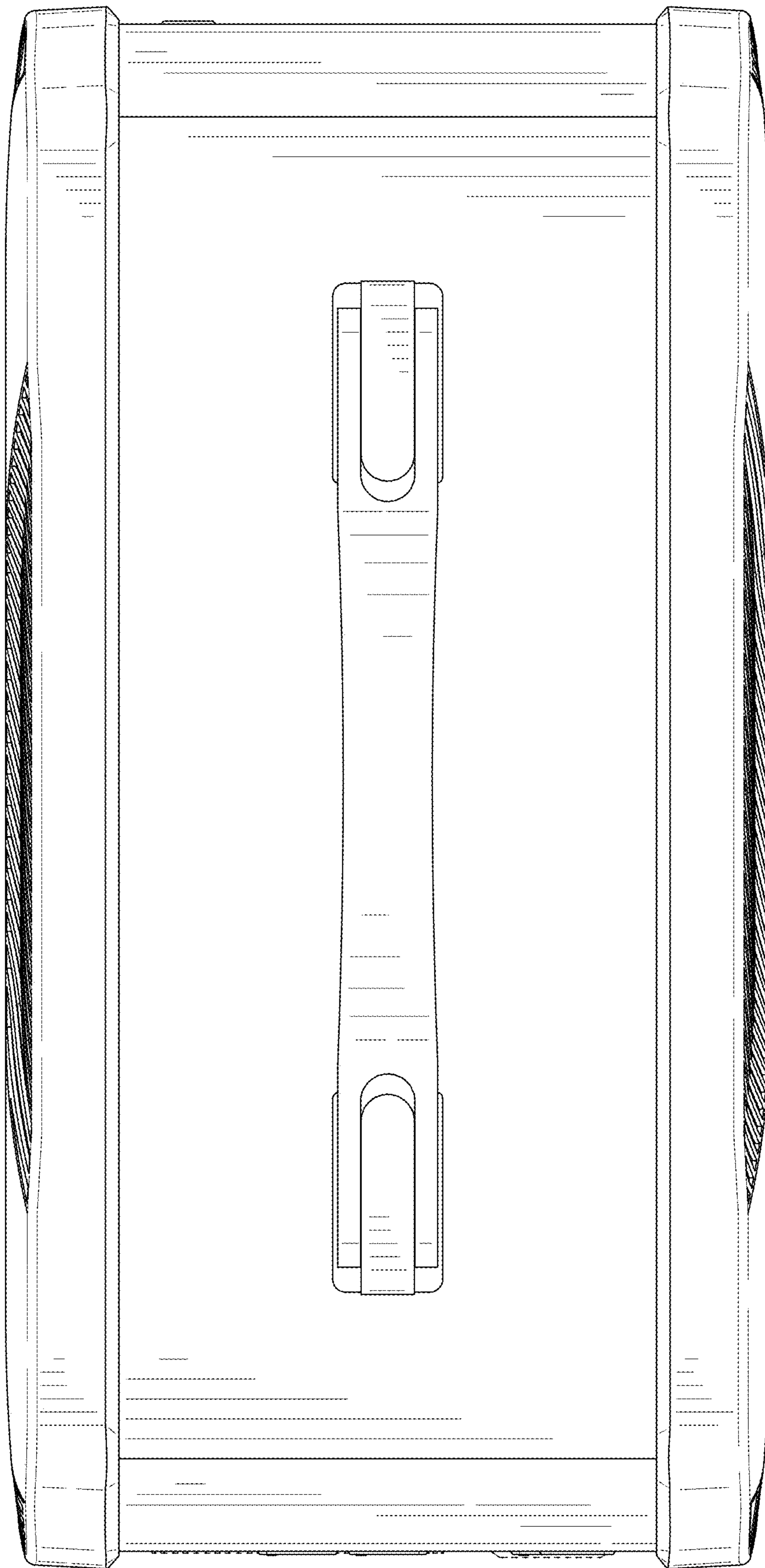


FIG. 3

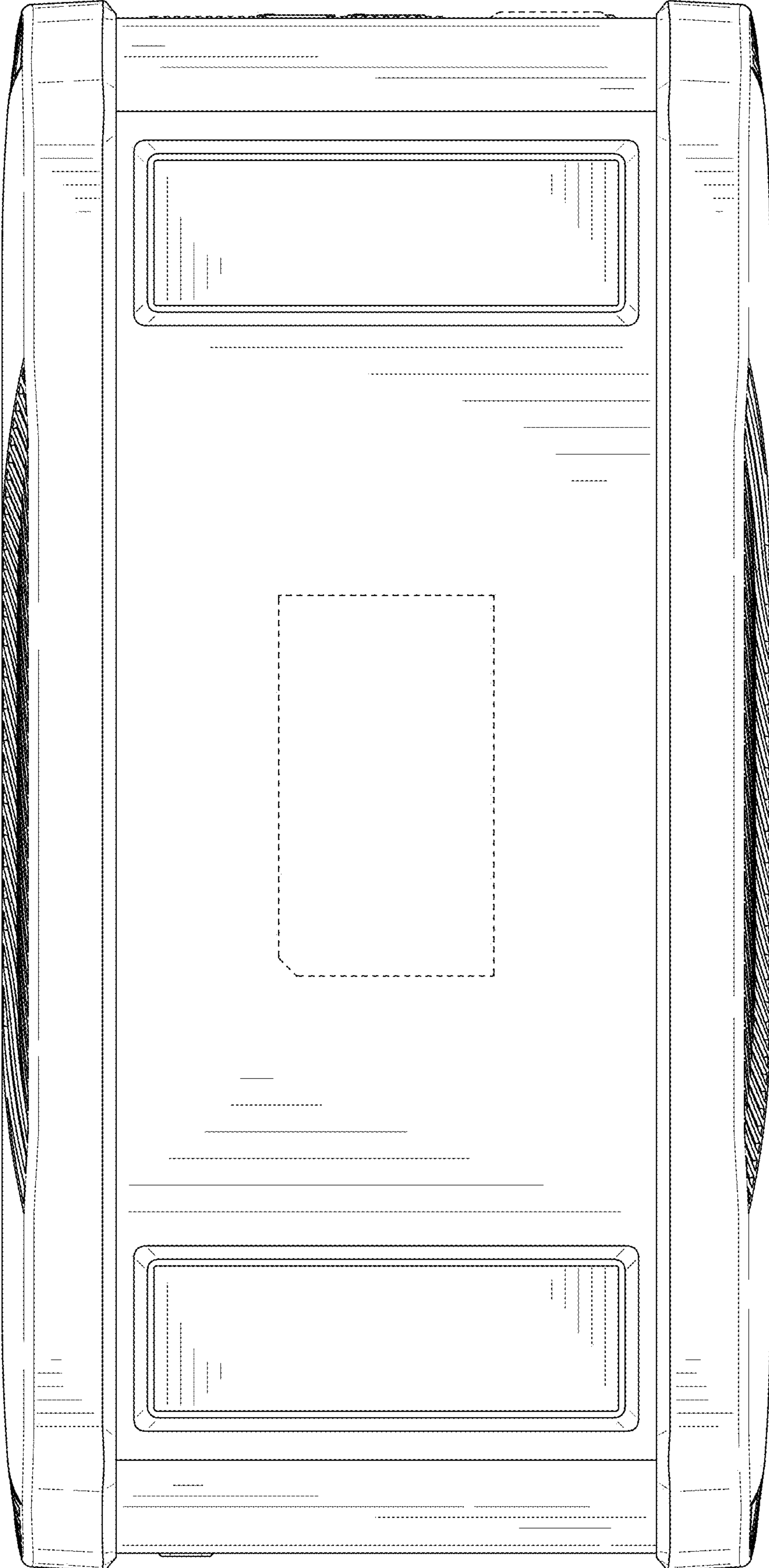


FIG. 4

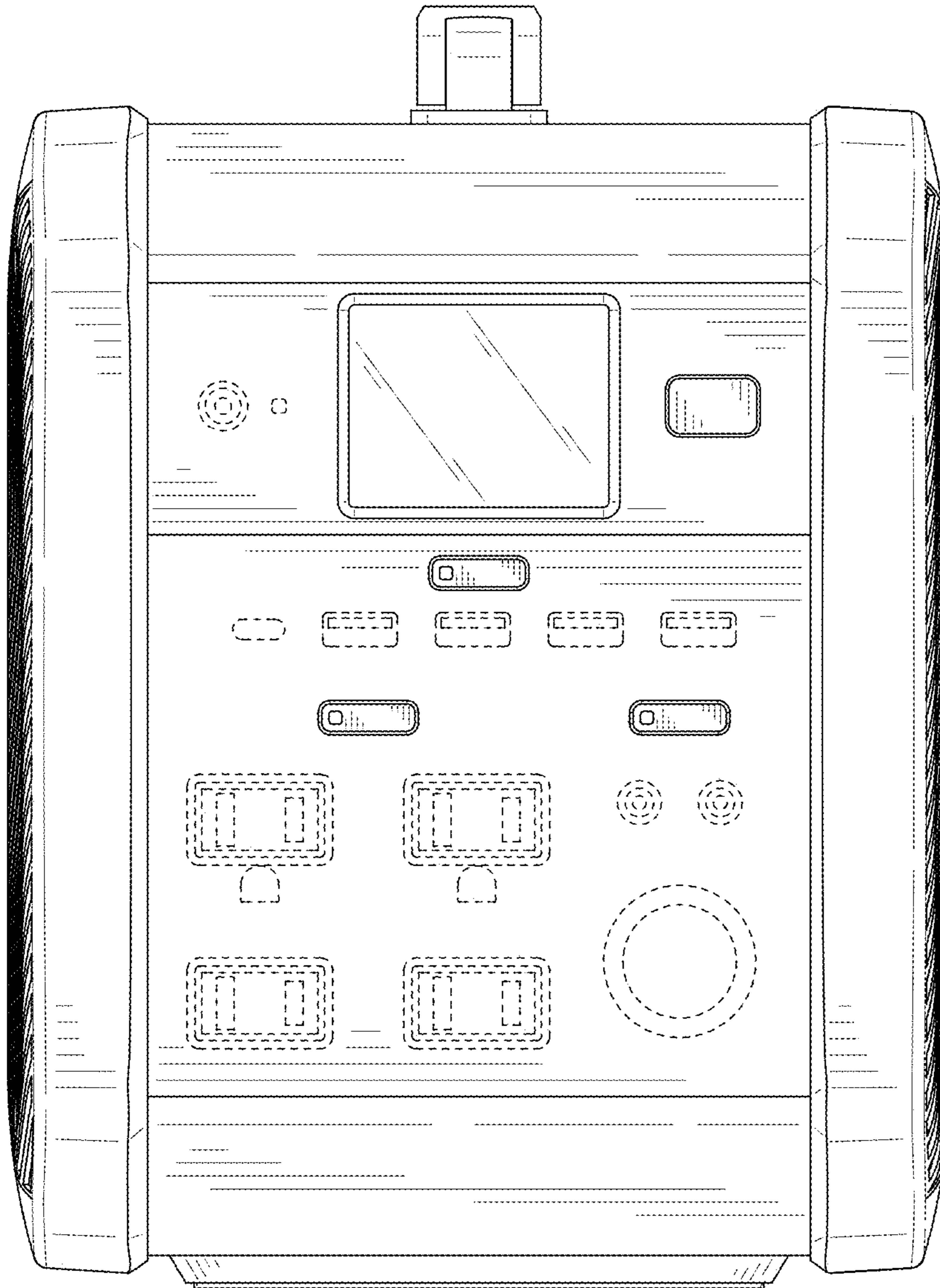


FIG. 5

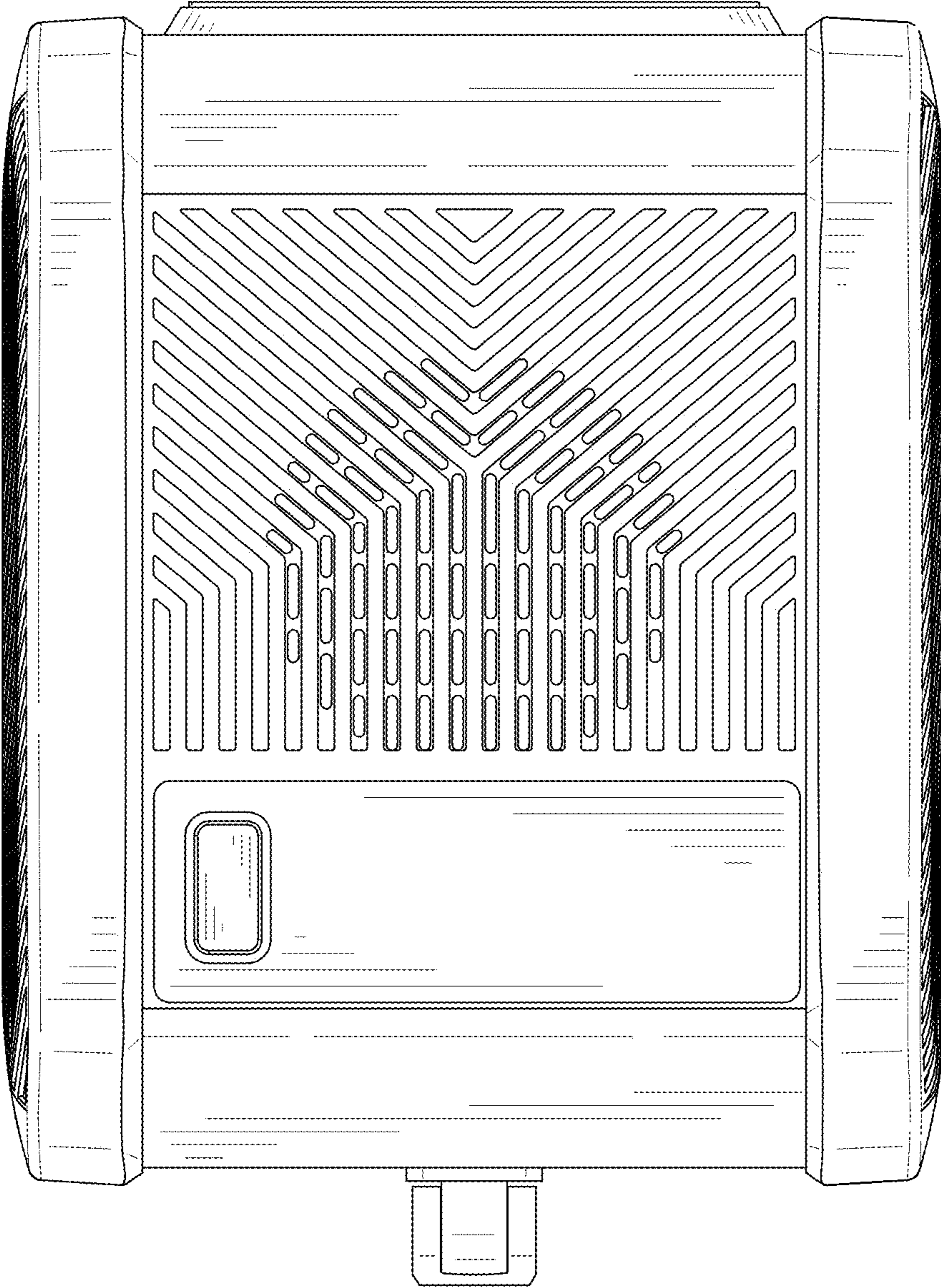


FIG. 6

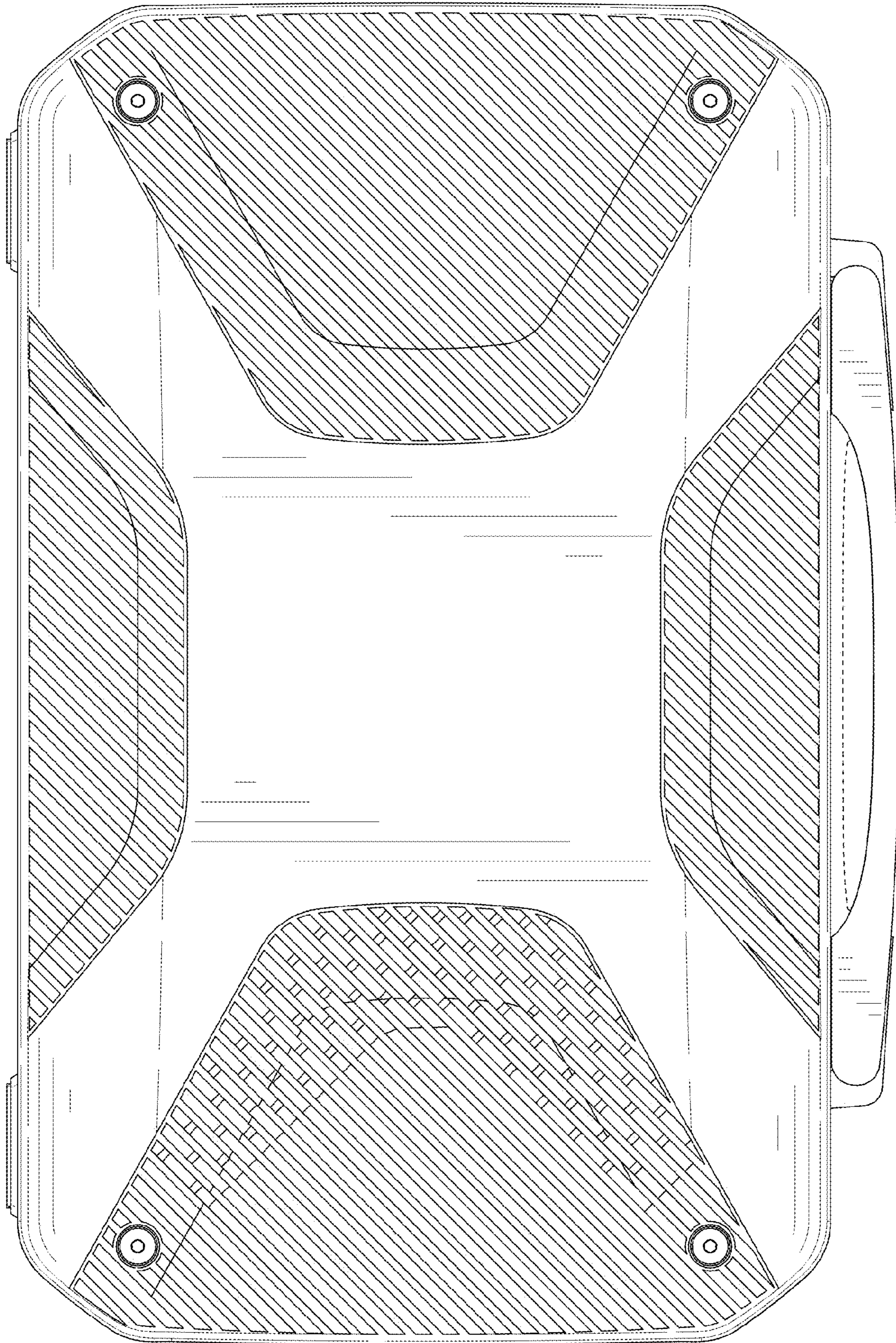


FIG. 7

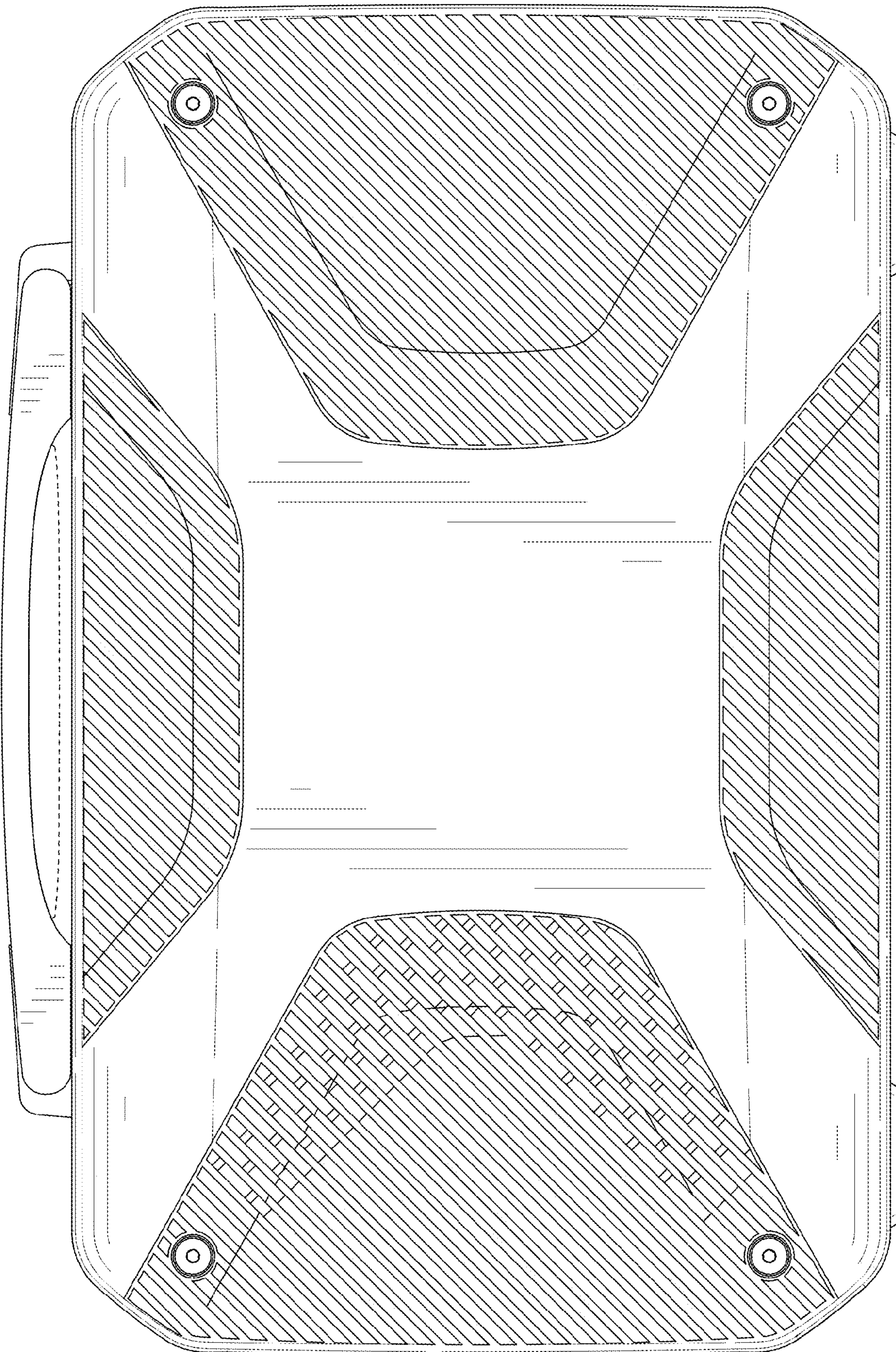


FIG. 8

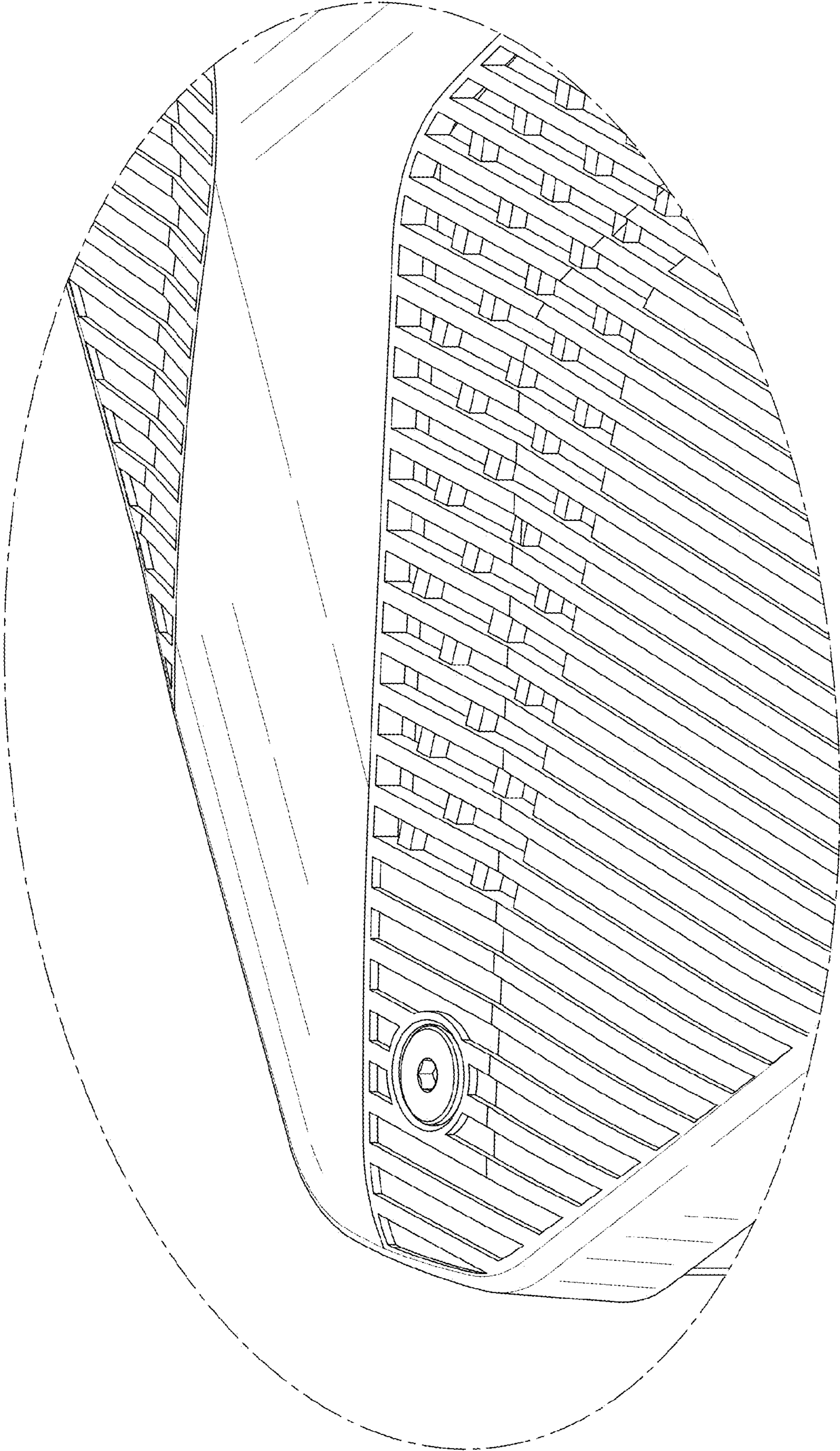


FIG. 9

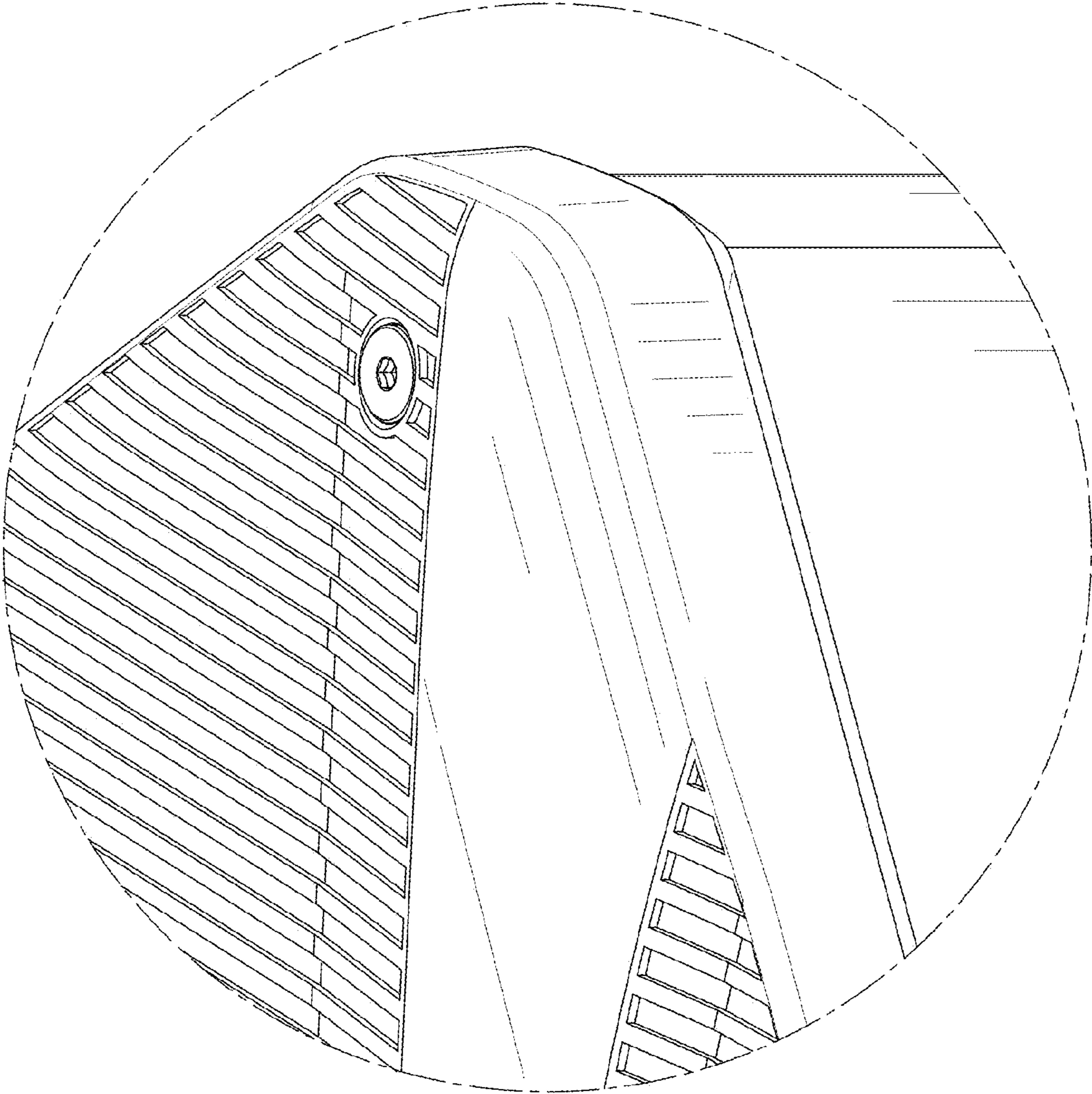


FIG. 10

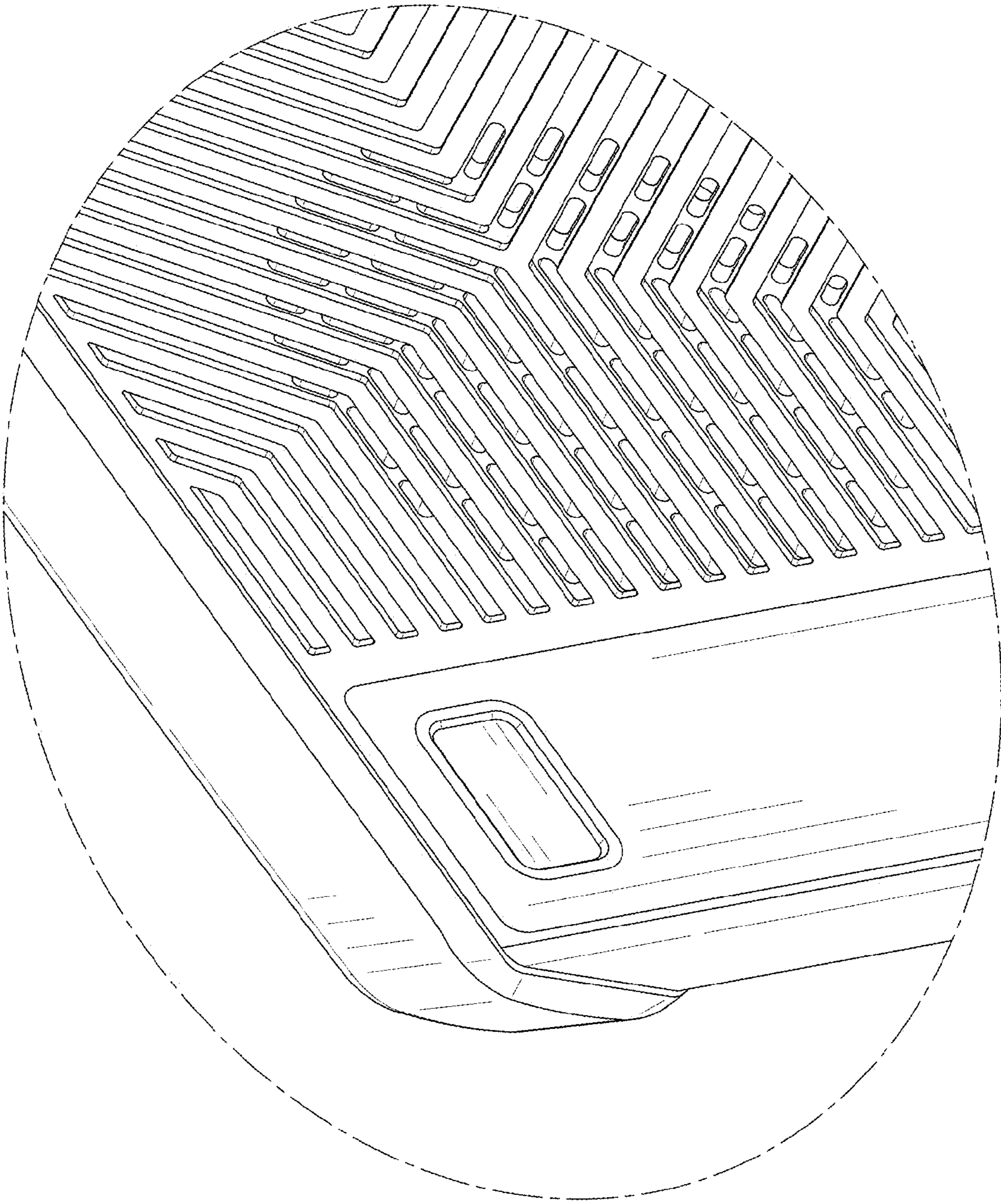


FIG. 11