



US00D987562S

(12) **United States Design Patent**
Liang et al.

(10) **Patent No.:** **US D987,562 S**

(45) **Date of Patent:** **** May 30, 2023**

(54) **POWER BANK**

(71) Applicant: **ZHEJIANG LERA NEW ENERGY
POWER TECHNOLOGY CO., LTD,**
Ningbo (CN)

(72) Inventors: **Jianxin Liang,** Ningbo (CN);
Hengzhao Ke, Ningbo (CN)

(73) Assignee: **ZHEJIANG LERA NEW ENERGY
POWER TECHNOLOGY CO., LTD,**
Ningbo (CN)

(**) Term: **15 Years**

(21) Appl. No.: **29/765,111**

(22) Filed: **Jan. 6, 2021**

(30) **Foreign Application Priority Data**

Jul. 27, 2020 (CN) 202030414082.0
Jul. 28, 2020 (CN) 202030418271.5

(51) **LOC (14) Cl.** **13-02**

(52) **U.S. Cl.**
USPC **D13/108**

(58) **Field of Classification Search**
USPC D13/103, 107, 108, 118, 119, 183;
D14/240, 251, 253, 432, 433, 434, 439,
D14/447
CPC H04B 1/3877; H02J 7/00047; H02J 50/05
See application file for complete search history.

(56) **References Cited**

U.S. PATENT DOCUMENTS

D358,126 S * 5/1995 Sakuma D13/103
D363,055 S * 10/1995 Kobayashi D13/103
D403,657 S * 1/1999 Nuovo D13/103
6,430,299 B1 * 8/2002 Hall H01M 50/202
381/370
D480,048 S * 9/2003 Jigamian D13/103

6,722,917 B2 * 4/2004 Huang H01R 25/003
439/502
D538,222 S * 3/2007 Curello D13/103
D571,289 S * 6/2008 Michaeli D13/103
D581,866 S * 12/2008 Choi D13/103
D659,638 S * 5/2012 Wang D13/108
D664,146 S * 7/2012 Hoehn D14/433
D665,346 S * 8/2012 Kumagai D13/108
D749,509 S * 2/2016 Blau D13/108
D777,102 S * 1/2017 Zeine D13/108

(Continued)

OTHER PUBLICATIONS

“Ilavero Mini Power bank”. Found online Nov. 1, 2022 at
regalospublicitarios.com. Reference dated Jan. 9, 2019. Retrieved
from [https://tineye.com/search/
cef2e3a0c612e31a5e40ca37d8989cdc241c2f0f?sort=crawl_date
&order=asc&page=1](https://tineye.com/search/cef2e3a0c612e31a5e40ca37d8989cdc241c2f0f?sort=crawl_date&order=asc&page=1). (Year: 2019).*

(Continued)

Primary Examiner — Kendra Leslie Hamilton

Assistant Examiner — Amanda Christensen

(74) *Attorney, Agent, or Firm* — Bayramoglu Law Offices
LLC

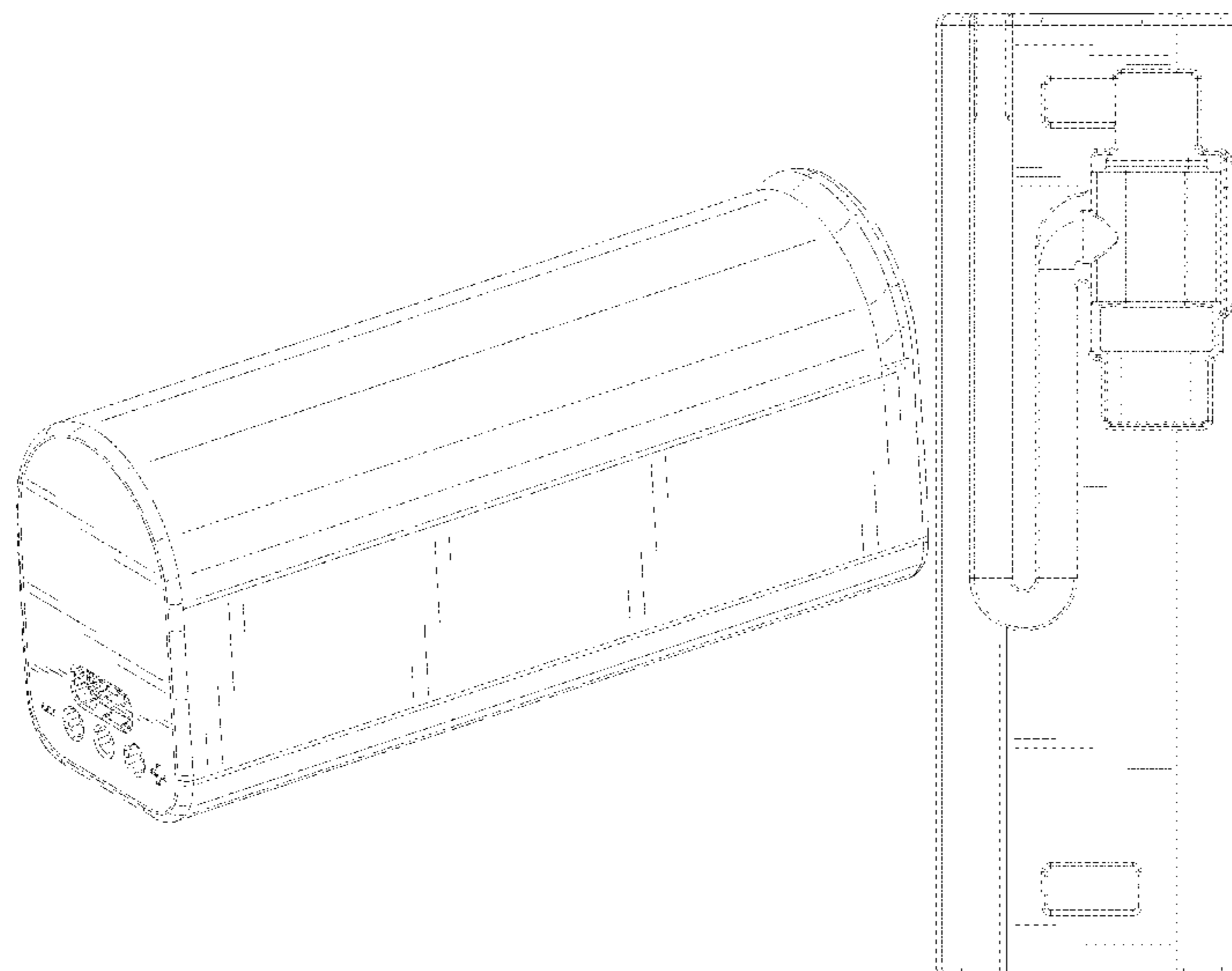
(57) **CLAIM**

The ornamental design for a power bank, as shown and
described.

DESCRIPTION

FIG. 1 is a bottom, front, right perspective view of a power
bank showing our new design;
FIG. 2 is a front view thereof;
FIG. 3 is a rear view thereof;
FIG. 4 is a left side view thereof;
FIG. 5 is a right side thereof;
FIG. 6 is a top view thereof; and,
FIG. 7 is a bottom view thereof.
The broken lines in the drawings depict portions of the
power bank that form no part of the claimed design.

1 Claim, 7 Drawing Sheets



(56)

References Cited

U.S. PATENT DOCUMENTS

D778,828 S * 2/2017 Morgan D13/108
9,780,580 B1 * 10/2017 Drzymala G06K 7/10821
D841,010 S * 2/2019 Kong D14/435.1
D975,011 S * 1/2023 Liang D13/103
2003/0225954 A1 * 12/2003 Wu G06F 11/325
710/305
2011/0039143 A1 * 2/2011 Bacon H01M 50/543
429/100
2016/0294133 A1 * 10/2016 Xie H01R 13/70

OTHER PUBLICATIONS

“Spyshop Power Bank”. Found online Nov. 1, 2022 at amazon.de. Reference dated Oct. 19, 2017. Retrieved from <https://www.amazon.de/-/en/Hidden-Listening-Recording-Months-Battery/dp/B076M5WGDM> (Year: 2017).*

“MyCharge Portable Charger”. Found online Nov. 1, 2022 at amazon.com. Reference dated Nov. 18, 2019. Retrieved from <https://www.amazon.com/myCharge-Portable-Lightning-Universal-Lightweight/dp/B081LL2PX3?th=1>. (Year: 2019).*

* cited by examiner

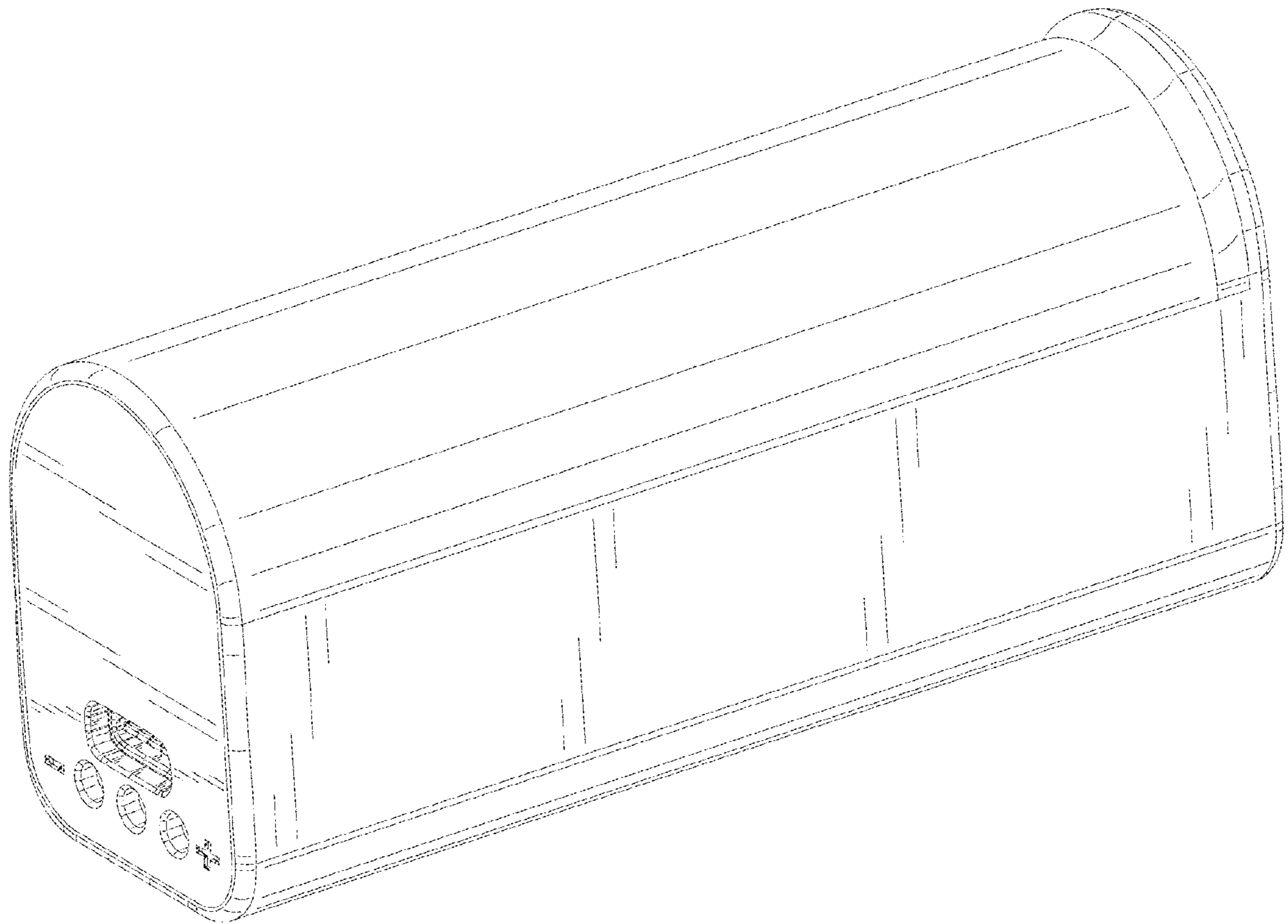


FIG. 1

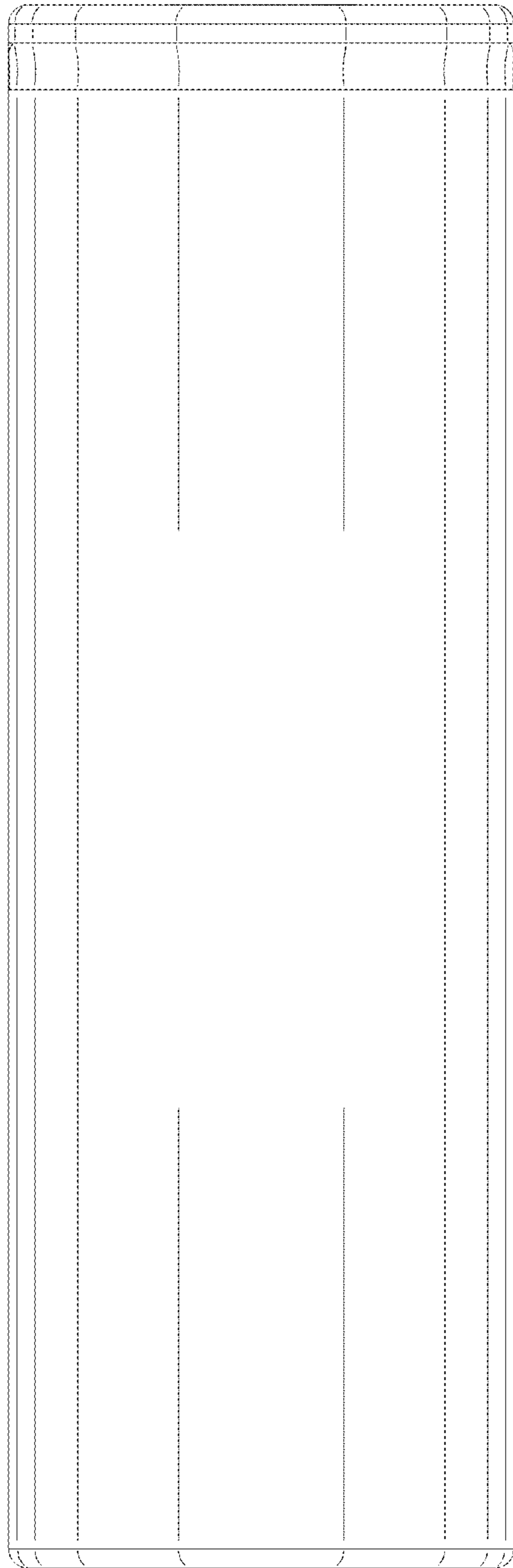


FIG. 2

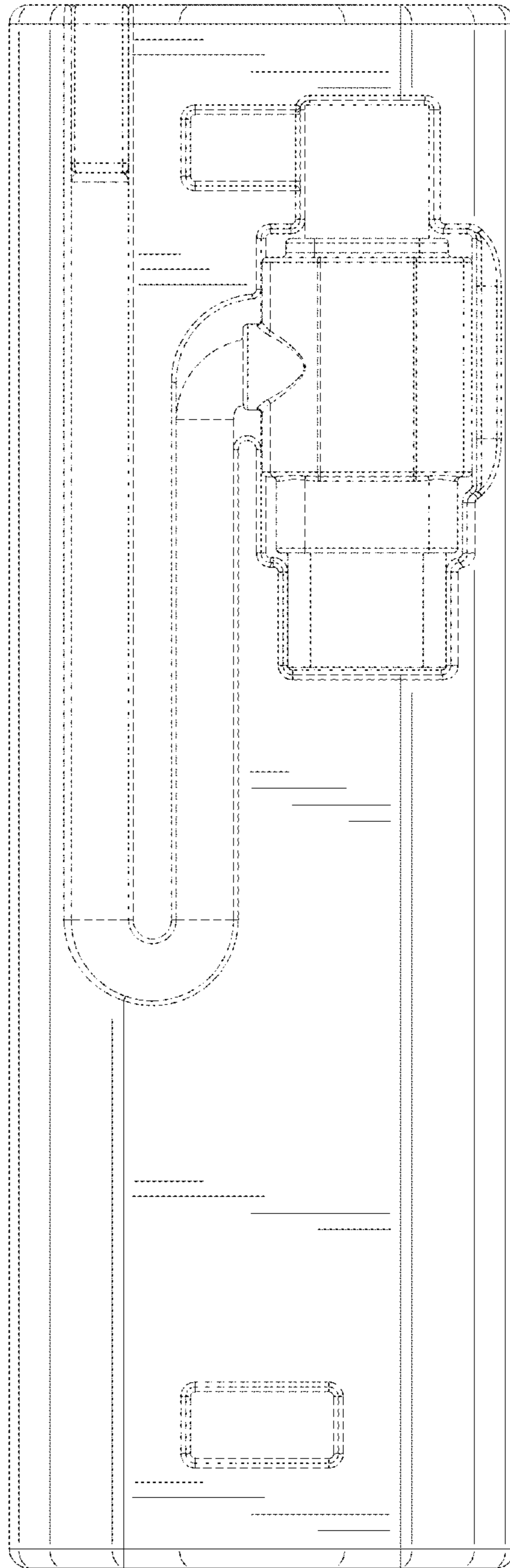


FIG. 3

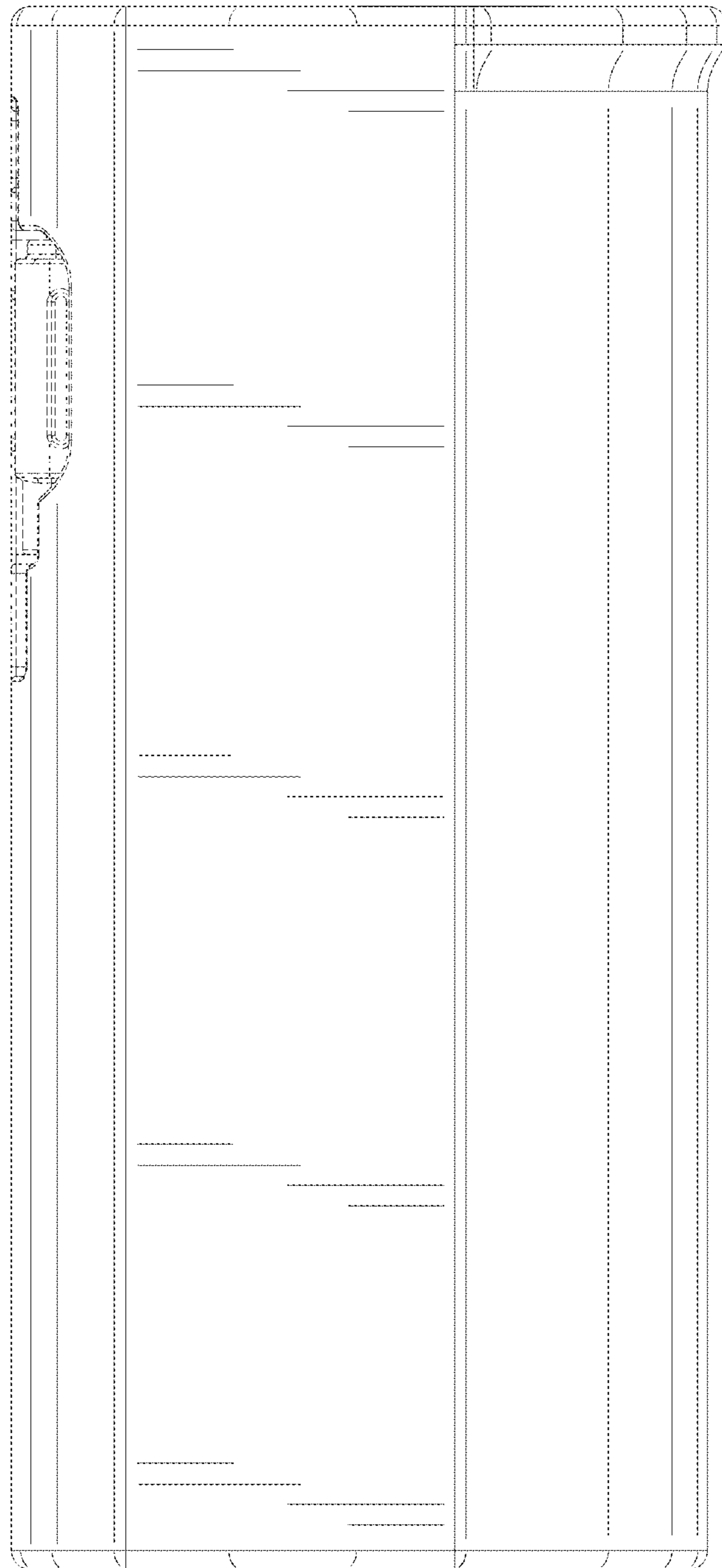


FIG. 4

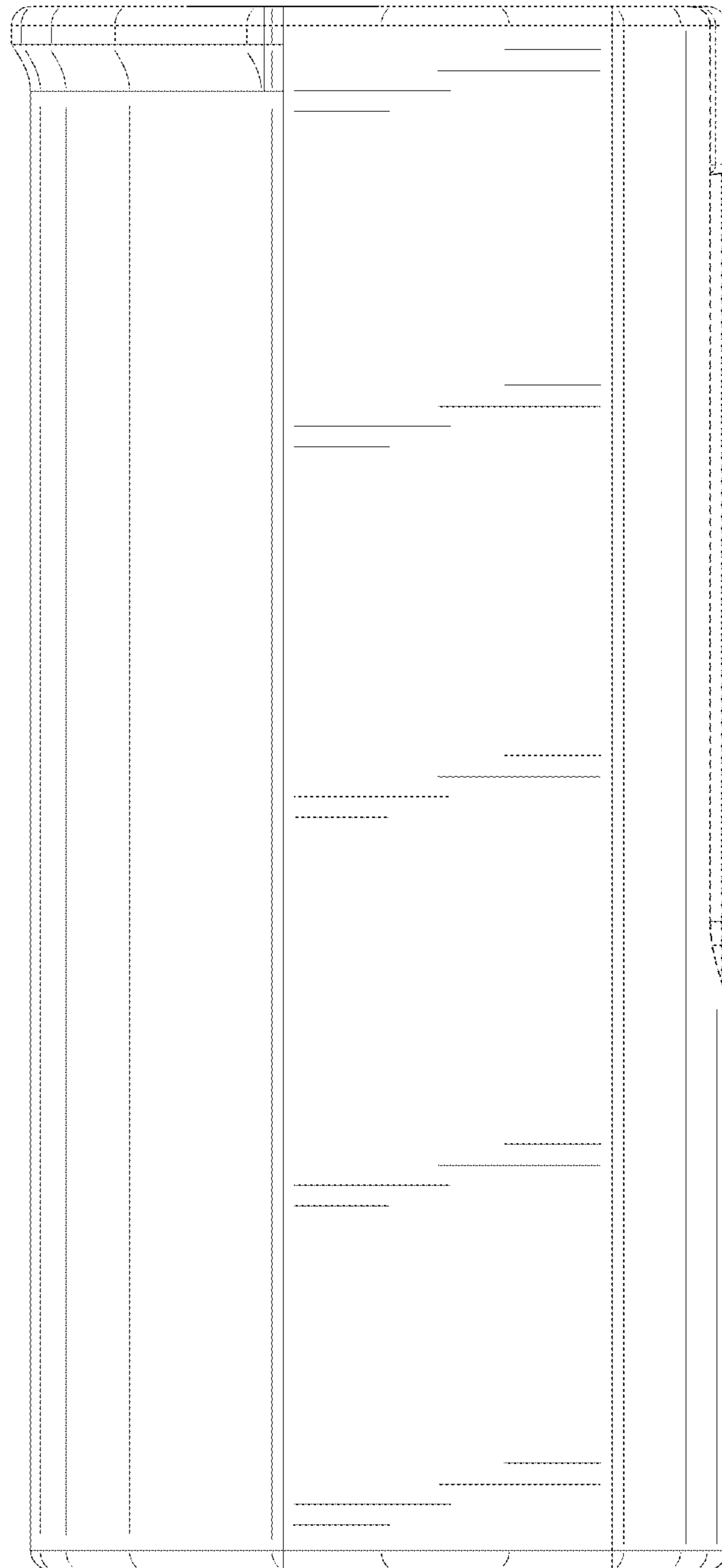


FIG. 5

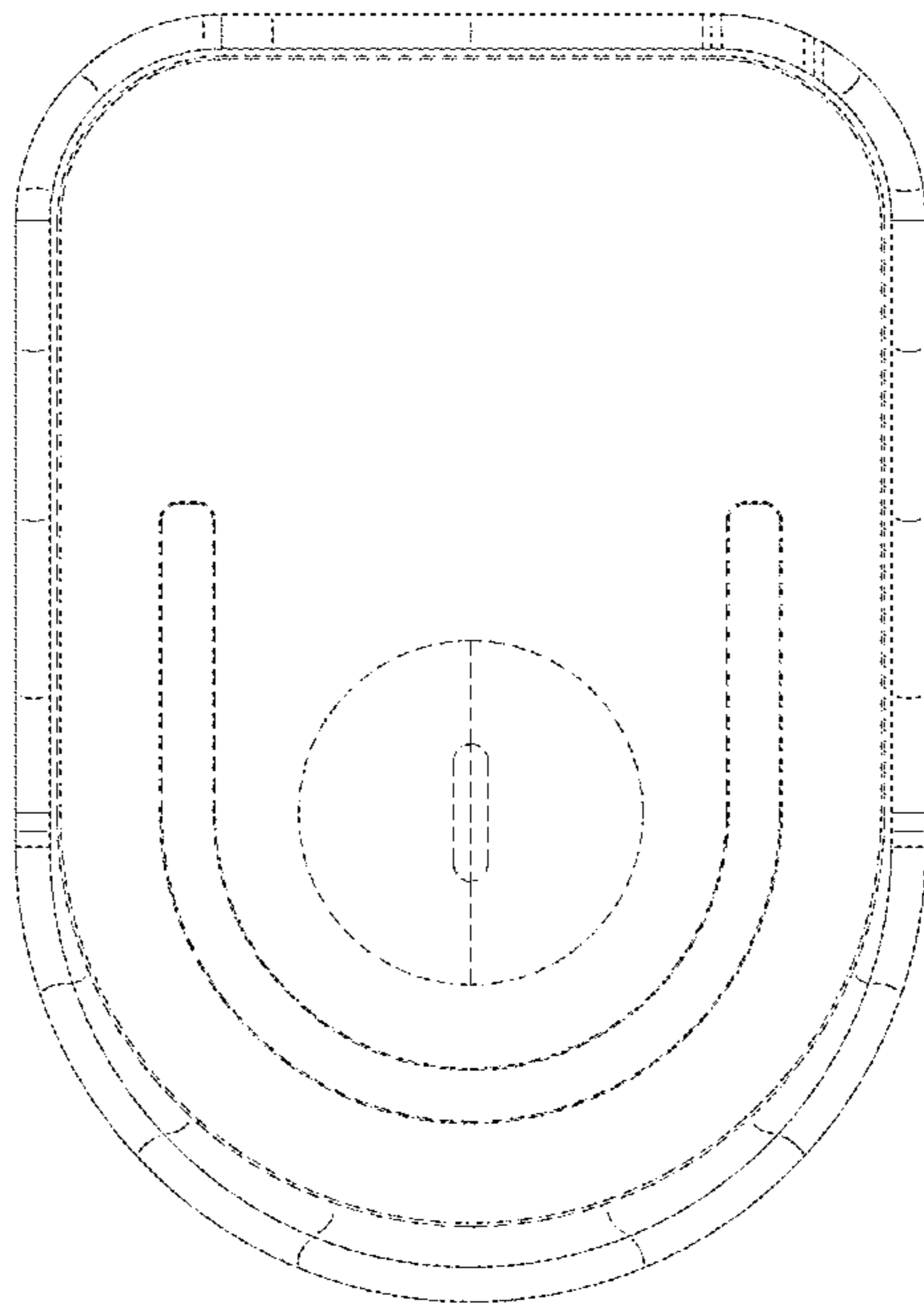


FIG. 6

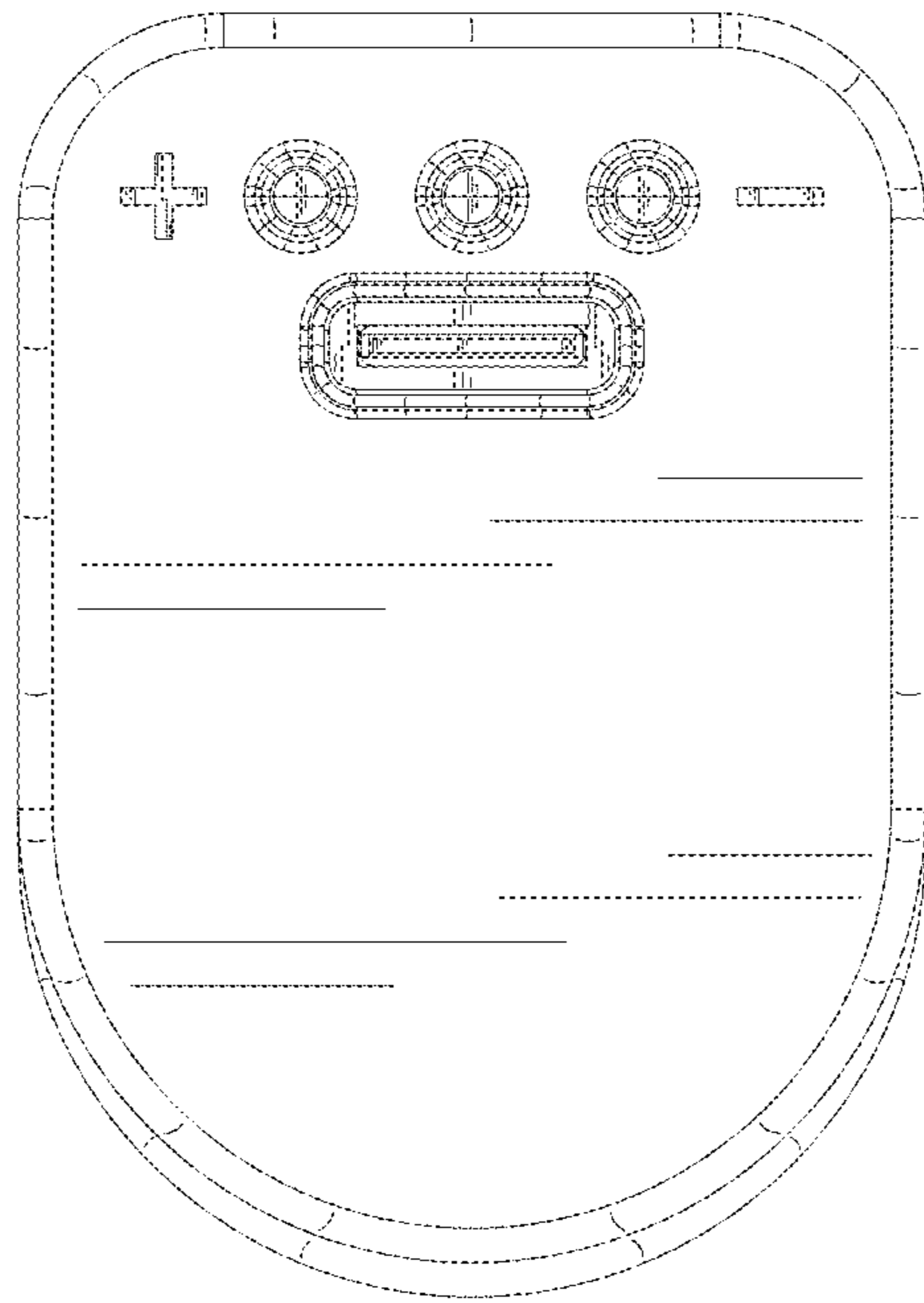


FIG. 7