



US00D987557S

(12) **United States Design Patent** (10) **Patent No.:** **US D987,557 S**
Choi et al. (45) **Date of Patent:** **** May 30, 2023**

(54) **BATTERY PACK**

(56) **References Cited**

(71) Applicant: **LG Chem, Ltd.**, Seoul (KR)

U.S. PATENT DOCUMENTS

(72) Inventors: **Yeo-Joo Choi**, Daejeon (KR);
Bum-Hyun Lee, Daejeon (KR); **Jae-Ki Lee**, Daejeon (KR); **Jae-Bum Lim**, Daejeon (KR); **Gyeong-Su Jeong**, Daejeon (KR); **Seok-Hyun Hong**, Daejeon (KR)

D602,859	S	*	10/2009	Kaiser	D13/101
D606,937	S	*	12/2009	Brookshire	D13/110
D768,073	S	*	10/2016	Kim	D13/103
D826,145	S	*	8/2018	Kim	D13/103
D826,147	S	*	8/2018	Kim	D13/103
10,411,230	B2	*	9/2019	Gang	H01M 50/20
10,439,176	B2	*	10/2019	Choi	H01M 50/204
D878,288	S	*	3/2020	Choi	D13/103
D884,597	S	*	5/2020	Pilliod	D13/103
10,673,036	B2	*	6/2020	Kim	H01M 50/20
10,784,478	B2	*	9/2020	Lee	H01M 50/20
D913,296	S	*	3/2021	Pilliod	D14/444
D915,281	S	*	4/2021	Pilliod	D13/119
2018/0076427	A1	*	3/2018	Choi	H01M 10/425

(73) Assignee: **LG Energy Solution, Ltd.**

(**) Term: **15 Years**

* cited by examiner

(21) Appl. No.: **29/775,766**

Primary Examiner — Nathaniel D. Buckner

(22) Filed: **Mar. 25, 2021**

(74) *Attorney, Agent, or Firm* — Lerner David LLP

(30) **Foreign Application Priority Data**

(57) **CLAIM**

Jan. 4, 2021 (KR) 30-2021-0000214

The ornamental design for a battery pack, as shown and described.

(51) **LOC (14) Cl.** **13-02**

DESCRIPTION

(52) **U.S. Cl.**

USPC **D13/103**

(58) **Field of Classification Search**

USPC D13/102-106, 110, 118-119, 184

CPC . Y02E 60/10; H01M 2220/30; H01M 50/209;

H01M 50/213; H01M 50/183; H01M

50/10; H01M 50/529; H01M 50/531;

H01M 10/0525; H01M 10/0436; H01M

10/052; H01M 10/0565; H01M 10/30;

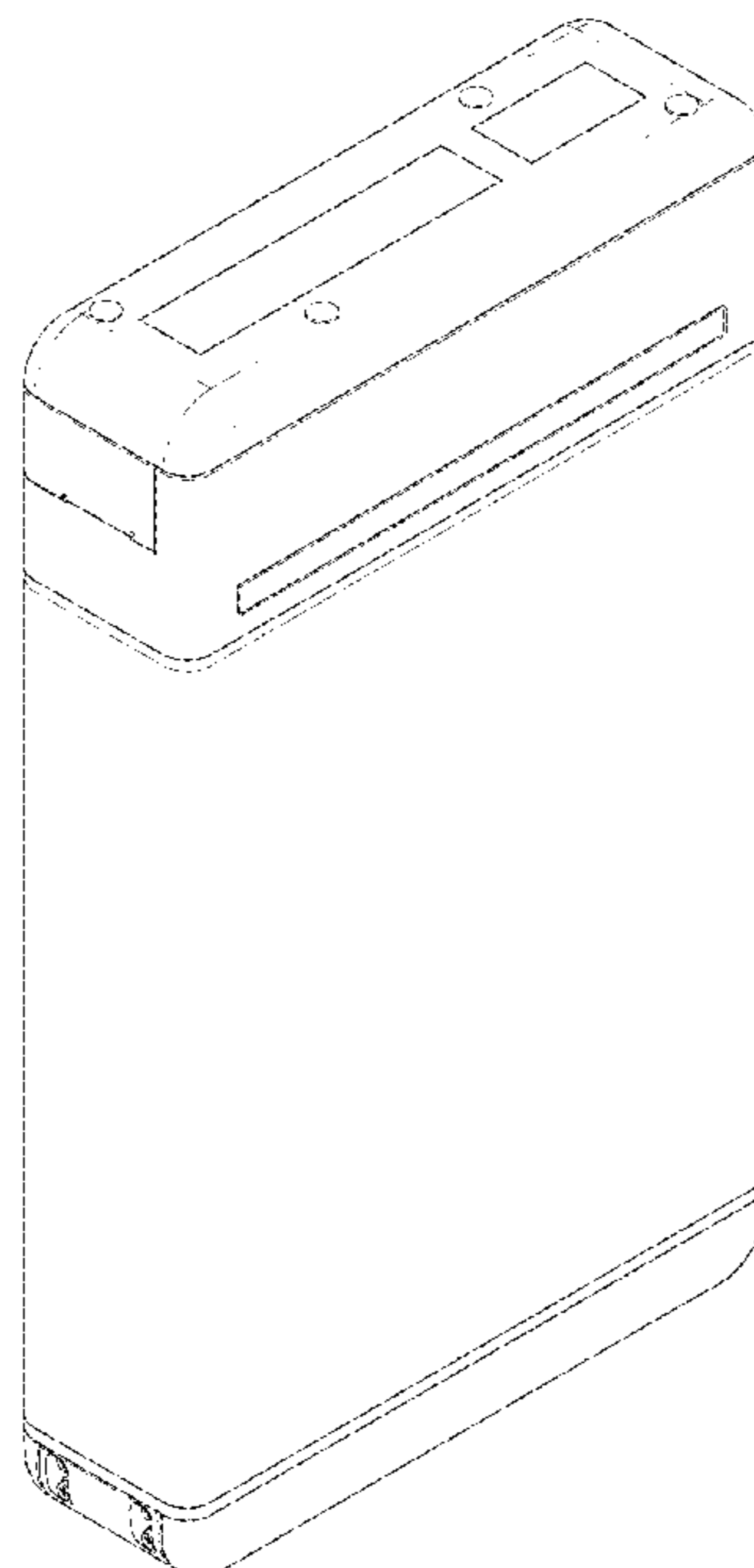
H01M 10/345; H01M 10/425; H01M

2010/0495; B25F 5/02; B25F 5/00; A61B

2017/00734

See application file for complete search history.

1 Claim, 7 Drawing Sheets



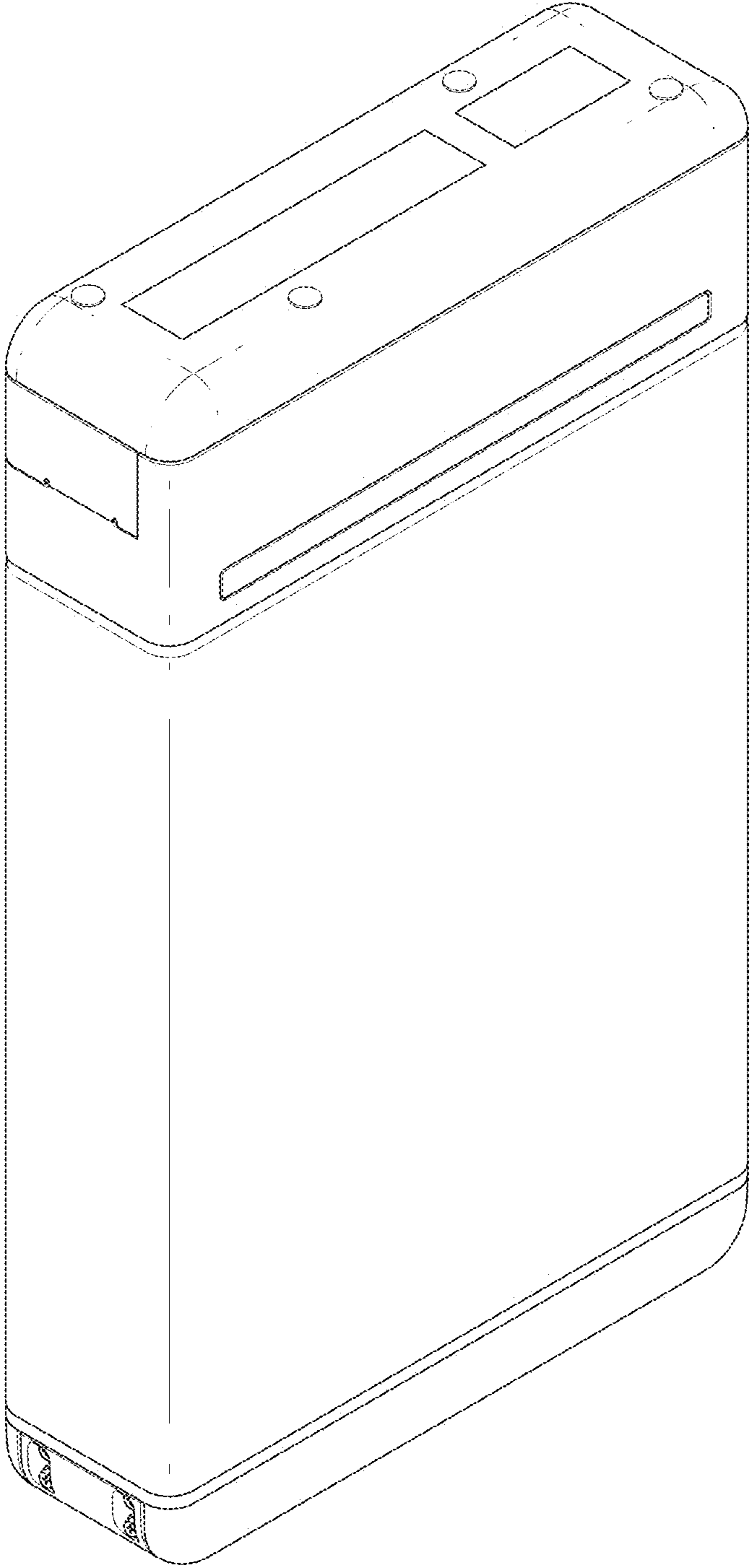


FIG. 1

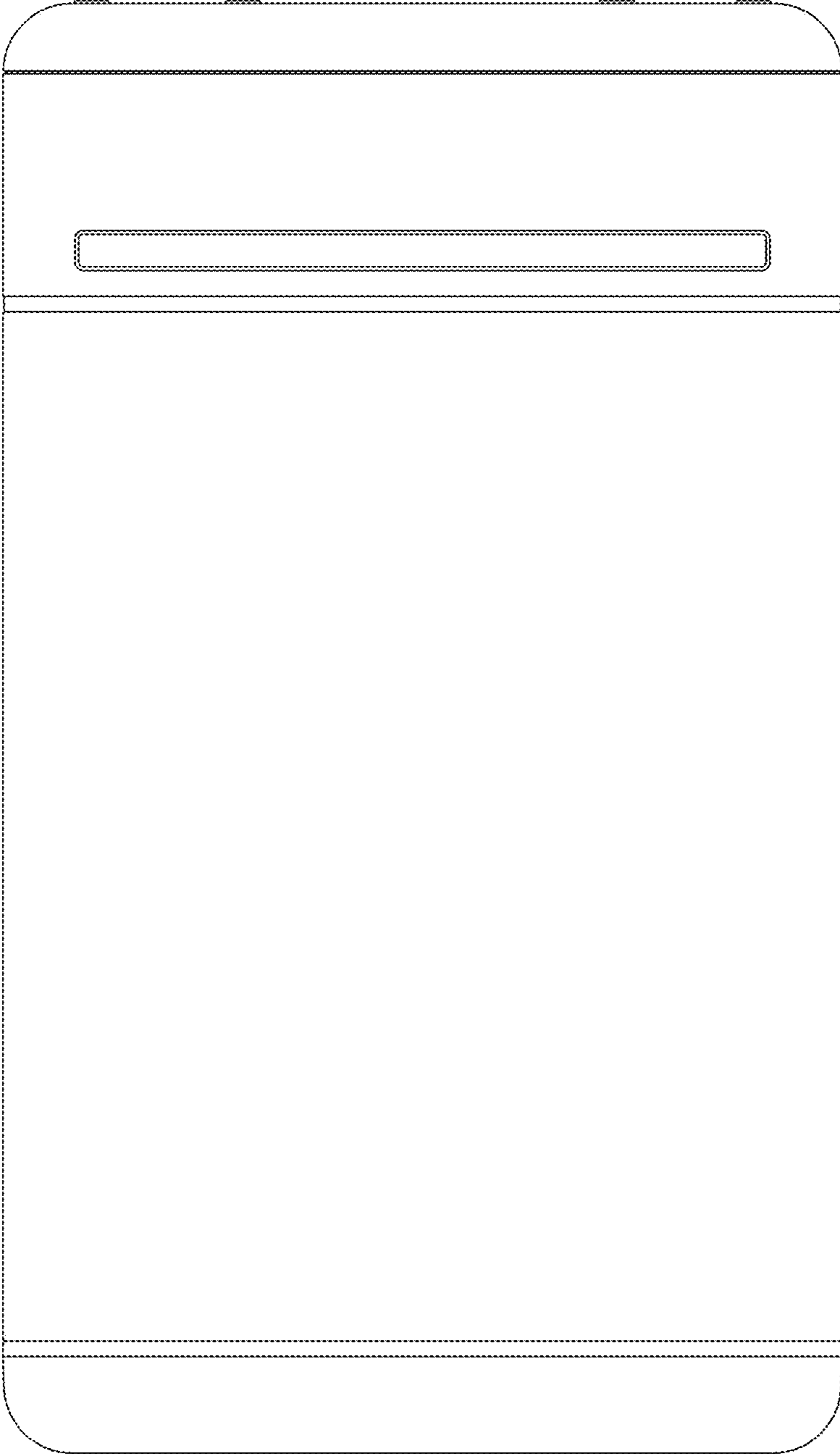


FIG. 2

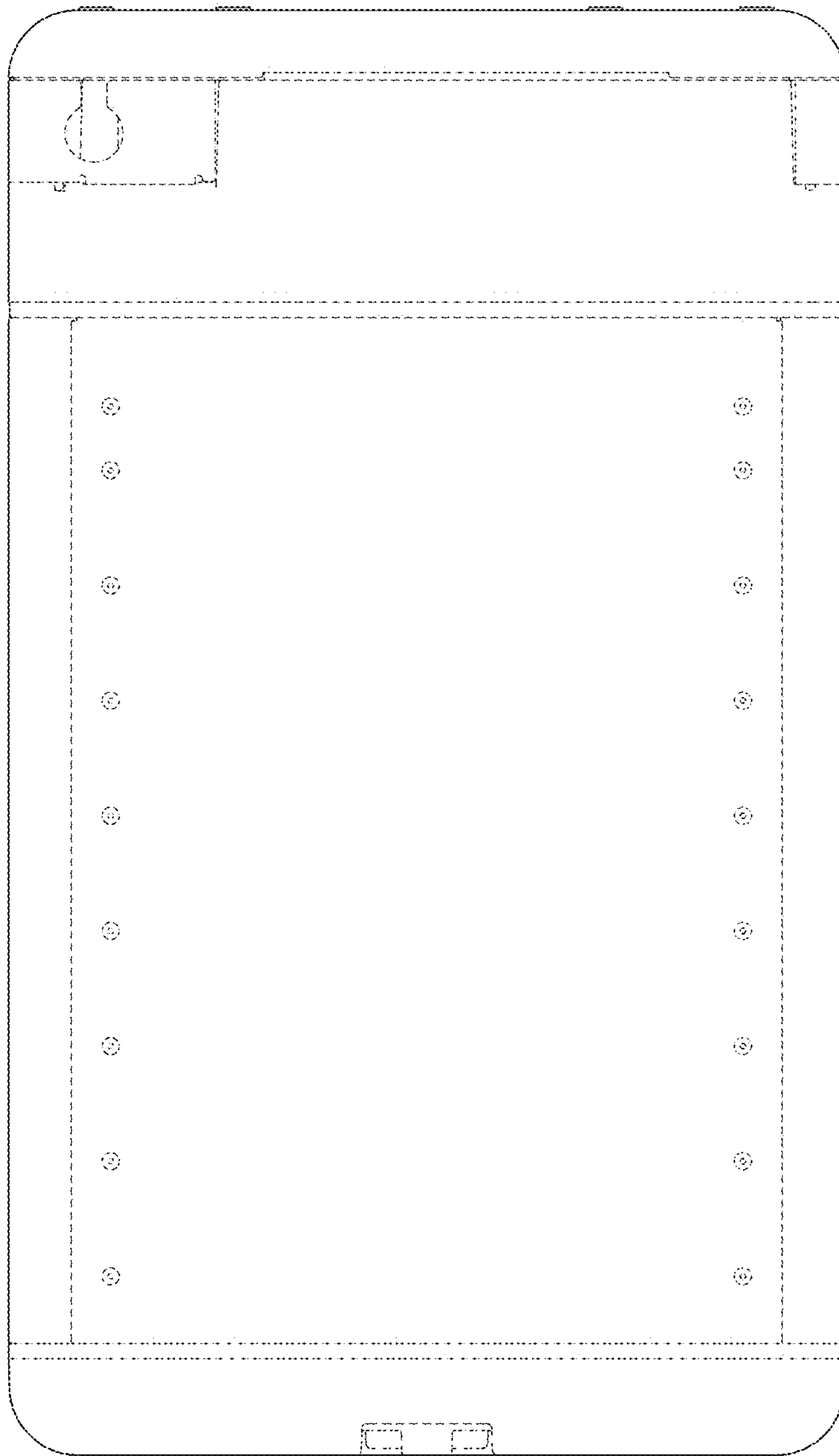


FIG. 3

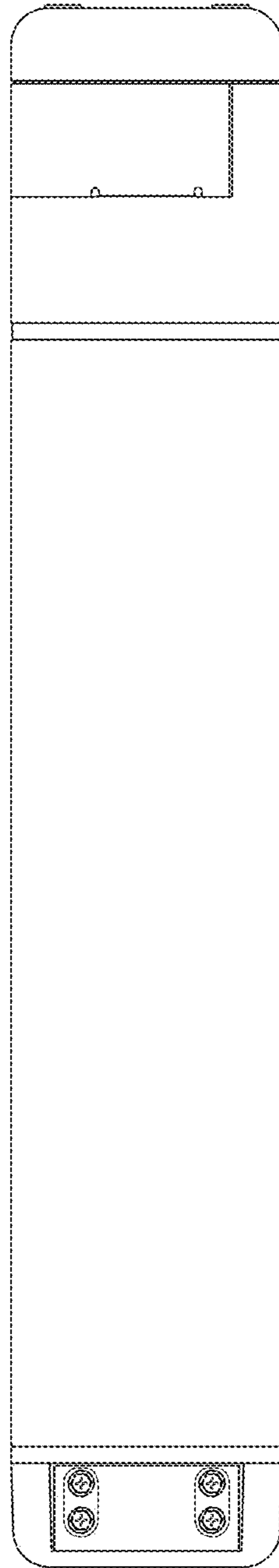


FIG. 4

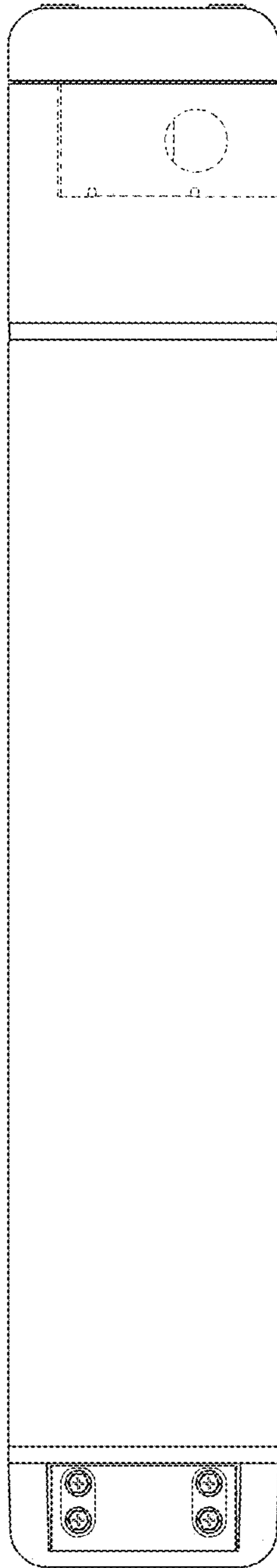


FIG. 5

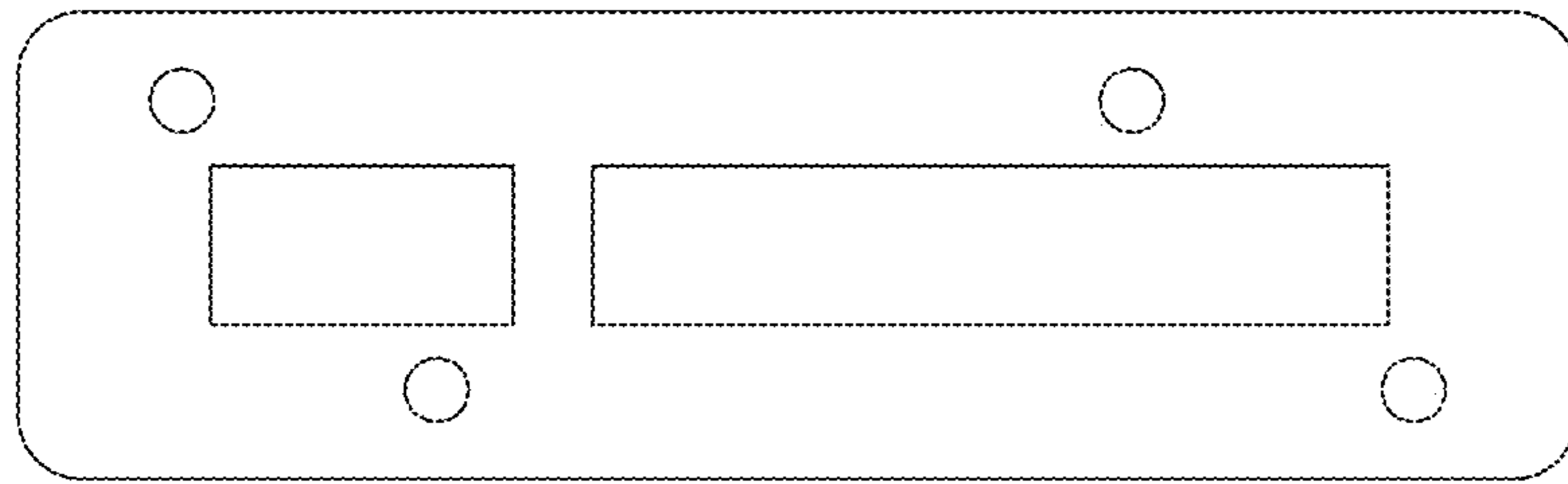


FIG. 6

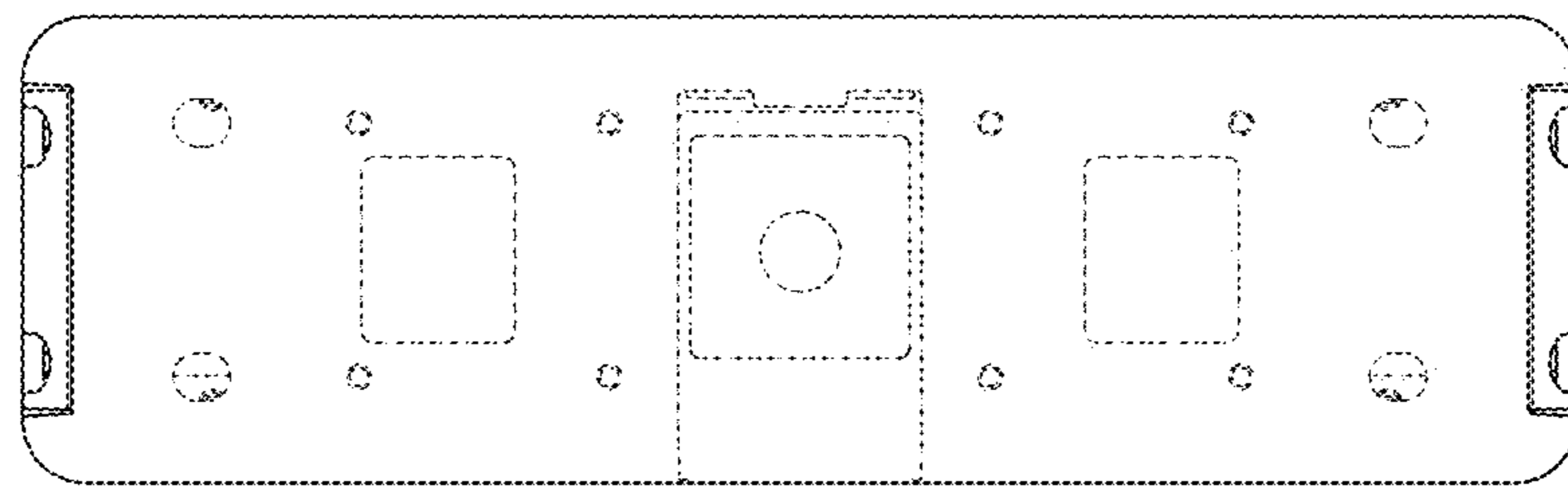


FIG. 7