



US00D987555S

(12) **United States Design Patent**
Spangler

(10) **Patent No.:** **US D987,555 S**

(45) **Date of Patent:** **** May 30, 2023**

(54) **BATTERY PACK**

(71) Applicant: **Nanjing Chervon Industry Co., Ltd.**,
Nanjing (CN)

(72) Inventor: **Ernest Spangler**, Mooresville, NC (US)

(73) Assignee: **Nanjing Chervon Industry Co., Ltd.**,
Nanjing (CN)

(**) Term: **15 Years**

(21) Appl. No.: **29/734,492**

(22) Filed: **May 13, 2020**

(30) **Foreign Application Priority Data**

Nov. 13, 2019 (CN) 201930623709.0

(51) **LOC (14) Cl.** **13-02**

(52) **U.S. Cl.**
USPC **D13/103**

(58) **Field of Classification Search**
USPC D13/102-110, 118, 119, 153, 154, 184,
D13/199

CPC Y02E 60/10; Y02E 60/12; Y02E 60/122;
Y02E 60/124; Y02E 60/50; H01M 2/02;
H01M 2/022; H01M 2/0202; H01M
2/0207; H01M 2/0212; H01M 2/1061;
H01M 2/1022; H01M 2/1055; H01M
2/1066; H01M 2/105; H01M 2/20; H01M
2/202; H01M 2/204; H01M 2/206; H01M
2200/30; H01M 2250/30; H01M 2250/40;
H01M 10/44; H01M 10/46; H01M
10/465; H01M 10/482; H01M 10/4257;
H01M 10/0436; H01M 10/48; H01M
10/6235; H02J 7/0034; H02J 7/0054;
H02J 7/1423; H02J 7/00; H02J 7/0003;
H02J 7/0011; H02J 7/0013; H02J 7/0055;
H02J 7/0057; Y02T 10/7005; Y02T
10/705; Y02T 10/7088

See application file for complete search history.

(56) **References Cited**

U.S. PATENT DOCUMENTS

D481,672 S *	11/2003	Niwa	D13/103
D504,394 S *	4/2005	Cheung	D13/103
D530,270 S *	10/2006	Ozawa	D13/103
D544,436 S *	6/2007	Kawahara	D13/103
D553,562 S *	10/2007	Okada	D13/103
D555,086 S *	11/2007	Zhang	D13/103
D568,239 S *	5/2008	Okada	D13/103
D579,868 S *	11/2008	Harrison	D13/103
D588,986 S *	3/2009	Zhang	D13/110
D589,439 S *	3/2009	Van Wambeke	D13/103
D589,440 S *	3/2009	Van Wambeke	D13/103
D589,441 S *	3/2009	Van Wambeke	D13/103
D593,944 S *	6/2009	Smith	D13/119
D597,933 S *	8/2009	Aglassinger	D13/103
D597,934 S *	8/2009	Aglassinger	D13/103
D597,935 S *	8/2009	Aglassinger	D13/103
D598,373 S *	8/2009	Aglassinger	D13/103
D604,695 S *	11/2009	Aglassinger	D13/103

(Continued)

Primary Examiner — Christy Nemeth

(74) *Attorney, Agent, or Firm* — Greenberg Traurig, LLP

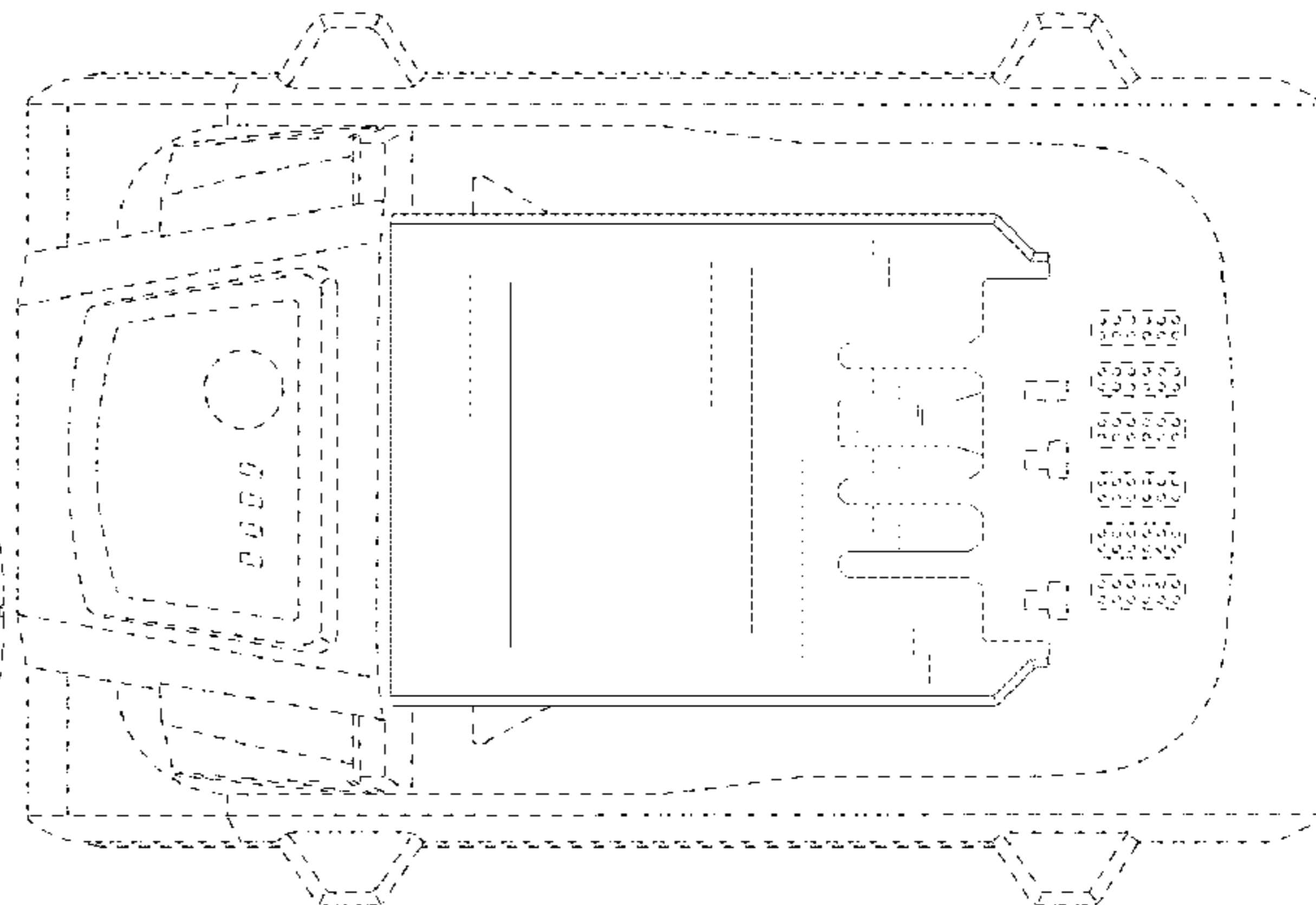
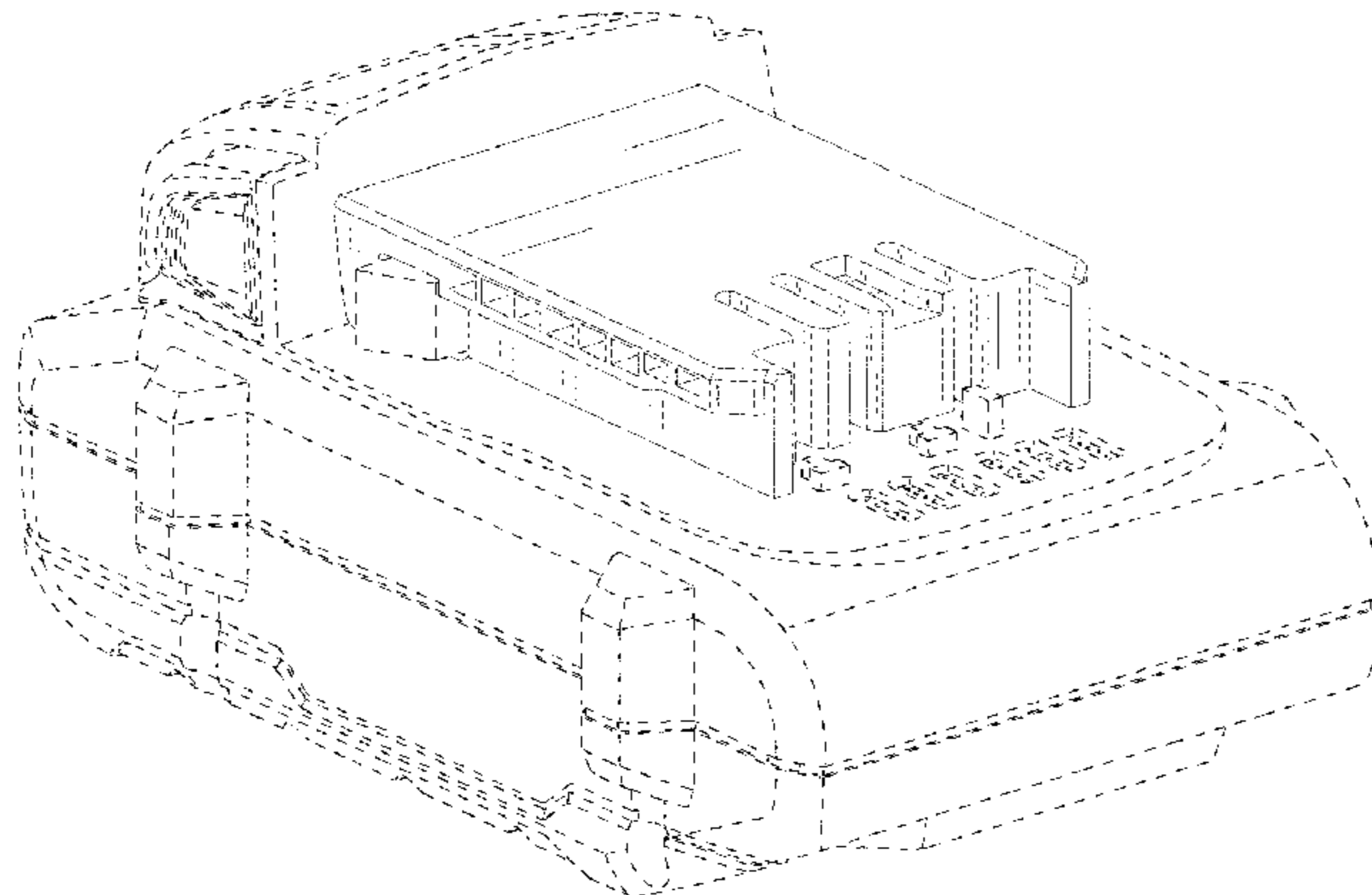
(57) **CLAIM**

The ornamental design for a battery pack, as shown and described.

DESCRIPTION

FIG. 1 is a perspective view of a battery back showing my new design;
FIG. 2 is a right side elevational view thereof;
FIG. 3 is a left side elevational view thereof;
FIG. 4 is a rear elevational view thereof;
FIG. 5 is a front elevational view thereof;
FIG. 6 is a top plan view thereof; and,
FIG. 7 is a bottom plan view thereof.
The broken lines in the drawings illustrate portions of the battery pack that form no part of the claimed design.

1 Claim, 7 Drawing Sheets



(56)

References Cited

U.S. PATENT DOCUMENTS

D606,935	S	*	12/2009	Murayama	D13/103
D622,661	S	*	8/2010	Yamada	D13/103
D633,036	S	*	2/2011	Murray	D13/103
D639,730	S	*	6/2011	Kawase	D13/103
D640,190	S	*	6/2011	Aglassinger	D13/103
D640,196	S	*	6/2011	Shuang	D13/103
D640,197	S	*	6/2011	Park	D13/103
D640,628	S	*	6/2011	Lopano	D13/103
D640,975	S	*	7/2011	Okuda	D13/103
D643,809	S	*	8/2011	Okuda	D13/103
D658,578	S	*	5/2012	Davis	D13/103
D668,219	S	*	10/2012	Zhao	D13/107
D680,064	S	*	4/2013	Tirone	D13/103
D682,192	S	*	5/2013	Corbin	D13/103
D682,193	S	*	5/2013	Corbin	D13/103
D682,194	S	*	5/2013	Jiang	D13/103
D684,528	S	*	6/2013	Murray	D13/103
D685,730	S	*	7/2013	Hamm	D13/103
D692,380	S	*	10/2013	Tirone	D13/119
D699,180	S	*	2/2014	Sweere	D13/103
D710,794	S	*	8/2014	Busschaert	D13/103
D712,826	S	*	9/2014	Marino	D13/103
D718,705	S	*	12/2014	Naksen	D13/103
D770,377	S	*	11/2016	Kondo	D13/103
D780,686	S	*	3/2017	Glasow	D13/103
D780,687	S	*	3/2017	Taniguchi	D13/103
D780,688	S	*	3/2017	Elder	D13/103
D785,562	S	*	5/2017	Cooper	D13/103
D797,661	S	*	9/2017	Elder	D13/103
D800,650	S	*	10/2017	Itoh	D13/103
D800,656	S	*	10/2017	Marino	D13/119
D801,917	S	*	11/2017	Jiang	D13/103
D801,919	S	*	11/2017	Elder	D13/103
D803,777	S	*	11/2017	Burchard	D13/103
D812,555	S	*	3/2018	Schoch	D13/103
D818,948	S	*	5/2018	Waldron	D13/103
D819,562	S	*	6/2018	Waldron	D13/103
D826,149	S	*	8/2018	Cooper	D13/103
D826,150	S	*	8/2018	Cayon	D13/103
D844,558	S	*	4/2019	Taniguchi	D13/103
D849,681	S	*	5/2019	Howell	D13/103
D856,921	S	*	8/2019	Lee	D13/103
D858,432	S	*	9/2019	Altenburger	D13/103
D862,382	S	*	10/2019	Altenburger	D13/103
D867,279	S	*	11/2019	Altenburger	D13/103
D876,340	S	*	2/2020	Song	D13/103
D881,119	S	*	4/2020	Elder	D13/103
D884,600	S	*	5/2020	Zhou	D13/103
D884,601	S	*	5/2020	Zhou	D13/103
D887,969	S	*	6/2020	Howell	D13/103
D890,692	S	*	7/2020	Elder	D13/103
D891,363	S	*	7/2020	Roberts	D13/103
D893,411	S	*	8/2020	Roberts	D13/103
D893,413	S	*	8/2020	Grulke	D13/103
D894,118	S	*	8/2020	Liu	D13/103
D894,120	S	*	8/2020	Timm	D13/103
D894,827	S	*	9/2020	Watson	D13/103
D898,662	S	*	10/2020	Waldron	D13/103
D902,147	S	*	11/2020	Stray	D13/103
D909,290	S	*	2/2021	Hasenmayer	D13/103
D911,267	S	*	2/2021	Matteo	D13/103
D911,268	S	*	2/2021	Matteo	D13/103
D911,269	S	*	2/2021	Matteo	D13/103
D911,922	S	*	3/2021	Watson	D13/103
D911,931	S	*	3/2021	Li	D13/103
D919,560	S	*	5/2021	Taniguchi	D13/103
D922,939	S	*	6/2021	Ye	D13/103
D922,940	S	*	6/2021	Ye	D13/103
D924,791	S	*	7/2021	Yrad, Jr.	D13/103
D924,793	S	*	7/2021	Qiu	D13/103
D924,794	S	*	7/2021	Kuang	D13/103
D924,795	S	*	7/2021	Zhong	D13/103
D925,442	S	*	7/2021	Howell	D13/103
D926,674	S	*	8/2021	Willey	D13/103
D929,316	S	*	8/2021	Azuma	D13/103
11,095,136	B2	*	8/2021	Geng	H02J 7/02
D931,199	S	*	9/2021	Gallagher	D13/103
D931,801	S	*	9/2021	Timm	D13/103
11,126,804	B2	*	9/2021	Huggins	H05K 5/0017
D935,996	S	*	11/2021	Okuda	D13/103
D937,760	S	*	12/2021	Chandrasekharan	D13/103
D937,761	S	*	12/2021	Chandrasekharan	D13/103
D940,648	S	*	1/2022	Taylor	D13/103
2016/0072106	A1	*	3/2016	Baumgartner	H02J 7/00 320/113
2016/0240901	A1	*	8/2016	Kondo	H01M 10/6235
2016/0241065	A1	*	8/2016	Kondo	H01M 50/20
2017/0012272	A1	*	1/2017	Naito	H01R 33/765
2018/0069208	A1	*	3/2018	Rejman	H01M 50/24
2018/0198101	A1	*	7/2018	Sheeks	H02J 7/0091
2018/0198292	A1	*	7/2018	Lee	H01M 10/46
2018/0198293	A1	*	7/2018	Osborne	H01M 10/441
2019/0280501	A1	*	9/2019	Kondo	H02J 7/0063
2019/0312242	A1	*	10/2019	Barton	B25F 5/02
2020/0127339	A1	*	4/2020	Nakano	H01M 50/247
2020/0176731	A1	*	6/2020	Taga	H01M 10/482
2020/0227695	A1	*	7/2020	Jones	H01M 10/4257
2020/0321576	A1	*	10/2020	Nagahama	H01M 50/20
2020/0350635	A1	*	11/2020	Counts	H01M 50/54
2020/0395641	A1	*	12/2020	Suzuki	H01M 10/0463
2021/0083237	A1	*	3/2021	Cherry	B25F 5/02
2021/0143506	A1	*	5/2021	Bhuiyan	H01M 50/24
2021/0305661	A1	*	9/2021	Gyoda	H01M 10/486
2021/0328280	A1	*	10/2021	Cruise	H01M 50/284

* cited by examiner

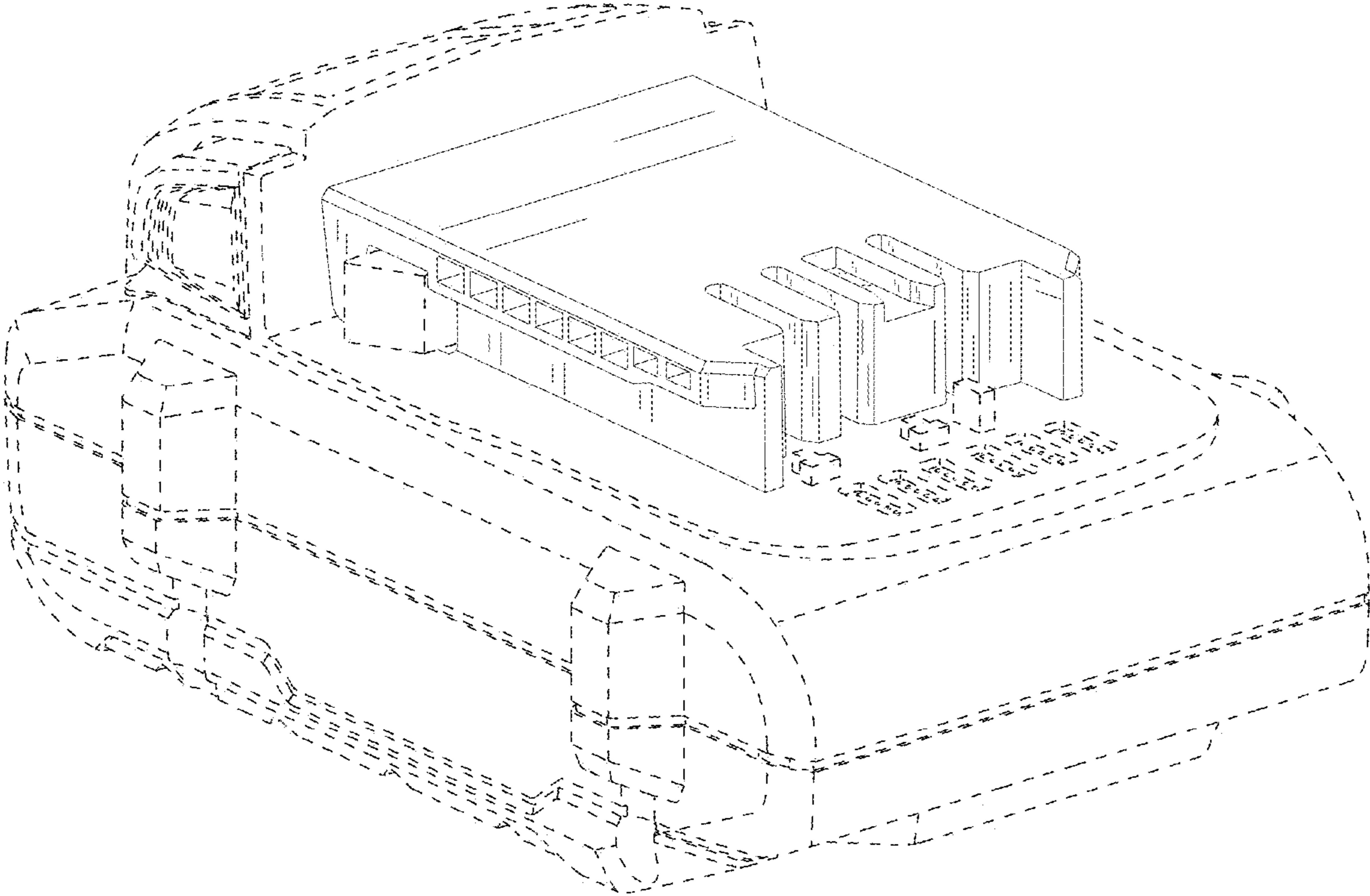


FIG. 1

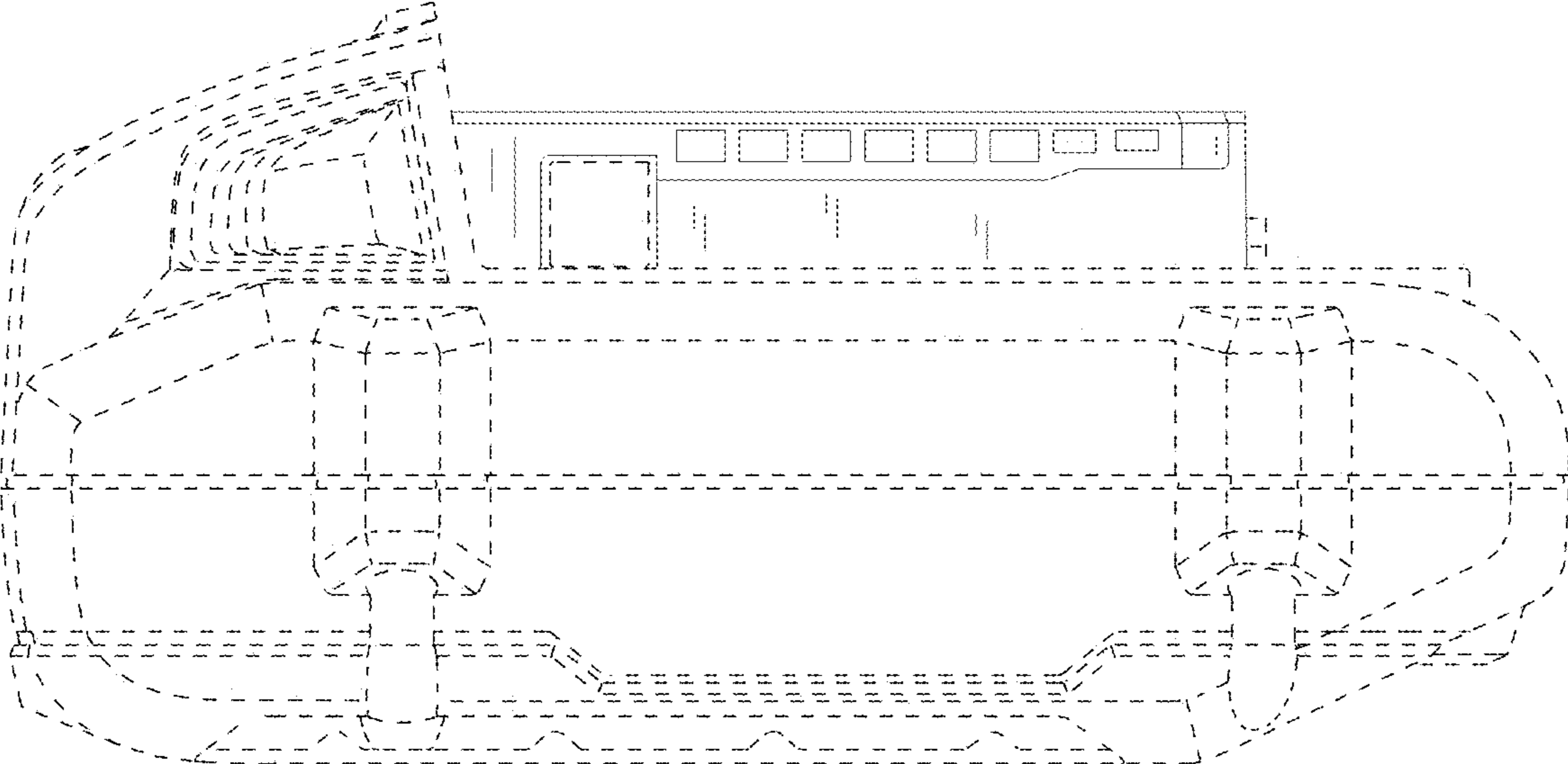


FIG. 2

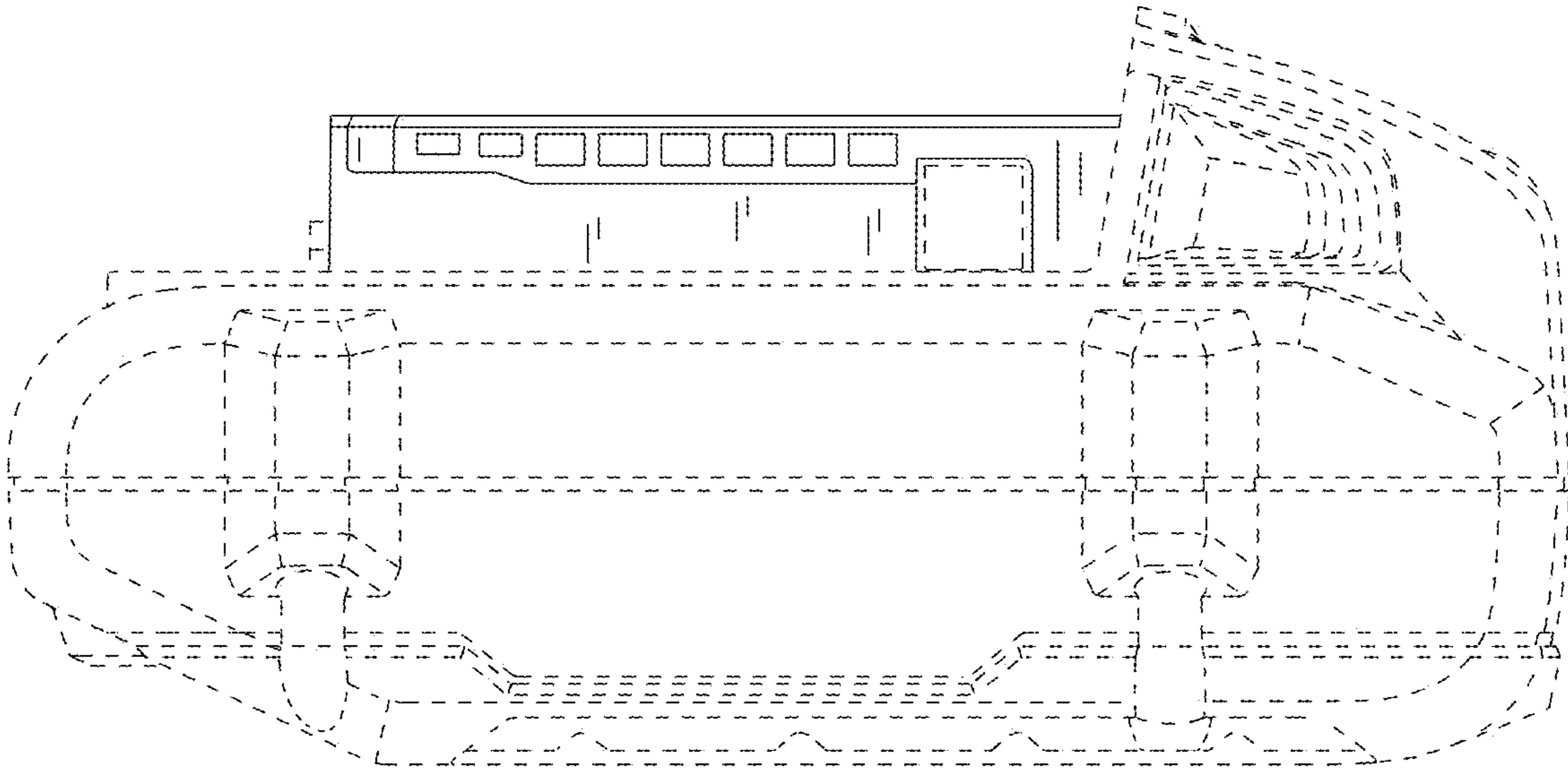


FIG. 3

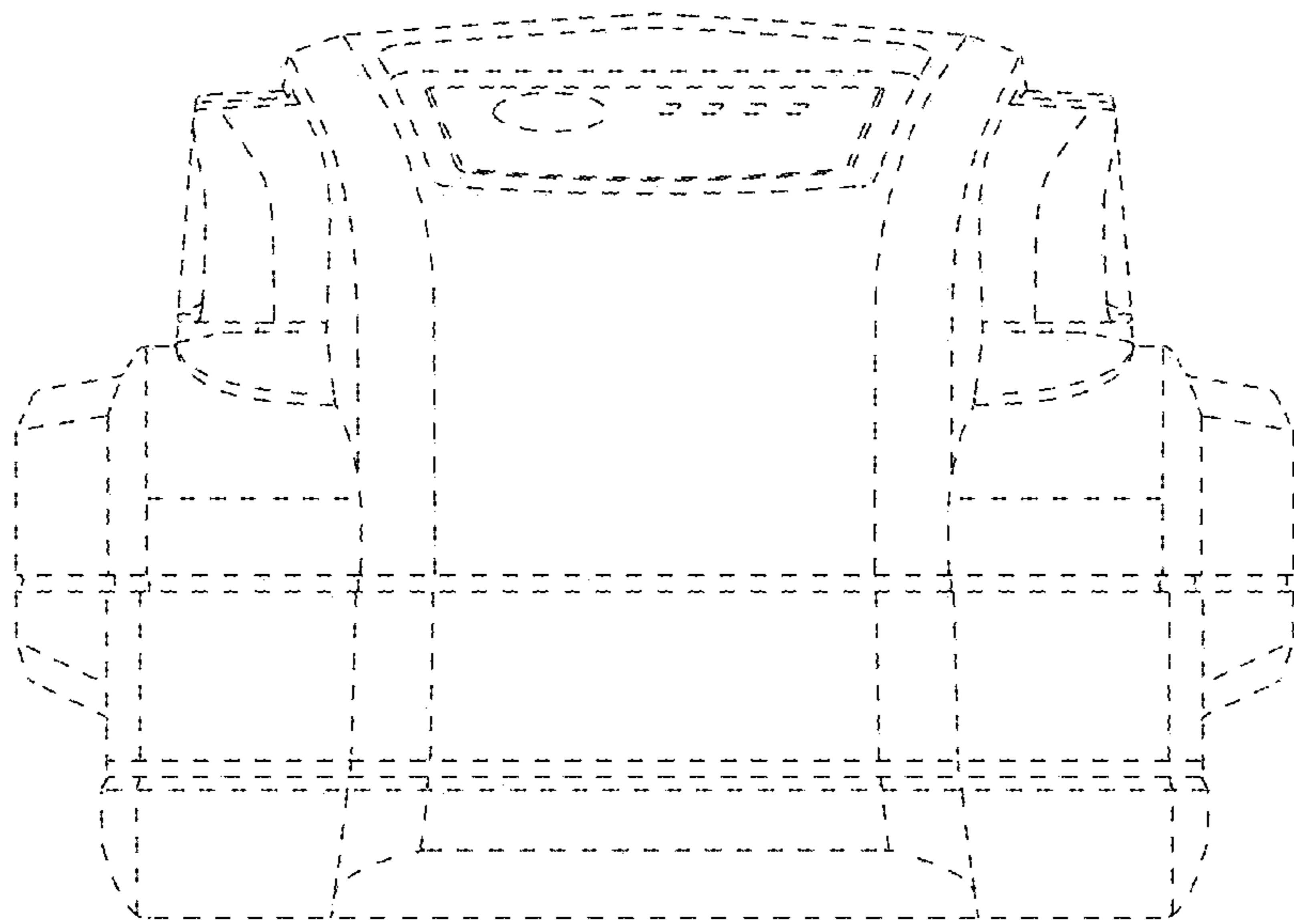


FIG. 4

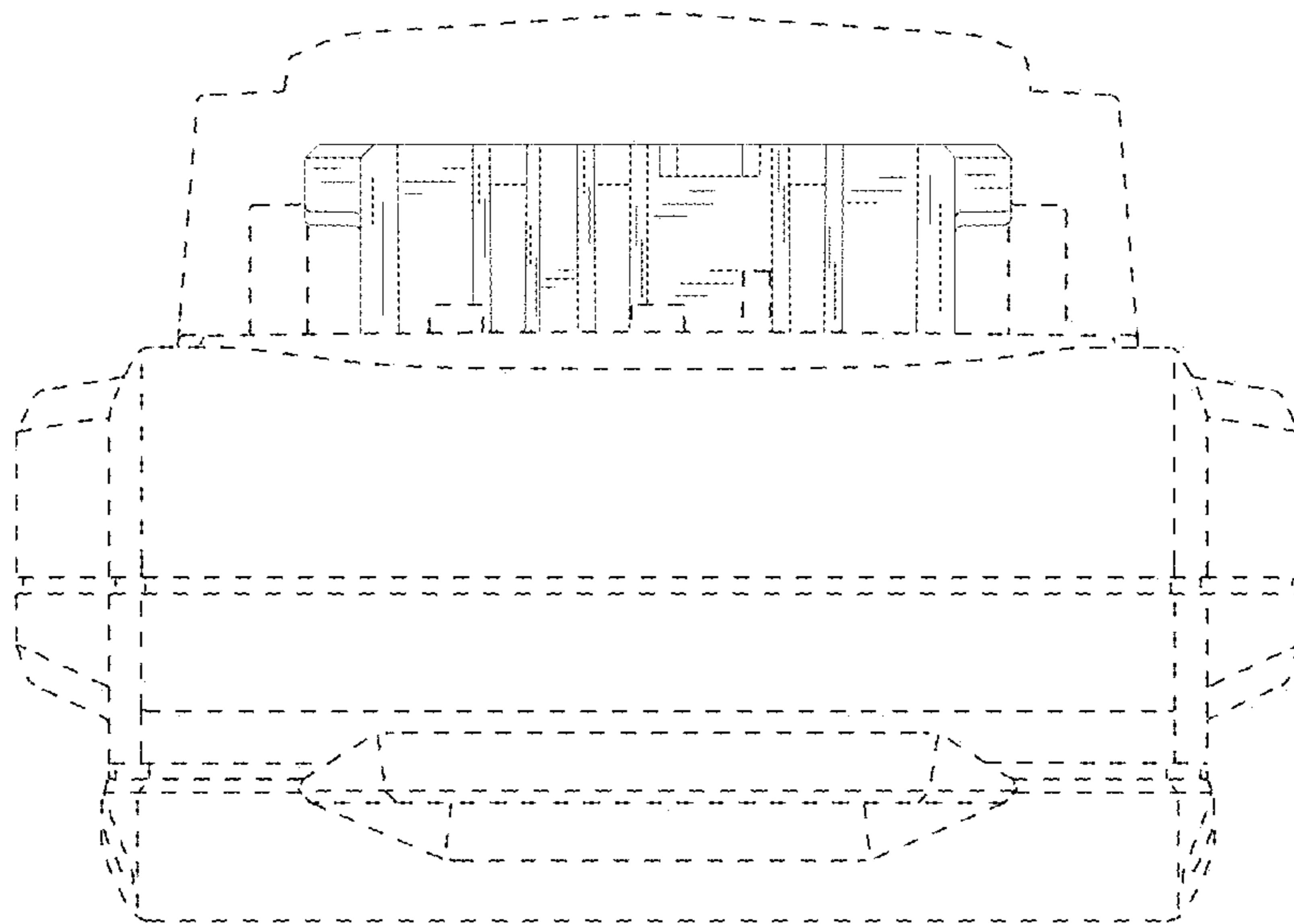


FIG. 5

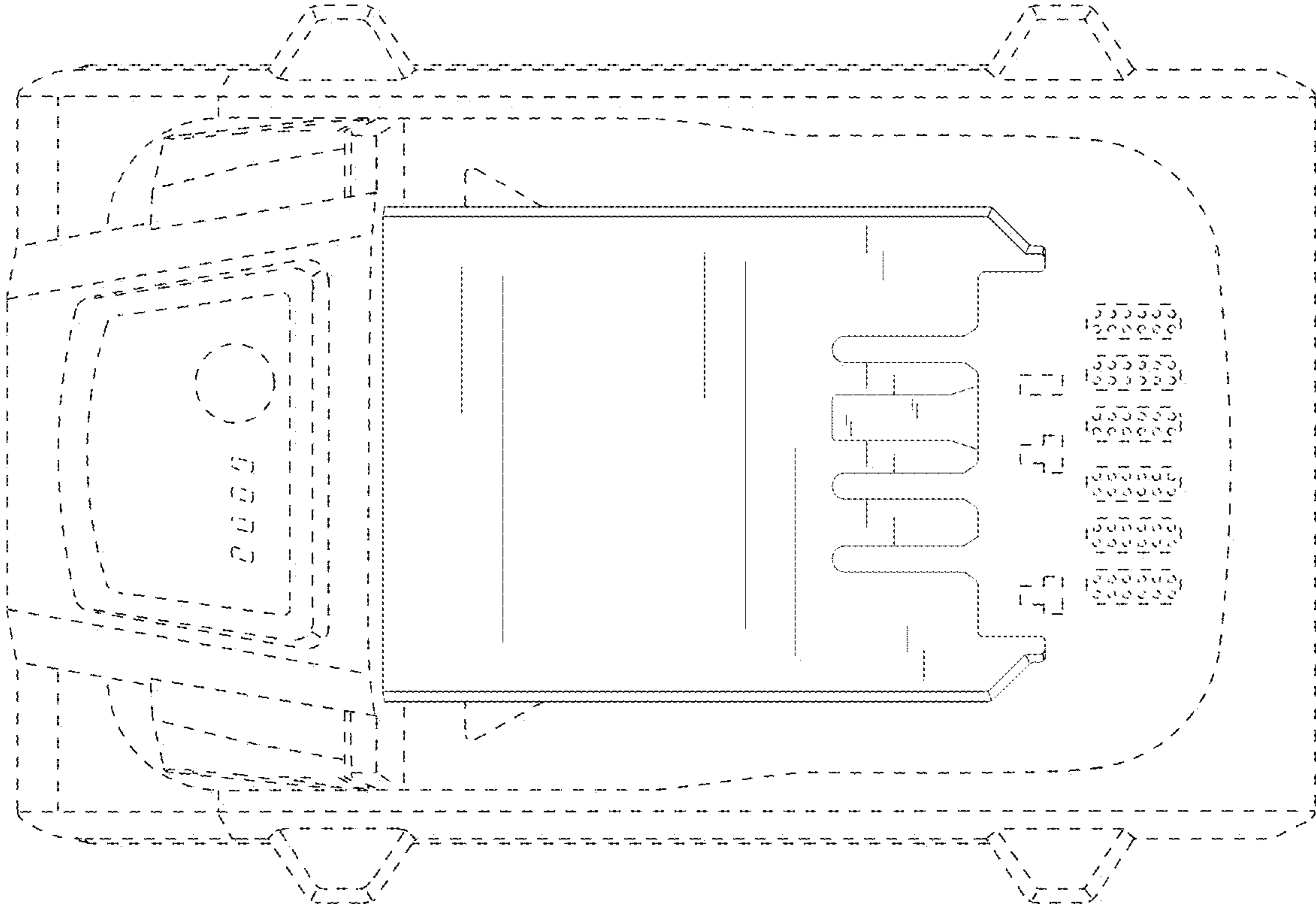


FIG. 6

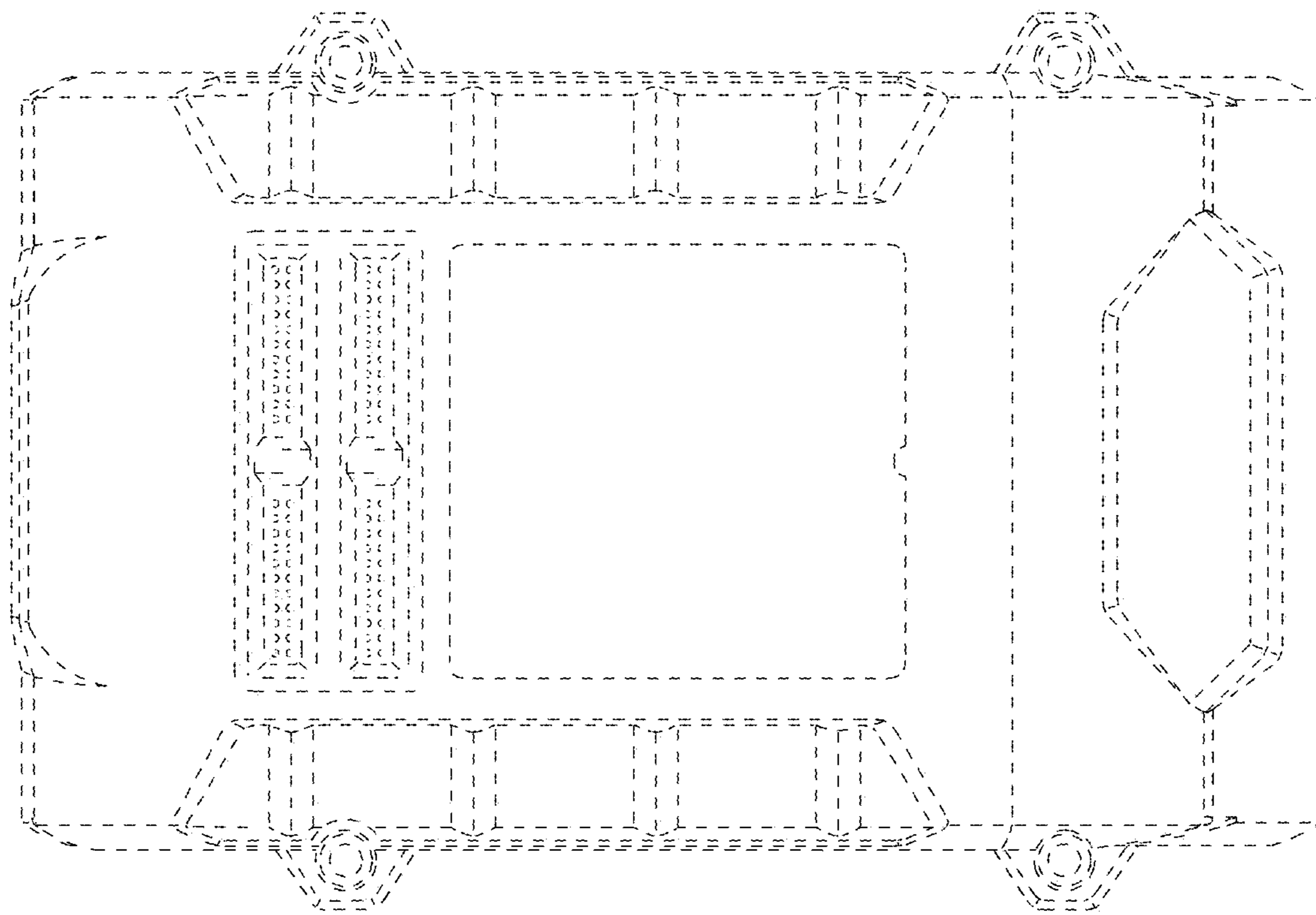


FIG. 7