



US00D987553S

(12) **United States Design Patent**
Kuriyama

(10) **Patent No.:** **US D987,553 S**

(45) **Date of Patent:** **** May 30, 2023**

(54) **AUTOMOBILE TIRE**

(71) Applicant: **The Yokohama Rubber Co., LTD.**,
Tokyo (JP)

(72) Inventor: **Masatoshi Kuriyama**, Hiratsuka (JP)

(73) Assignee: **The Yokohama Rubber Co., LTD.**,
Tokyo (JP)

(**) Term: **15 Years**

(21) Appl. No.: **29/802,365**

(22) Filed: **Aug. 4, 2021**

(30) **Foreign Application Priority Data**

Feb. 4, 2021 (JP) 2021-002433 D

(51) **LOC (14) Cl.** **12-15**

(52) **U.S. Cl.**
USPC **D12/523**

(58) **Field of Classification Search**
USPC D12/500–532, 544, 566, 569, 570, 572,
D12/577, 604, 900
CPC Y10T 152/10027; B60C 1/0016; B60C
11/0306; B60C 11/0302; B60C 3/06;
B60C 9/17
See application file for complete search history.

(56) **References Cited**

U.S. PATENT DOCUMENTS

D597,474 S	*	8/2009	Yamakawa	D12/519
D599,276 S	*	9/2009	Fontaine	D12/519
D601,939 S	*	10/2009	Fontaine	D12/519
D630,998 S	*	1/2011	Schmalix	D12/519
D634,261 S	*	3/2011	Schmalix	D12/519
D643,800 S	*	8/2011	Riswanda	D12/523
D644,593 S	*	9/2011	Fontaine	D12/523

D709,819 S	*	7/2014	Herbst	D12/521
D730,808 S	*	6/2015	Majerus	D12/523
D732,462 S	*	6/2015	Bindner	D12/523
D761,716 S	*	7/2016	Albouy	D12/519
D769,793 S	*	10/2016	Haanketo	D12/523
D773,977 S	*	12/2016	Dixon	D12/521
D794,539 S	*	8/2017	Bindner	D12/523
D805,461 S	*	12/2017	Majerus	D12/523
D820,194 S	*	6/2018	Haan	D12/523
D851,574 S	*	6/2019	Rittweger	D12/523
D901,372 S	*	11/2020	Moia	D12/900
D949,087 S	*	4/2022	Arakawa	D12/519

* cited by examiner

Primary Examiner — John A Voytek

(74) *Attorney, Agent, or Firm* — Thorpe North & Western

(57) **CLAIM**

The ornamental design for an automobile tire, as shown and described.

DESCRIPTION

FIG. 1 is a perspective view of an automobile tire showing my new design;
 FIG. 2 is a front view thereof;
 FIG. 3 is a rear view thereof;
 FIG. 4 is a left side view thereof;
 FIG. 5 is a right side view thereof;
 FIG. 6 is a top plan view thereof;
 FIG. 7 is a bottom plan view thereof;
 FIG. 8 is an enlarged fragmental view thereof; taken along lines 8-8 in FIG. 2; and,
 FIG. 9 is a cross-sectional view thereof; taken along lines 9-9 in FIG. 8.

The broken lines in the drawings are for the purpose of illustrating unclaimed portions of the automobile tire and form no part of the claimed design, and the dash-dot-dash broken lines illustrate the boundary of the claimed design.

1 Claim, 7 Drawing Sheets

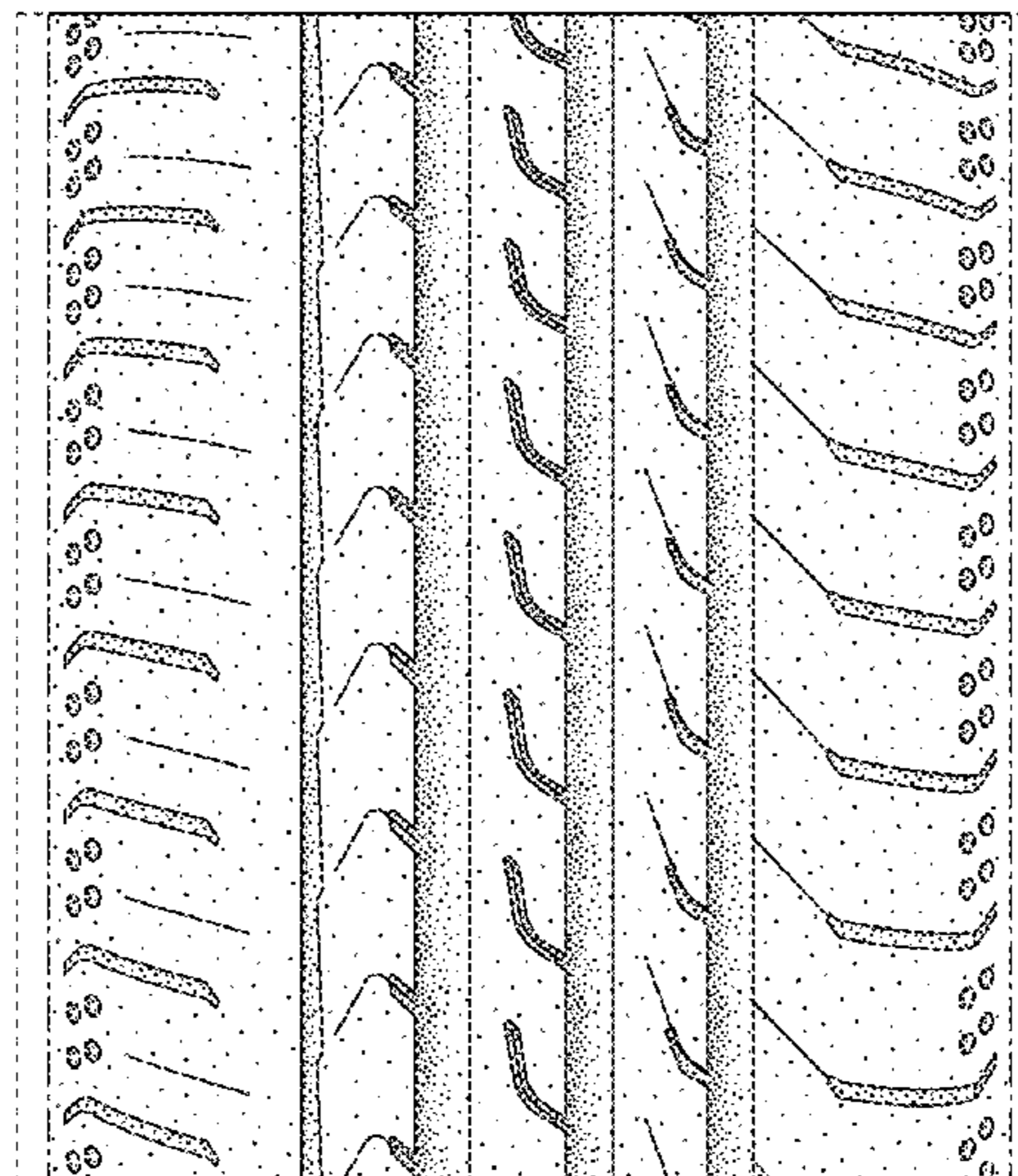
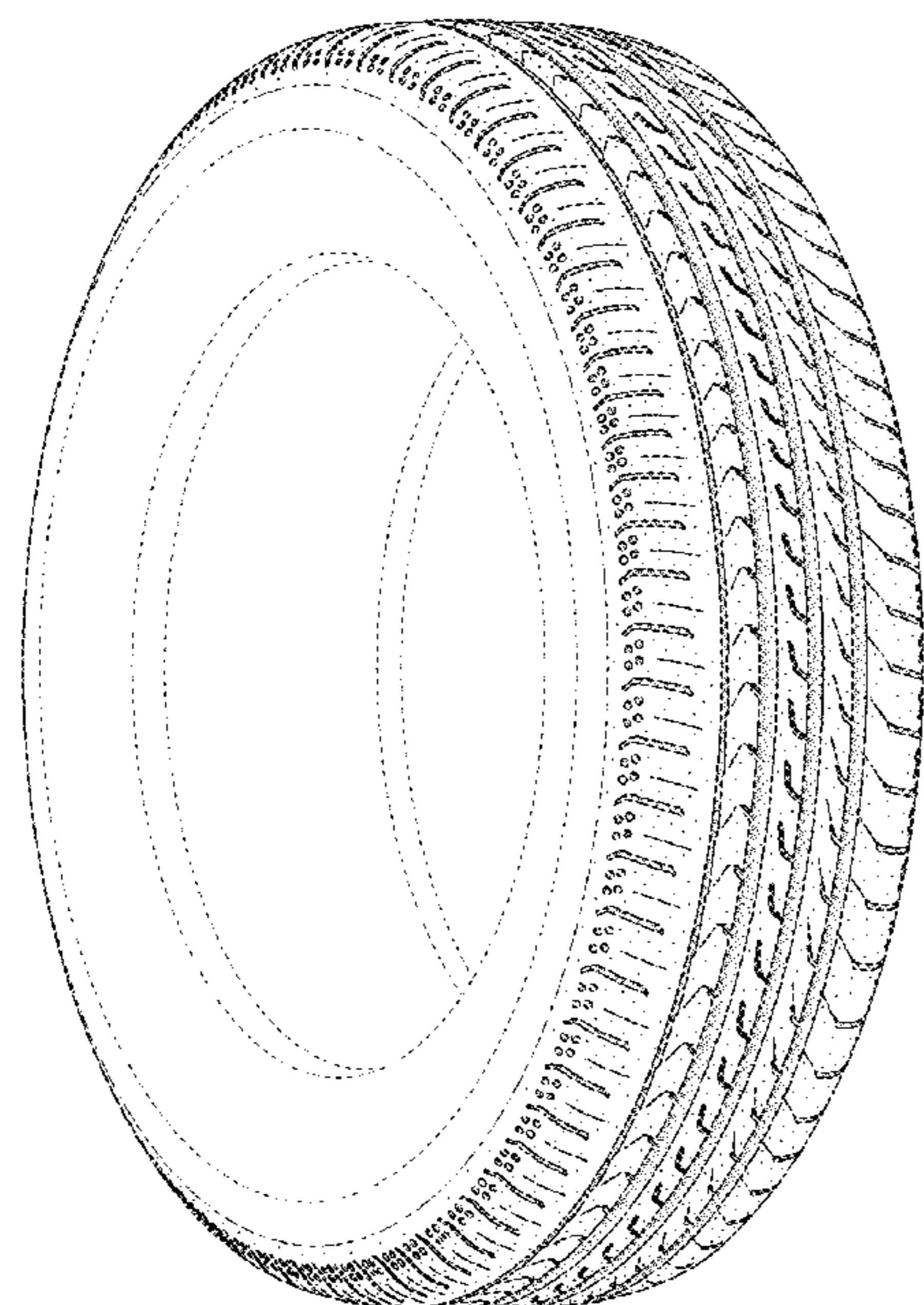


FIG. 1

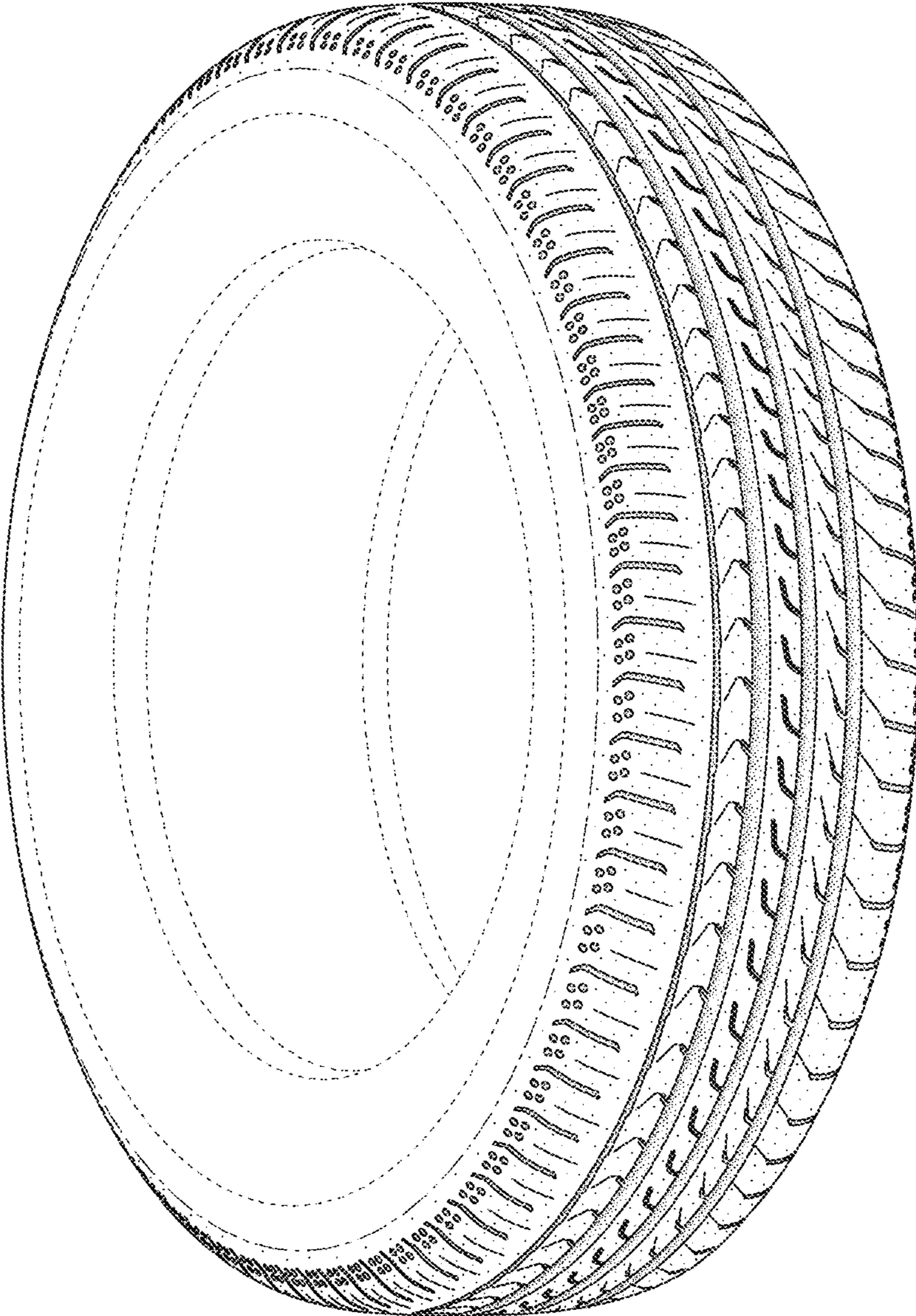


FIG. 2

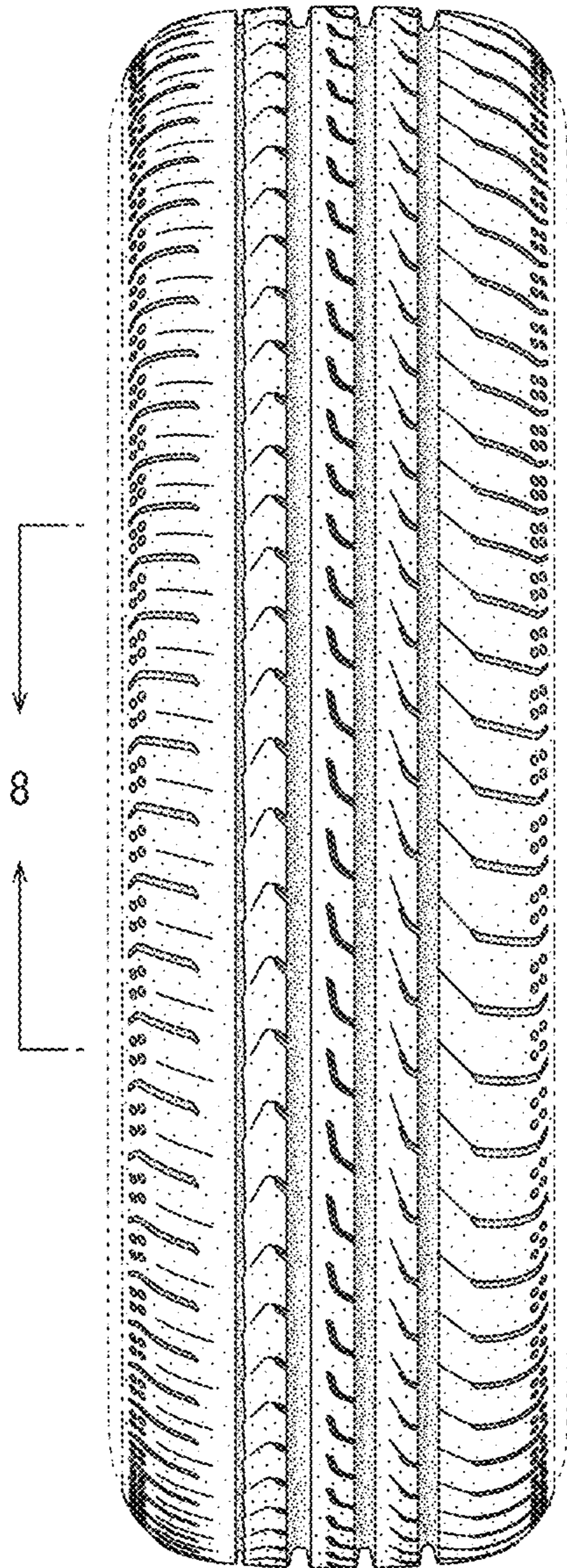


FIG. 3

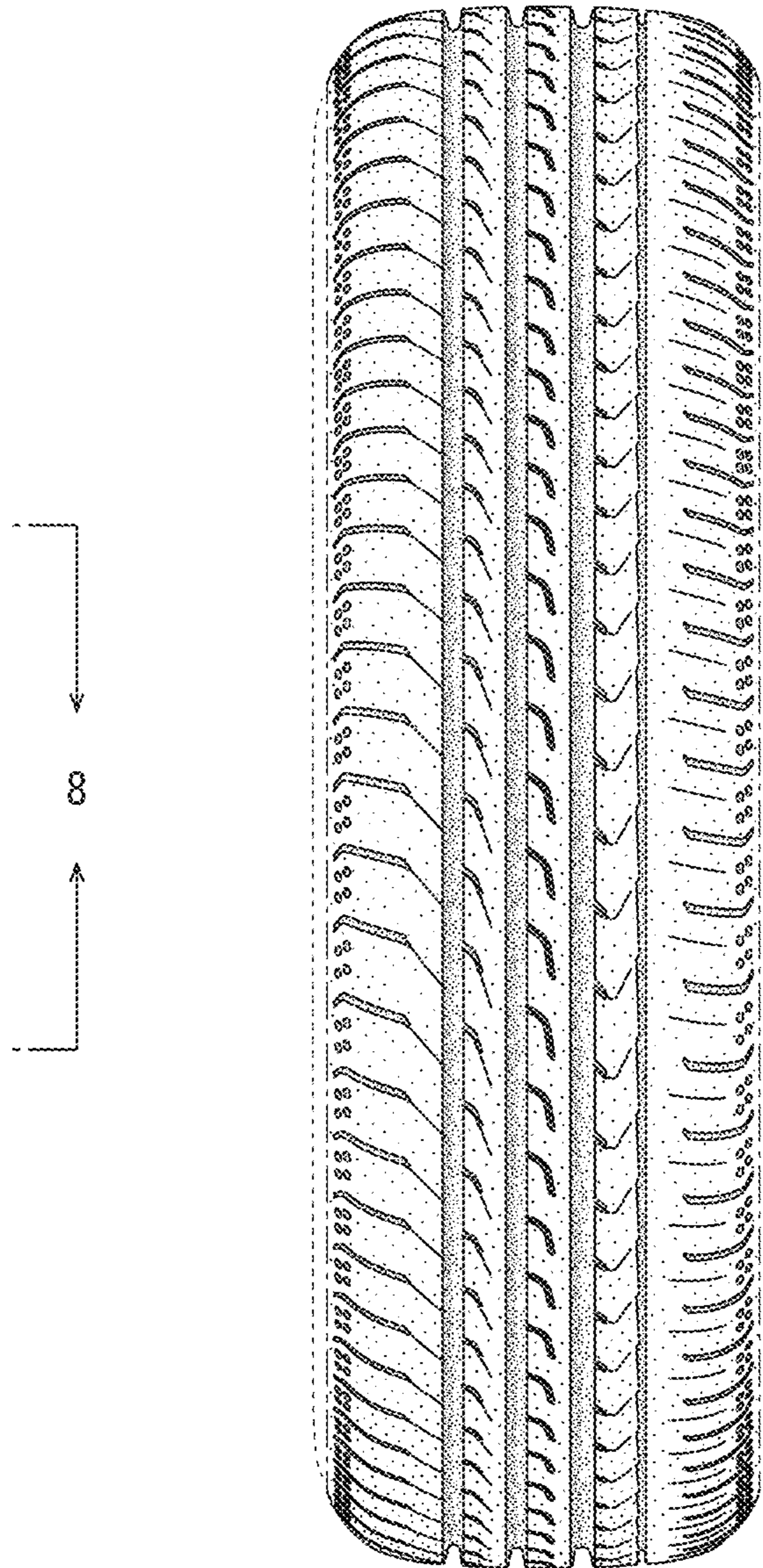


FIG. 4

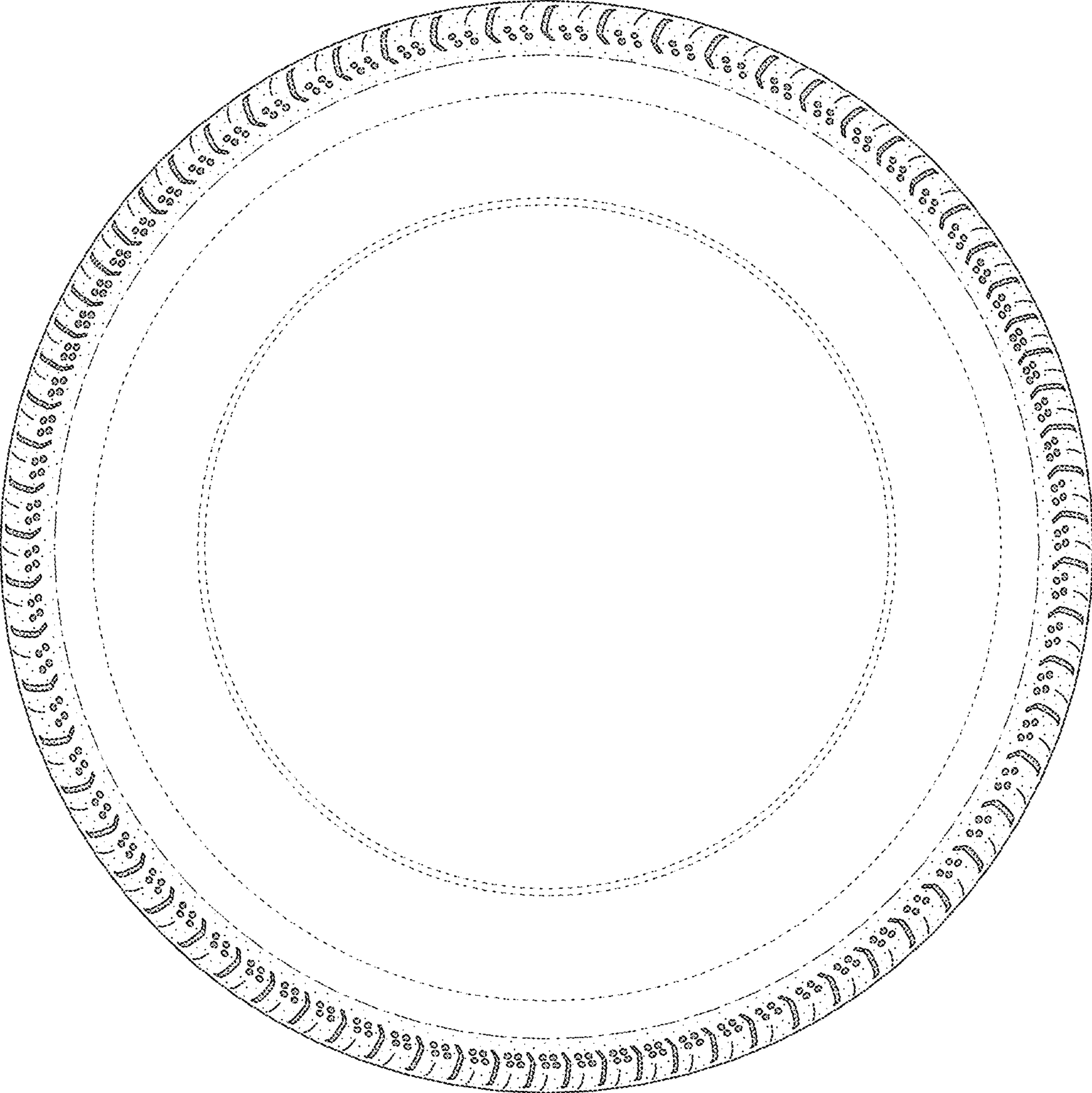


FIG. 5

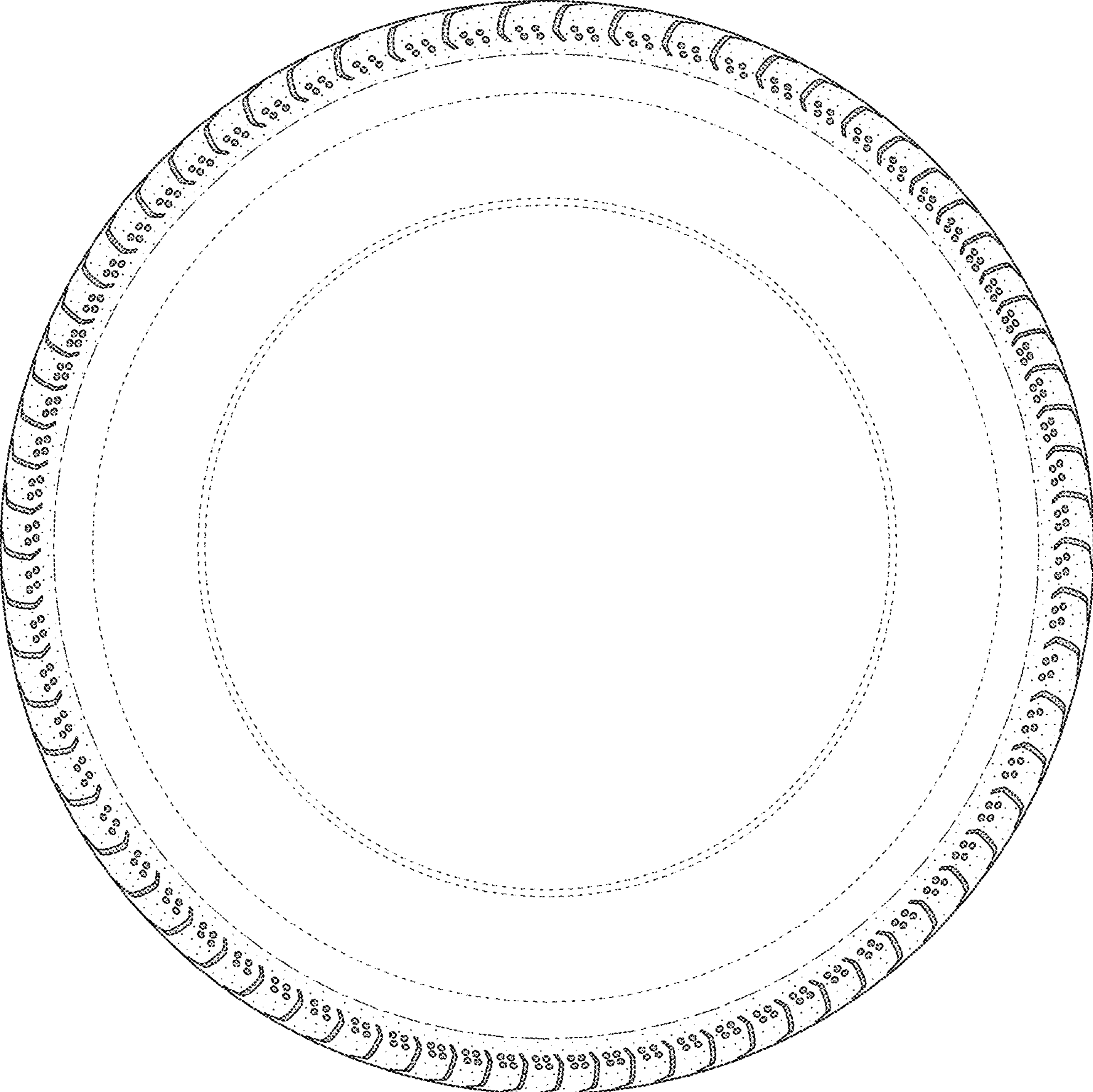


FIG. 6

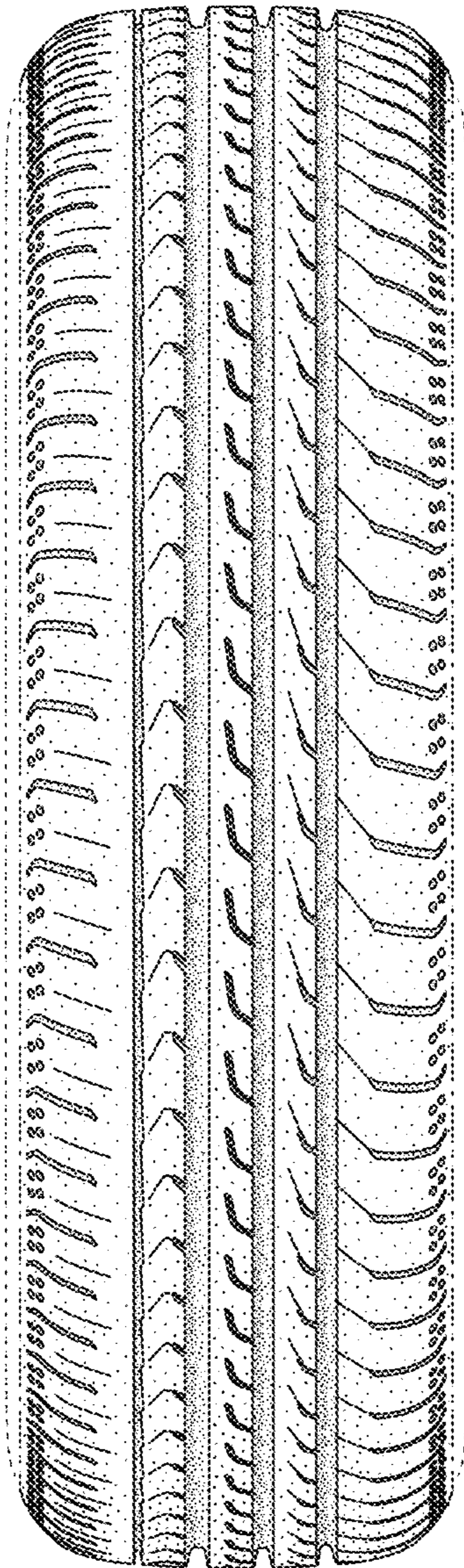


FIG. 7

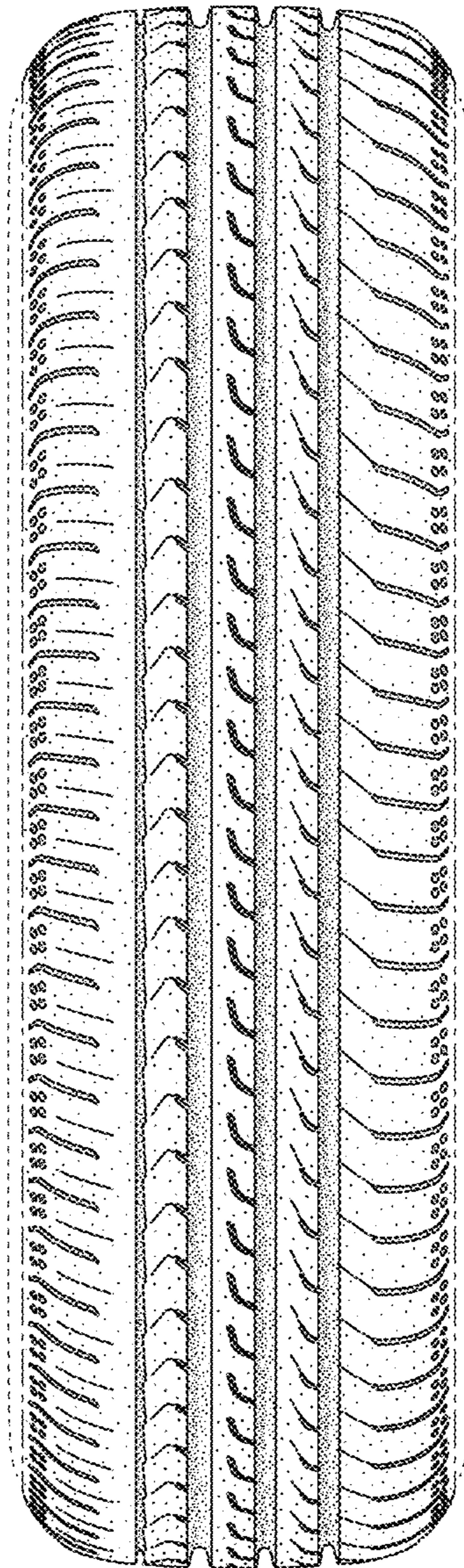


FIG. 8

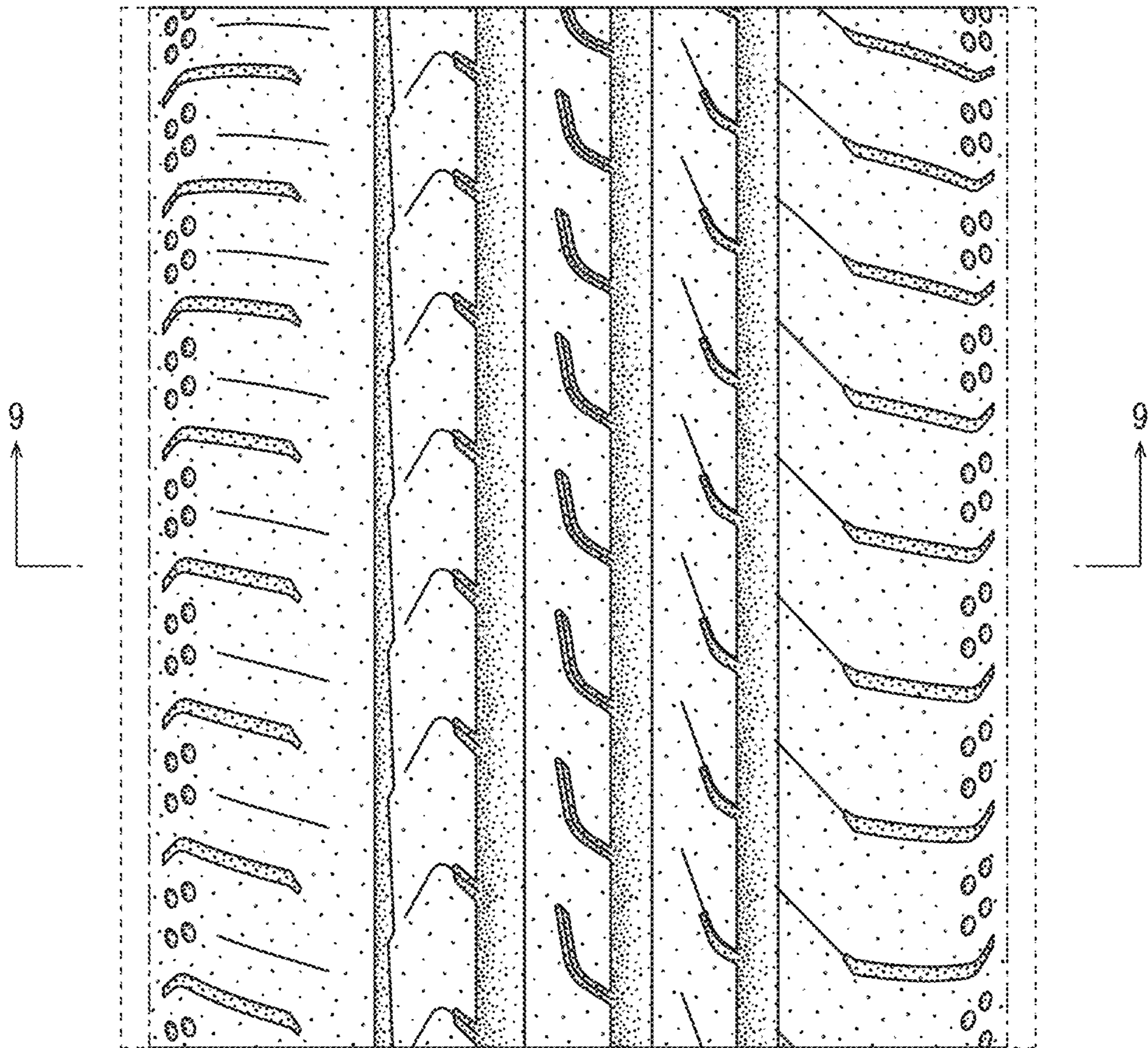


FIG. 9

