



US00D987549S

(12) **United States Design Patent**
Singleton

(10) **Patent No.:** **US D987,549 S**

(45) **Date of Patent:** **** May 30, 2023**

(54) **PRESSURIZED VESSEL**

(71) Applicant: **Lester Singleton**, Austin, TX (US)

(72) Inventor: **Lester Singleton**, Austin, TX (US)

(**) Term: **15 Years**

(21) Appl. No.: **29/814,934**

(22) Filed: **Nov. 10, 2021**

(51) **LOC (14) Cl.** **12-15**

(52) **U.S. Cl.**
USPC **D12/501**

(58) **Field of Classification Search**
USPC D12/533-567, 604, 519-532
CPC Y10T 152/10027; B60C 1/0016; B60C
11/0306; B60C 11/0302; B60C 3/06;
B60C 9/17
See application file for complete search history.

(56) **References Cited**

U.S. PATENT DOCUMENTS

- D639,235 S * 6/2011 Reim D12/600
- D645,811 S * 9/2011 Gaylo D12/601
- D780,678 S * 3/2017 Maxwell D12/595

- D812,551 S * 3/2018 Stanley D12/601
- D822,585 S * 7/2018 Wang D12/532
- D892,720 S * 8/2020 Wang D12/601
- D904,287 S * 12/2020 Binder D12/594
- D940,061 S * 1/2022 Davis D12/601
- D954,633 S * 6/2022 Loesch D12/527
- D978,063 S * 2/2023 Park D12/527

* cited by examiner

Primary Examiner — John A Voytek

(74) *Attorney, Agent, or Firm* — Tim D. Chheda

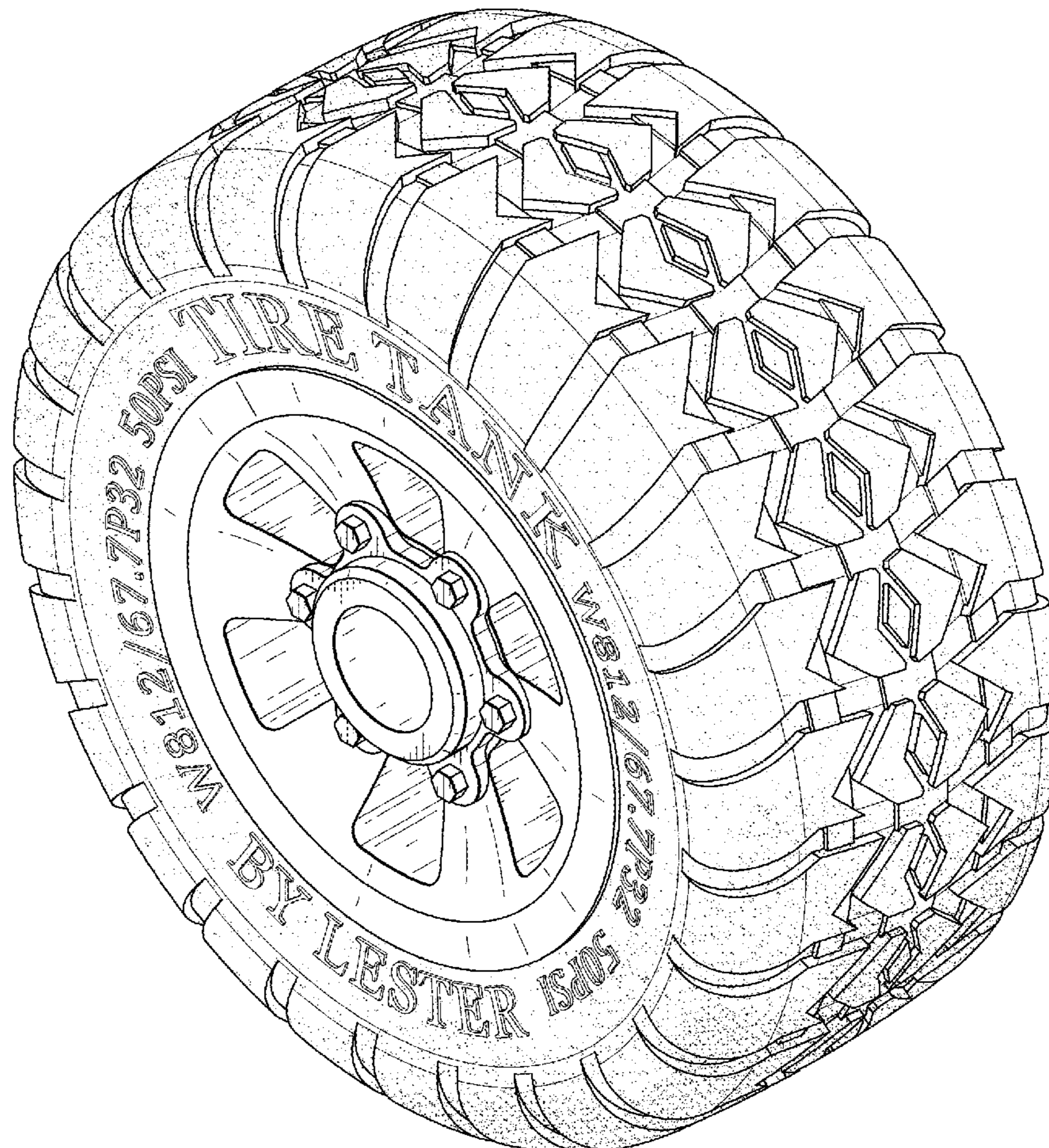
(57) **CLAIM**

The ornamental design for a pressurized vessel, as shown and described.

DESCRIPTION

FIG. 1 is a front perspective view of a pressurized vessel showing my new design;
 FIG. 2 is a front view thereof, the rear view, top view, and bottom view being identical;
 FIG. 3 is a left side view thereof;
 FIG. 4 is a right side view thereof; and,
 FIG. 5 is a right side perspective view thereof.
 The liquid and pressure input and output interfaces are shown in broken lines for illustrative purposes only and form no part of the claimed design.

1 Claim, 5 Drawing Sheets



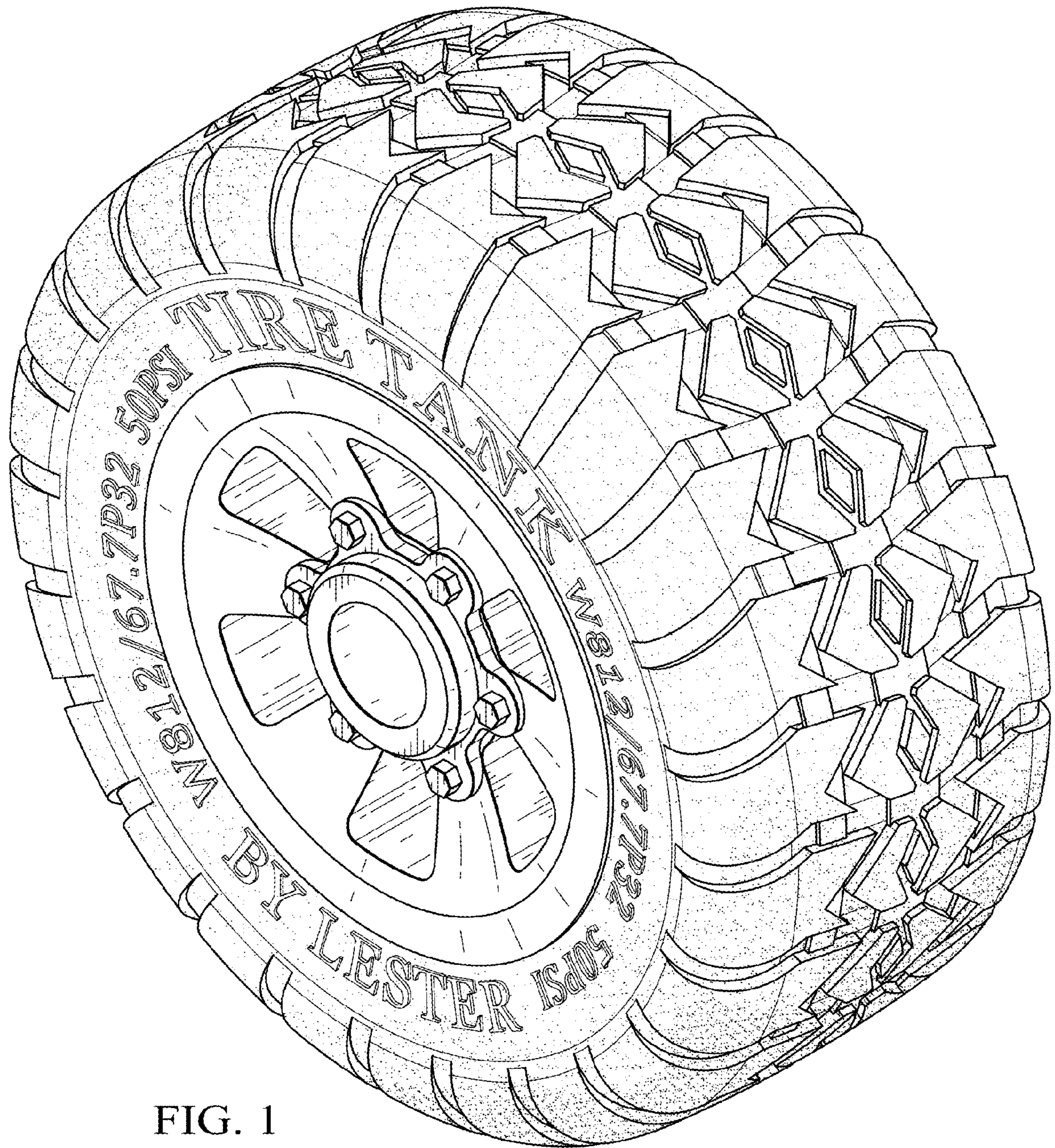


FIG. 1

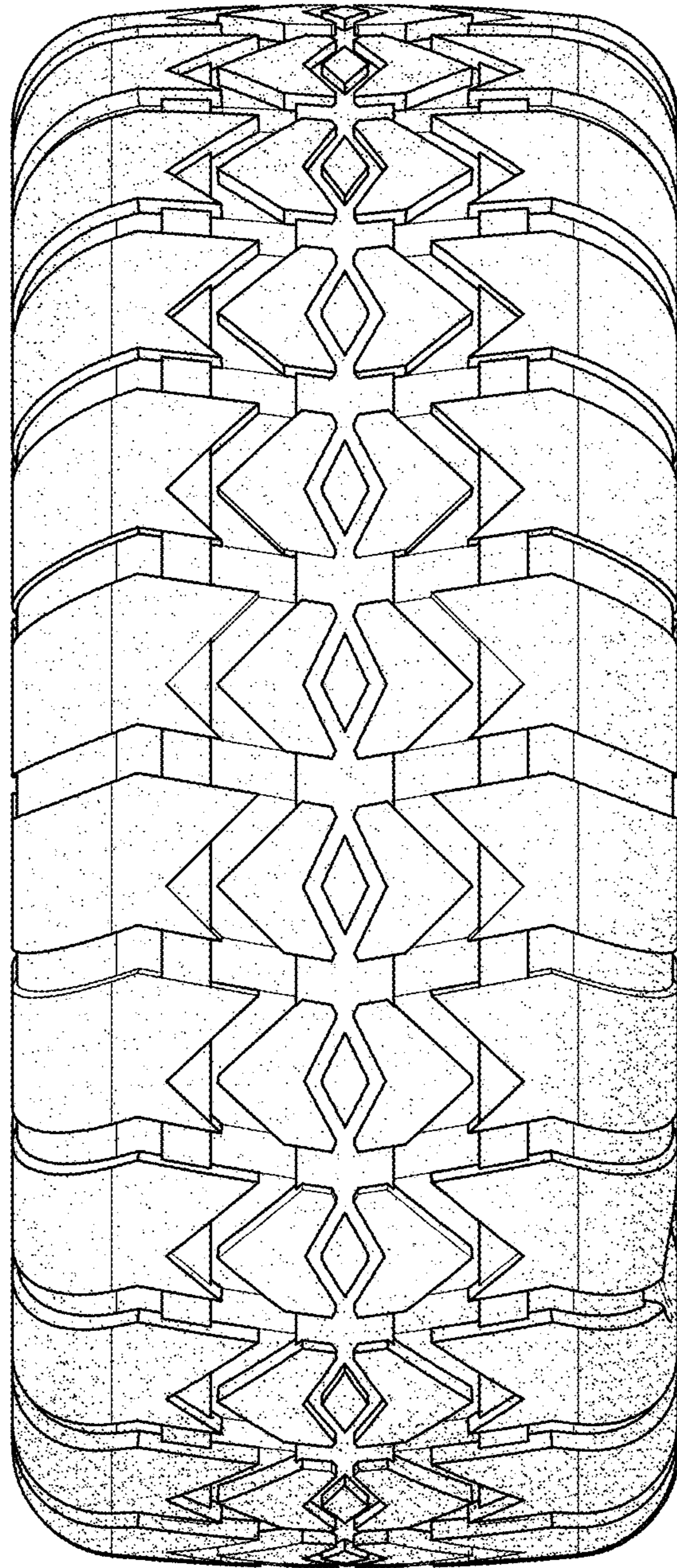


FIG. 2

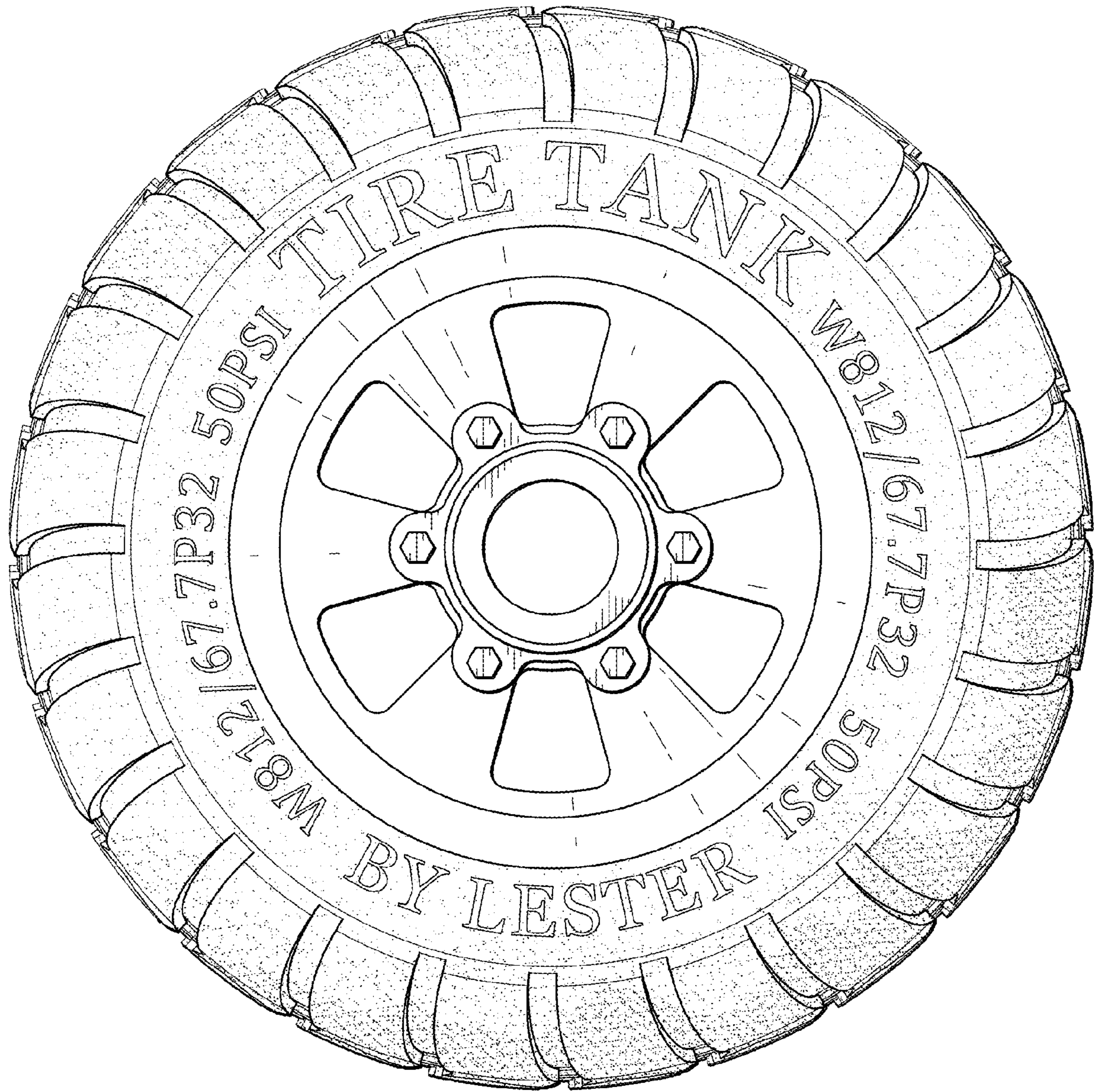


FIG. 3

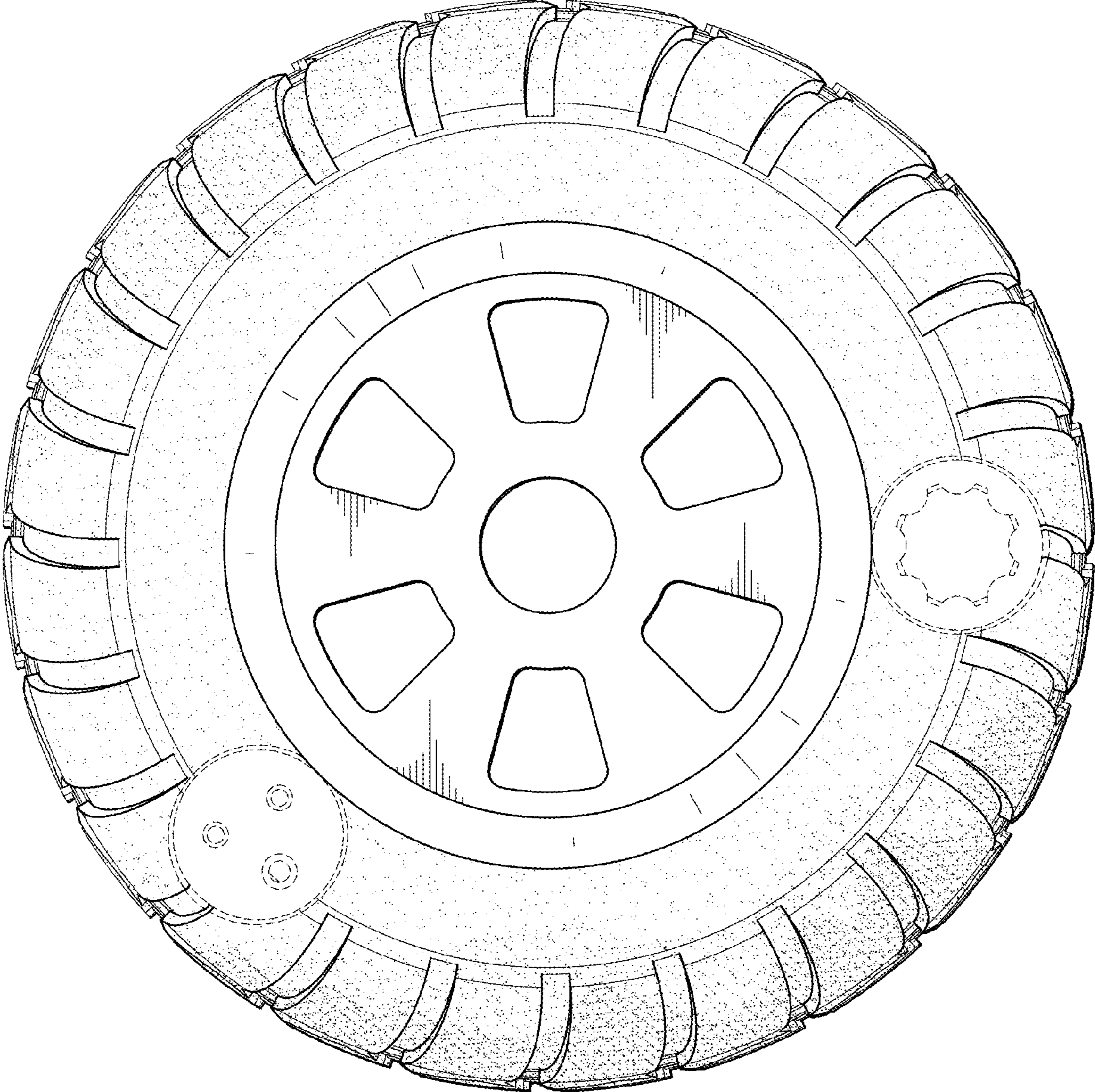


FIG. 4

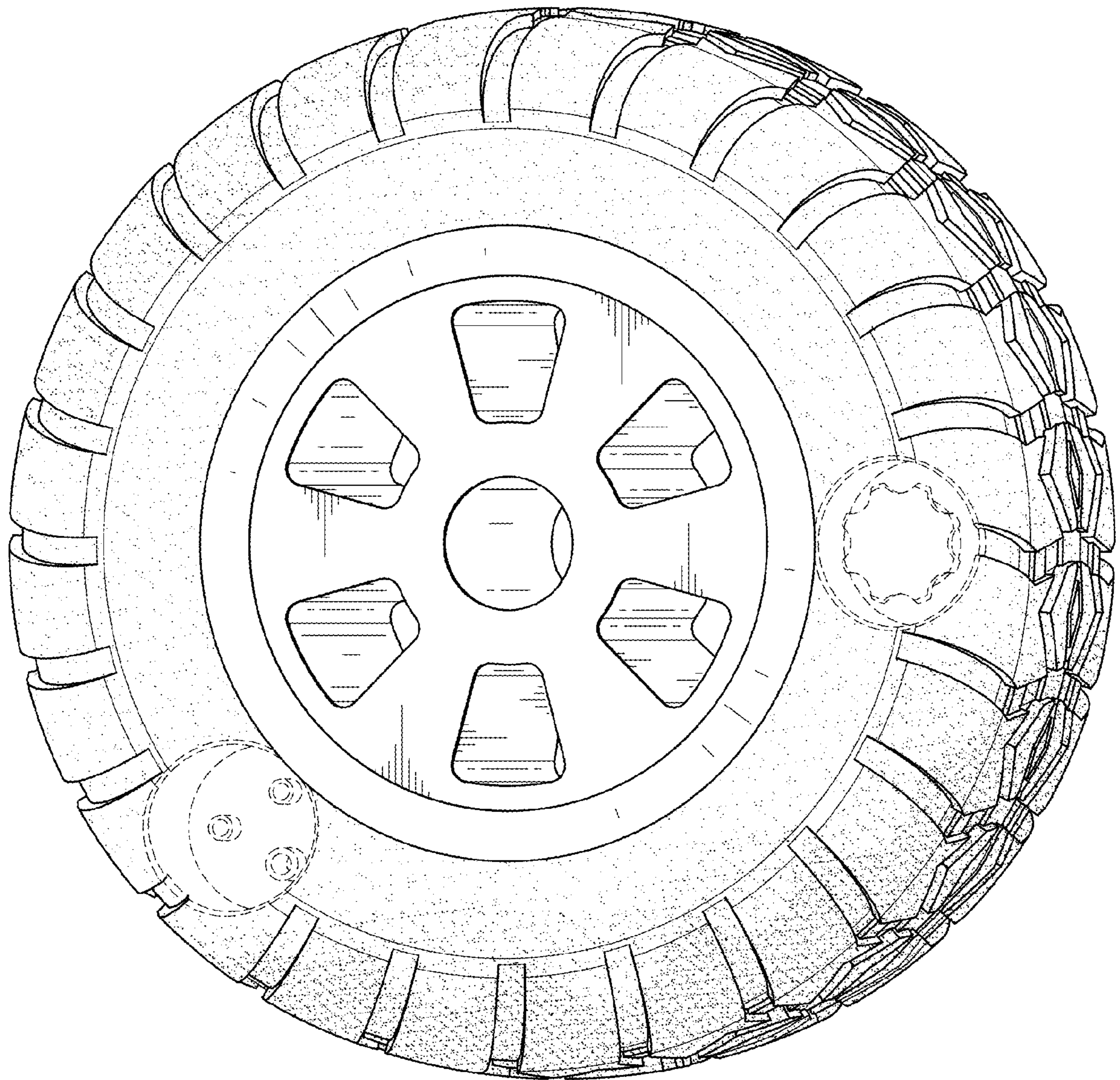


FIG. 5