



US00D987548S

(12) **United States Design Patent**  
**Lou**

(10) **Patent No.:** **US D987,548 S**

(45) **Date of Patent:** **\*\* May 30, 2023**

- (54) **LUGGAGE CARRIER**
- (71) Applicant: **NINGBO NANYANG VEHICLE CO., LTD.**, Zhejiang (CN)
- (72) Inventor: **Pandeng Lou**, Zhejiang (CN)
- (73) Assignee: **NINGBO NANYANG VEHICLE CO., LTD.**, Zhejiang (CN)

8,136,708 B2 \* 3/2012 Sautter ..... B60R 9/08  
410/97  
9,079,541 B2 \* 7/2015 Farber ..... B60R 9/08  
D814,389 S \* 4/2018 Walker ..... D12/412  
D870,643 S \* 12/2019 Adler ..... D12/412  
D895,530 S \* 9/2020 Lathrop ..... D12/412  
D919,550 S \* 5/2021 Teng ..... D12/412  
D972,488 S \* 12/2022 Liu ..... D12/412

- (\*\*) Term: **15 Years**
- (21) Appl. No.: **29/745,598**
- (22) Filed: **Aug. 7, 2020**

\* cited by examiner

*Primary Examiner* — Katrina A Betton

(74) *Attorney, Agent, or Firm* — JCIP Global Inc.

(30) **Foreign Application Priority Data**

Jul. 2, 2020 (CN) ..... 202030350540.9

- (51) **LOC (14) Cl.** ..... **12-16**
- (52) **U.S. Cl.**  
USPC ..... **D12/412**
- (58) **Field of Classification Search**  
USPC ..... D12/406-414; D32/35, 58; D6/513-514,  
D6/317-319  
CPC ..... B62J 9/003; B62J 7/06; B62J 9/001  
See application file for complete search history.

(57) **CLAIM**

The ornamental design for a luggage carrier, as shown and described.

**DESCRIPTION**

FIG. 1 is a perspective view of a luggage carrier showing my new design;  
FIG. 2 is another perspective view thereof;  
FIG. 3 is a front view thereof;  
FIG. 4 is a rear view thereof;  
FIG. 5 is a left side view thereof;  
FIG. 6 is a right side view thereof;  
FIG. 7 is a top view thereof;  
FIG. 8 is a bottom view thereof; and,  
FIG. 9 is a perspective view thereof with the ramp folded down.

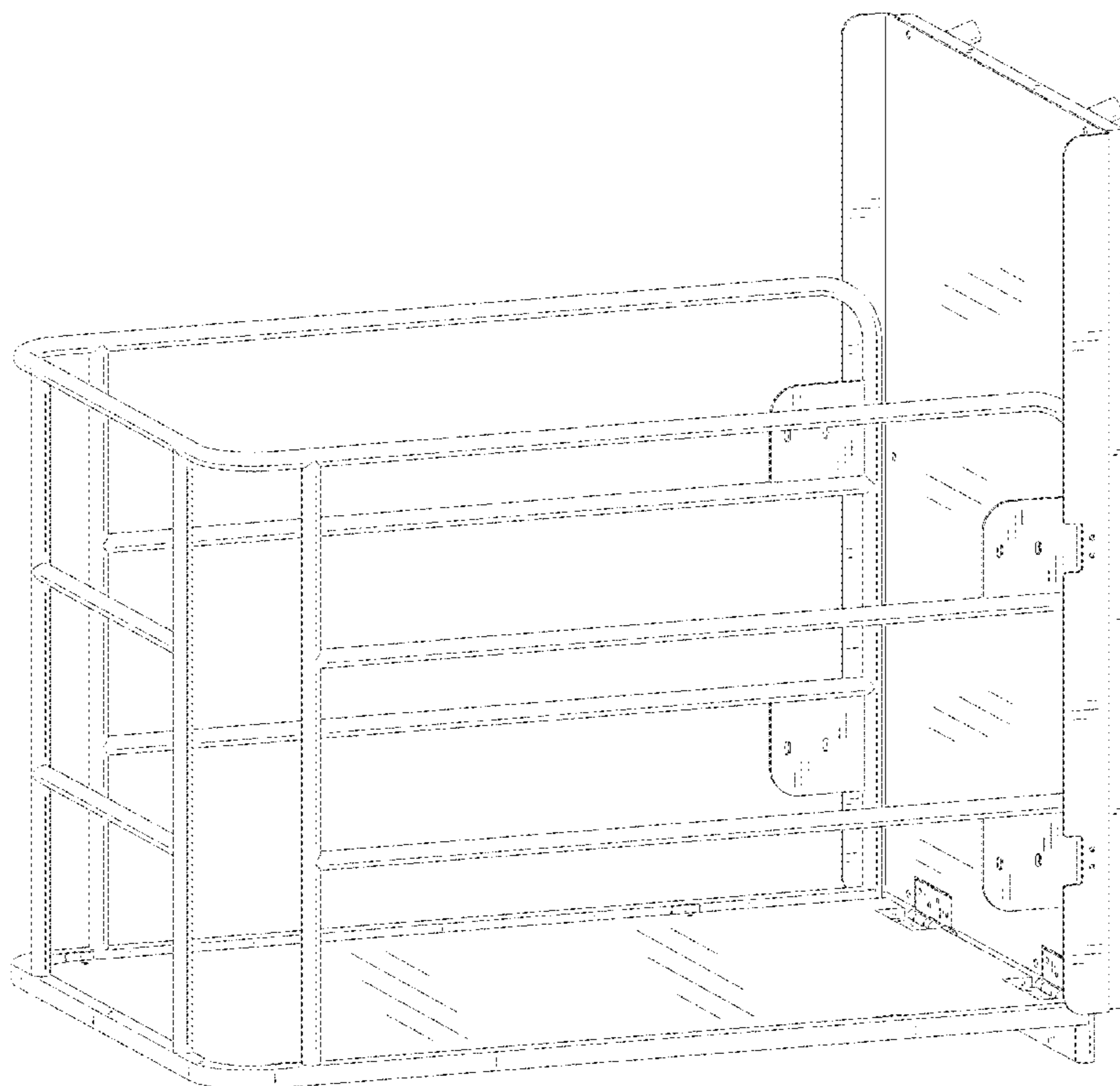
The broken lines illustrate portions of the luggage carrier that form no part of the claimed design.

(56) **References Cited**

**U.S. PATENT DOCUMENTS**

- D637,949 S \* 5/2011 Farber ..... D12/412
- D638,333 S \* 5/2011 Freeman ..... D12/412
- D639,718 S \* 6/2011 Patrick ..... D12/412

**1 Claim, 8 Drawing Sheets**



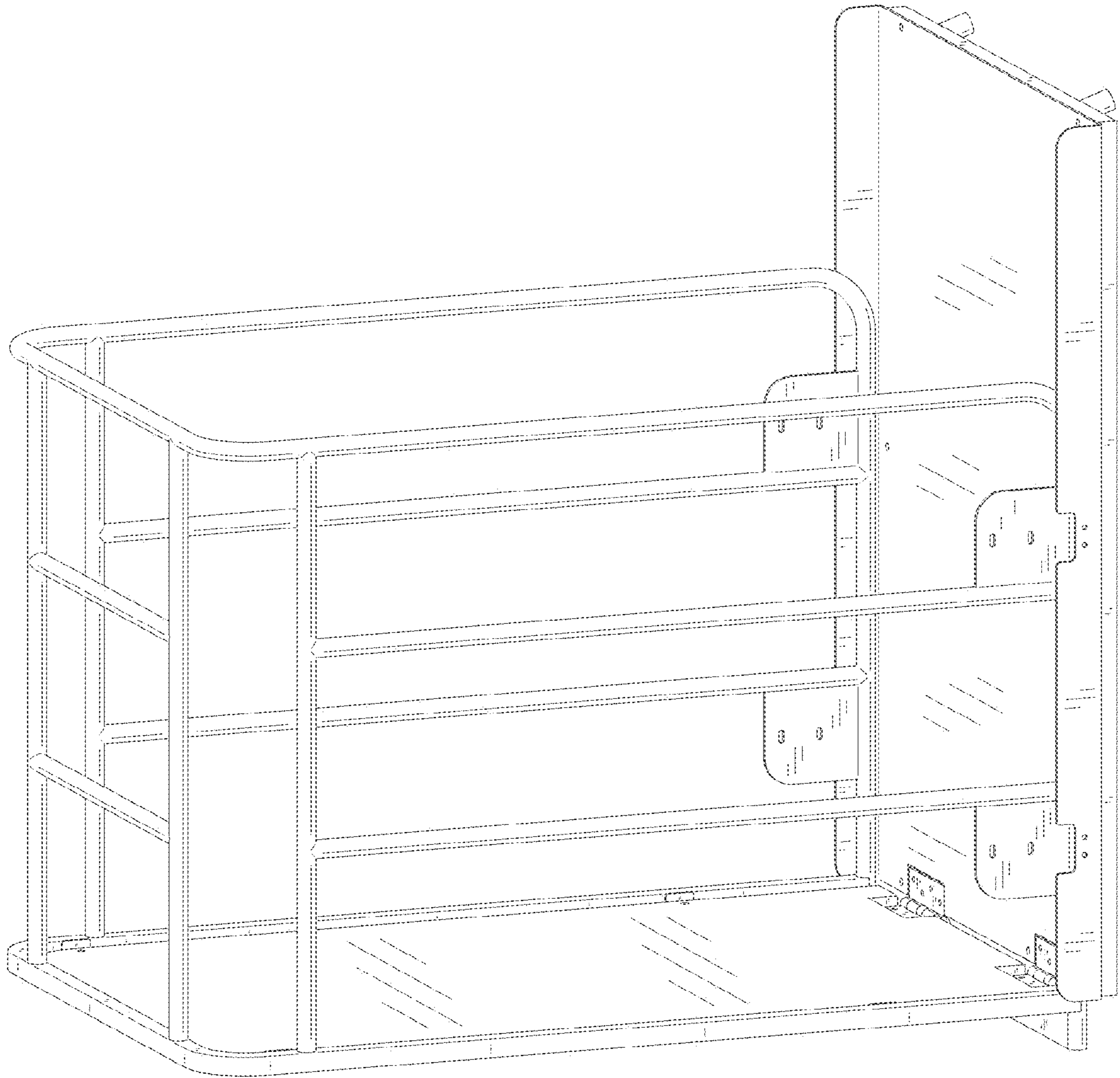


FIG. 1

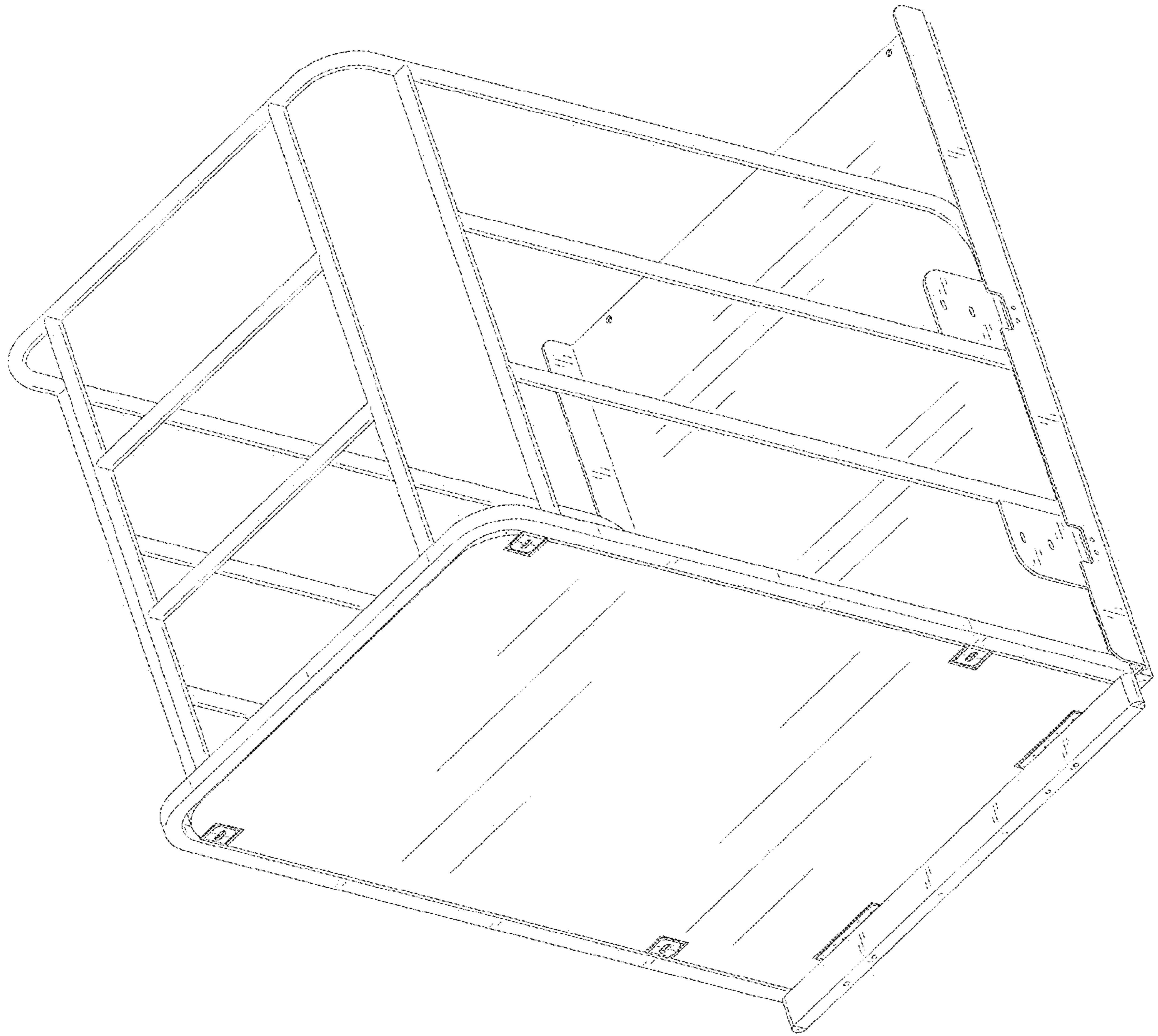


FIG. 2

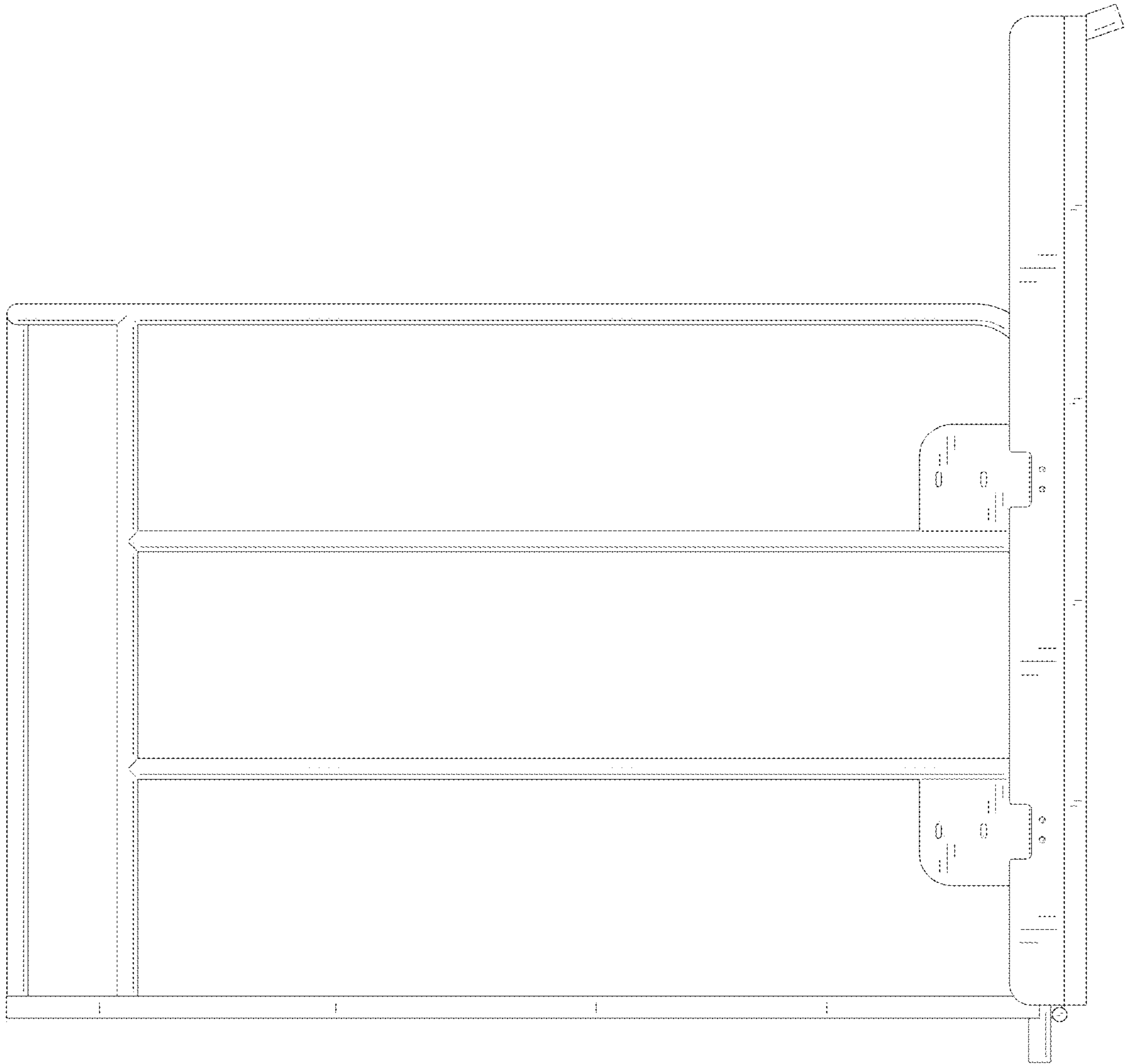


FIG. 3

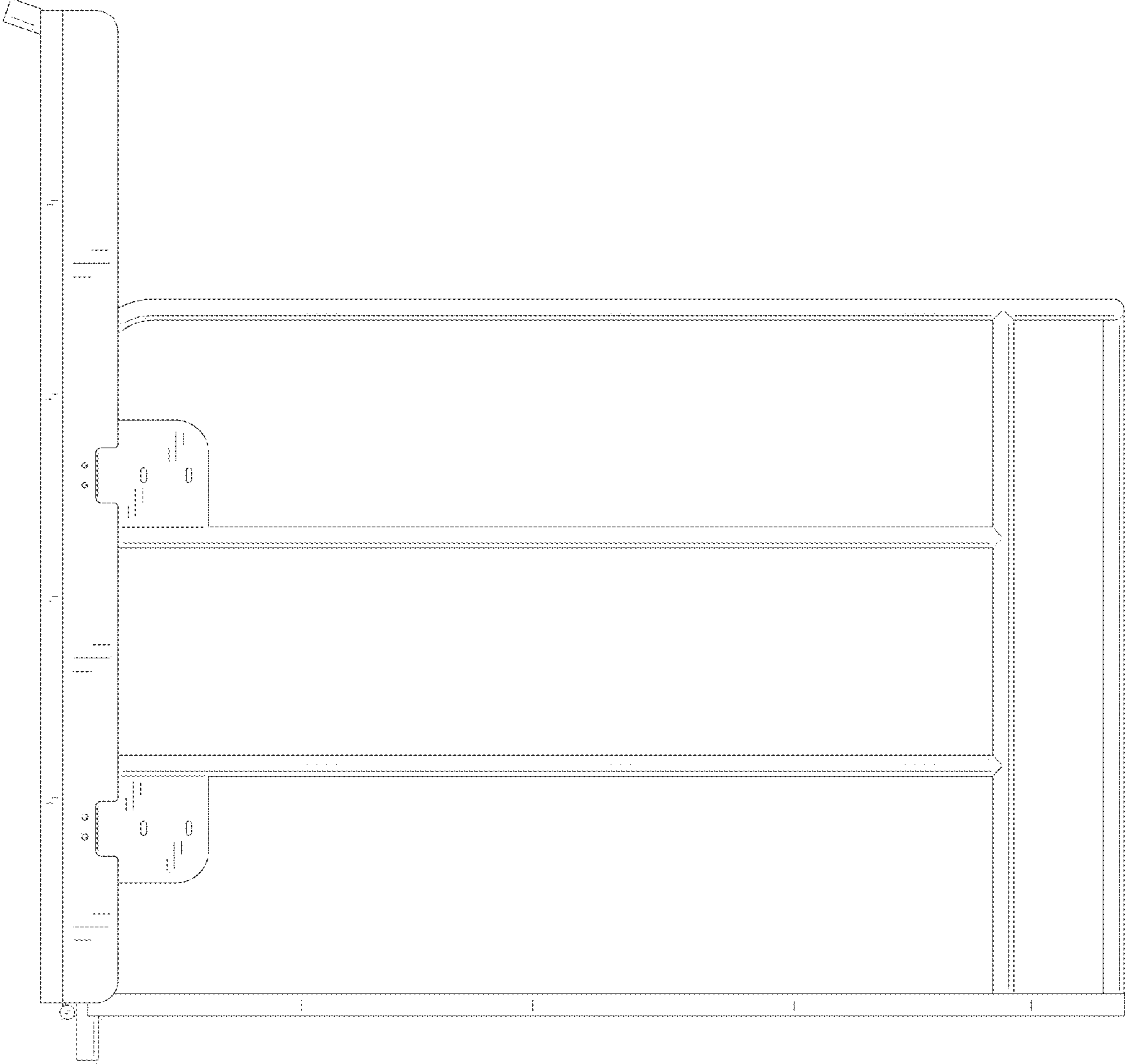


FIG. 4

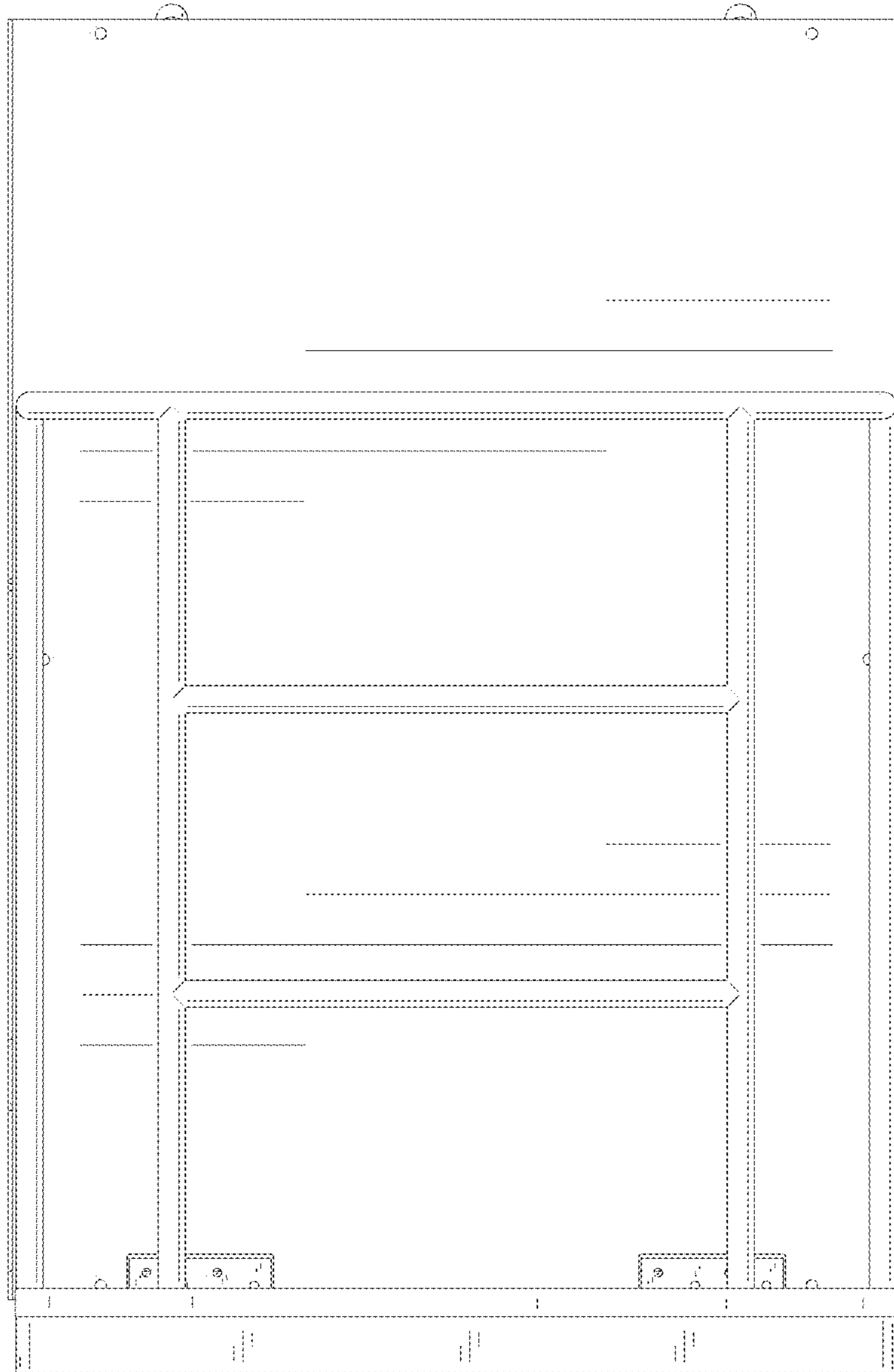


FIG. 5

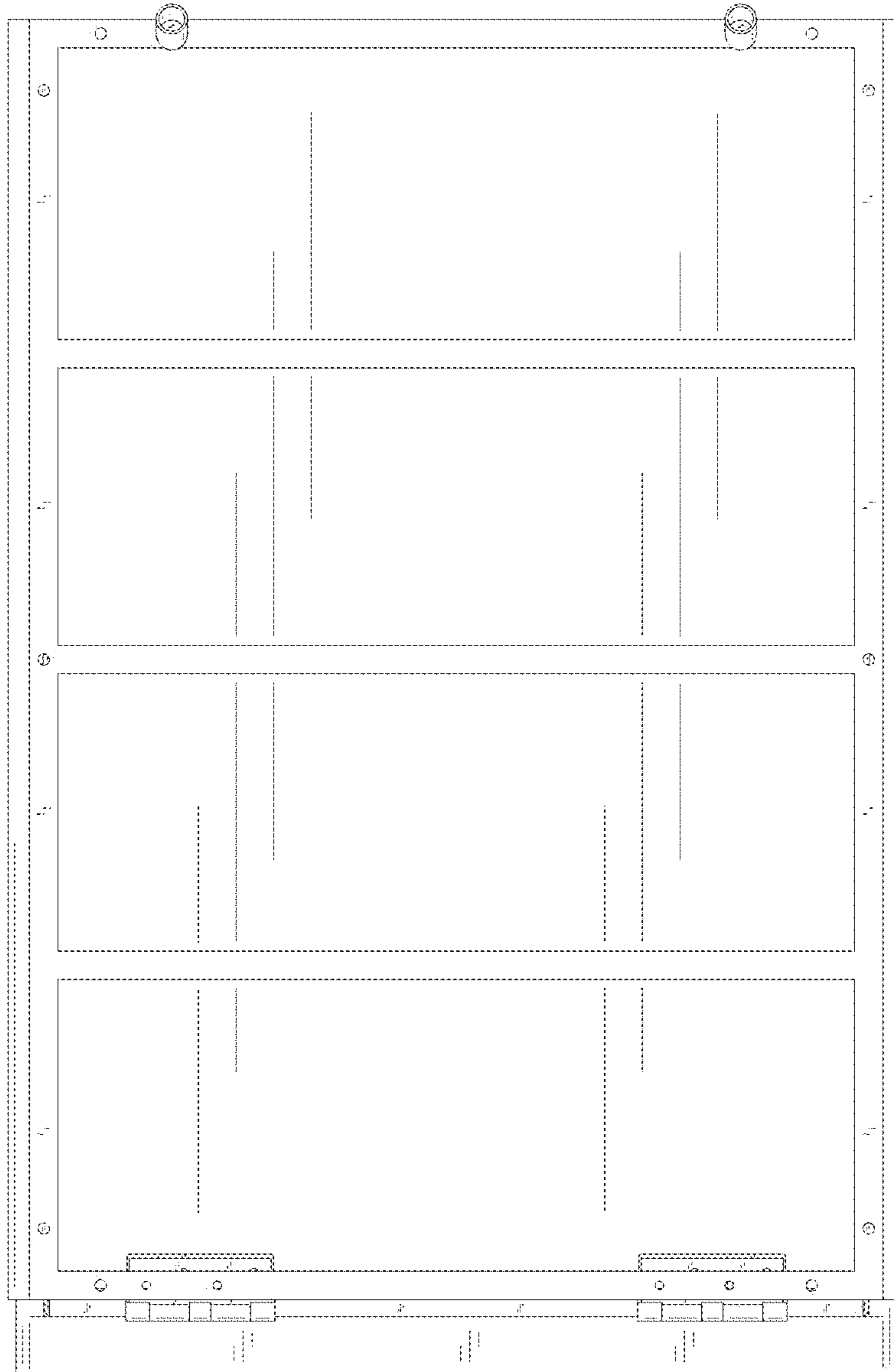


FIG. 6

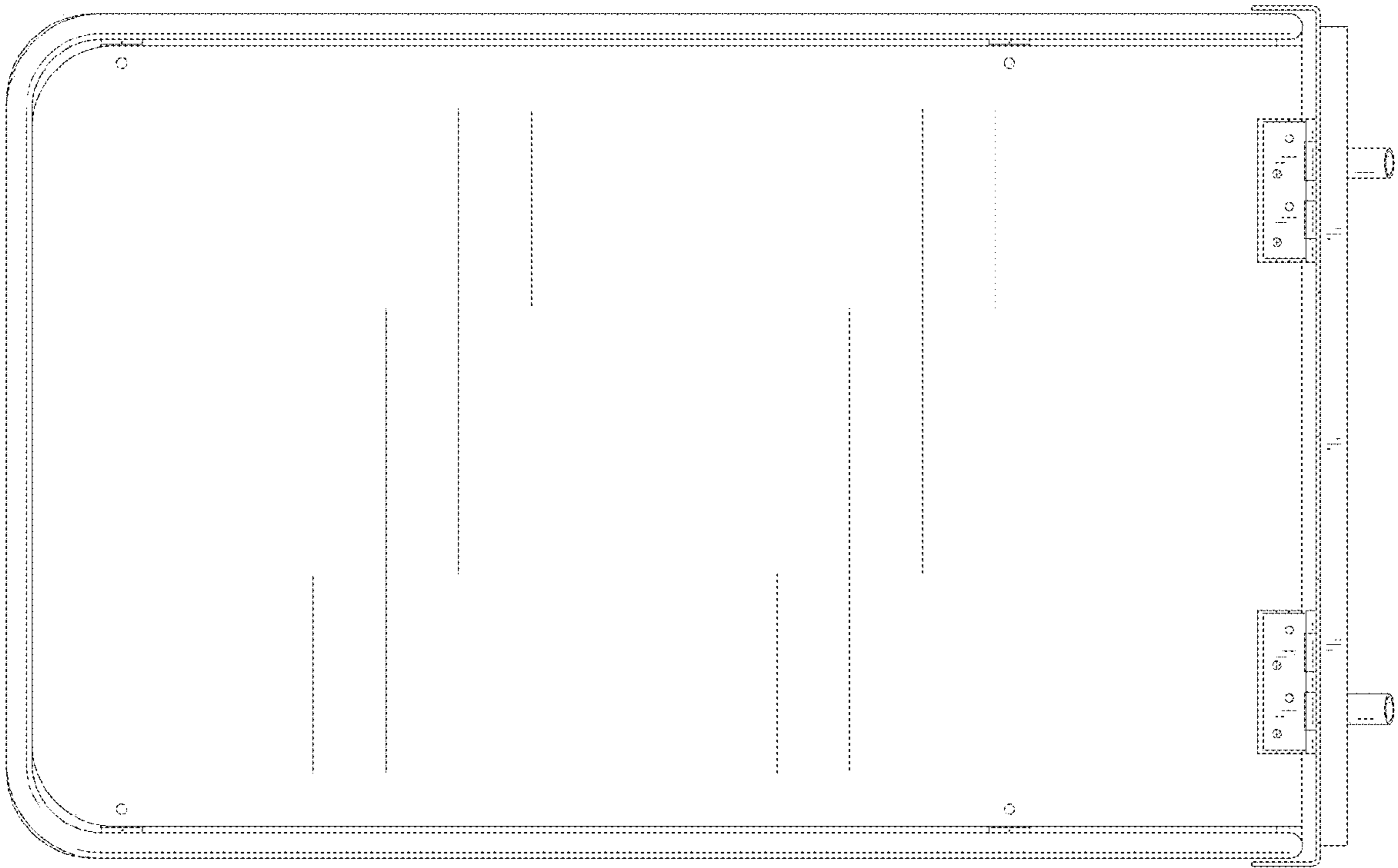


FIG. 7

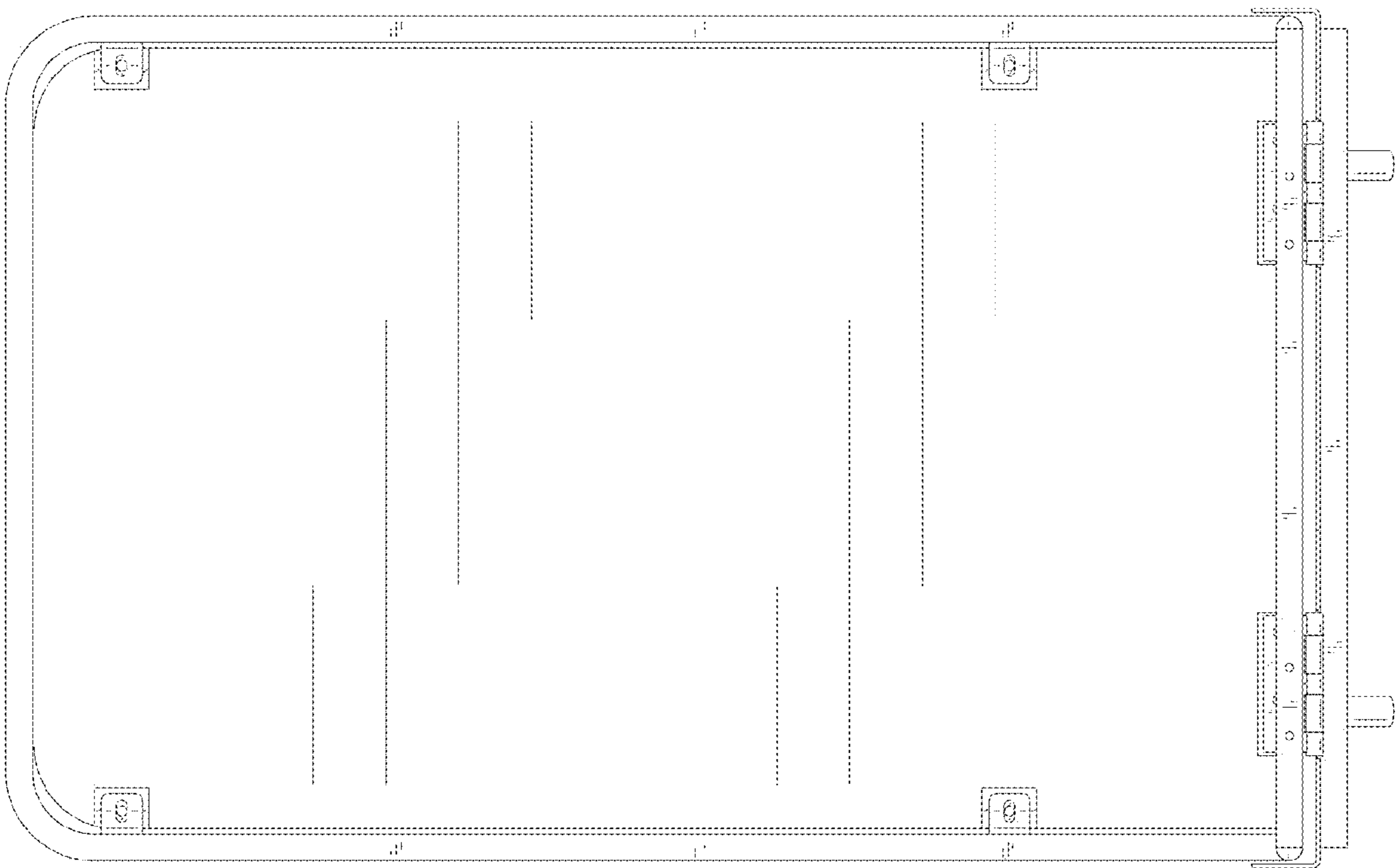


FIG. 8



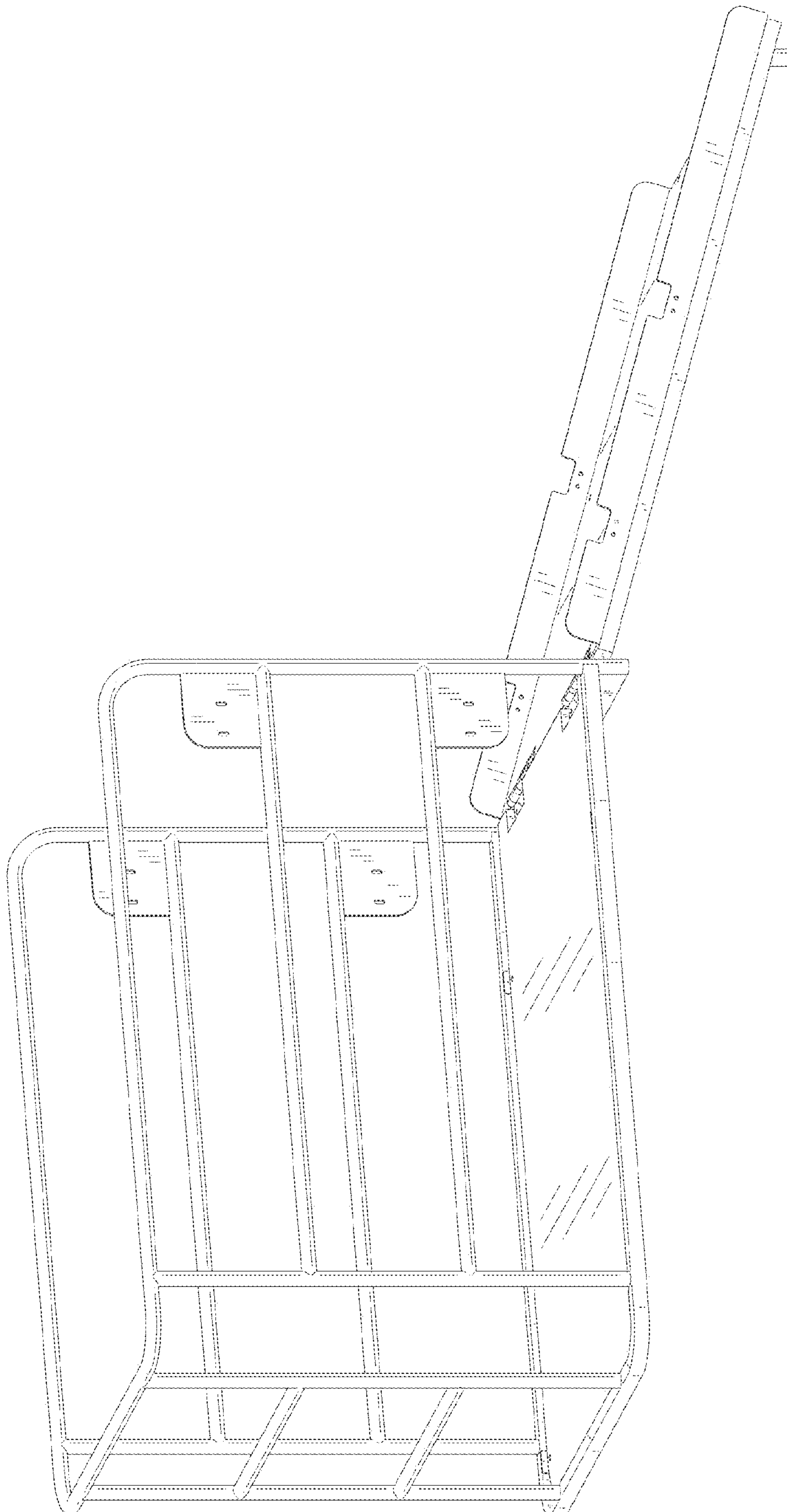


FIG. 9