



US00D987547S

(12) **United States Design Patent** (10) **Patent No.:** **US D987,547 S**
Mazour et al. (45) **Date of Patent:** **** May 30, 2023**

(54) **ROOF FOR VEHICLE**
(71) Applicant: **Polaris Industries Inc.**, Medina, MN (US)
(72) Inventors: **Scott T. Mazour**, Detroit Lakes, MN (US); **James A J Holroyd**, Stillwater, MN (US); **Carl D. Christensen**, North Branch, MN (US); **Brian T. Utter**, Greenbush, MN (US); **Ian M. Dunn**, Chanhassen, MN (US)

3,348,877 A 10/1967 Caramanna
3,622,197 A 11/1971 Vogelei et al.
3,964,782 A 6/1976 Pernicka et al.
4,017,117 A 4/1977 Eggert, Jr.
4,120,529 A 10/1978 Chrysler
4,138,155 A 2/1979 Chrysler
4,287,654 A 9/1981 Chrysler
4,336,964 A 6/1982 Pivar
4,632,448 A 12/1986 Yagasaki et al.
4,684,167 A 8/1987 Newmayer
RE32,496 E 9/1987 Chrysler

(Continued)

(73) Assignee: **Polaris Industries Inc.**, Medina, MN (US)

FOREIGN PATENT DOCUMENTS

CA 171376 S 10/2018

(**) Term: **15 Years**

OTHER PUBLICATIONS

(21) Appl. No.: **35/002,190**

Examiner's Report issued by the Canadian Intellectual Property Office, dated Feb. 6, 2018, for corresponding Canadian Patent Application No. 171376; 3 pages.

(22) Filed: **Dec. 6, 2021**

(Continued)

(80) **Hague Agreement Data**

Int. Filing Date: **Dec. 6, 2021**
Int. Reg. No.: **DM/219708**
Int. Reg. Date: **Dec. 6, 2021**
Int. Reg. Pub. Date: **Apr. 1, 2022**

Primary Examiner — Katrina A Betton
(74) *Attorney, Agent, or Firm* — Faegre Drinker Biddle & Reath LLP

(51) **LOC (14) Cl.** **12-16**

(52) **U.S. Cl.**
USPC **D12/404**

(57) **CLAIM**

The ornamental design for a roof for vehicle, as shown and described.

(58) **Field of Classification Search**
USPC D12/401-405; D6/610, 621, 611, 596, D6/601, 602, 603, 615, 617; D7/332, D7/334-337
CPC B65D 85/68; B65D 31/16; B65D 33/02; B60R 5/04; B60R 5/045; B60P 7/04
See application file for complete search history.

DESCRIPTION

- 1. Roof for vehicle
- 1.1 : Perspective
- 1.2 : Front
- 1.3 : Back
- 1.4 : Left
- 1.5 : Right
- 1.6 : Top
- 1.7 : Bottom

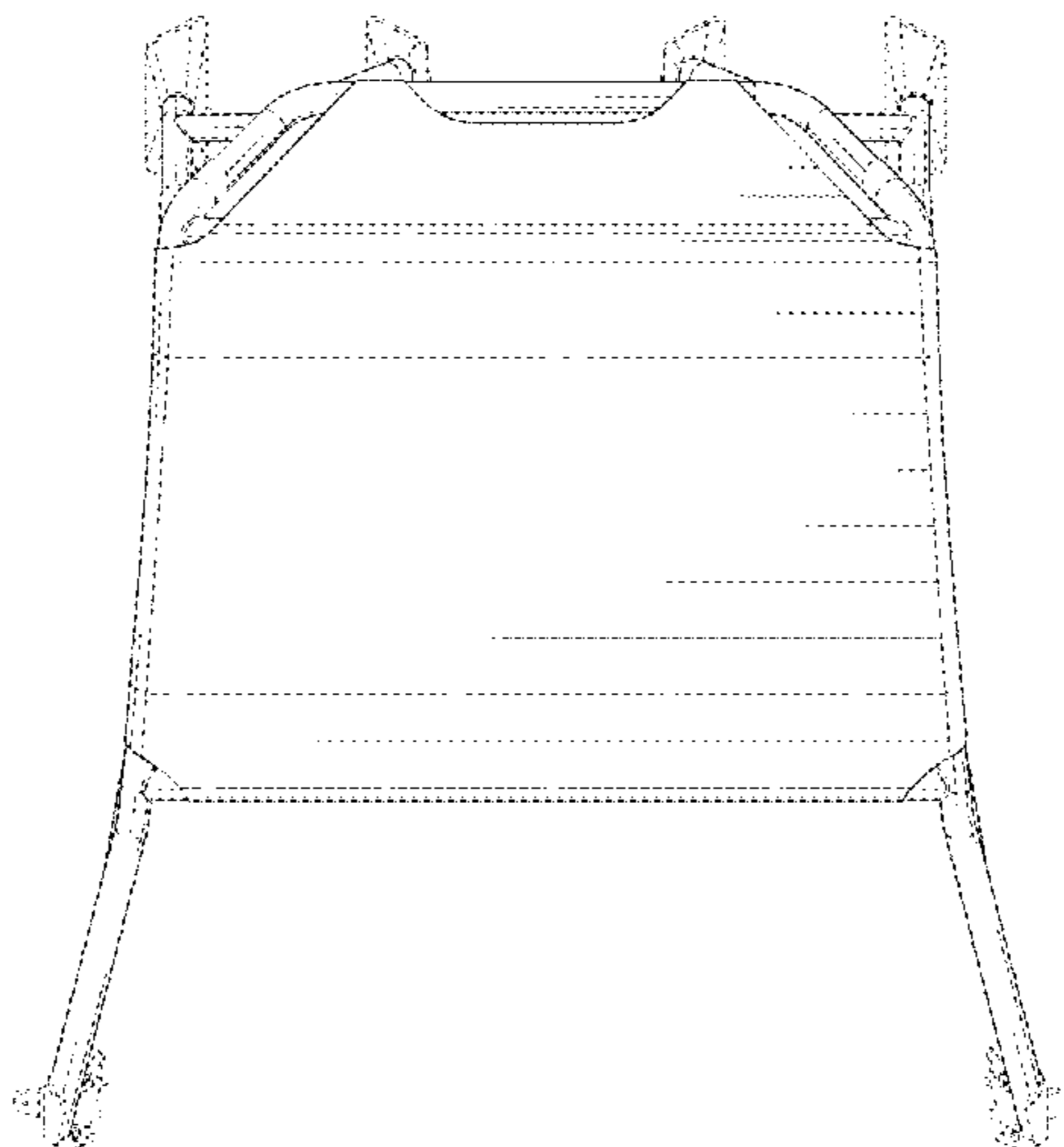
The portions of the roof for vehicle shown in broken lines form no part of the claimed design.

(56) **References Cited**

U.S. PATENT DOCUMENTS

1,603,182 A 10/1926 Aborn
2,938,749 A 5/1960 Podolan et al.
2,973,221 A 2/1961 Blackman

1 Claim, 7 Drawing Sheets



(56)

References Cited

U.S. PATENT DOCUMENTS

4,728,251 A 3/1988 Takashima et al.
 D306,170 S 2/1990 Takagi et al.
 4,973,082 A 11/1990 Kincheloe
 5,013,082 A 5/1991 Landmesser
 5,035,463 A 7/1991 Kato et al.
 5,242,208 A 9/1993 Ohya
 5,299,850 A 4/1994 Kaneko et al.
 5,611,380 A 3/1997 Landy
 D402,373 S 12/1998 James
 5,992,918 A 11/1999 Gobart et al.
 6,076,577 A 6/2000 Ontaneda
 6,179,365 B1 1/2001 Hennessey
 6,186,584 B1 2/2001 Samuelson et al.
 6,231,109 B1 5/2001 Beaver
 6,309,013 B1 10/2001 Staltmayer et al.
 6,325,441 B1 12/2001 Ugolini
 6,398,295 B2 6/2002 Asai
 6,464,291 B2 10/2002 Hynds et al.
 7,090,279 B2 8/2006 Tahara
 7,137,660 B2 11/2006 Weddington et al.
 7,213,854 B2 5/2007 Dowdey et al.
 8,025,325 B1 9/2011 Carrier et al.
 8,104,524 B2 1/2012 Manesh et al.
 D655,236 S 3/2012 Sanschagrín
 D655,668 S 3/2012 Levorato et al.
 8,176,957 B2 5/2012 Manesh et al.
 D670,617 S 11/2012 Tako et al.
 D671,452 S 11/2012 Fernandez Isoird
 8,387,734 B2 3/2013 Krossschell et al.
 8,449,015 B2 5/2013 Brown et al.
 D689,396 S 9/2013 Wang
 D711,778 S 8/2014 Chun et al.
 8,794,692 B1 8/2014 Burke
 8,882,170 B2 11/2014 Brown, Jr.
 8,882,186 B2 11/2014 Matsumoto et al.
 D724,997 S 3/2015 Brew et al.
 9,004,214 B2 4/2015 Holroyd et al.
 9,045,025 B1 6/2015 Greene et al.
 D758,281 S 6/2016 Galloway
 9,422,020 B2 8/2016 Kim
 D767,444 S 9/2016 Chun et al.
 D783,059 S 4/2017 Okuyama et al.
 9,688,336 B2 6/2017 Lafleur
 9,751,388 B2 9/2017 Roth
 D801,855 S 11/2017 Wen et al.
 D803,762 S * 11/2017 Greenblatt D12/402
 D826,119 S 8/2018 Lu
 10,179,504 B2 1/2019 Holroyd et al.
 10,272,748 B2 4/2019 Shin
 D885,302 S * 5/2020 Sprowl D21/561
 D898,647 S * 10/2020 Chan D12/196
 D903,580 S * 12/2020 Austin D12/404
 D905,616 S * 12/2020 Badillo D12/412
 D906,945 S * 1/2021 Dooling D12/409
 10,994,592 B2 5/2021 Holroyd et al.
 D921,568 S * 6/2021 Xia D12/412
 D921,772 S * 6/2021 Hagler D12/406
 D926,666 S * 8/2021 Martin D12/401
 D931,385 S * 9/2021 Sprowl D21/561
 D947,096 S * 3/2022 Rudolph D12/401
 11,292,541 B2 * 4/2022 Dooling B62J 19/00
 D951,849 S * 5/2022 Huelsen A47D 15/00
 D12/401

2005/0037892 A1 2/2005 Nakatani et al.

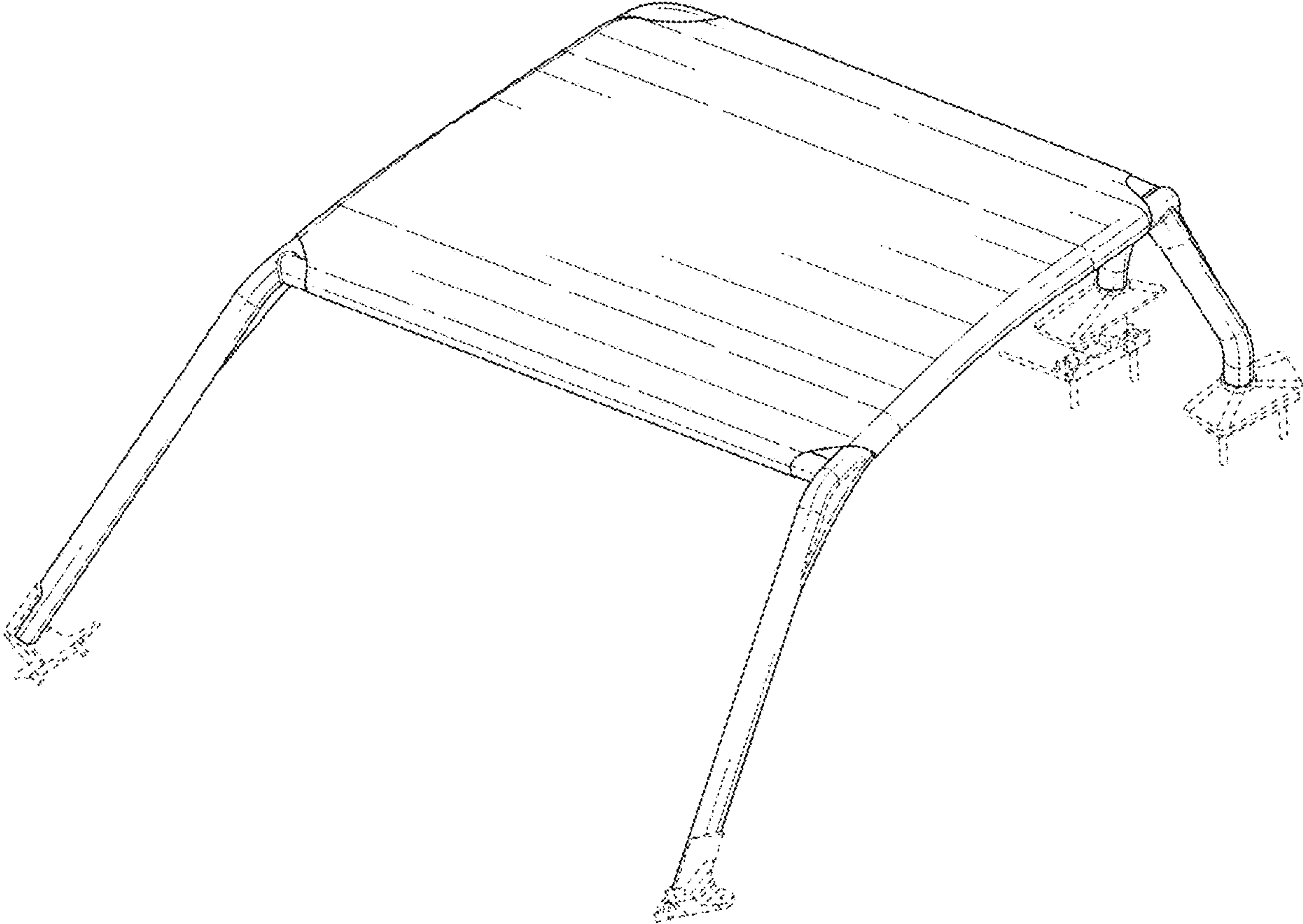
2005/0093331 A1 5/2005 Moskos et al.
 2007/0120395 A1 5/2007 Geyrhofer et al.
 2007/0126260 A1 6/2007 Geyrhofer et al.
 2007/0158974 A1 7/2007 Woodhouse et al.
 2007/0245525 A1 10/2007 Hoffman
 2007/0283535 A1 12/2007 Hoffman
 2008/0238065 A1 10/2008 Hart et al.
 2010/0259067 A1 10/2010 Bell et al.
 2011/0314953 A1 12/2011 Nakamura et al.
 2014/0044576 A1 2/2014 Geisland et al.
 2014/0288763 A1 9/2014 Bennett et al.
 2015/0047917 A1 2/2015 Burt et al.
 2015/0210163 A1 7/2015 Murakawa et al.
 2016/0032625 A1 2/2016 Suzuki
 2016/0046241 A1 2/2016 Crismon et al.
 2016/0109858 A1 4/2016 Oetken et al.
 2017/0267078 A1 9/2017 Murray
 2017/0334268 A1 11/2017 Holroyd et al.
 2018/0178677 A1 6/2018 Swain et al.
 2018/0251014 A1 9/2018 Baccouche et al.
 2019/0111771 A1 4/2019 Holroyd et al.

OTHER PUBLICATIONS

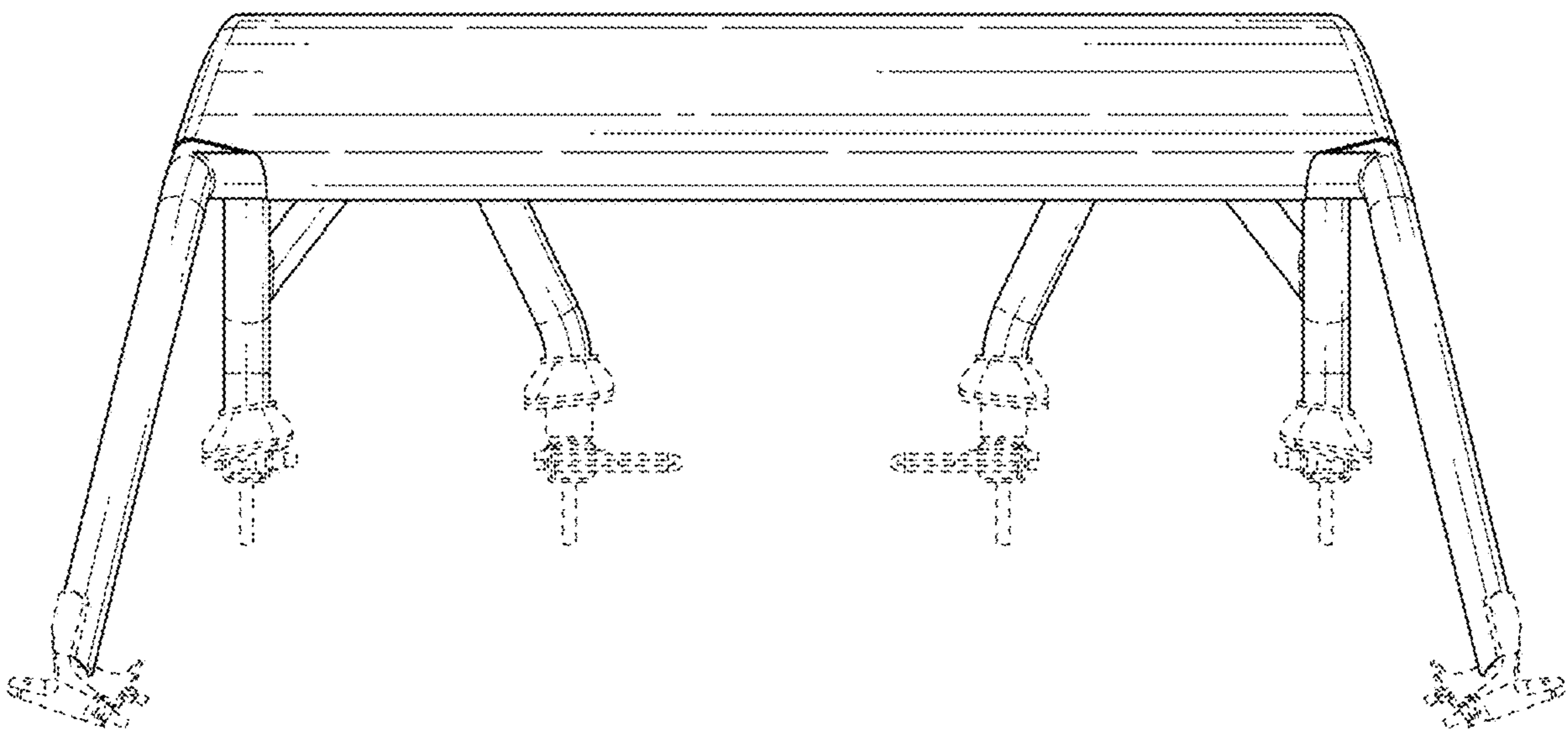
Examiner's Report issued by the Canadian Intellectual Property Office, dated Jul. 11, 2018, for corresponding Canadian Patent Application No. 171376; 1 page.
 Examiner's Report issued by the Canadian Intellectual Property Office, dated Jun. 15, 2017, for related Canadian patent application No. 171376; 9 pages.
 Madstad Stinger Roof System for the Polaris Slingshot, downloaded from the Internet on May 17, 2016; <http://www.madstad.com/s.nl/sc.7/category.17020/.f>, 3 pages.
 MadStad Stiuger Roof-Polaris Slingshot Forum, dated Oct. 24, 2015, www.slingshotforums.com; 11 pages.
 New KTM X-Bow GT4 Coupe Breaks Cover, www.dailysportscar.com, Apr. 3, 2015; 5 pages.
 Polaris Slingshot Panoramic Roof Top by Fab Factory, www.slingmods.com, copyright 2016; 7 pages, Jan. 1.
 Polaris Slingshot Panoramic Roof Top by Fab Factory, www.slingmods.com/polaris-slingshot-panoramic-top; copyright 2016, 8 pages, Jan. 1.
 Slinglines Slingshot-Roof Enclosure for Polaris, www.slinglines.com, copyright 2016; 5 pages, Jan. 1.
 Slingshot Only, Bullet Speed V Back Top for the Polaris Slingshot, downloaded from the Internet on May 17, 2016; <http://slingshotonly.com/polaris-slingshot-accessories/polaris-slingshot-bullet-speed-v-back-top/>, 5 pages.
 Twist Custom Tops—Twist Dynamics, downloaded from the Internet on May 17, 2016; <http://twis.mybigcommerce.com/twist-custom-tops/>, 2 pages.
 Twist Dynamics, copyright 2015, www.twistdynamics.com; 2 pages, Jan. 1.
 Twist Gullwing (Pre-Order)—Twist Dynamics, downloaded from the Internet on May 17, 2016; <http://twist.mybigcommerce.com/twist-gullwing-pre-order/>, 2 pages.
 Slingshade, available at <https://web.archive.org/web/20191229040519/https://slingshot.polaris.com/en-us/shop/accessories/functional/slingshade/>; 10 pages; available on at least Dec. 29, 2019.

* cited by examiner

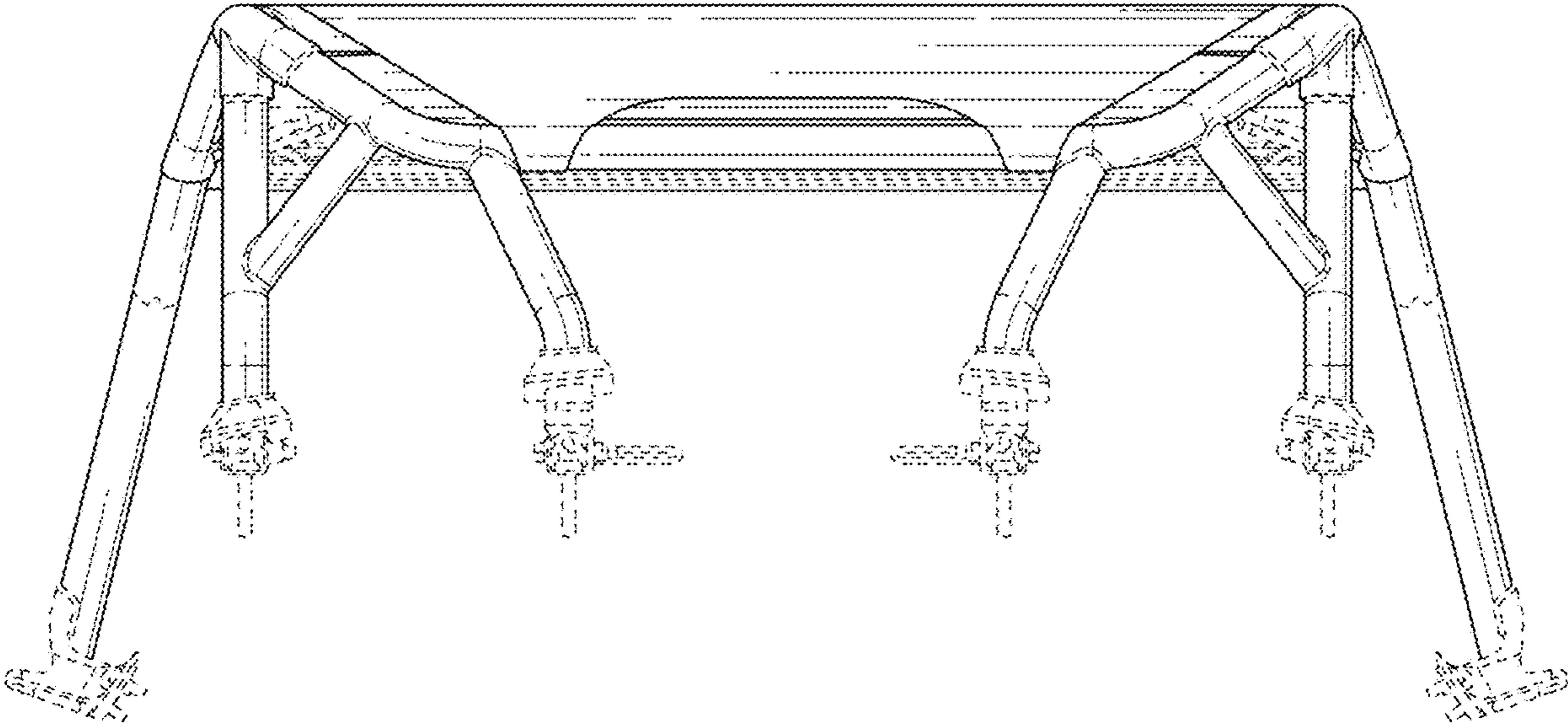
1.1



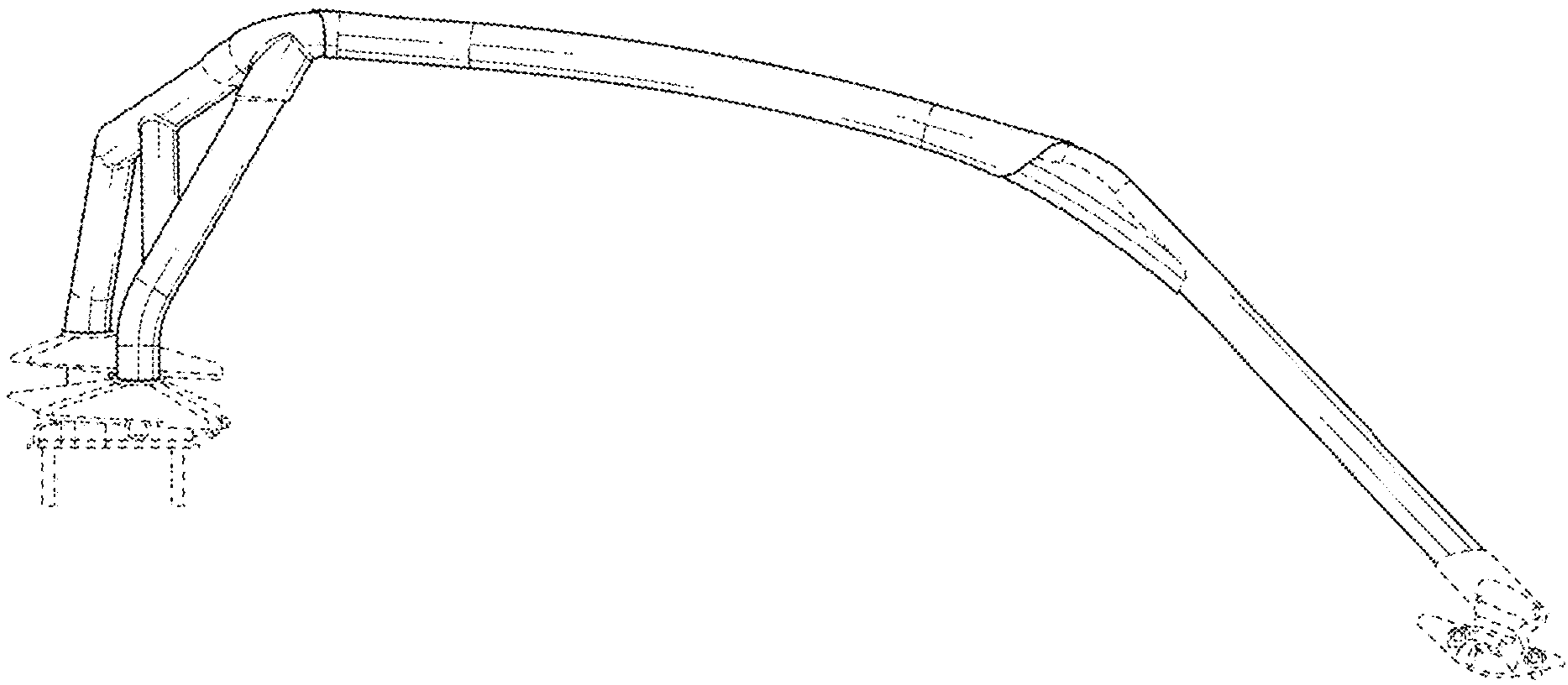
1.2



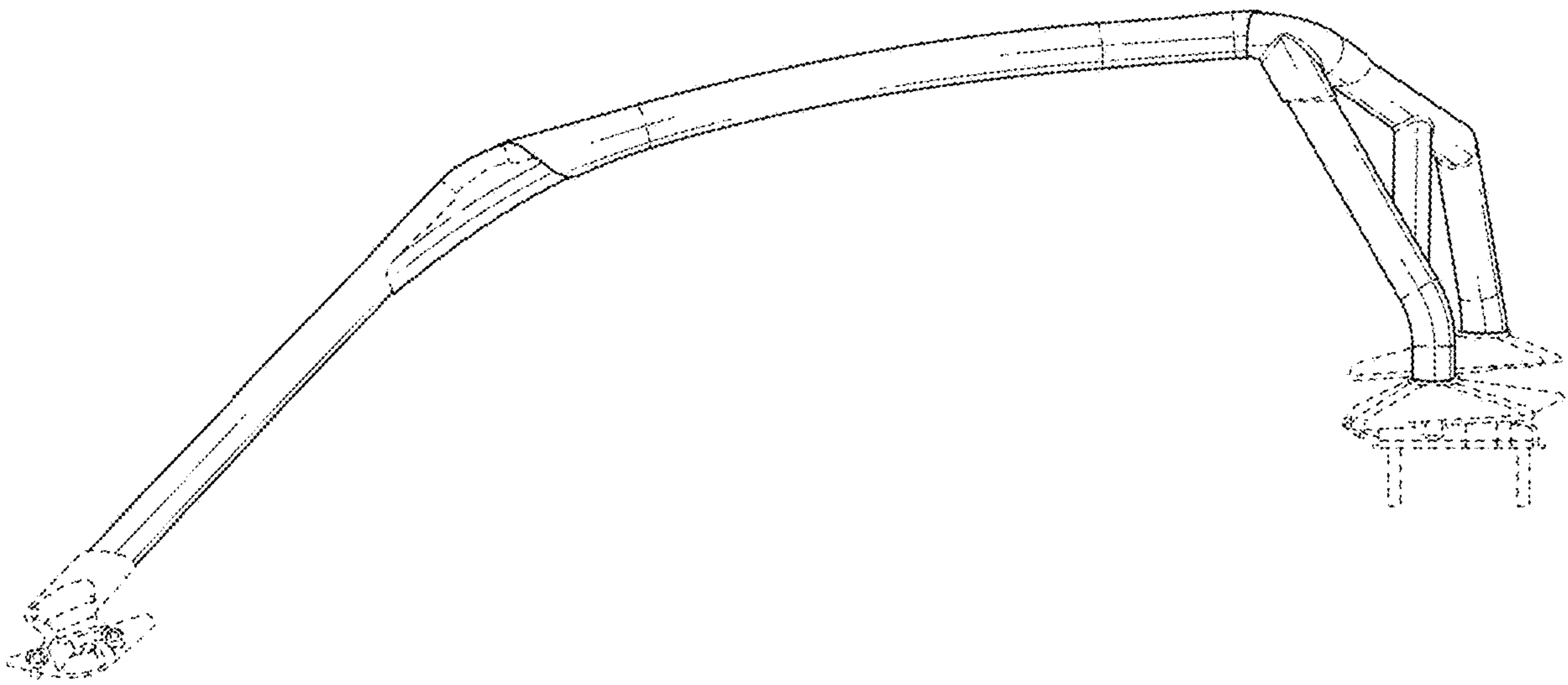
1.3



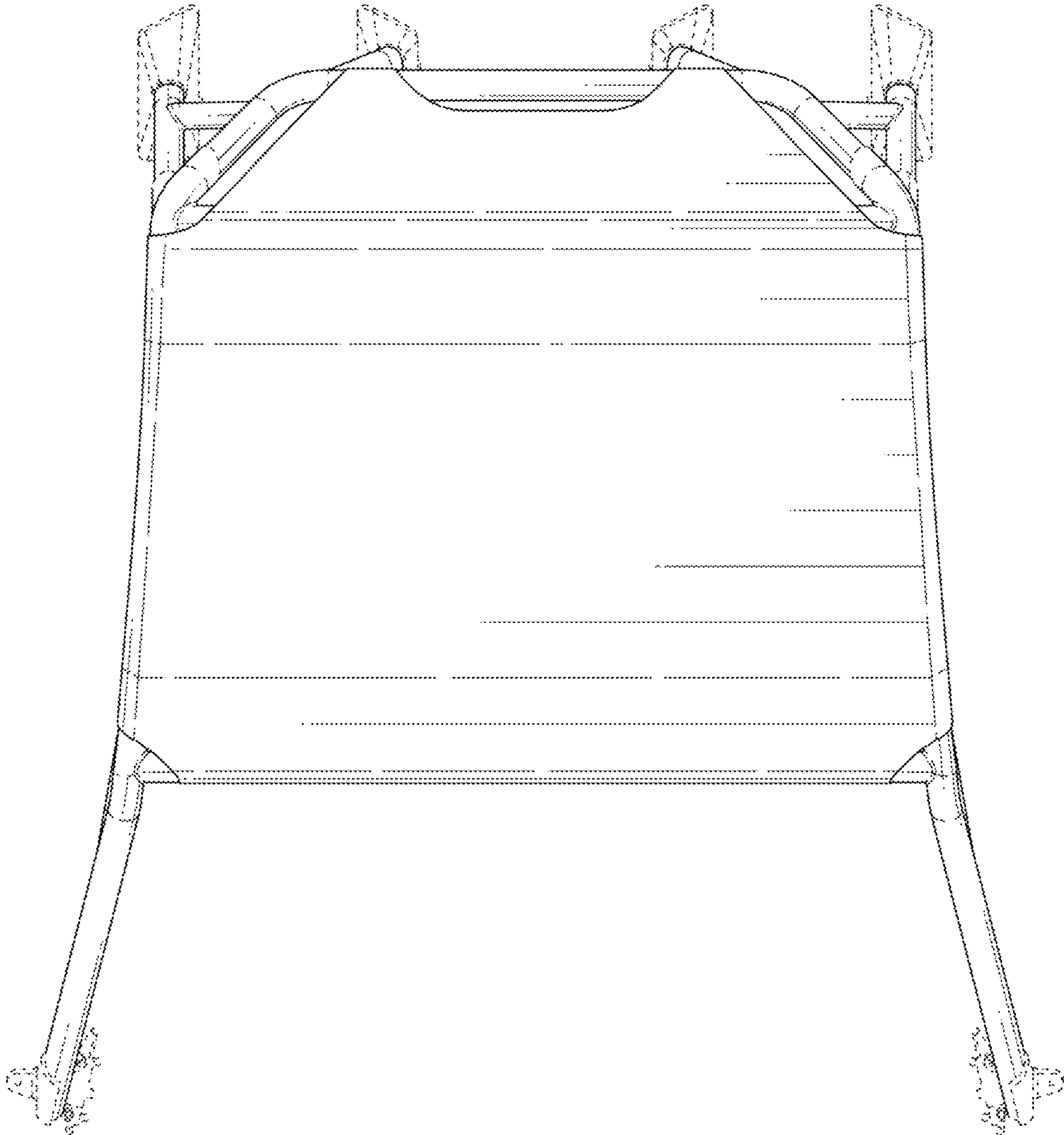
1.4



1.5



1.6



1.7

