



US00D987546S

(12) **United States Design Patent** (10) **Patent No.:** **US D987,546 S**
Loveland et al. (45) **Date of Patent:** **** May 30, 2023**

- (54) **AIRCRAFT LANDING GEAR**
- (71) Applicant: **Bell Helicopter Textron Inc.**, Fort Worth, TX (US)
- (72) Inventors: **Steven Loveland**, Fort Worth, TX (US); **Allen Brittain**, Flower Mound, TX (US); **Paul Charles Griffiths**, Roanoke, TX (US)
- (73) Assignee: **Textron Innovations Inc.**, Providence, RI (US)
- (**) Term: **15 Years**
- (21) Appl. No.: **29/675,588**
- (22) Filed: **Jan. 3, 2019**
- (51) **LOC (14) Cl.** **12-07**
- (52) **U.S. Cl.**
USPC **D12/345**
- (58) **Field of Classification Search**
USPC D12/1-4, 16.1, 319-345, 400, 159, 160, D12/190, 196, 203; D21/436-453
CPC B64C 27/20; B64C 2201/024; B64C 2201/104; B64C 2201/021; B64C 2201/141; B64C 25/52
See application file for complete search history.

(56) **References Cited**

U.S. PATENT DOCUMENTS

D708,273 S *	7/2014	Kouyoumjian	D21/442
D751,953 S *	3/2016	Hayes	D12/167
D768,539 S *	10/2016	Lee	D21/441
D785,541 S *	5/2017	Du	D12/328
D806,636 S *	1/2018	Lee	D12/345
D822,579 S *	7/2018	Lienhard	D12/328
D847,716 S *	5/2019	Kim	D12/203
D875,602 S *	2/2020	Xu	D12/328
D887,948 S *	6/2020	Loveland	D12/328
D903,577 S *	12/2020	Clark	D12/326
D912,601 S *	3/2021	Morrison	D12/345
D919,535 S *	5/2021	Walendowsky	D12/203

D921,550 S *	6/2021	Roh	D12/203
D923,545 S *	6/2021	Li	D12/196
D928,071 S *	8/2021	Löwenstein	D12/327
D931,776 S *	9/2021	Yung	D12/203
2013/0248650 A1 *	9/2013	Gorlich	B64C 25/52 244/108
2020/0216170 A1 *	7/2020	Loveland	B64C 25/34

* cited by examiner

Primary Examiner — Marissa J Cash

(74) *Attorney, Agent, or Firm* — Lightfoot & Alford PLLC

(57) **CLAIM**

The ornamental design for an aircraft landing gear, as shown and described.

DESCRIPTION

FIG. 1 is a bottom perspective view of the aircraft landing gear.

FIG. 2 is a front elevational view of the landing gear of FIG. 1.

FIG. 3 is a rear elevational view of the landing gear of FIG. 1.

FIG. 4 is a left side elevational view of the landing gear of FIG. 1.

FIG. 5 is a right side elevational view of the landing gear of FIG. 1.

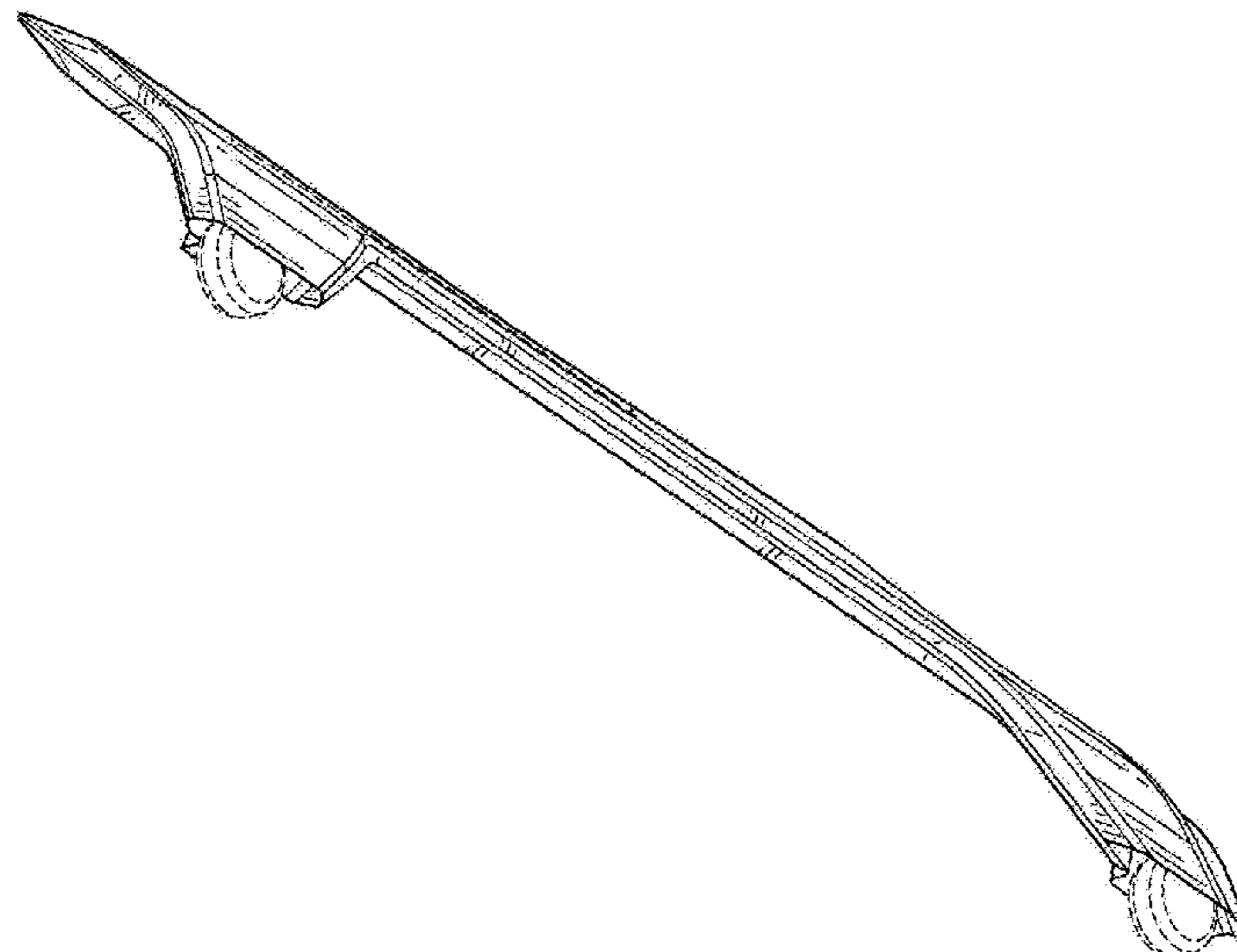
FIG. 6 is a top plan view of the landing gear of FIG. 1.

FIG. 7 is a bottom plan view of the landing gear of FIG. 1; and,

FIG. 8 is a top perspective view of the aircraft landing gear shown in an environment of use.

The broken lines shown in FIGS. 1-7 illustrate portions of the aircraft landing gear that form no part of the claimed design; the additional broken lines shown in FIG. 8 are for purposes of illustrating environmental subject matter only and forms no part thereof. The right side not shown is understood to be a mirror image of the left side shown in FIGS. 1-8.

1 Claim, 5 Drawing Sheets



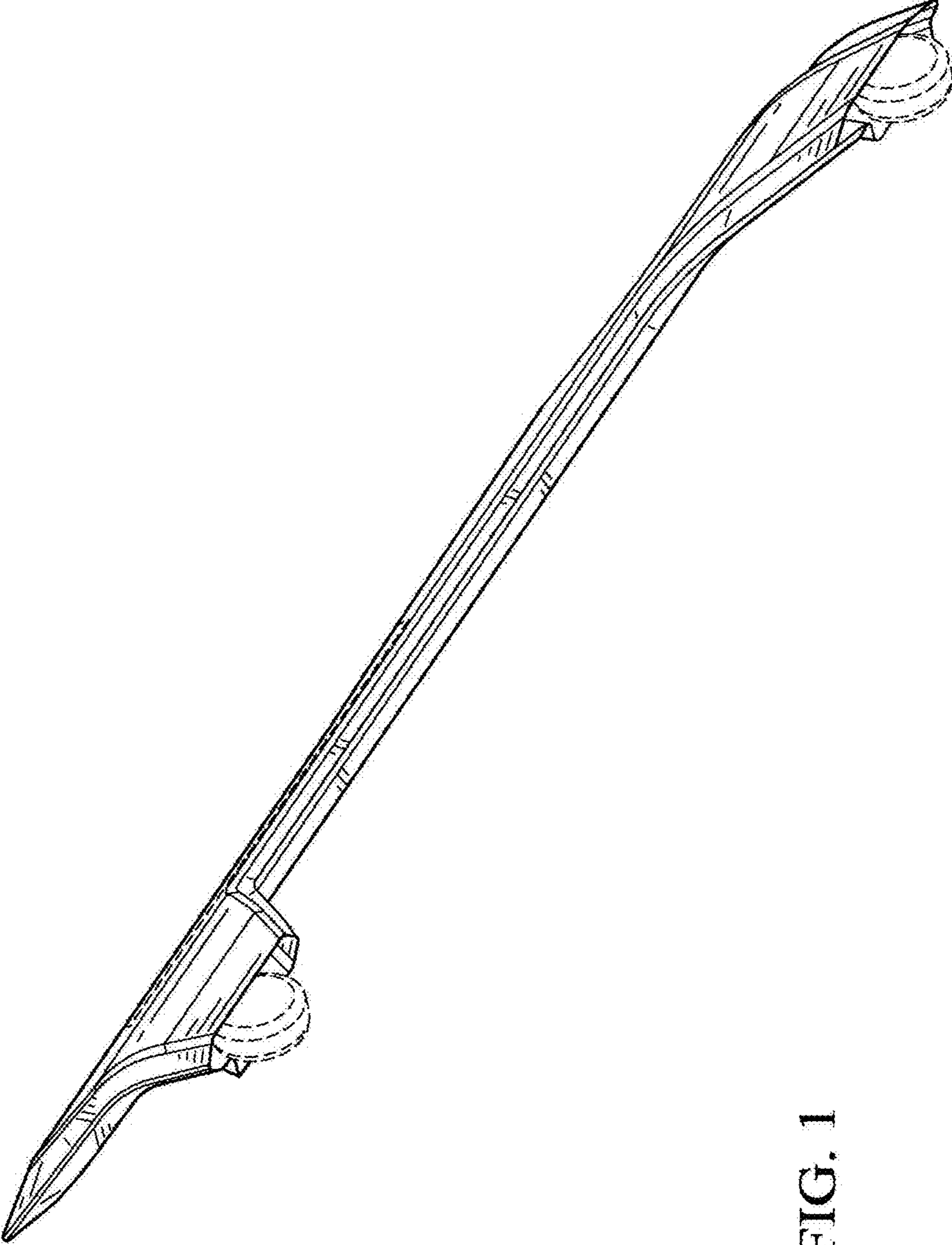


FIG. 1

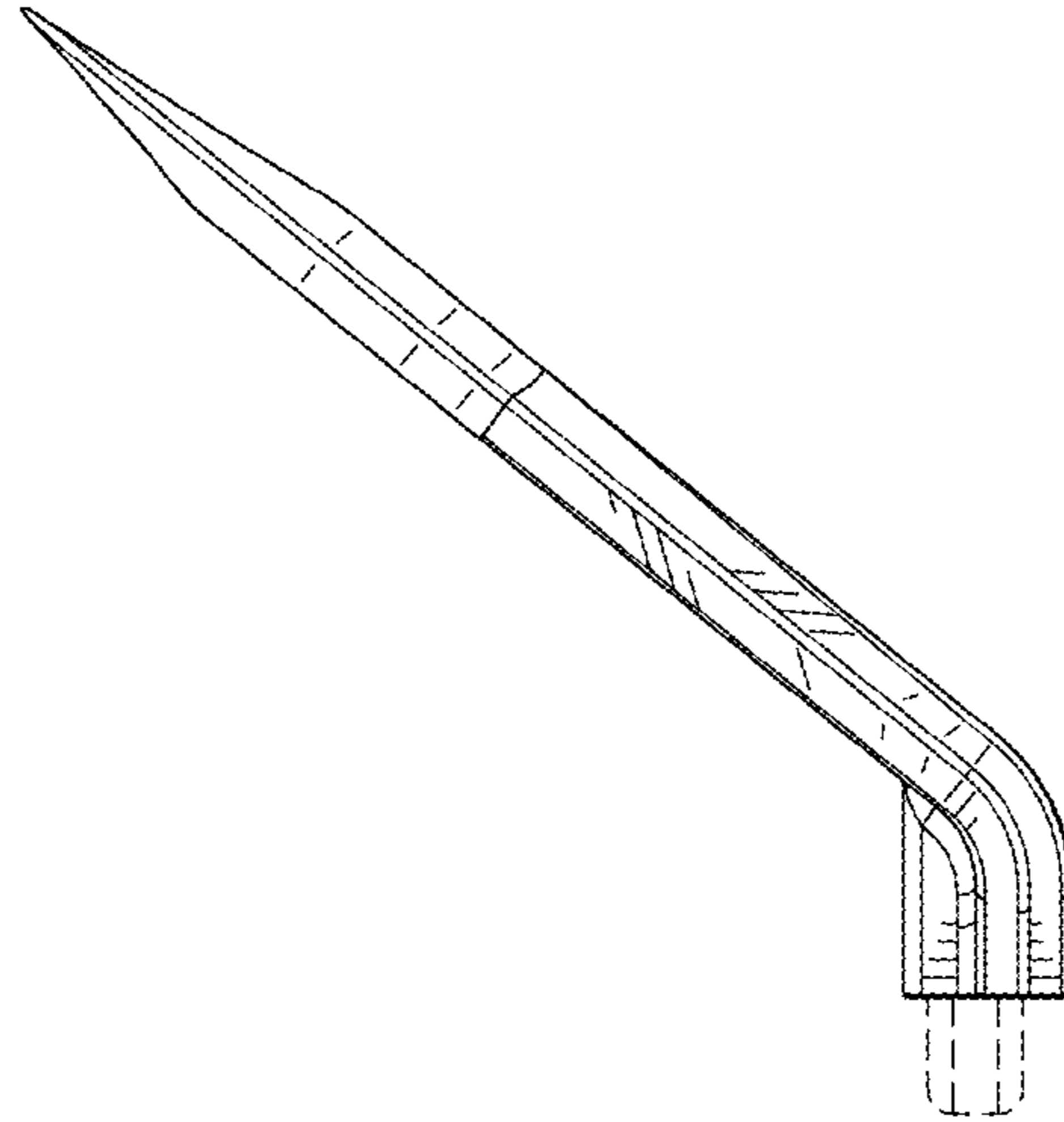


FIG. 2

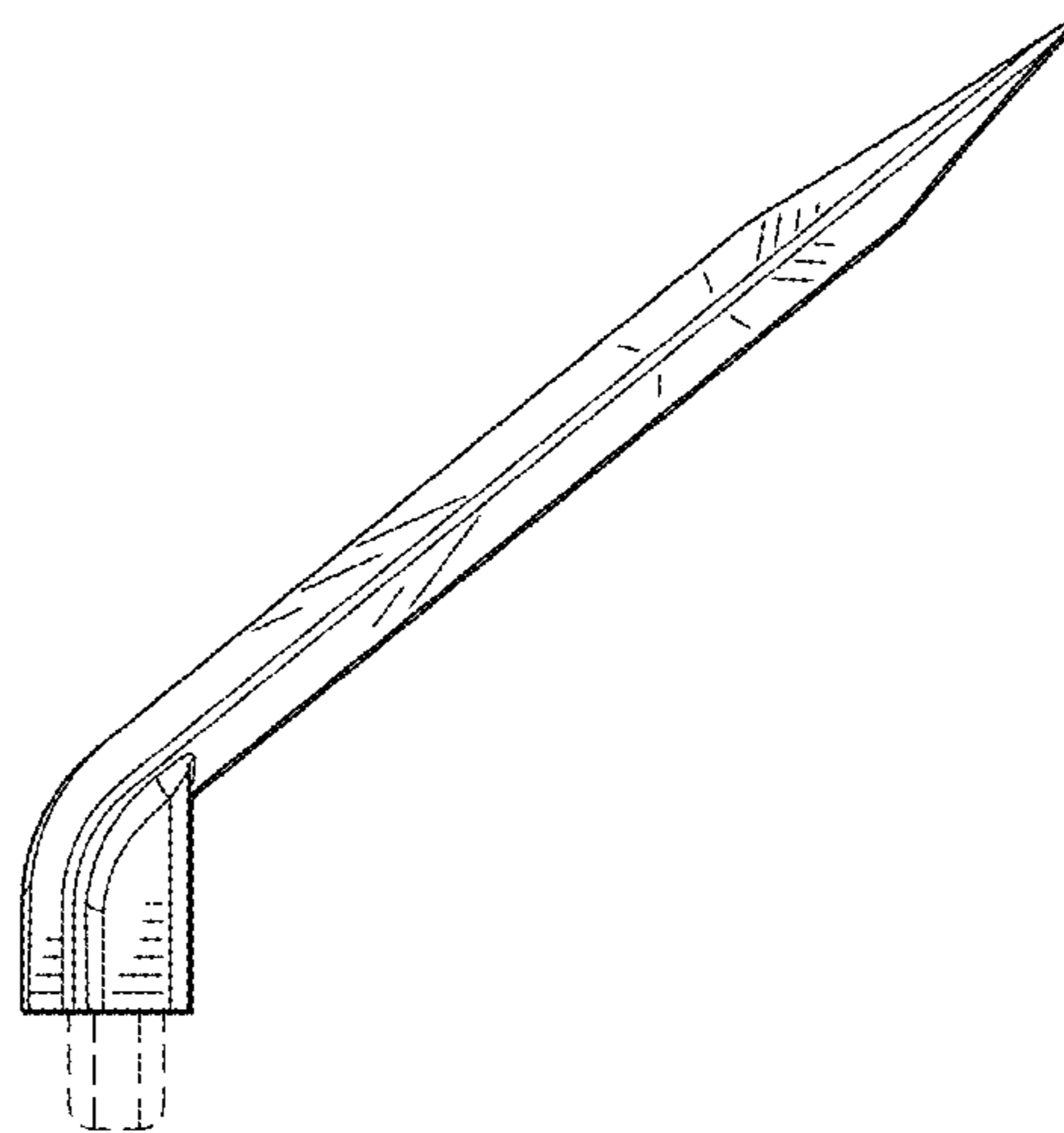


FIG. 3

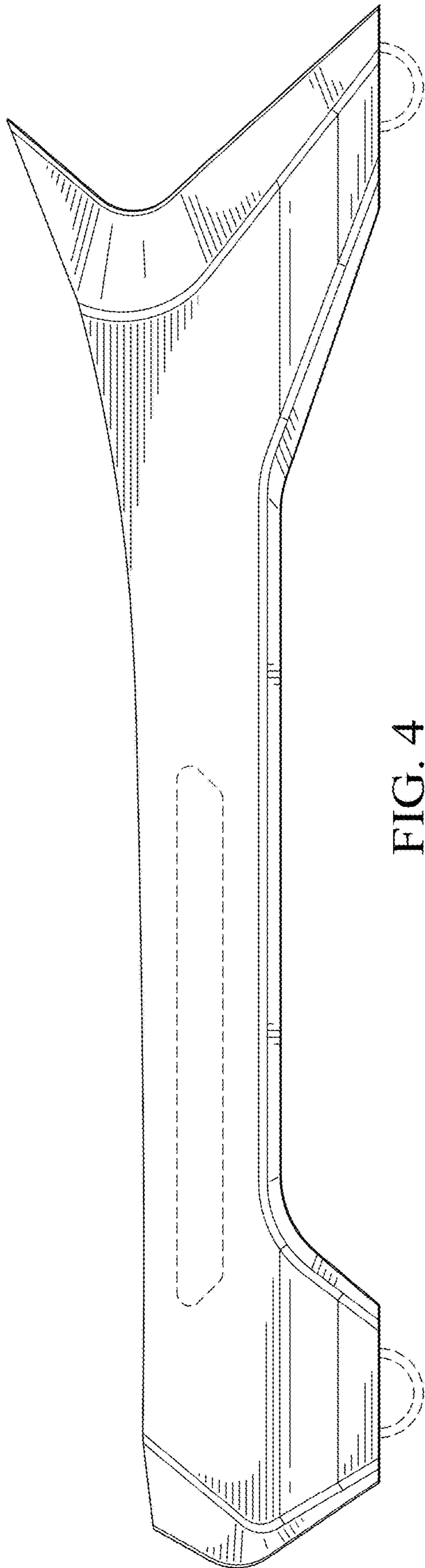


FIG. 4

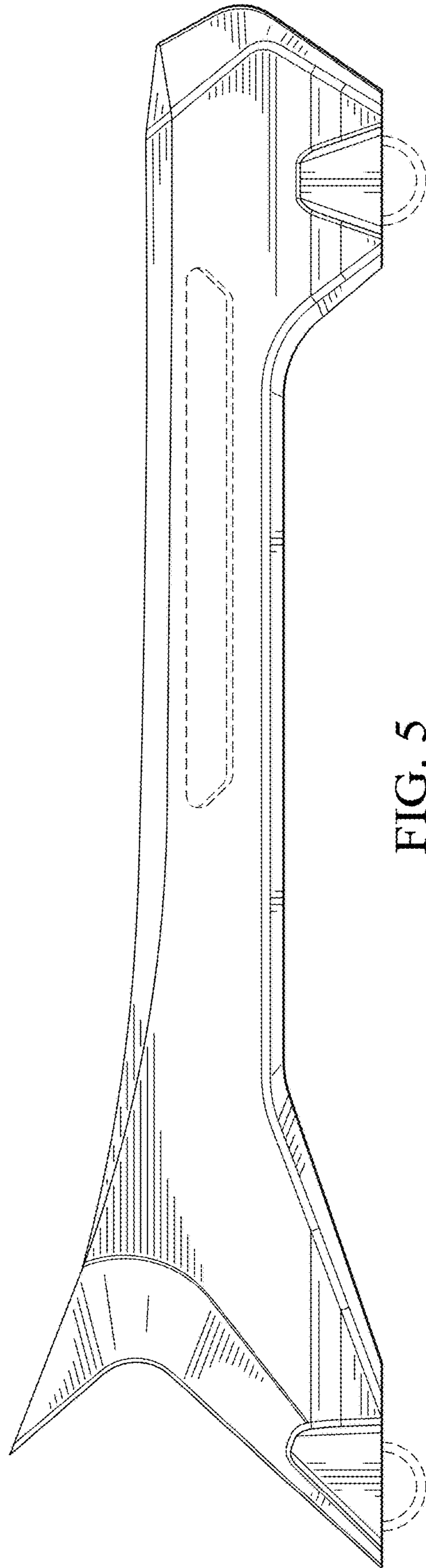


FIG. 5

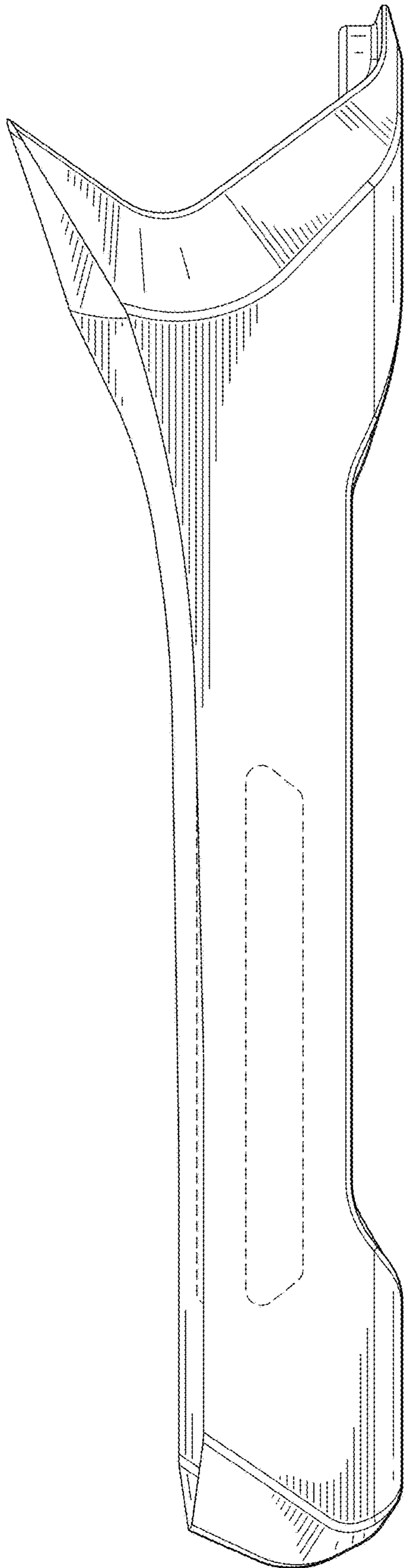


FIG. 6

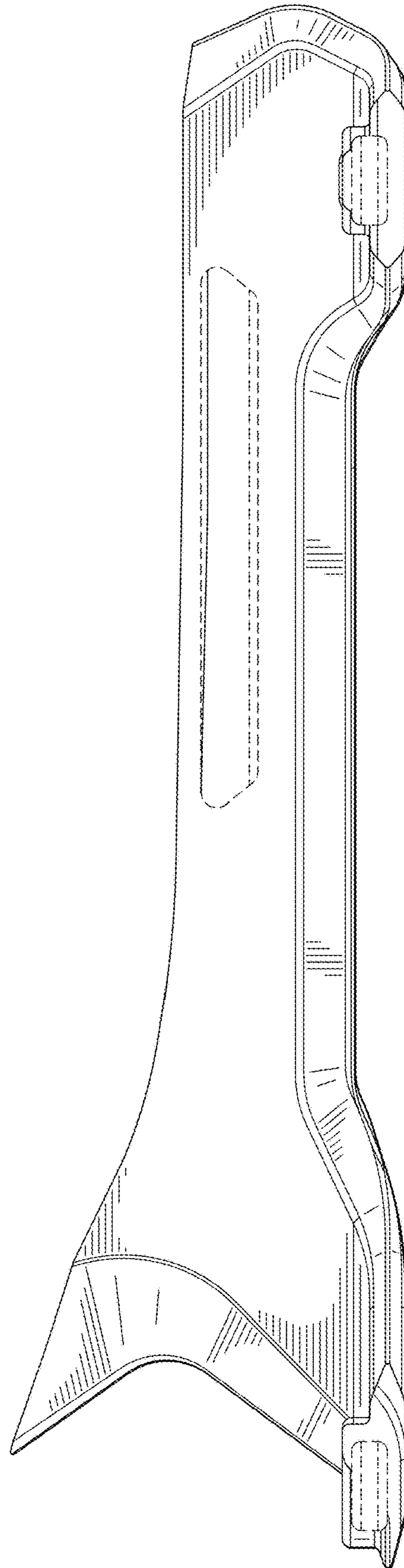


FIG. 7

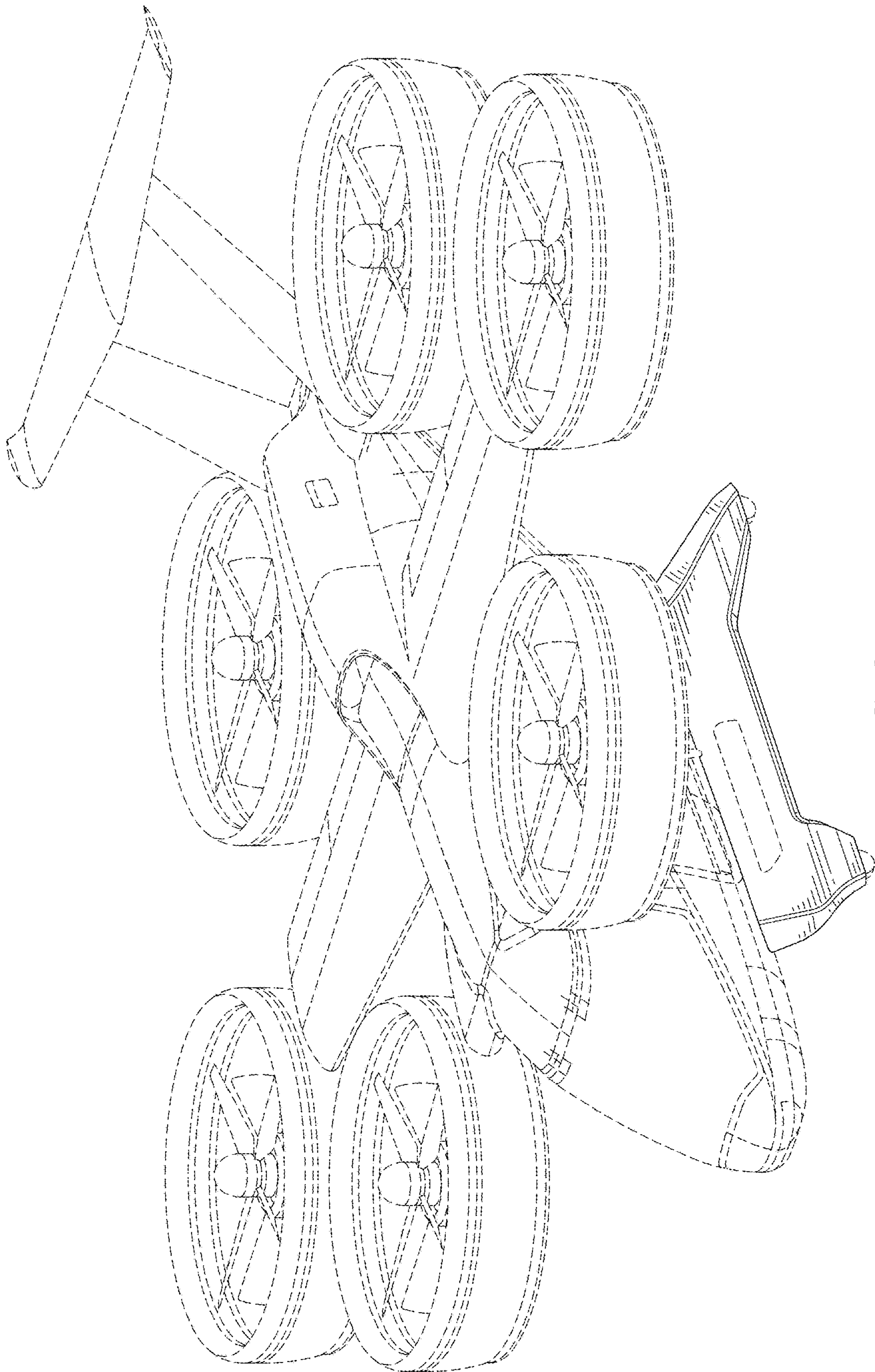


FIG. 8