



US00D987544S

(12) **United States Design Patent** (10) **Patent No.:** **US D987,544 S**
Mariman et al. (45) **Date of Patent:** **** May 30, 2023**

(54) **TANK FOR WORK VEHICLE**
(71) Applicant: **Deere & Company**, Moline, IL (US)
(72) Inventors: **Nathan A. Mariman**, Davenport, IA (US); **Robert J. Ferris**, LeClaire, IA (US); **David A. Scott**, Bettendorf, IA (US)
(73) Assignee: **DEERE & COMPANY**, Moline, IL (US)
(**) Term: **15 Years**

<https://spudman.com/news/john-deere-announces-new-sprayers-updated-planters-8-series-tractors/> (Year: 2021).*
(Continued)

Primary Examiner — Darlington Ly
(74) *Attorney, Agent, or Firm* — Klintworth & Rozenblat IP LLP

(57) **CLAIM**
The ornamental design for a tank for work vehicle, as shown and described.

(21) Appl. No.: **29/771,676**
(22) Filed: **Feb. 24, 2021**
(51) **LOC (14) Cl.** **12-06**
(52) **U.S. Cl.**
USPC **D12/218**
(58) **Field of Classification Search**
USPC D12/110, 114, 126, 197, 218; D15/15, D15/17, 23, 28, 33; D23/202, 203, 204, D23/205
CPC H04B 1/3888; Y02E 60/10; H02J 7/0042; H02J 7/0044; H04M 1/185; A45C 2011/002; A45C 13/008; H01M 50/20; B60K 15/03504; B60K 15/035; B60K
(Continued)

DESCRIPTION

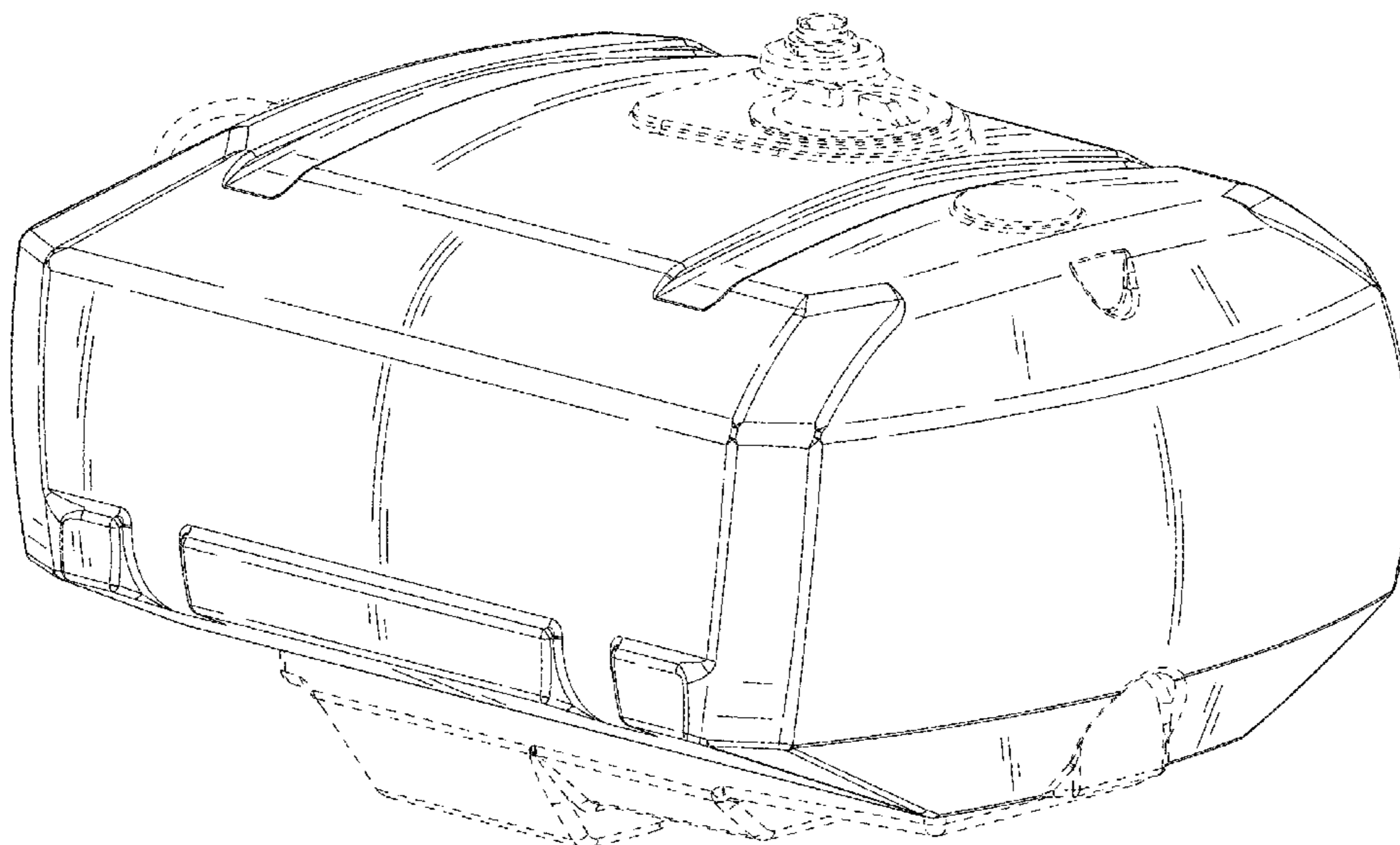
FIG. 1 is a rear, left perspective view of a tank for work vehicle according to our new design;
FIG. 2 is a rear elevational view thereof;
FIG. 3 is a front elevational view thereof;
FIG. 4 is a left side elevational view thereof;
FIG. 5 is a right side elevational view thereof;
FIG. 6 is a top plan view thereof;
FIG. 7 is a bottom plan view thereof;
FIG. 8 is a rear, left perspective view of a tank for work vehicle according to another embodiment of our new design;
FIG. 9 is a rear elevational view thereof;
FIG. 10 is a front elevational view thereof;
FIG. 11 is a left side elevational view thereof;
FIG. 12 is a right side elevational view thereof;
FIG. 13 is a top plan view thereof;
FIG. 14 is a bottom plan view thereof;
FIG. 15 is a rear, left perspective view of a tank for work vehicle according to another embodiment of our new design;
FIG. 16 is a rear elevational view thereof;
FIG. 17 is a front elevational view thereof;
FIG. 18 is a left side elevational view thereof;
FIG. 19 is a right side elevational view thereof;
FIG. 20 is a top plan view thereof; and,
FIG. 21 is a bottom plan view thereof.
The dashed lines in the figures depict environment subject matter that forms no part of the claimed design.

(56) **References Cited**
U.S. PATENT DOCUMENTS
D419,844 S * 2/2000 McCombs D8/68
D425,915 S 5/2000 Truan et al.
(Continued)

OTHER PUBLICATIONS

John deere announces new sprayer available in Spudman.com Date First Available [Mar. 2, 2021], site visited on [Aug. 18, 2022 URL:

1 Claim, 21 Drawing Sheets



(58) **Field of Classification Search**
 CPC 15/03; B60K 15/04; B60K 15/073; B60K
 15/07; B60K 15/077; B60K 15/03177;
 B60K 2015/03118; B60K 2015/03059;
 B60K 15/067; B60K 15/03006; B60K
 2015/03151

See application file for complete search history.

(56) **References Cited**

U.S. PATENT DOCUMENTS

D427,206 S 6/2000 Johnson et al.
 D436,360 S * 1/2001 Murayama D15/7
 6,453,885 B1 * 9/2002 Short B60K 15/03177
 123/518
 D531,946 S 11/2006 Angelo et al.
 D543,995 S 6/2007 Tanaka et al.
 D559,868 S 1/2008 Nanlawala et al.
 D627,373 S 11/2010 Prickel et al.
 D629,426 S * 12/2010 Prickel D15/27
 D629,427 S 12/2010 Prickel et al.
 D631,068 S 1/2011 Prickel et al.
 D665,170 S * 8/2012 Lipfert D3/289
 D680,559 S 4/2013 Blunier et al.
 D687,866 S 8/2013 Thompson et al.
 D687,867 S 8/2013 Thompson et al.
 D693,856 S 11/2013 Thompson et al.
 D712,826 S * 9/2014 Marino D13/103
 D713,424 S 9/2014 Gonzales et al.
 D730,949 S * 6/2015 Thompson D15/28
 D730,950 S 6/2015 Wright et al.
 D730,951 S 6/2015 Thompson et al.
 D739,805 S 9/2015 Isono
 D740,018 S * 10/2015 Zhang D3/265
 D741,376 S 10/2015 Thompson et al.
 D742,429 S 11/2015 Thompson et al.

D758,458 S * 6/2016 Anderson D15/27
 D766,333 S 9/2016 Anderson et al.
 D813,914 S * 3/2018 Horsch D15/27
 D813,915 S 3/2018 Horsch
 D835,161 S 12/2018 Blackwell
 D849,801 S 5/2019 Dienst et al.
 D873,766 S * 1/2020 Anséhn D13/103
 D880,535 S 4/2020 Dienst et al.
 D884,750 S 5/2020 Leeb
 D900,885 S 11/2020 Kuboushek et al.
 D953,027 S * 5/2022 Kim D3/265
 D958,196 S * 7/2022 Mariman D15/27
 D959,141 S * 8/2022 Lee D3/294
 2014/0060404 A1 * 3/2014 Blunier A01C 23/008
 111/119

OTHER PUBLICATIONS

John Deere, Air-Seeding Equipment Brochure, Jul. 2020. (28 pages).
 Kinze Model 3660 Image, (1 page).
 Massey Ferguson Image, (1 page).
 Kinze Manufacturing, Planters, <https://www.kinze.com/planters/>,
 2021 (4 pages).
 Stara, Planters and Seeders Products, [https://stara.com.br/en/produtos/
 planter-and-seeders/](https://stara.com.br/en/produtos/planter-and-seeders/), Stara S/A Indústria de Implementos Agrícolas,
 2021. (6 pages).
 AGCO, White-Planters, Vacuum Electric (VE/VER) Planters, [https://
 www.white-planters.com/planting-equipment/9000-series-planters-
 vacuum-electric.html](https://www.white-planters.com/planting-equipment/9000-series-planters-vacuum-electric.html), AGCO Corporation, 2021. (10 pages).
 Case IH, Planting & Seeding, [https://www.caseih.com/northamerica/
 en-us/products/planting-seeding](https://www.caseih.com/northamerica/en-us/products/planting-seeding), CNH Industrial America LLC, 2021.
 (3 pages).
 USPTO, Ex Parte Quayle Office Action issued in U.S. Appl. No.
 29/771,675 dated Sep. 14, 2022. (30 pages).

* cited by examiner

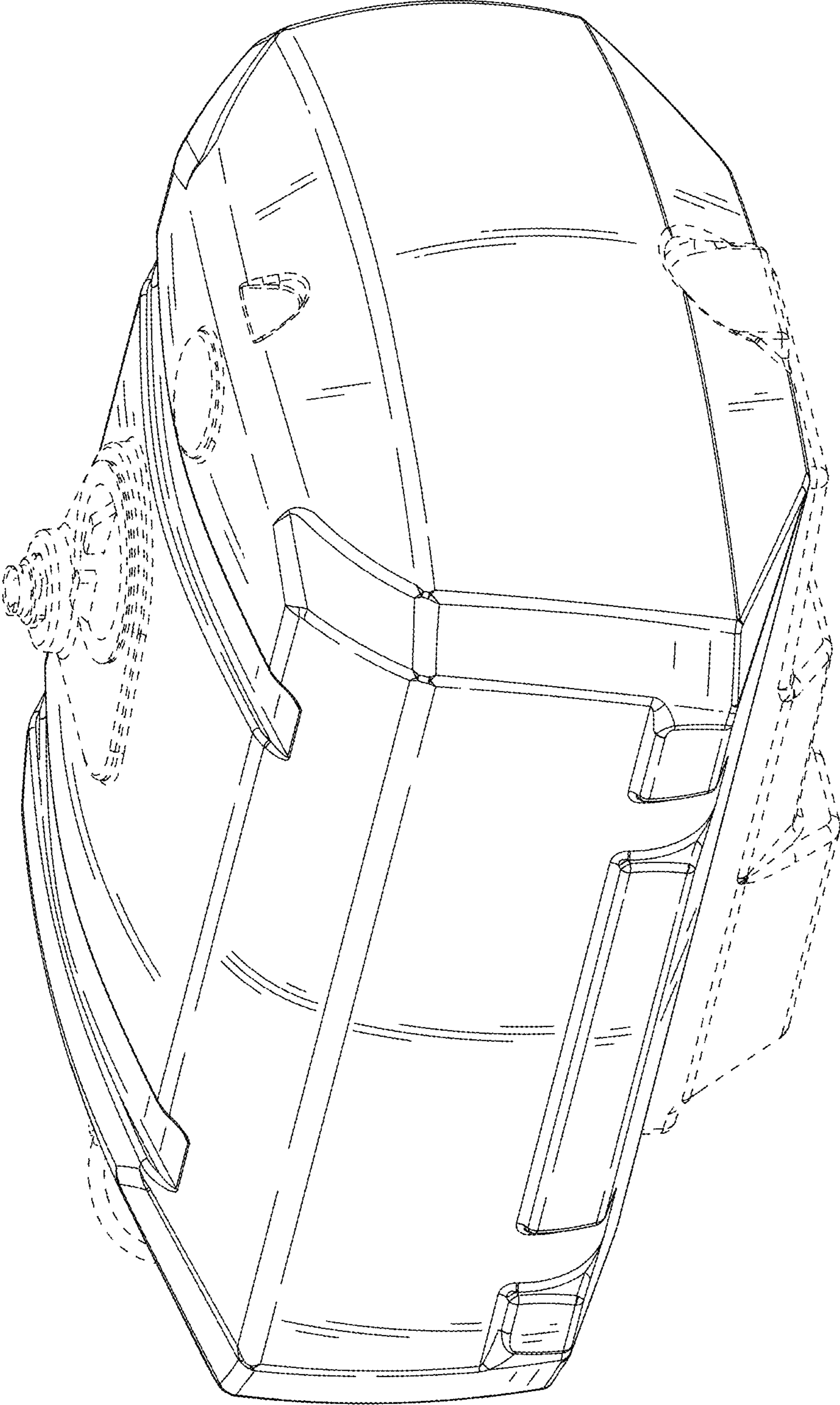


FIG. 1

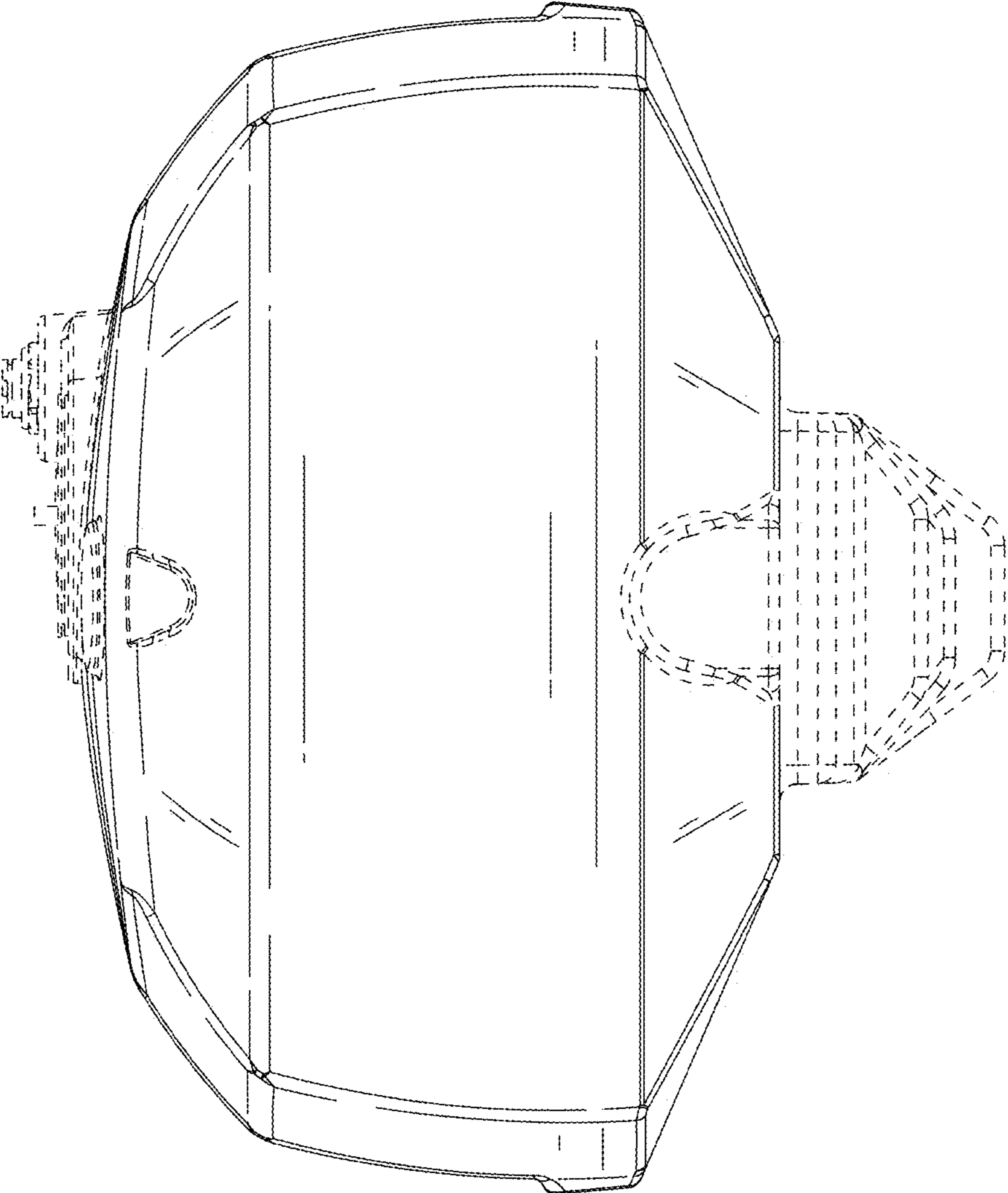


FIG. 2

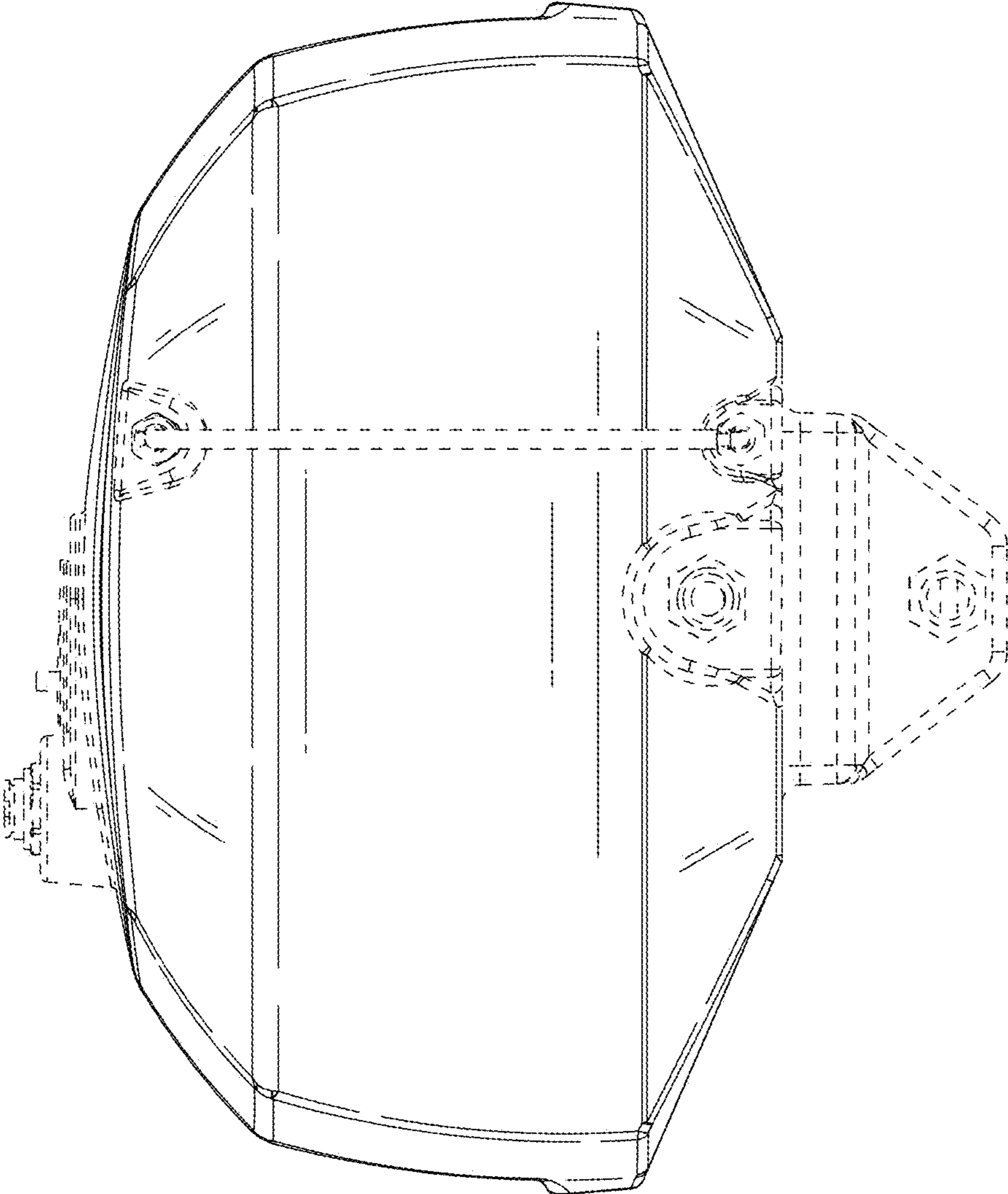


FIG. 3

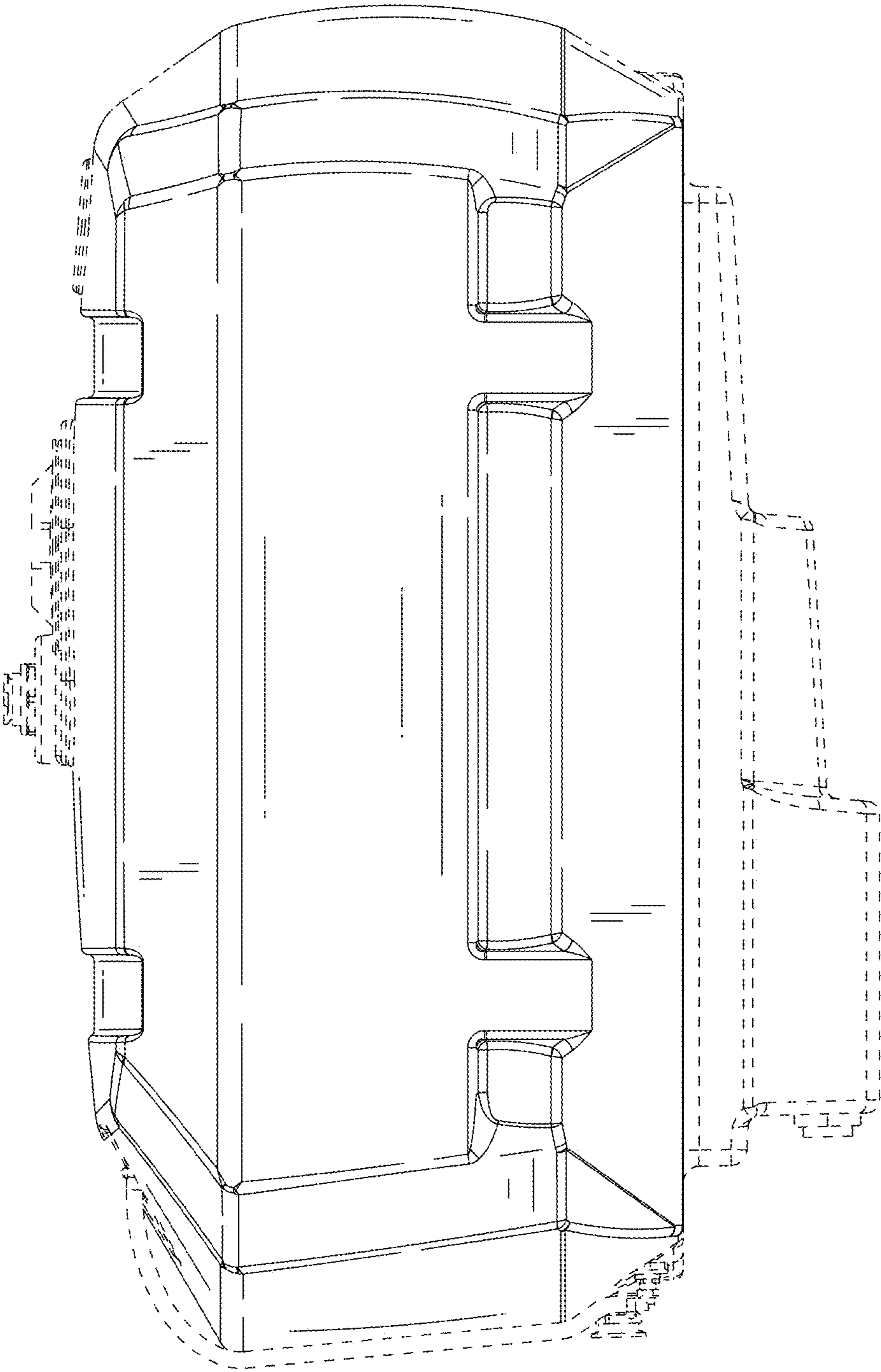


FIG. 4

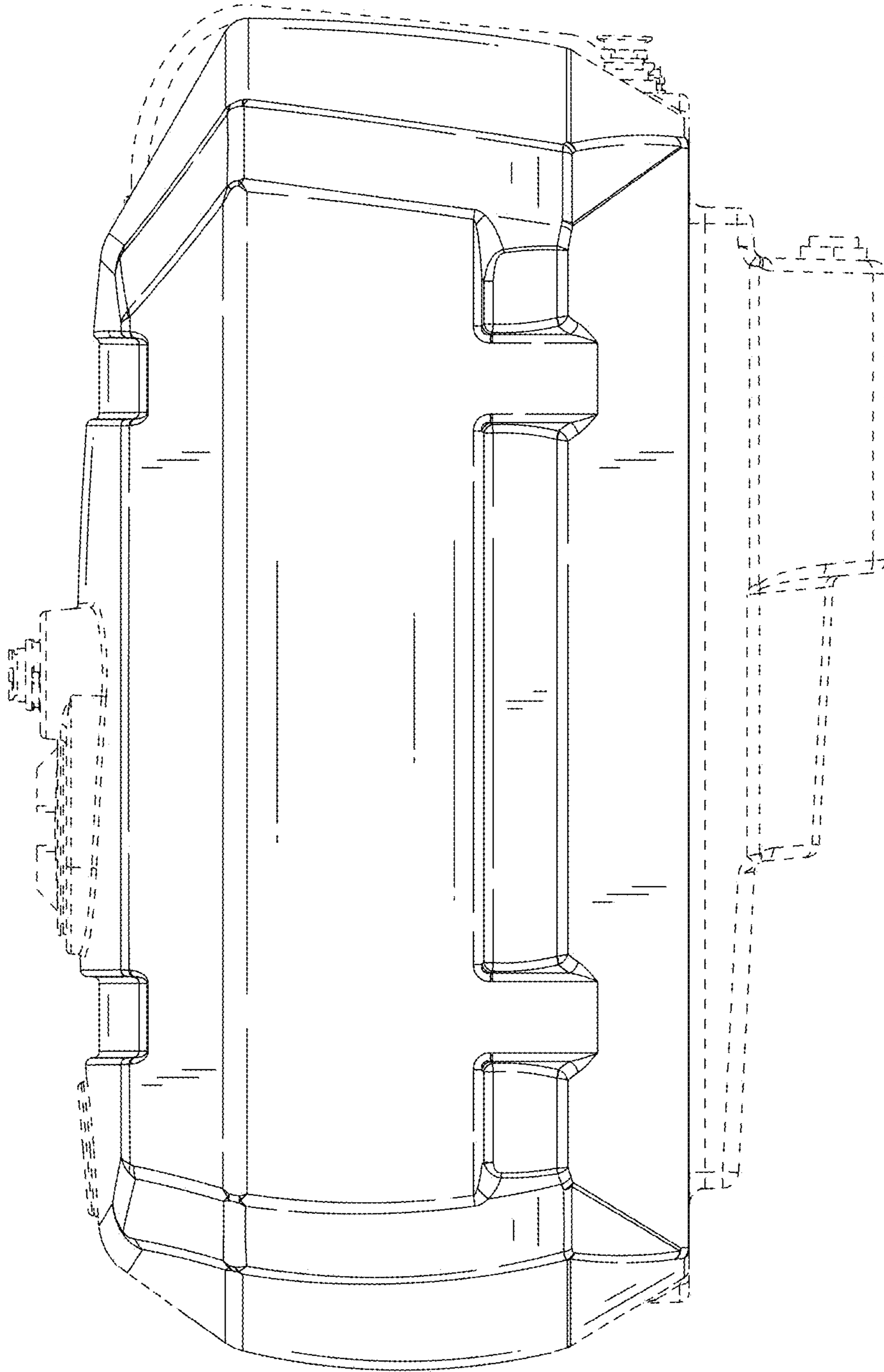


FIG. 5

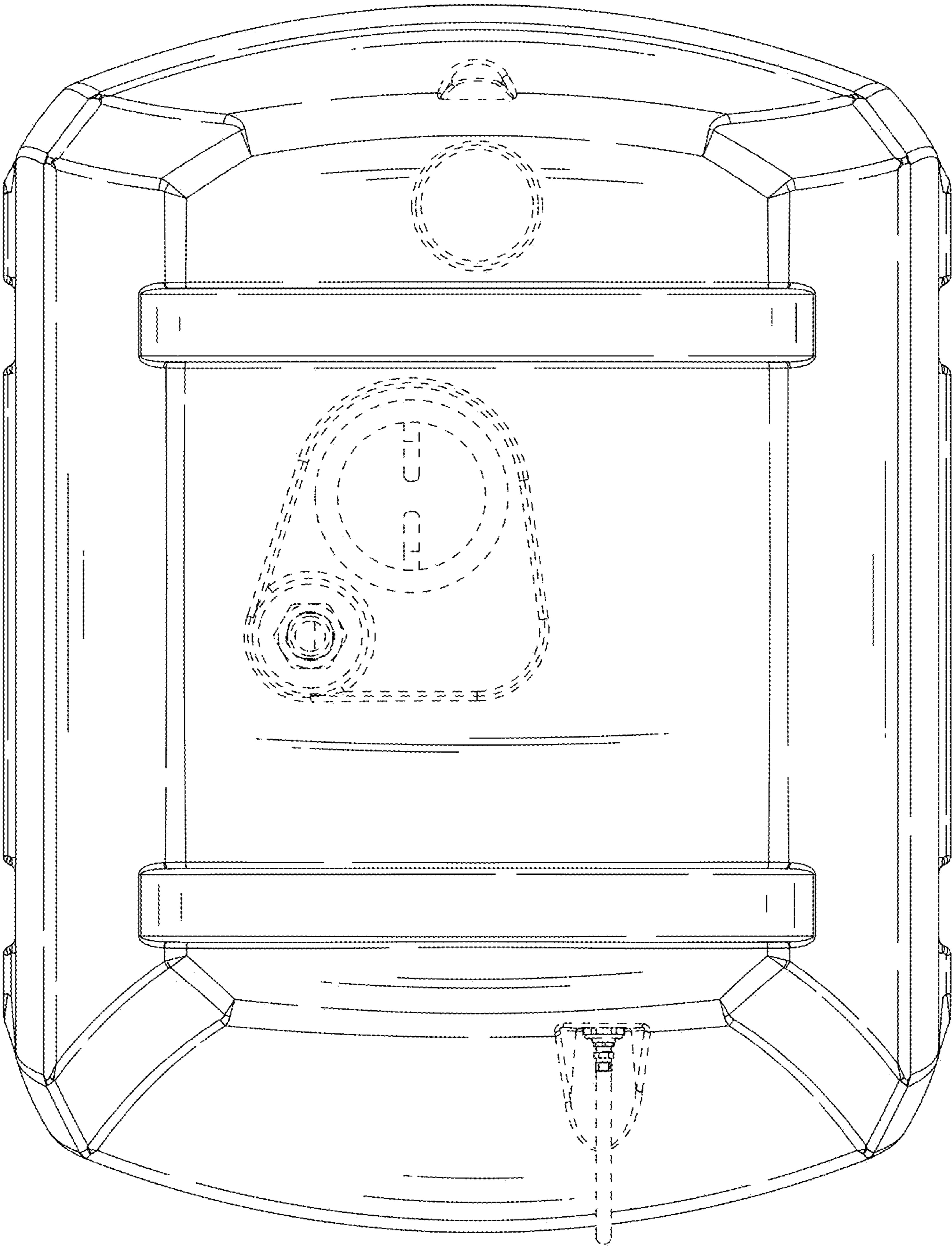


FIG. 6

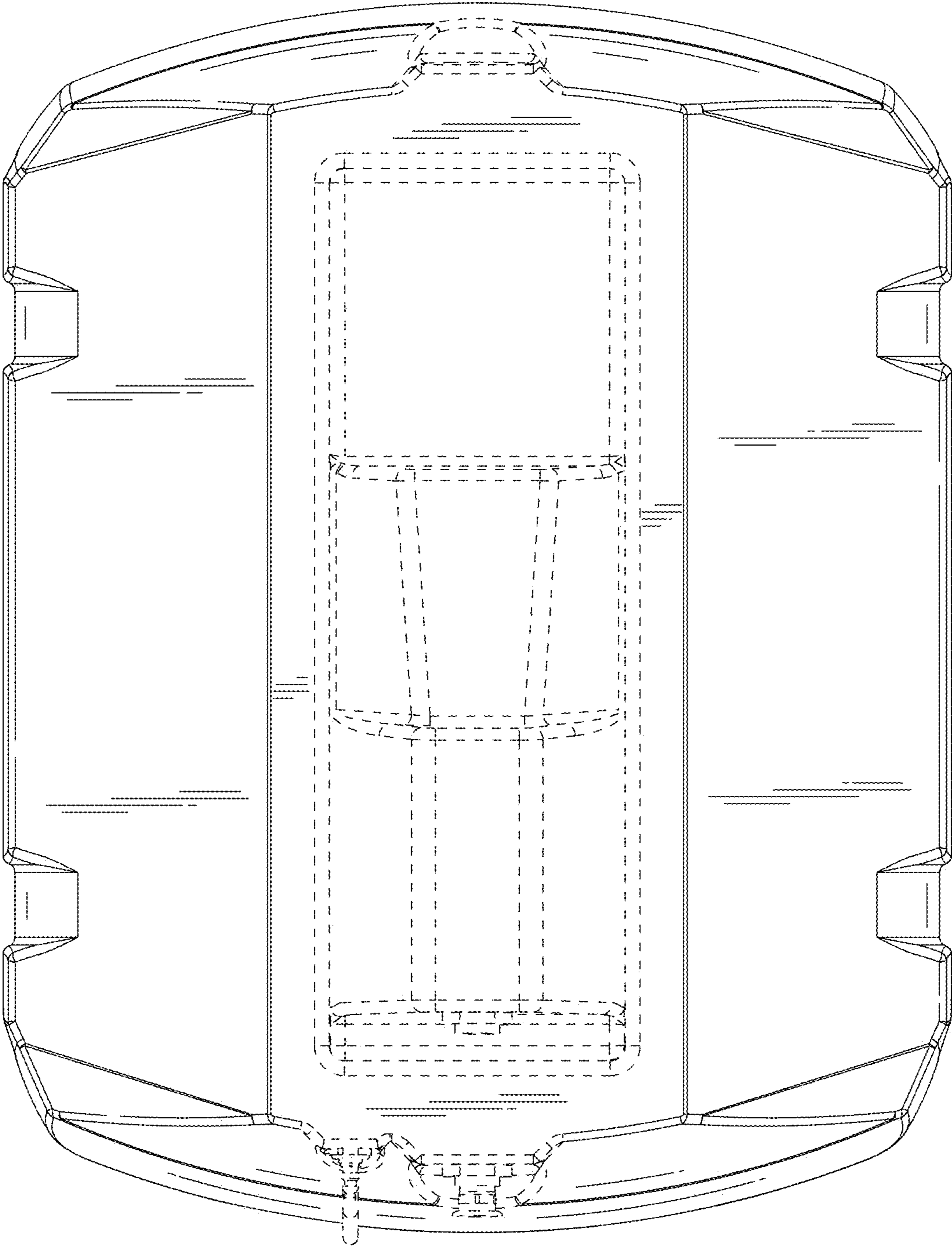


FIG. 7

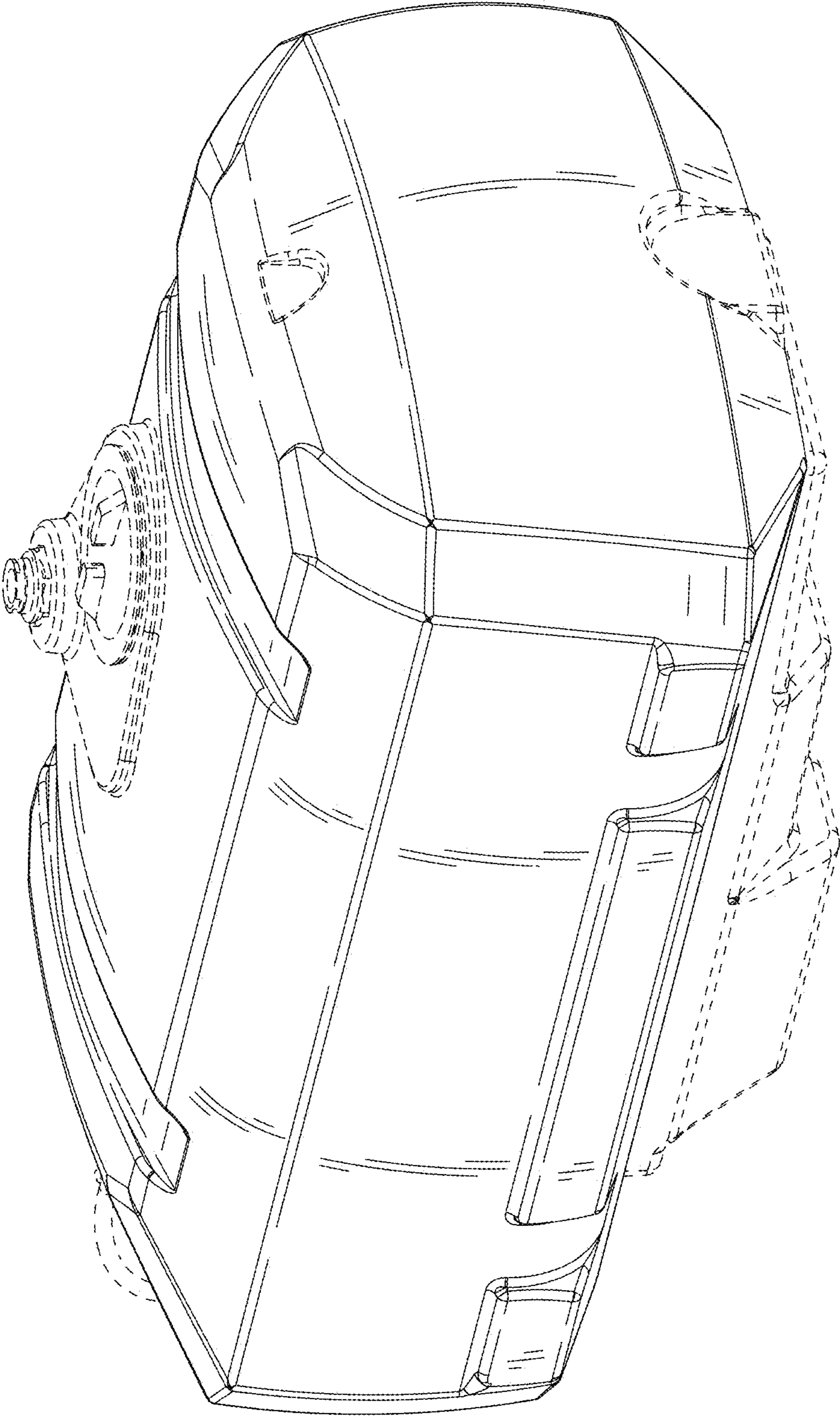


FIG. 8

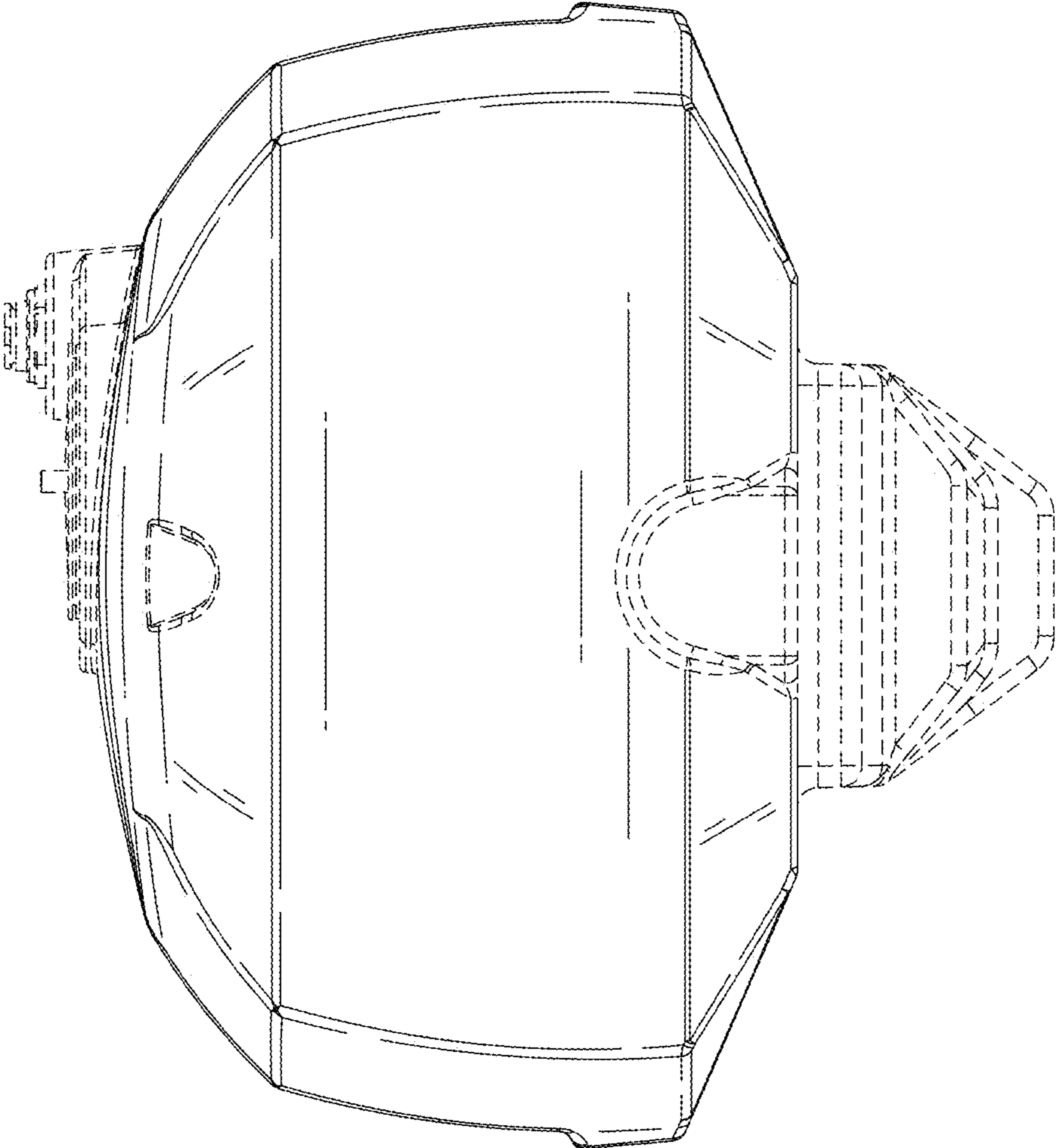


FIG. 9

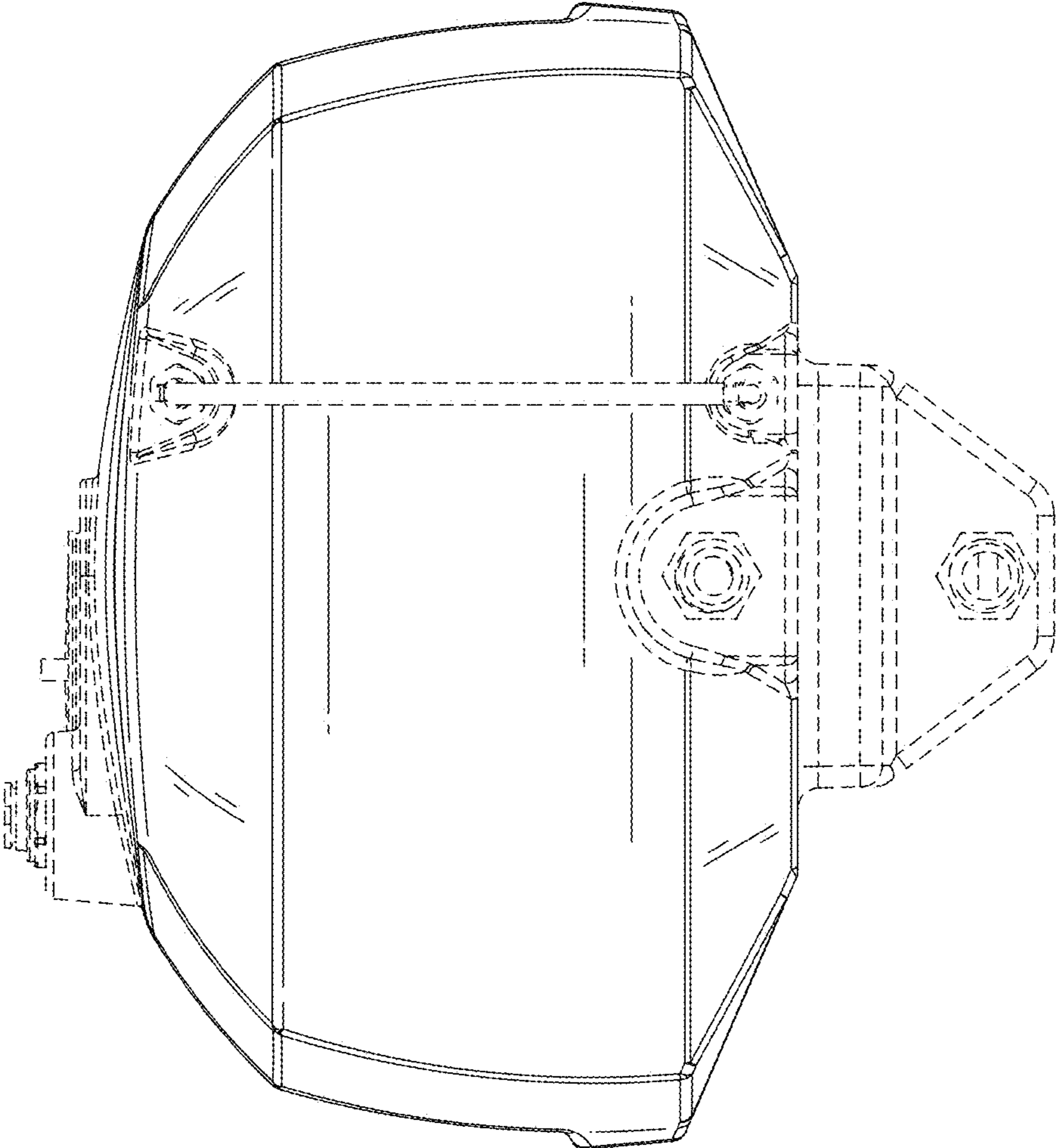


FIG. 10

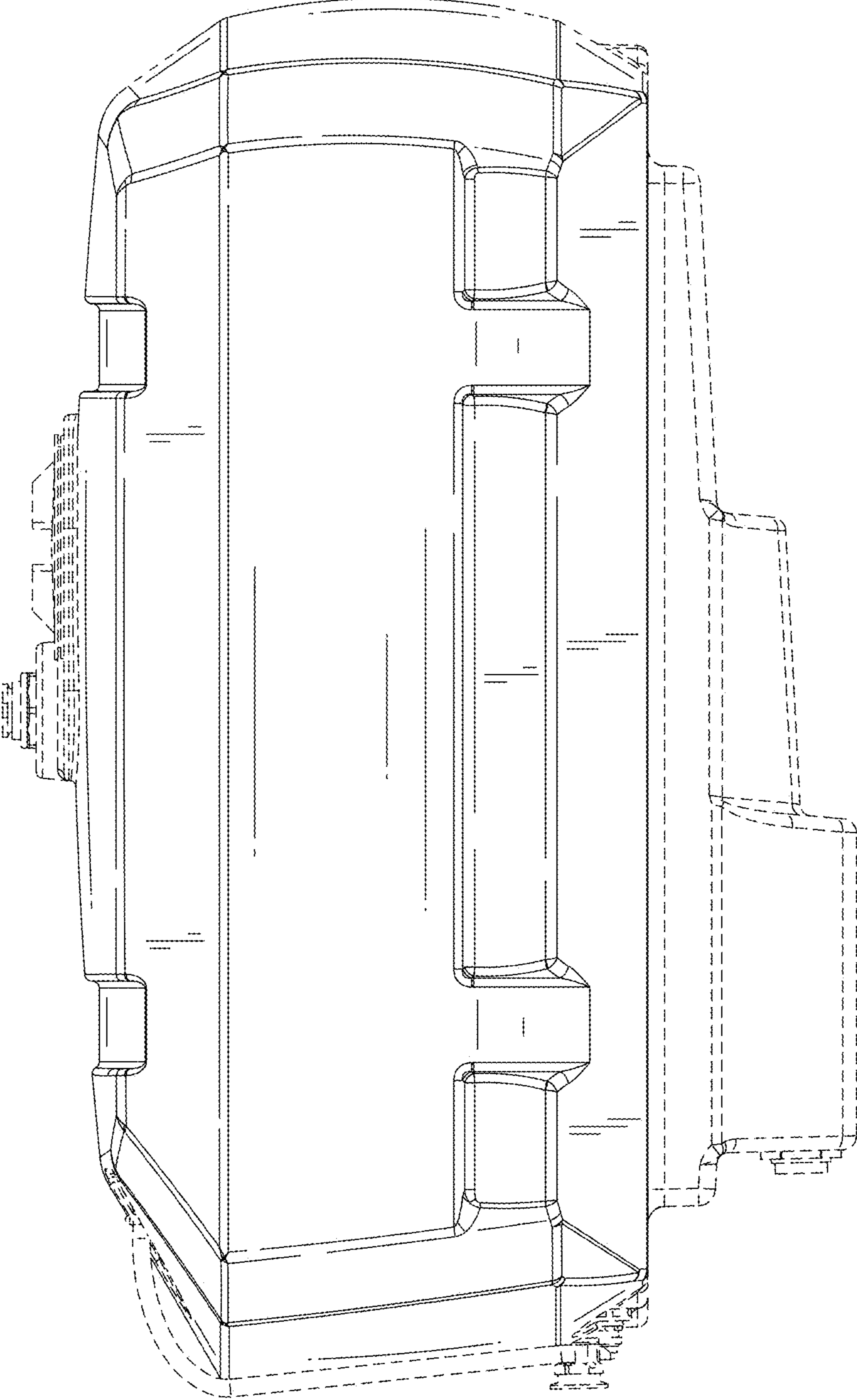


FIG. 11

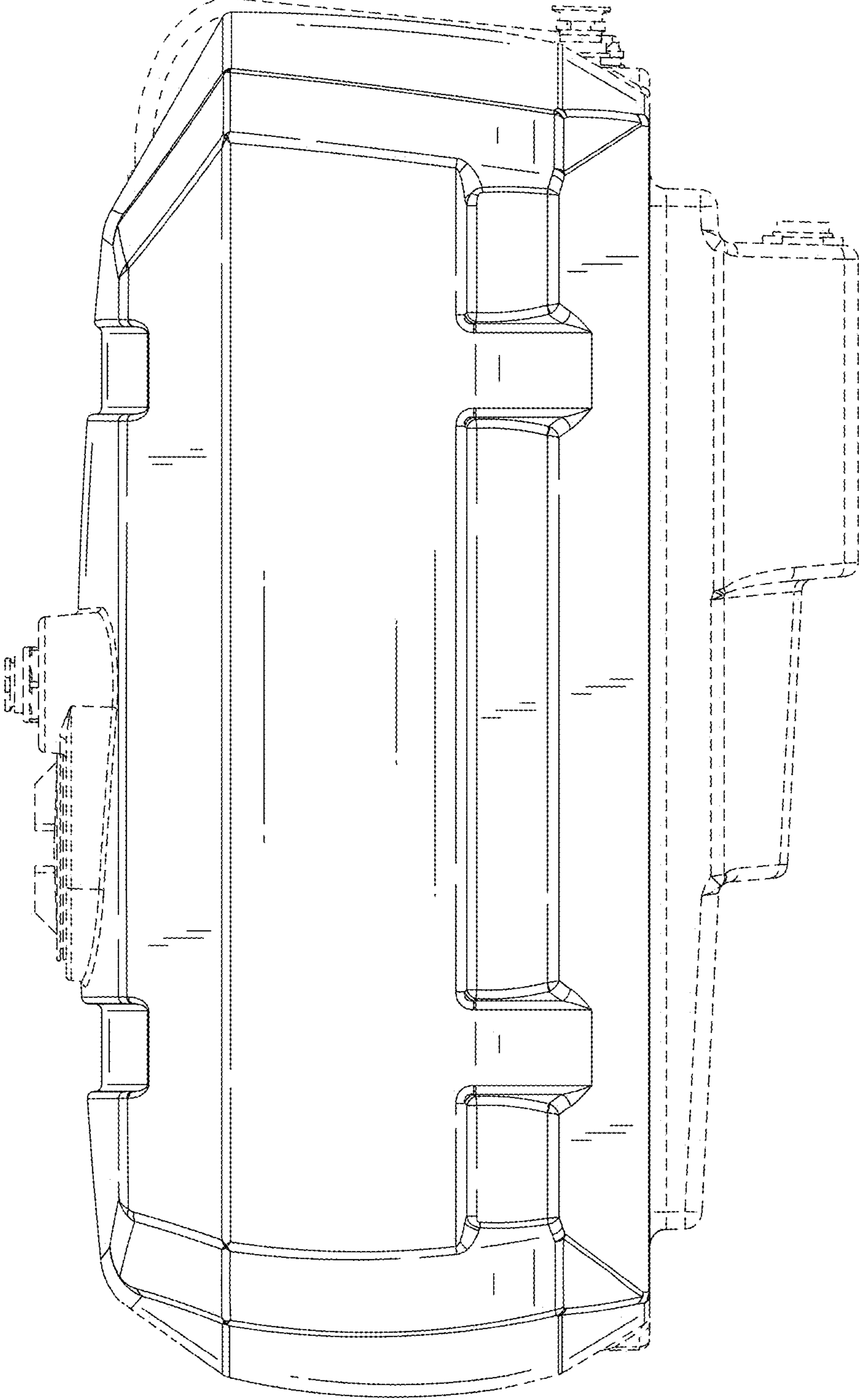


FIG. 12

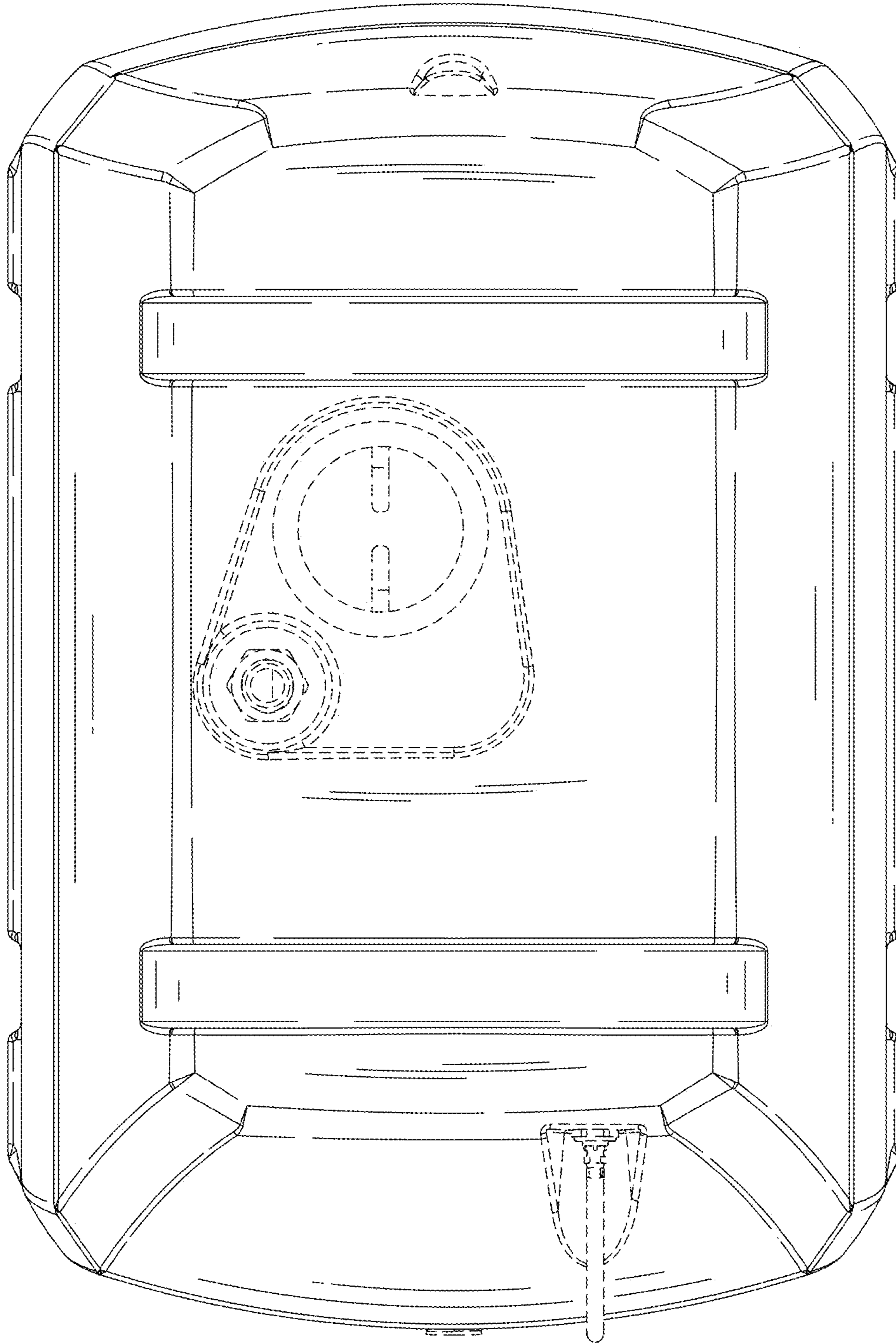


FIG. 13

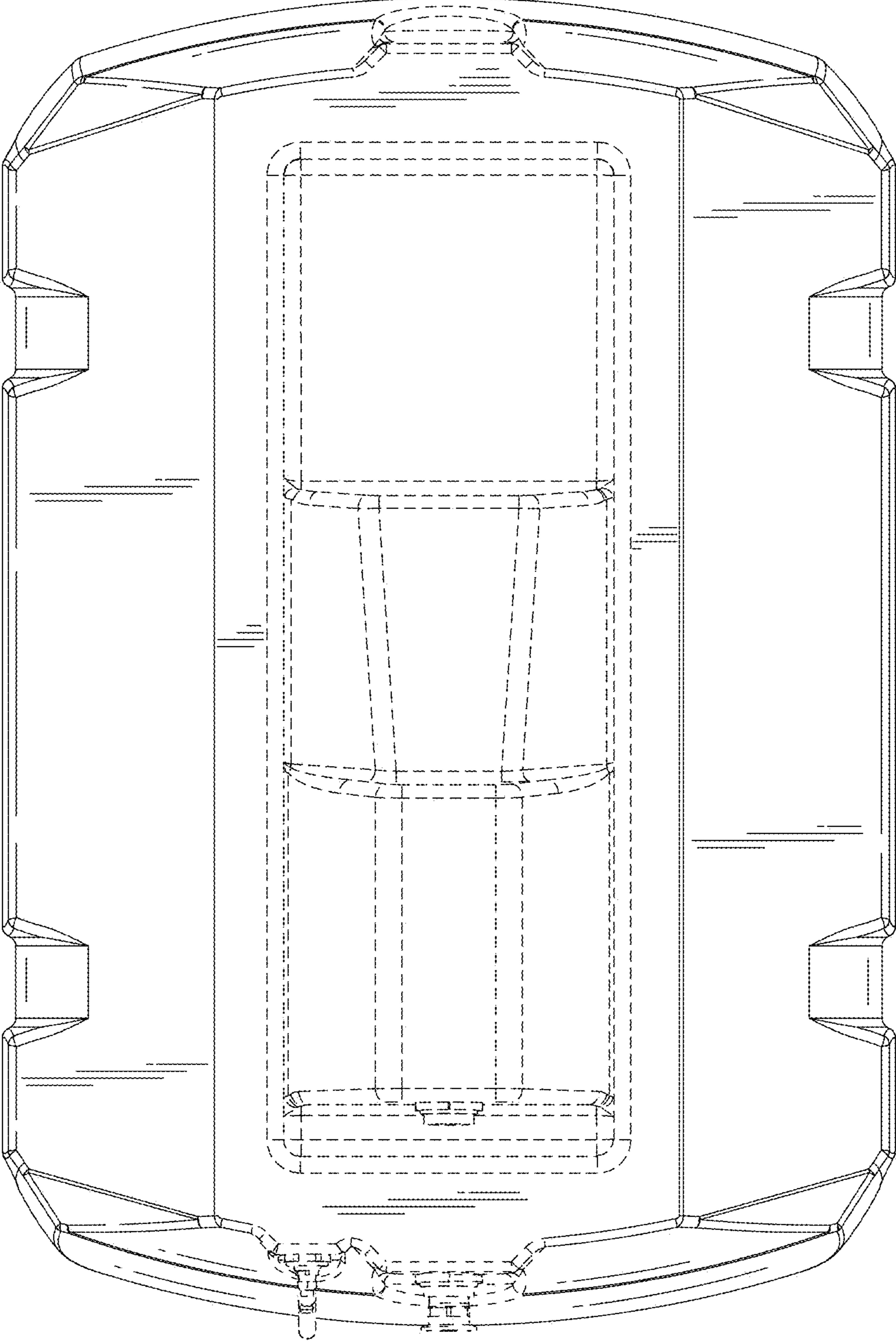


FIG. 14

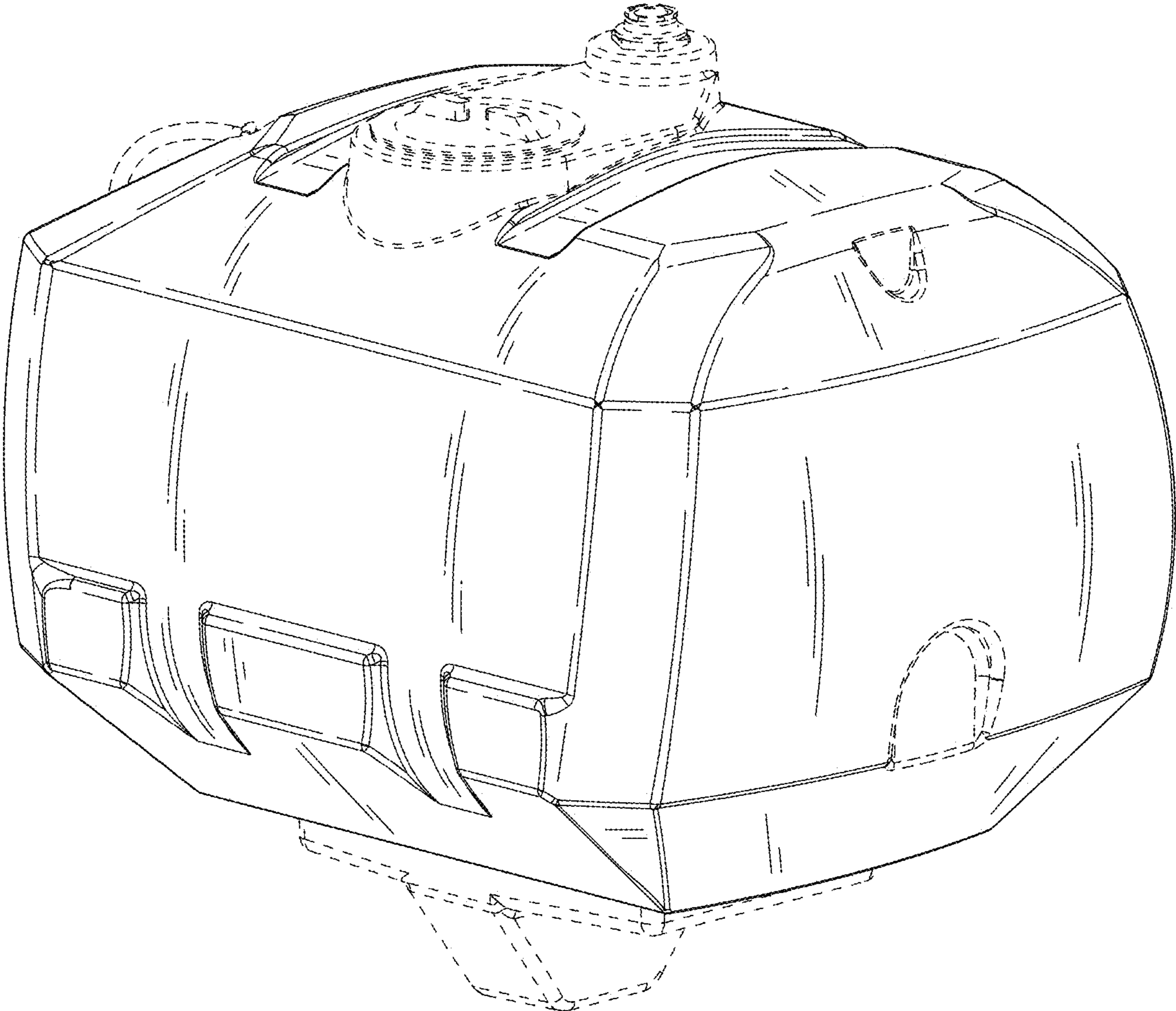


FIG. 15

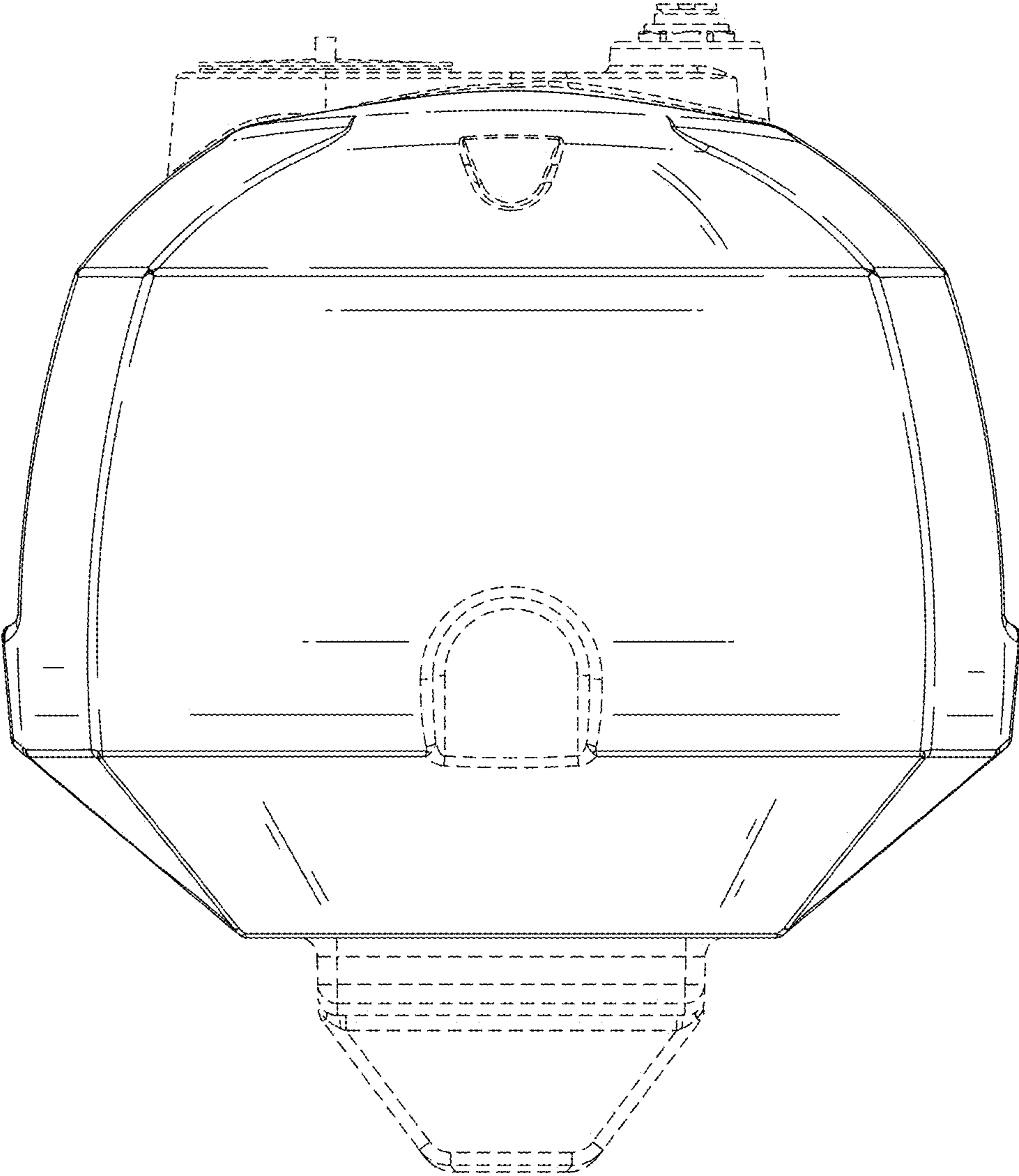


FIG. 16

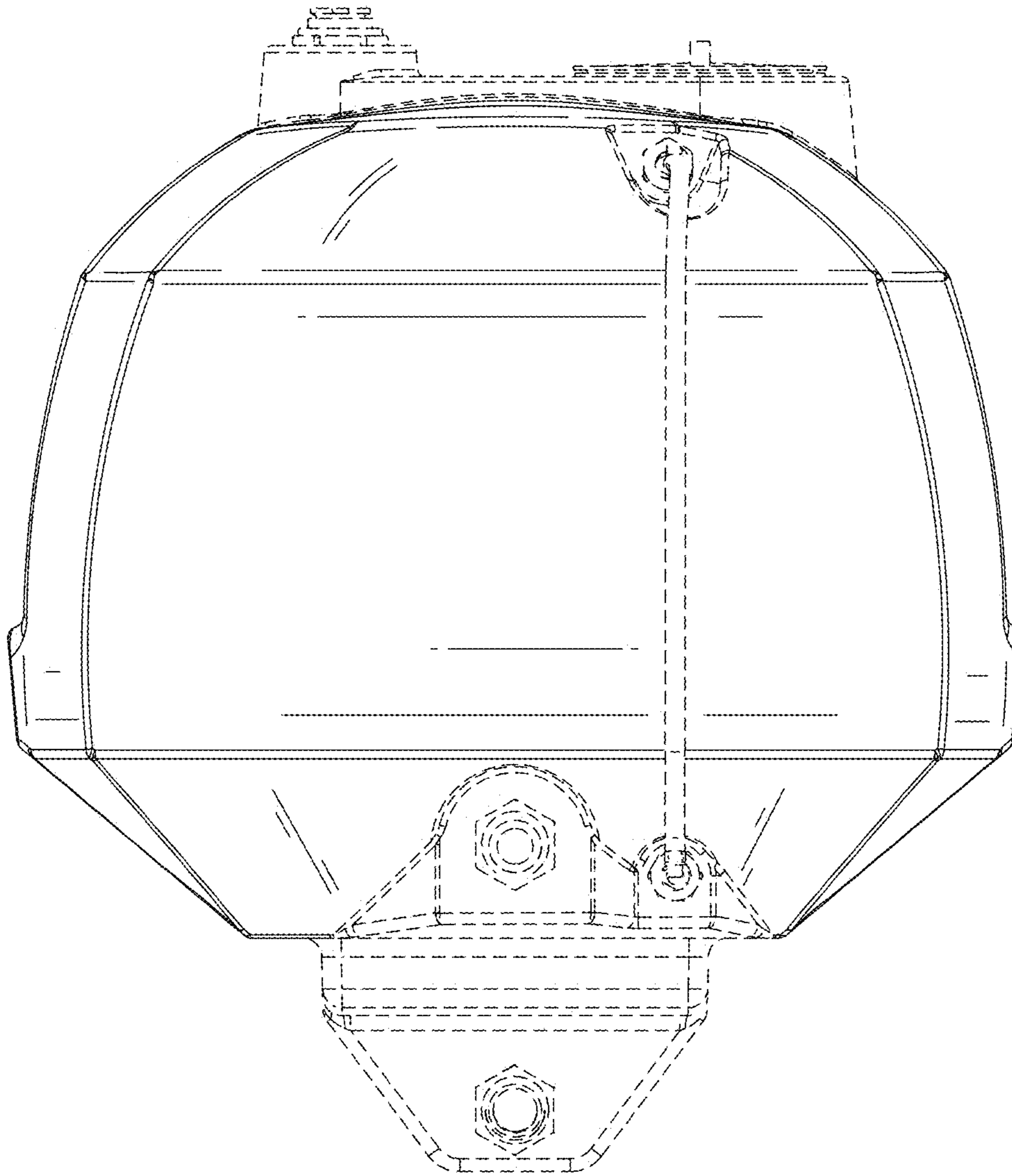


FIG. 17

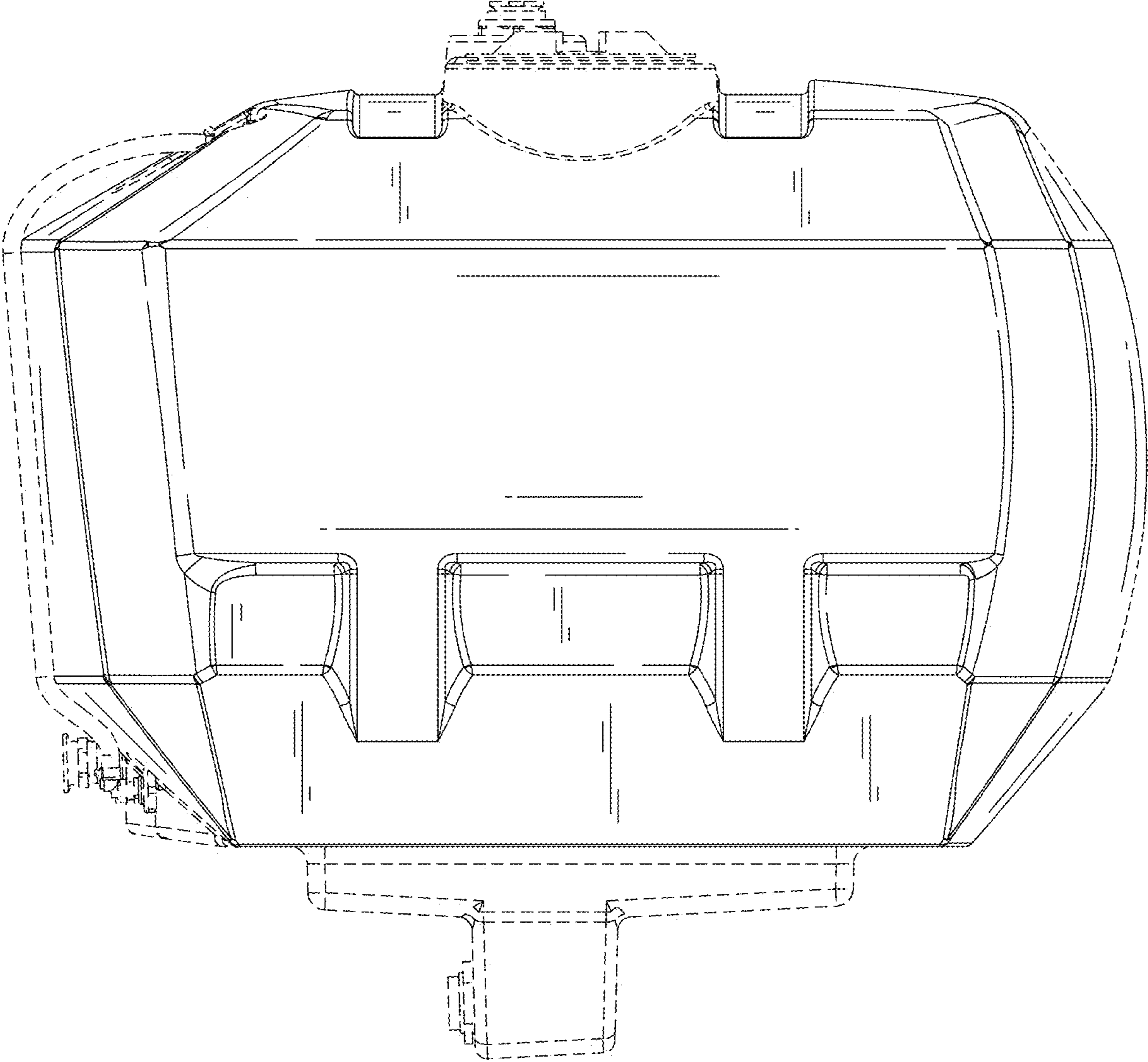


FIG. 18

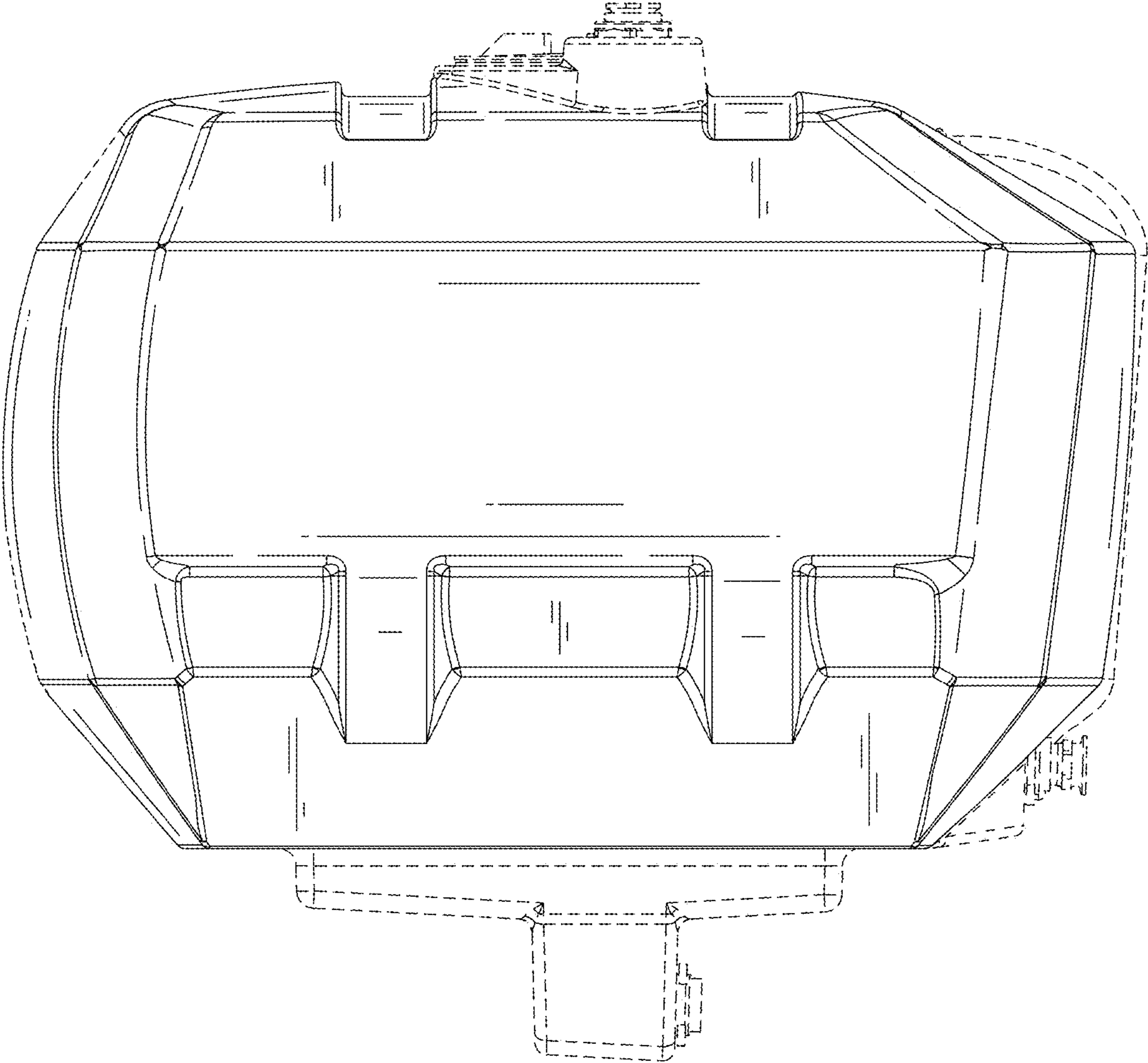


FIG. 19

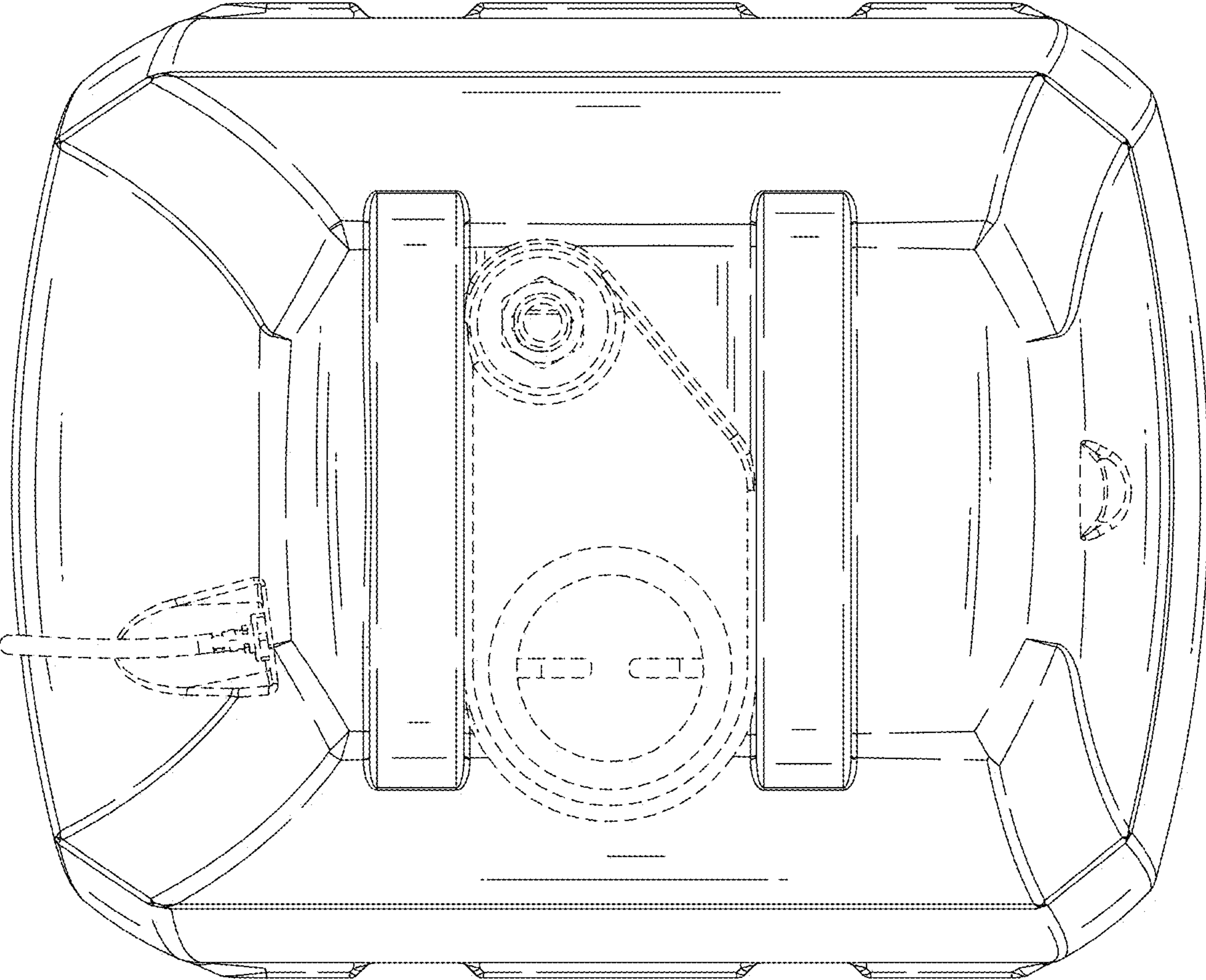


FIG. 20

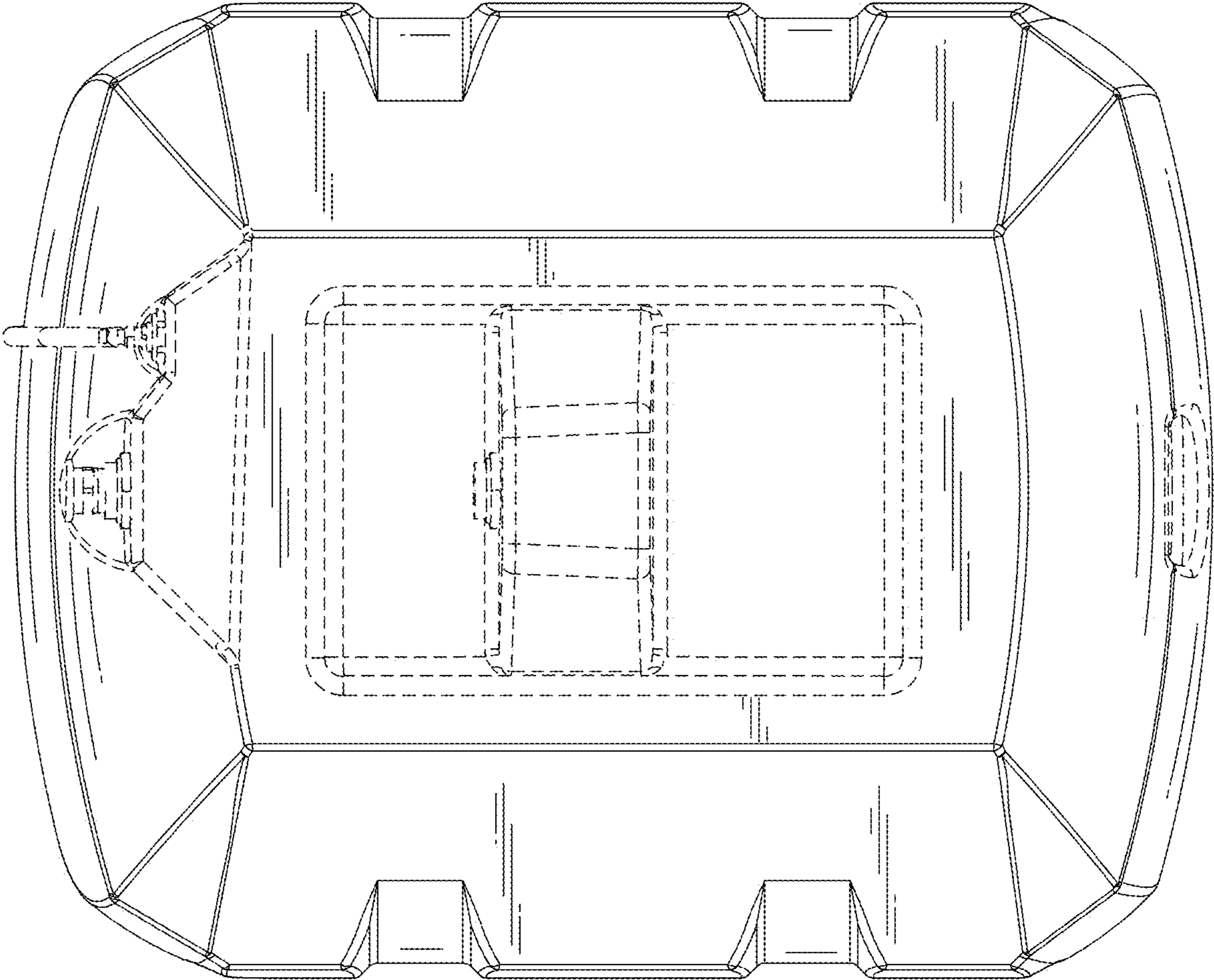


FIG. 21