



US00D987542S

(12) **United States Design Patent**
Jette et al.

(10) **Patent No.: US D987,542 S**
(45) **Date of Patent: ** May 30, 2023**

- (54) **WHEEL CHOCK**
- (71) Applicant: **9172-9863 QUEBEC INC.**, Terrebonne (CA)
- (72) Inventors: **Gaetan Jette**, Mascouche (CA);
Raphael Leandre, Montreal-Nord (CA)
- (73) Assignee: **9172-9863 QUÉBEC INC.**, Terrebonne (CA)

3,157,194 A 11/1964 Stolte
 3,189,127 A 6/1965 Karnow et al.
 3,258,088 A 6/1966 Bowen
 (Continued)

FOREIGN PATENT DOCUMENTS

CA 2164737 A1 6/1997
 CA 2164738 C 3/2009
 (Continued)

- (**) Term: **15 Years**
- (21) Appl. No.: **29/775,247**

OTHER PUBLICATIONS

Hybrid Wheel Restraint System for All Vehicle Types _ GMR Safety <https://www.gmrsafety.com/en/choose-a-powerchock-model/powerchock-hybrid/> Jan. 2022 (Year: 2022).*
 (Continued)

- (22) Filed: **Mar. 22, 2021**
- (51) **LOC (14) Cl.** **12-16**
- (52) **U.S. Cl.**
USPC **D12/217**
- (58) **Field of Classification Search**
USPC D8/349, 402; D12/214, 215, 217, 223;
D34/31, 34
CPC B60T 3/00; B60P 3/077; B65G 69/005;
B64F 1/16; B61D 45/001; B61D 3/188
See application file for complete search history.

Primary Examiner — Leanne Was-Englehart
 (74) *Attorney, Agent, or Firm* — Fasken Martineau
 DuMoulin LLP

(57) **CLAIM**
 The ornamental design for a wheel chock, as shown and described.

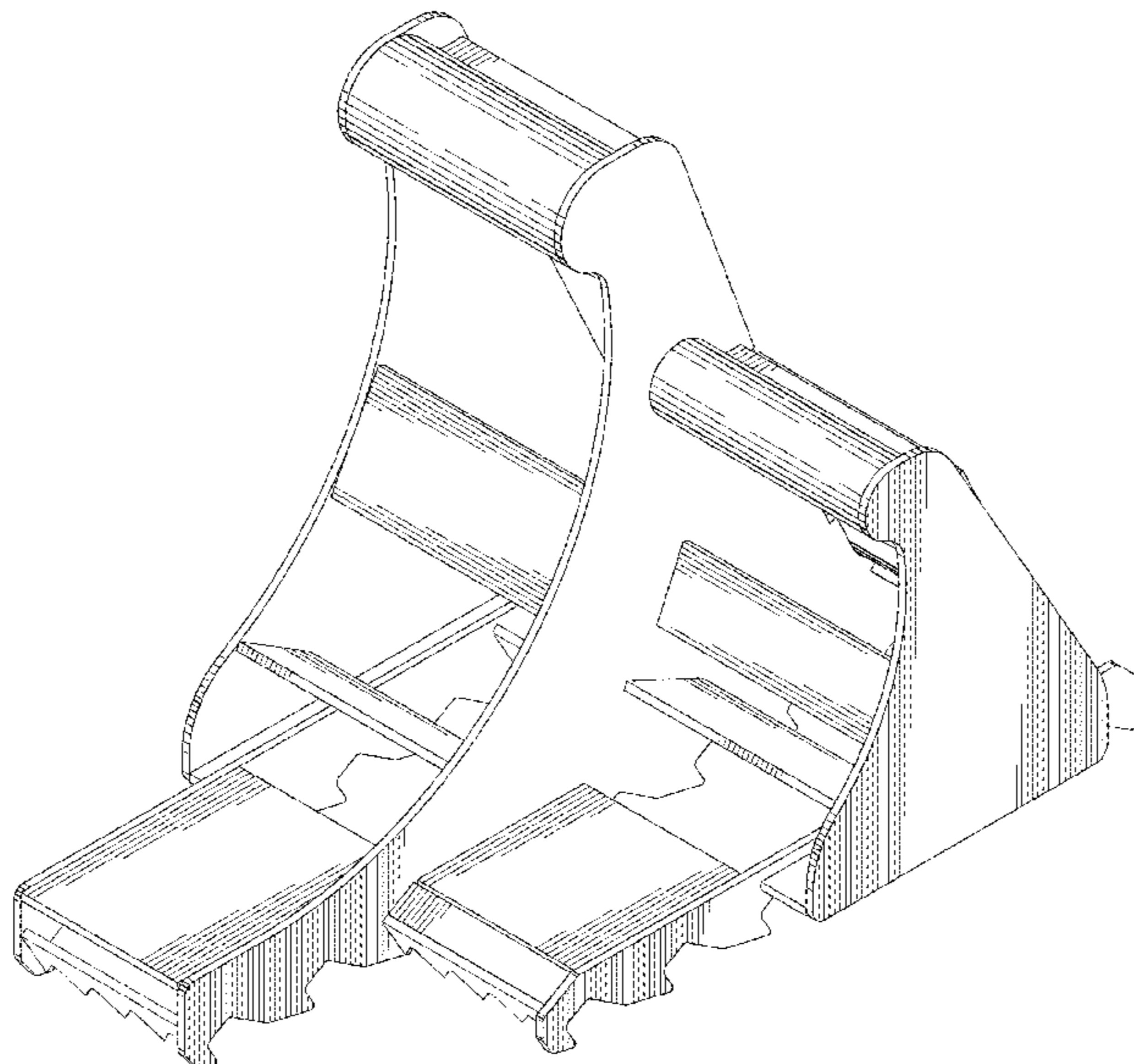
DESCRIPTION

FIG. 1 is a front right isometric view of a wheel chock showing our new design;
 FIG. 2 is a rear left isometric view thereof;
 FIG. 3 is a right side view thereof;
 FIG. 4 is a left side view thereof;
 FIG. 5 is a front view thereof;
 FIG. 6 is a rear view thereof;
 FIG. 7 is a top view thereof; and,
 FIG. 8 is a bottom view thereof.
 The wheel chock illustrated in FIGS. 1-8 is a first embodiment. Our new design also includes a second embodiment which is mirror symmetrical to FIGS. 1-8 and therefore not separately illustrated.

(56) **References Cited**
 U.S. PATENT DOCUMENTS

2,316,178 A	4/1943	Morgensen, Jr.	
2,413,744 A	1/1947	Carter	
2,465,551 A	3/1949	Otterness	
2,697,494 A *	12/1954	Parks	B60T 3/00 188/32
2,771,162 A	11/1956	Marsh	
2,835,349 A	5/1958	Veselik et al.	
2,858,905 A	11/1958	Fahland	
2,954,101 A	9/1960	Corson	
3,065,827 A	11/1962	Timbers	
3,074,569 A	1/1963	Ajero	
3,077,247 A	2/1963	West et al.	
3,119,466 A	1/1964	Gilson	
3,120,292 A	2/1964	Rambat	

1 Claim, 8 Drawing Sheets



(56)

References Cited

U.S. PATENT DOCUMENTS

3,305,049 A	2/1967	Willey	6,290,029 B1	9/2001	Gubler et al.
3,321,046 A	5/1967	Cooper	6,336,527 B1	1/2002	Metz
3,425,517 A	2/1969	Speir	6,357,987 B1	3/2002	Palus
3,542,157 A	11/1970	Noah	6,368,043 B1	4/2002	Leum et al.
3,581,846 A	6/1971	Janus	6,371,253 B1	4/2002	Berends et al.
3,664,466 A	5/1972	Rotheiser	6,378,956 B1	4/2002	Van De Walker
3,666,119 A	5/1972	Parsons	6,425,465 B1	7/2002	Tallman et al.
3,695,394 A	10/1972	Carpenter	6,439,823 B1	8/2002	Lambert
3,700,077 A	10/1972	Harder	6,505,713 B1	1/2003	Paul et al.
3,734,241 A	5/1973	Hale	6,524,053 B2	2/2003	Hahn et al.
3,845,844 A	11/1974	Woerner	6,585,211 B1	7/2003	Hageman et al.
3,845,845 A	11/1974	Geisthoff	6,589,003 B2	7/2003	Berends
3,907,072 A	9/1975	Shafer	6,676,360 B2	1/2004	Springer et al.
4,155,429 A	5/1979	Schessl	6,725,979 B1	4/2004	Snook
4,155,523 A	5/1979	Morford et al.	6,752,381 B2	6/2004	Colak et al.
4,191,503 A	3/1980	Neff et al.	6,773,221 B2	8/2004	Belongia et al.
4,207,019 A	6/1980	Cone	6,835,034 B2	12/2004	Winsor
4,217,831 A	8/1980	Koliba et al.	6,851,523 B1	2/2005	Gaster
4,399,893 A	8/1983	Switzer	6,863,481 B2	3/2005	Pingel
4,441,586 A	4/1984	Bernier	6,926,480 B2	8/2005	Anderson et al.
4,555,211 A	11/1985	Metz	6,938,734 B2	9/2005	Curl
4,582,176 A	4/1986	Roberts	6,948,593 B2	9/2005	Horton
4,641,994 A	2/1987	Hankison	6,978,865 B2	12/2005	Fougere
4,674,929 A	6/1987	Blunden	7,000,740 B2	2/2006	Chrisco et al.
4,676,344 A	6/1987	Locicero	7,032,720 B2	4/2006	Jette et al.
4,682,922 A	7/1987	Andre et al.	7,036,637 B1	5/2006	Wiens
4,739,863 A	4/1988	Stauffer	7,044,698 B2	5/2006	Winsor
4,781,271 A	11/1988	Wokeck	7,128,508 B2	10/2006	Anderson et al.
4,784,567 A	11/1988	Hageman et al.	7,226,265 B2	6/2007	Wilson
4,804,070 A	2/1989	Bohler	7,264,092 B2	9/2007	Jette
4,804,302 A	2/1989	Andre	7,284,641 B1	10/2007	Spence, III
4,833,442 A	5/1989	Von Heck	7,299,902 B2	11/2007	Thorpe
4,854,790 A	8/1989	Andre	7,316,043 B2	1/2008	Henblad et al.
4,934,489 A	6/1990	Jackson	7,537,095 B2	5/2009	Eriksson
4,955,459 A	9/1990	Murphy	7,586,401 B2	9/2009	Payne
4,963,068 A	10/1990	Gelder	7,632,052 B2	12/2009	Tatina
4,969,792 A	11/1990	Ellis et al.	D633,850 S	3/2011	Morin
4,973,213 A	11/1990	Erlandsson	7,914,042 B2	3/2011	Andersen et al.
5,025,877 A	6/1991	Assh	7,958,973 B2	6/2011	Swasand
5,096,021 A	3/1992	Tart	D644,159 S	8/2011	Marcum
D326,254 S	5/1992	Ziaylek, Jr. et al.	7,999,680 B2	8/2011	Penot
5,173,018 A	12/1992	Kissel et al.	8,006,811 B2	8/2011	Andersen et al.
5,249,905 A	10/1993	Warner et al.	8,047,751 B2	11/2011	Powers et al.
5,286,138 A	2/1994	Goodwin	8,104,588 B2	1/2012	Curlee et al.
5,302,063 A	4/1994	Winsor	8,286,757 B2	10/2012	Nelson
5,312,213 A	5/1994	Winsor	8,286,997 B2	10/2012	Kimener et al.
5,348,437 A	9/1994	Krupke et al.	8,307,956 B2	11/2012	Andersen et al.
5,368,134 A	11/1994	Rickman et al.	8,365,875 B2	2/2013	Garceau
5,375,965 A	12/1994	Springer et al.	8,443,945 B2	5/2013	Perkins
5,381,680 A	1/1995	Rauch, Jr.	8,464,846 B2	6/2013	Andersen et al.
5,392,880 A	2/1995	Christian	8,465,245 B2	6/2013	Manone et al.
5,410,897 A	5/1995	Edmondson	8,499,897 B2	8/2013	Brooks et al.
5,427,209 A	6/1995	Tannehill et al.	8,499,899 B2	8/2013	Scott
5,435,418 A	7/1995	Warren et al.	8,528,929 B2	9/2013	Kimener
5,520,034 A	5/1996	Edmondson	8,562,264 B2	10/2013	Winsor
5,531,557 A	7/1996	Springer	8,590,673 B2	11/2013	Andersen et al.
5,547,045 A	8/1996	Stutzman	8,590,674 B2	11/2013	Jette
5,553,987 A	9/1996	Ellis	8,657,078 B2	2/2014	Wolfram
5,582,498 A	12/1996	Springer et al.	8,662,803 B2	3/2014	Bowman et al.
5,664,930 A	9/1997	Ellis	8,690,501 B2	4/2014	Bullock
5,683,219 A	11/1997	Gilles, Jr. et al.	8,779,948 B2	7/2014	Faus et al.
5,709,518 A	1/1998	Alexander et al.	8,783,608 B2	7/2014	Affre De Saint Rome
5,743,697 A	4/1998	Alexander	8,807,291 B2	8/2014	Saubade
5,762,459 A	6/1998	Springer et al.	8,826,963 B2	9/2014	Wiegel et al.
5,803,208 A	9/1998	Blach	8,831,970 B2	9/2014	Weik, III et al.
5,878,940 A	3/1999	Rosenbalm	8,857,574 B2	10/2014	De Jong
5,901,816 A	5/1999	Camilleri	8,869,948 B2	10/2014	Saliger et al.
5,902,082 A	5/1999	Kaemper	8,887,874 B2	11/2014	Bellota
5,934,857 A	8/1999	Alexander	D720,278 S *	12/2014	Pinkali D12/217
D422,960 S	4/2000	Henry	8,905,198 B2	12/2014	Brooks et al.
6,082,952 A	7/2000	Alexander	9,010,501 B2	4/2015	Brooks et al.
6,092,970 A	7/2000	Hahn et al.	9,073,472 B2	7/2015	Hellenschmidt et al.
6,123,496 A	9/2000	Alexander	9,079,523 B2	7/2015	Morin
6,238,163 B1	5/2001	Springer et al.	9,126,775 B2	9/2015	Brooks et al.
6,250,432 B1	6/2001	Hageman et al.	9,139,384 B2	9/2015	Brooks, IV et al.
			9,162,831 B2	10/2015	De Jong
			9,212,797 B2	12/2015	Jeong
			9,290,336 B2	3/2016	Ballester
			9,909,851 B2	3/2018	Lanigan, Sr. et al.

(56)

References Cited

U.S. PATENT DOCUMENTS

D830,280 S 10/2018 Erickson
 10,179,572 B2 1/2019 Metz et al.
 D855,005 S 7/2019 Delancey et al.
 10,393,627 B2 8/2019 Etches et al.
 10,501,058 B2 12/2019 Rancourt et al.
 D873,196 S 1/2020 Harrington
 10,625,961 B2 4/2020 De Jong
 D892,706 S 8/2020 Sveum et al.
 10,793,119 B2* 10/2020 Jette B60T 3/00
 10,864,895 B2* 12/2020 Palmer B65G 69/005
 11,046,298 B1* 6/2021 Desmarais G01G 19/021
 D936,472 S* 11/2021 Marsden D8/402
 2001/0026751 A1 10/2001 Berends
 2003/0159892 A1* 8/2003 Jette B60T 3/00
 188/32
 2004/0040794 A1* 3/2004 Bateman B60T 3/00
 188/32
 2004/0108172 A1 6/2004 Fox
 2005/0047887 A1 3/2005 Kenny
 2005/0133315 A1 6/2005 Hoofard
 2007/0050999 A1 3/2007 Milner et al.
 2008/0124203 A1 5/2008 McDonald
 2008/0314693 A1 12/2008 Van Aspert
 2009/0169298 A1 7/2009 Lane
 2011/0226565 A1* 9/2011 Jette B60T 3/00
 188/32
 2011/0240416 A1* 10/2011 Brooks B60T 3/00
 188/32
 2012/0006632 A1* 1/2012 Nelson B65G 69/005
 188/32
 2015/0027818 A1 1/2015 Bellota
 2016/0272168 A1* 9/2016 Palmer B65G 69/005
 2019/0315263 A1* 10/2019 Vande Sande B60P 3/075
 2019/0329994 A1 10/2019 Ion
 2020/0216276 A1* 7/2020 Palmer B65G 69/005
 2020/0354176 A1 11/2020 Valentin
 2021/0031736 A1* 2/2021 Perozzo B64F 1/16
 2021/0170997 A1* 6/2021 Widgery B64F 1/16
 2021/0261101 A1* 8/2021 Chartier B60T 3/00
 2021/0316974 A1* 10/2021 Leum B66F 7/243

FOREIGN PATENT DOCUMENTS

CN 203111202 U 8/2013
 DE 609179 C 2/1935
 DE 633272 C 7/1936
 DE 19706326 C1 10/1998
 EP 0025399 B1 3/1983
 EP 0128992 A1 12/1984
 EP 0284532 A1 9/1988
 EP 0384850 B1 11/1994
 EP 0537075 B1 4/1995
 EP 0496727 B1 9/1996
 EP 0639488 B1 3/1997
 EP 0836579 B1 2/1999
 EP 0744327 B1 11/1999
 EP 1095880 A1 5/2001
 EP 1167253 B1 4/2004
 EP 1764275 B1 4/2009
 EP 2236445 B1 4/2011
 EP 2292481 B1 5/2013
 EP 2089302 B1 11/2013
 EP 2380833 B1 9/2014
 EP 2796395 A1 10/2014
 EP 2307237 B1 1/2016
 EP 2832669 B1 4/2016
 EP 2851320 B1 11/2016
 EP 2930130 B1 9/2017
 EP 3159229 B1 6/2018
 EP 3401251 A1 11/2018
 EP 3210892 B1 1/2019

EP 3028966 B1 3/2019
 EP 3613685 B1 7/2021
 FR 2652340 B1 1/1992
 FR 2689845 B1 8/1996
 FR 2750123 B1 8/1998
 FR 2832113 B1 3/2004
 FR 2873351 A1 1/2006
 FR 2869578 B1 6/2006
 FR 2982225 B1 12/2013
 FR 3035387 B1 5/2017
 FR 3039528 B1 9/2017
 FR 3055008 B1 8/2018
 FR 3095811 A1 11/2020
 GB 774550 A 5/1957
 GB 779681 A 7/1957
 GB 2290590 B 4/1998
 GB 2410482 B 1/2007
 GB 2528380 B 5/2021
 WO 9749625 A1 12/1997
 WO 2008098742 A1 8/2008
 WO WO-2009014815 A1* 1/2009 B60T 3/00
 WO 2010029181 A1 3/2010
 WO 2020093178 A1 5/2020
 WO 2020221887 A1 11/2020
 WO 2021073952 A1 4/2021
 WO 2022016265 A1 1/2022

OTHER PUBLICATIONS

Machine translation in English of CN203111202.
 Machine translation in English of DE19706326.
 Machine translation in English of EP0284532.
 Machine translation in English of EP0639488.
 Machine translation in English of EP1764275.
 Machine translation in English of EP2851320.
 Machine translation in English of EP2930130.
 Machine translation in English of EP3159229.
 Machine translation in English of EP3401251.
 Machine translation in English of FR2689845.
 Machine translation in English of FR2750123.
 Machine translation in English of FR3035387.
 Machine translation in English of FR3039528.
 Machine translation in English of FR3055008.
 Machine translation in English of FR3095811.
 Machine translation in English of WO2020221887.
 Machine translation in English of FR2832113.
 Machine translation in English of CA2164737.
 Machine translation in English of CA2164738.
 Machine translation in English of DE609179.
 Machine translation in English of DE633272.
 Machine translation in English of EP0025399.
 Machine translation in English of EP0128992.
 Machine translation in English of EP0384850.
 Machine translation in English of EP0496727.
 Machine translation in English of EP0537075.
 Machine translation in English of EP0836579.
 Machine translation in English of EP2089302.
 Machine translation in English of EP2236445.
 Machine translation in English of EP2292481.
 Machine translation in English of EP2307237.
 Machine translation in English of EP2380833.
 Machine translation in English of EP2832669.
 Machine translation in English of FR2652340.
 Machine translation in English of FR2869578.
 Machine translation in English of FR2873351.
 Machine translation in English of FR2982225.
 Machine translation in English of WO9749625.
 Machine translation in English of WO200898742.
 Machine translation in English of WO201029181.

* cited by examiner

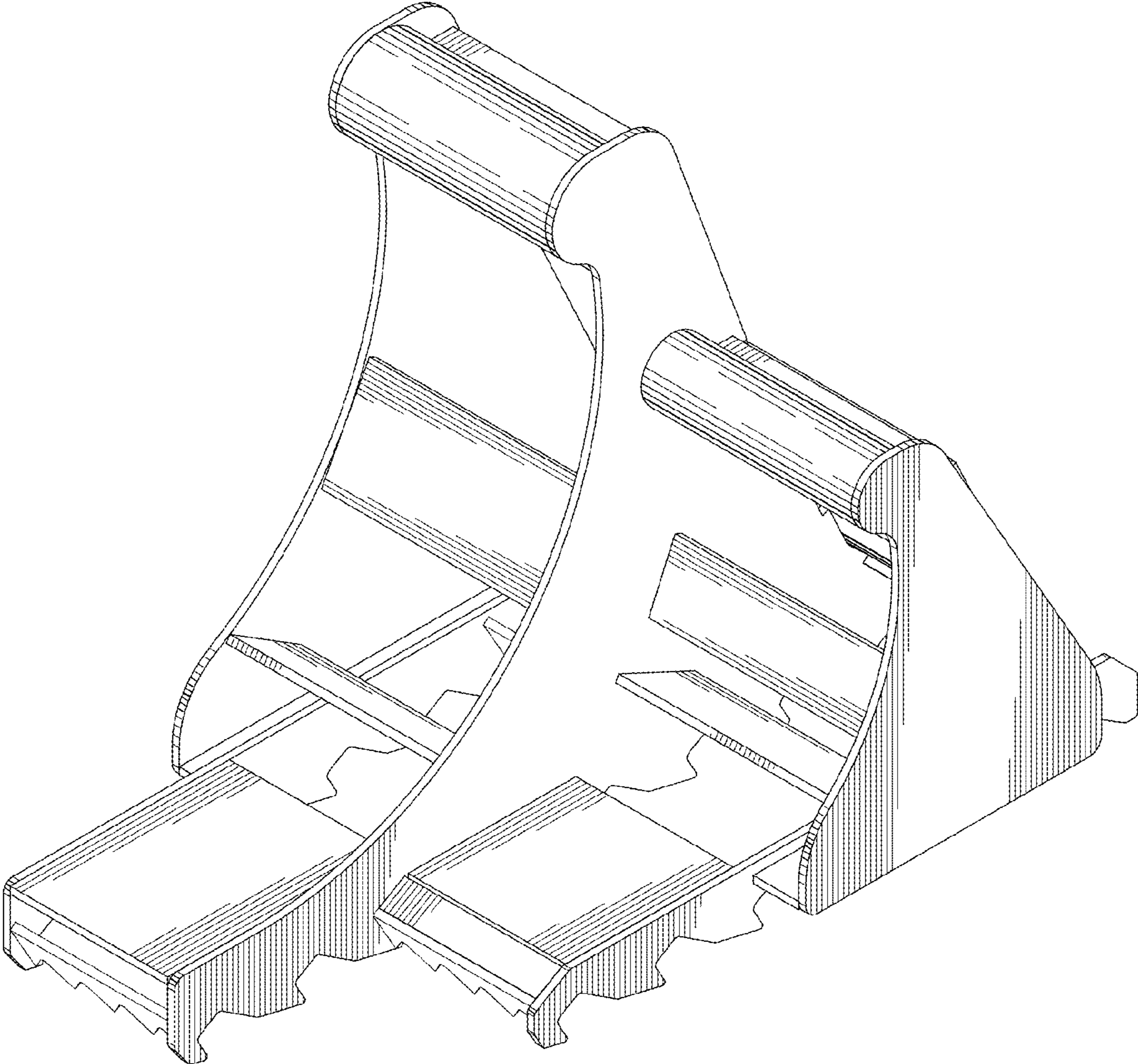


Fig. 1

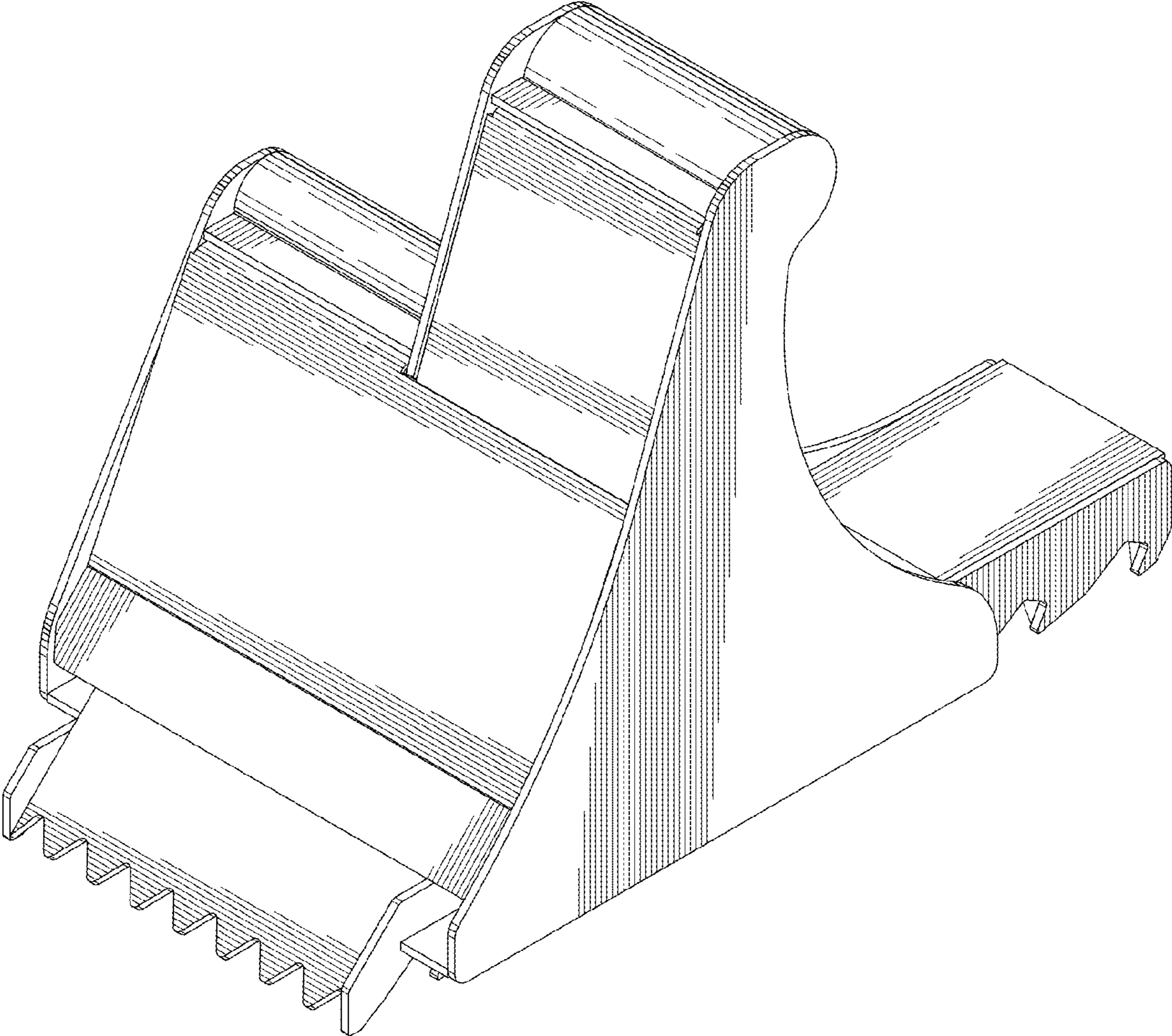


FIG. 2

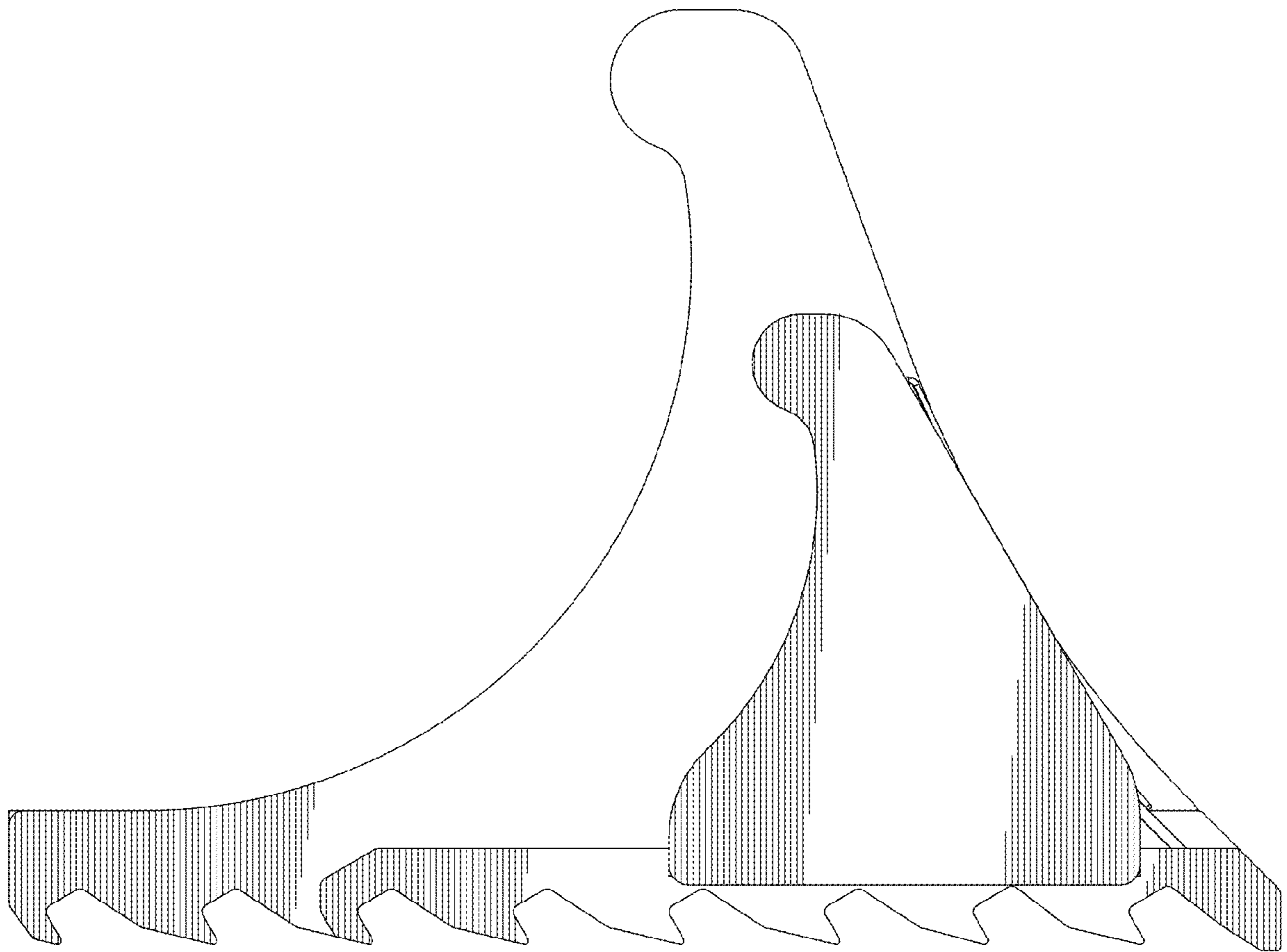


FIG. 3

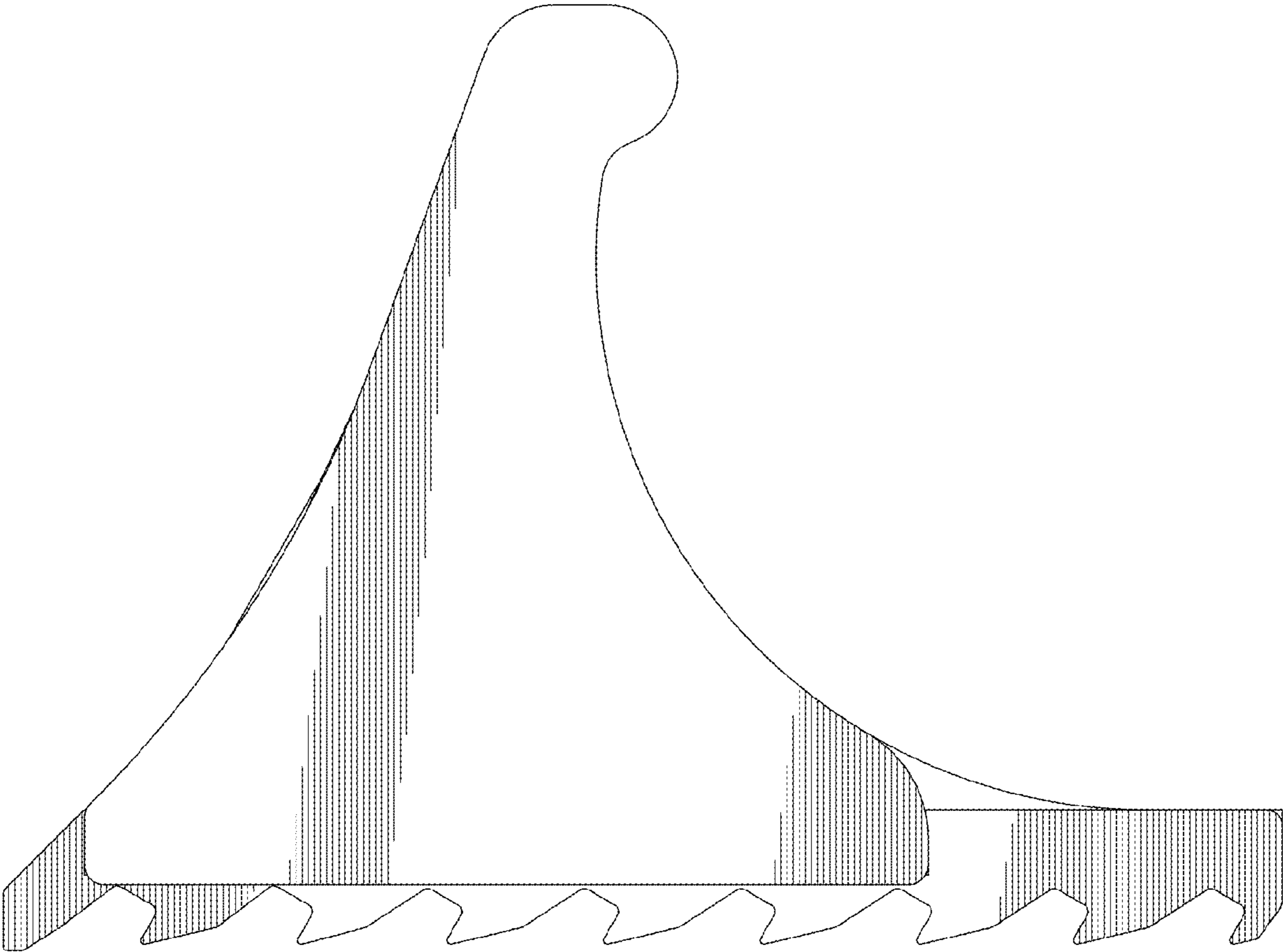


FIG. 4

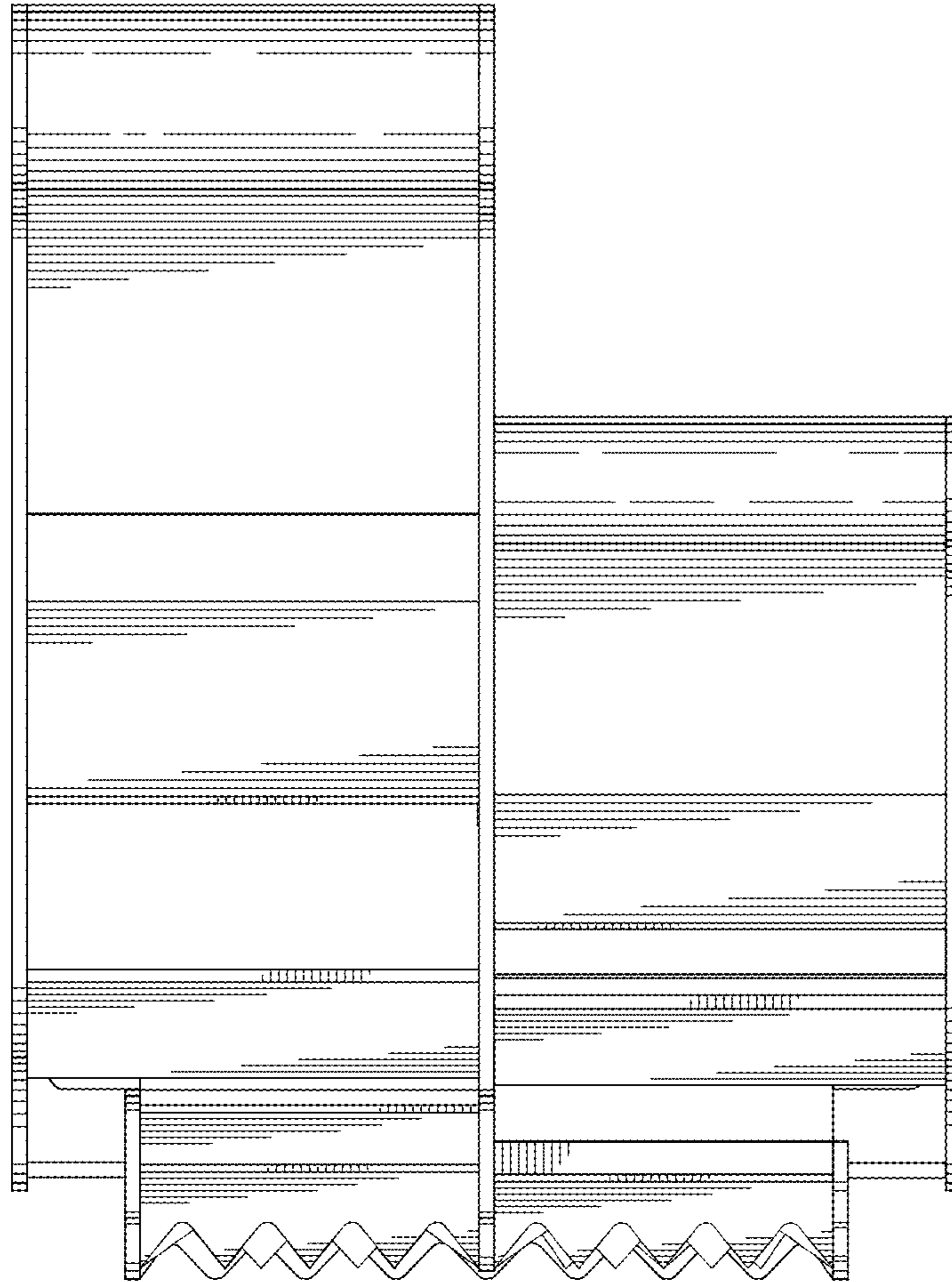


FIG. 5

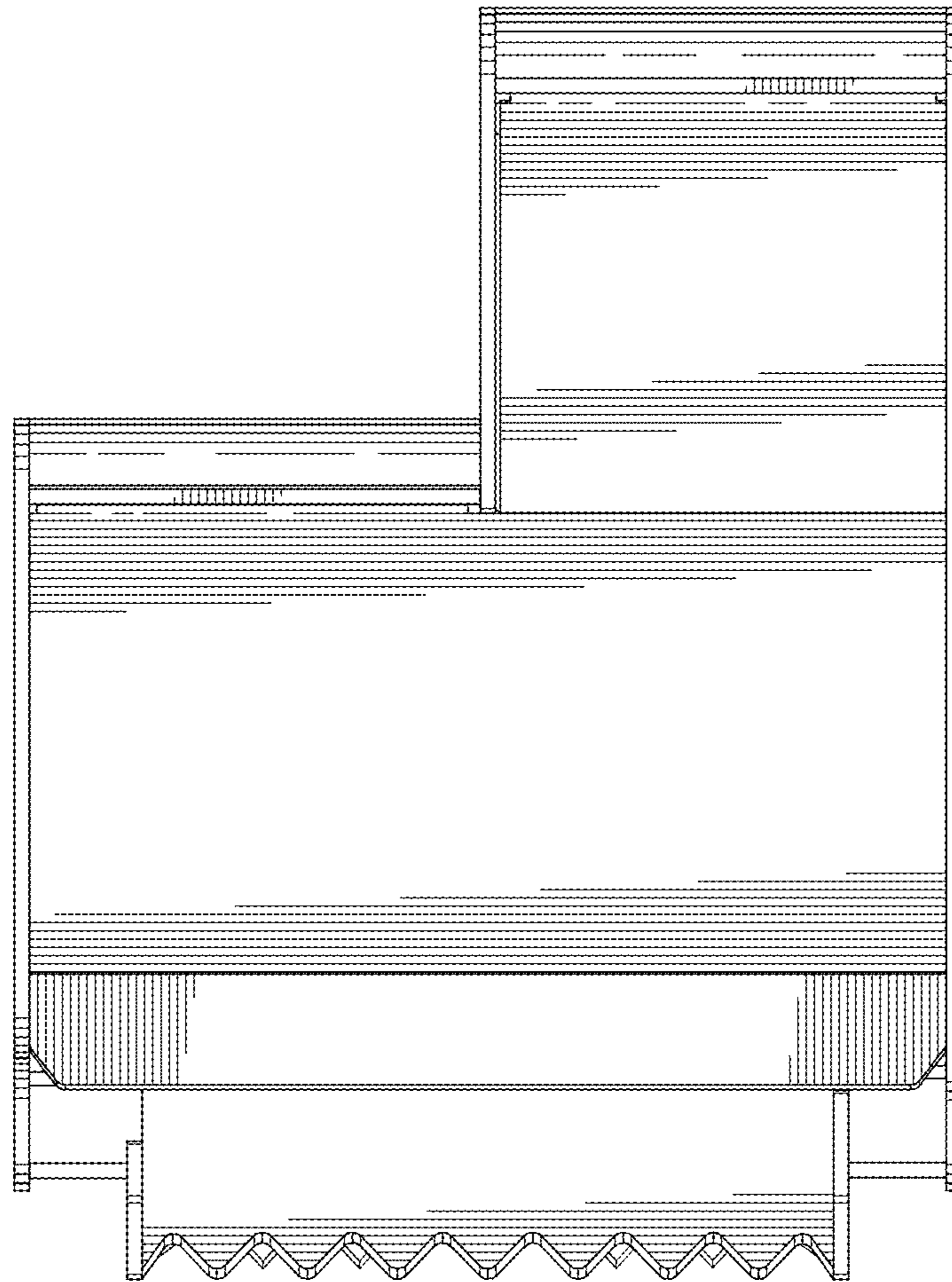


FIG. 6

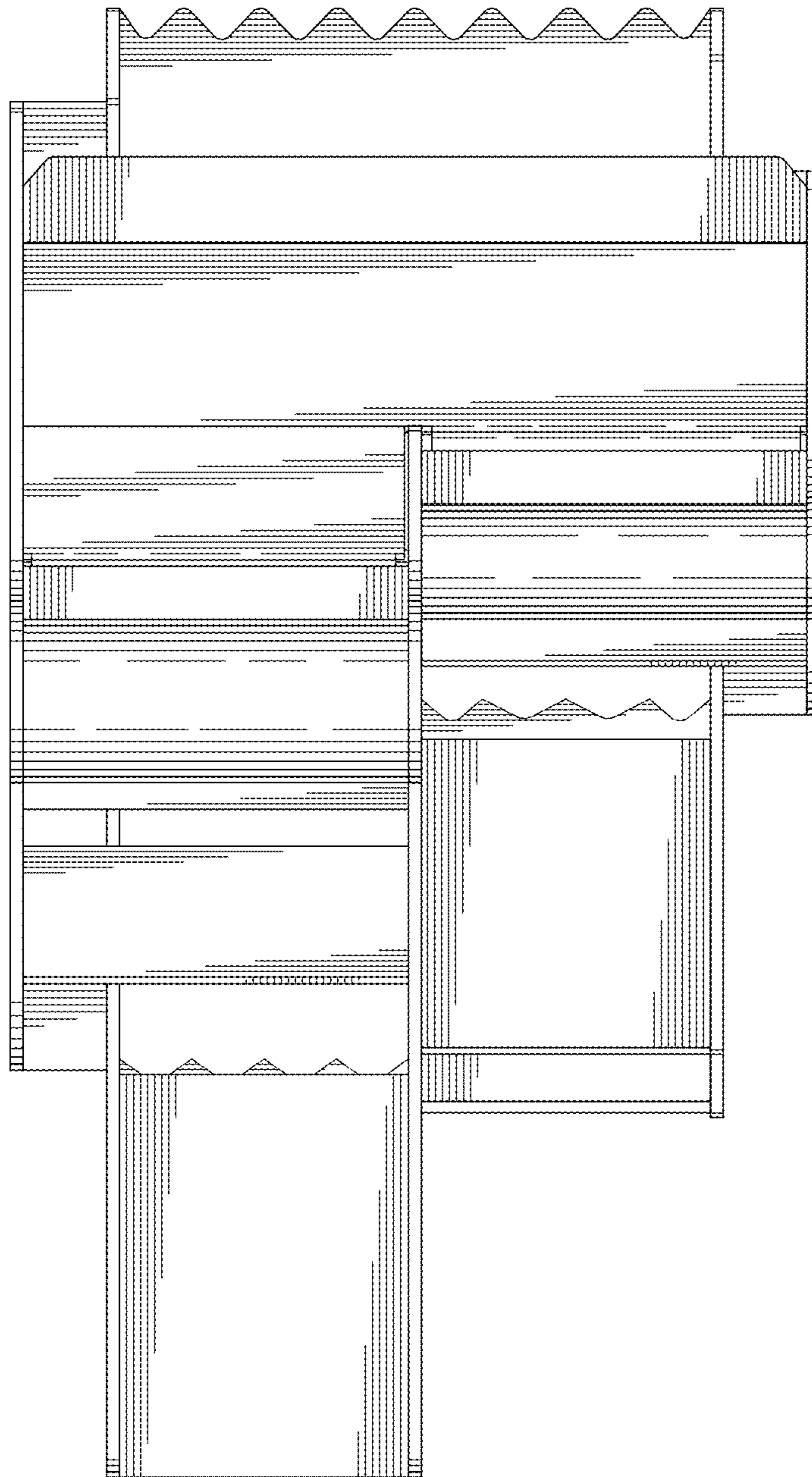


FIG. 7

