



US00D987541S

(12) **United States Design Patent** (10) **Patent No.:** **US D987,541 S**  
**Krolski et al.** (45) **Date of Patent:** **\*\* May 30, 2023**

(54) **WHEEL CHOCK**  
(71) Applicant: **Motis Brands, Inc.**, Germantown, WI (US)  
(72) Inventors: **Robert Krolski**, Kewaskum, WI (US); **Richard Beilstein**, West Bend, WI (US)  
(73) Assignee: **Motis Brands, Inc.**, Germantown, WI (US)

5,697,742 A 12/1997 House  
6,010,287 A 1/2000 Sommermeyer et al.  
6,059,496 A 5/2000 Stevens  
D439,720 S \* 3/2001 Lemon ..... D34/27  
D444,441 S \* 7/2001 Bennett, Jr. .... D12/217  
6,331,094 B1 12/2001 Burrows  
6,575,310 B2 6/2003 Chamoun  
6,640,979 B1 11/2003 Mayfield  
6,648,300 B2 11/2003 Chamoun  
(Continued)

(\*\*) Term: **15 Years**  
(21) Appl. No.: **29/701,014**  
(22) Filed: **Aug. 7, 2019**  
(51) **LOC (14) Cl.** ..... **12-06**  
(52) **U.S. Cl.**  
USPC ..... **D12/217**  
(58) **Field of Classification Search**  
USPC ..... D12/114, 115, 217, 223; D34/31, 34;  
D8/349, 402  
CPC .... B60P 3/06; B60P 3/077; B60T 3/00; B64F  
1/16; B65G 69/005; B61D 45/001; B61D  
3/188  
See application file for complete search history.

**OTHER PUBLICATIONS**

Titan Bulldog motorcycle, available in Amazon.com, Date First Available [Feb. 8, 2016], site visited on [May 23, 2022 URL:https://www.amazon.com/Titan-Bulldog-Cradle-Wheel-Chock/dp/B005DEMZH4/ref=sr\_1\_2?keywords=titan+bulldog+wheel+chock&qid=1654115948&prefix=titan+bulldog+%2Caps%2C109&sr=8-2 (Year: 2016).\*

(Continued)

*Primary Examiner* — Leanne Was-Englehart  
(74) *Attorney, Agent, or Firm* — Andrus Intellectual Property Law, LLP

(57) **CLAIM**

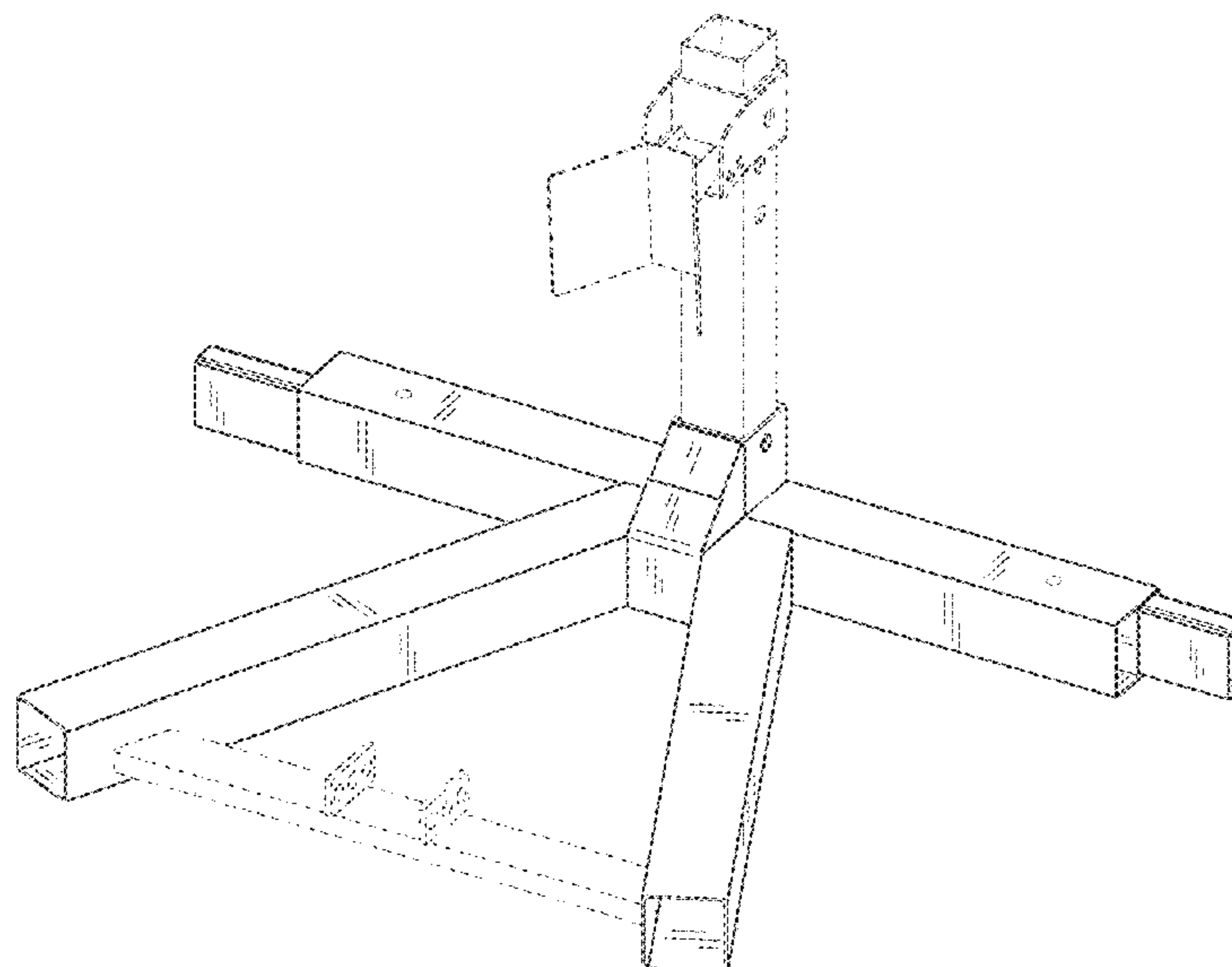
The ornamental design for a wheel chock, as shown and described.

**DESCRIPTION**

FIG. 1 is a perspective view of a wheel chock;  
FIG. 2 is a front view thereof;  
FIG. 3 is a back view thereof;  
FIG. 4 is a right side view thereof;  
FIG. 5 is a left side view thereof;  
FIG. 6 is a top view thereof; and,  
FIG. 7 is a bottom view thereof.  
The broken lines showing of various portions and other elements in the Figures are for the purpose of illustrating unclaimed portions and form no part of the claimed design.

(56) **References Cited**  
U.S. PATENT DOCUMENTS  
2,773,564 A \* 12/1956 Garard ..... B60T 3/00  
D12/217  
2,797,774 A \* 7/1957 Eckhart ..... B60T 3/00  
D12/217  
3,430,983 A 3/1969 Jones  
3,810,530 A \* 5/1974 Jay ..... B60T 3/00  
188/32  
3,861,533 A 1/1975 Radek  
3,912,139 A 10/1975 Bowman  
3,993,167 A \* 11/1976 Reed ..... B60T 3/00  
188/32  
D283,022 S \* 3/1986 Cameron ..... D12/217  
D365,078 S \* 12/1995 Ziaylek ..... D12/217

**1 Claim, 5 Drawing Sheets**



(56)

References Cited

U.S. PATENT DOCUMENTS

6,851,523 B1 \* 2/2005 Gaster ..... B60P 3/077  
188/32

6,935,619 B2 8/2005 Chamoun

7,014,398 B1 3/2006 Hellwig

7,150,359 B1 12/2006 Lyons et al.

7,156,403 B2 1/2007 Abbott

7,316,530 B2 1/2008 Saldana

7,416,373 B2 8/2008 Mock

D605,092 S 12/2009 Buuren

7,641,086 B2 1/2010 Green

D646,614 S \* 10/2011 Brockington ..... D12/217

8,104,588 B2 1/2012 Curlee et al.

D673,106 S \* 12/2012 Rossman ..... D12/217

8,439,612 B2 5/2013 Chamoun

D690,644 S \* 10/2013 Bowman ..... D12/217

8,690,503 B2 4/2014 Chamoun

D720,278 S \* 12/2014 Pinkall ..... D12/217

9,409,508 B2 8/2016 Graham

D775,579 S \* 1/2017 Hughes ..... D12/217

11,021,139 B2 \* 6/2021 Krolski ..... B62H 3/04

D934,591 S \* 11/2021 Cuadra ..... D6/601

2004/0093711 A1 \* 5/2004 Raines ..... B60P 3/077  
29/428

2009/0001031 A1 \* 1/2009 Hutchinson, II ..... B62H 3/08  
211/21

2009/0019901 A1 \* 1/2009 Swasand ..... B60T 3/00  
70/226

2009/0194375 A1 \* 8/2009 Andersen ..... B60T 3/00  
188/32

2009/0194376 A1 \* 8/2009 Brooks ..... B60T 3/00  
188/32

2010/0108448 A1 \* 5/2010 Wyers ..... B60T 3/00  
70/226

2011/0233154 A1 \* 9/2011 St. Louis ..... B62H 3/08  
211/13.1

2012/0257943 A1 10/2012 Chamoun

2015/0158505 A1 \* 6/2015 Johnsen ..... B61D 3/188  
410/30

2015/0343938 A1 \* 12/2015 Graham ..... B60P 3/077  
410/3

2017/0008498 A1 \* 1/2017 Metz ..... B60P 3/077

2019/0329742 A1 \* 10/2019 Stieger ..... B60T 3/00

2021/0031736 A1 \* 2/2021 Perozzo ..... B64F 1/16

2021/0039610 A1 \* 2/2021 Krolski ..... B60P 3/077

OTHER PUBLICATIONS

MotoMaster Motorcycle Wheel Chock, available in , Date First Available [Nov. 18, 2017], site visited on [May 23, 2022 URL:<https://www.canadiantire.ca/en/pdp/motomaster-motorcycle-wheel-chock-1500-lbs-2997001p.html> (Year: 2017).\*

Wheel Chocks for Motorcycles, Dirt Bikes & ATV's & More \_ Black Widow <https://web.archive.org/web/20200808031226/https://www.blackwidowpro.com/c/chocks/> Aug. 8, 2020 (Year: 2020).\*

"BW-CH-DX3 Motorcycle Trailer Chock Instruction Manual", accessed on May 18, 2012.

BW-CH-DX1 Motorcycle Trailer Chock Instruction Manual, Discount Ramps website, retrieved from <https://www.discountramps.com/motorcycle-chock/p/BW-CH-DX1/> on May 17, 2013.

"Baxley LA Trailer Chock", Discount Ramps website, retrieved from <http://www.discountramps.com/baxley-trailer-chock.htm> on May 17, 2013.

"MC-Bedrack", Discount Ramps website, retrieved from <http://www.discountramps.com/motorcycle-tie-dow-rack.htm> on Feb. 4, 2013.

"MC15R Zinc-Coated Removable Motorcycle Wheel Chock", Discount Ramps.com website, retrieved from <http://www.discountramps.com/zinc-motorcycle-wheel-chock.htm> on Mar. 30, 2013.

\* cited by examiner

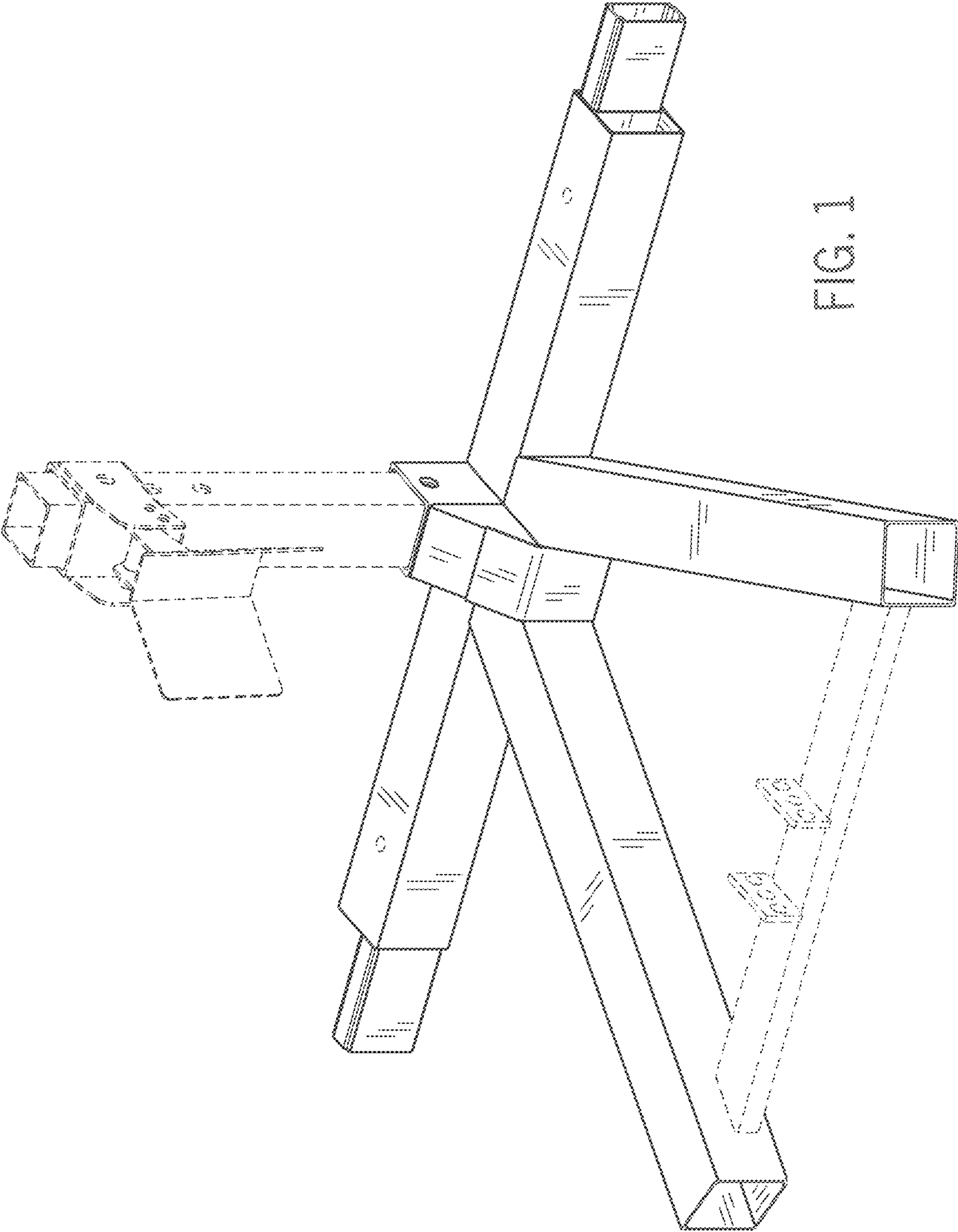


FIG. 1

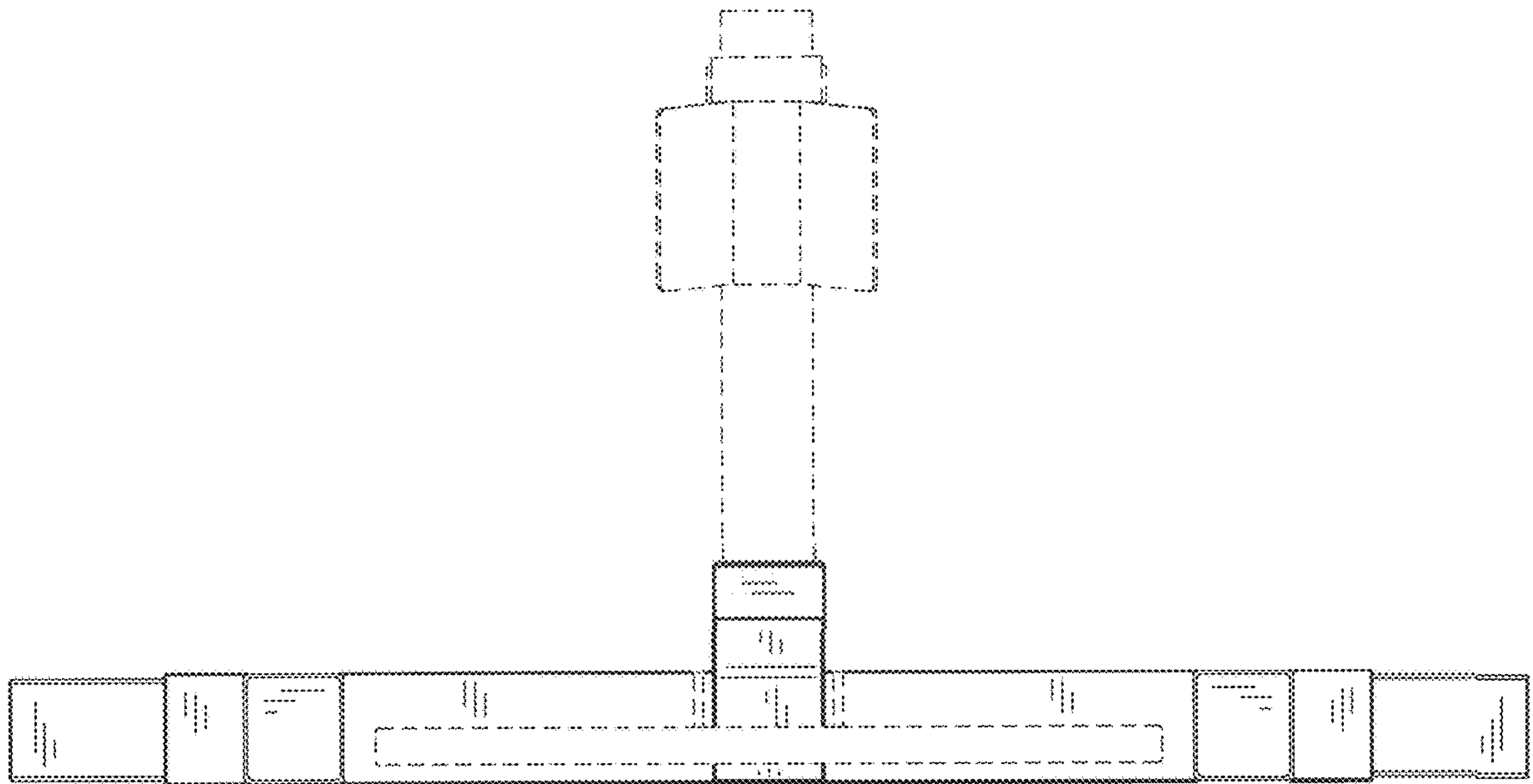


FIG. 2

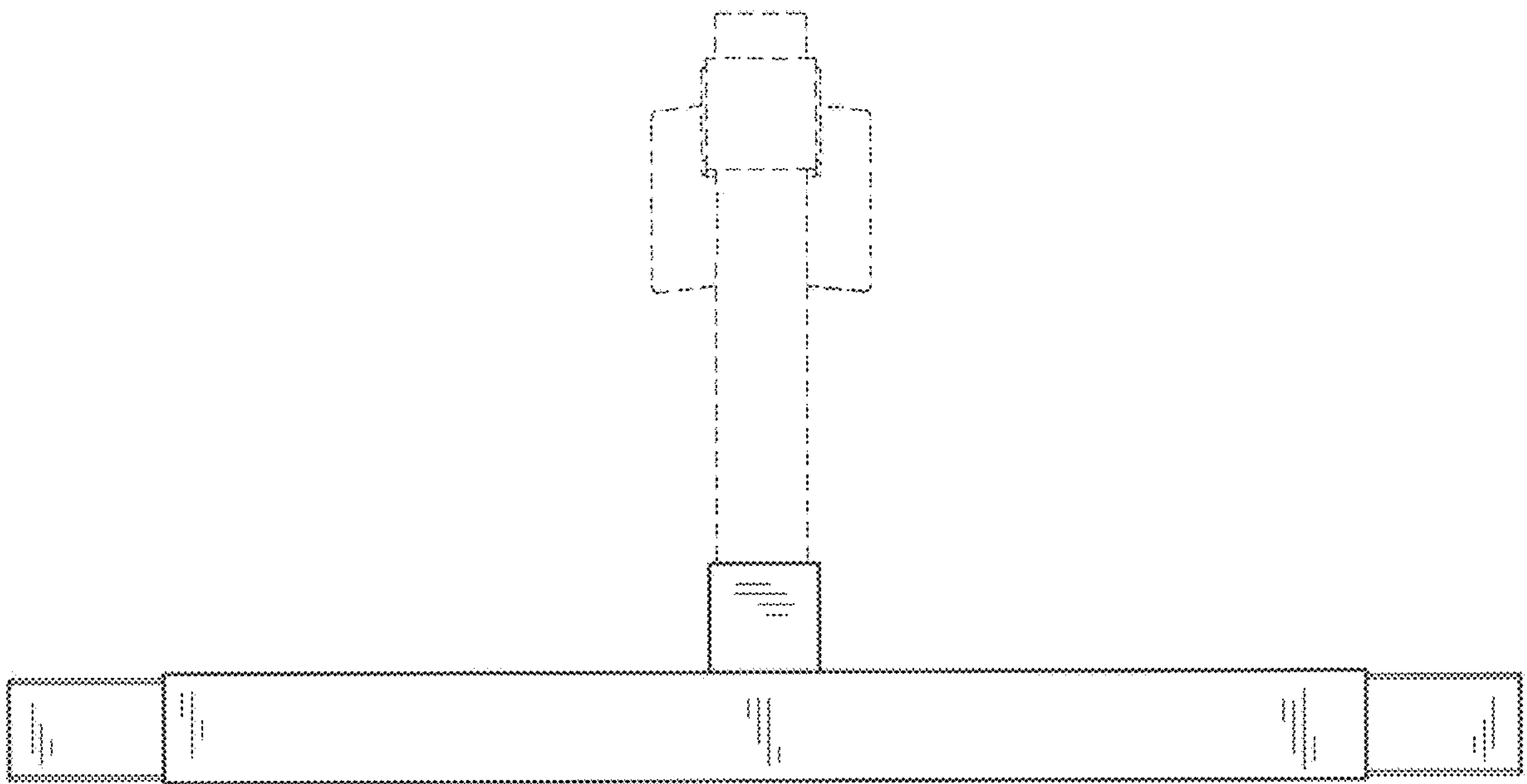


FIG. 3



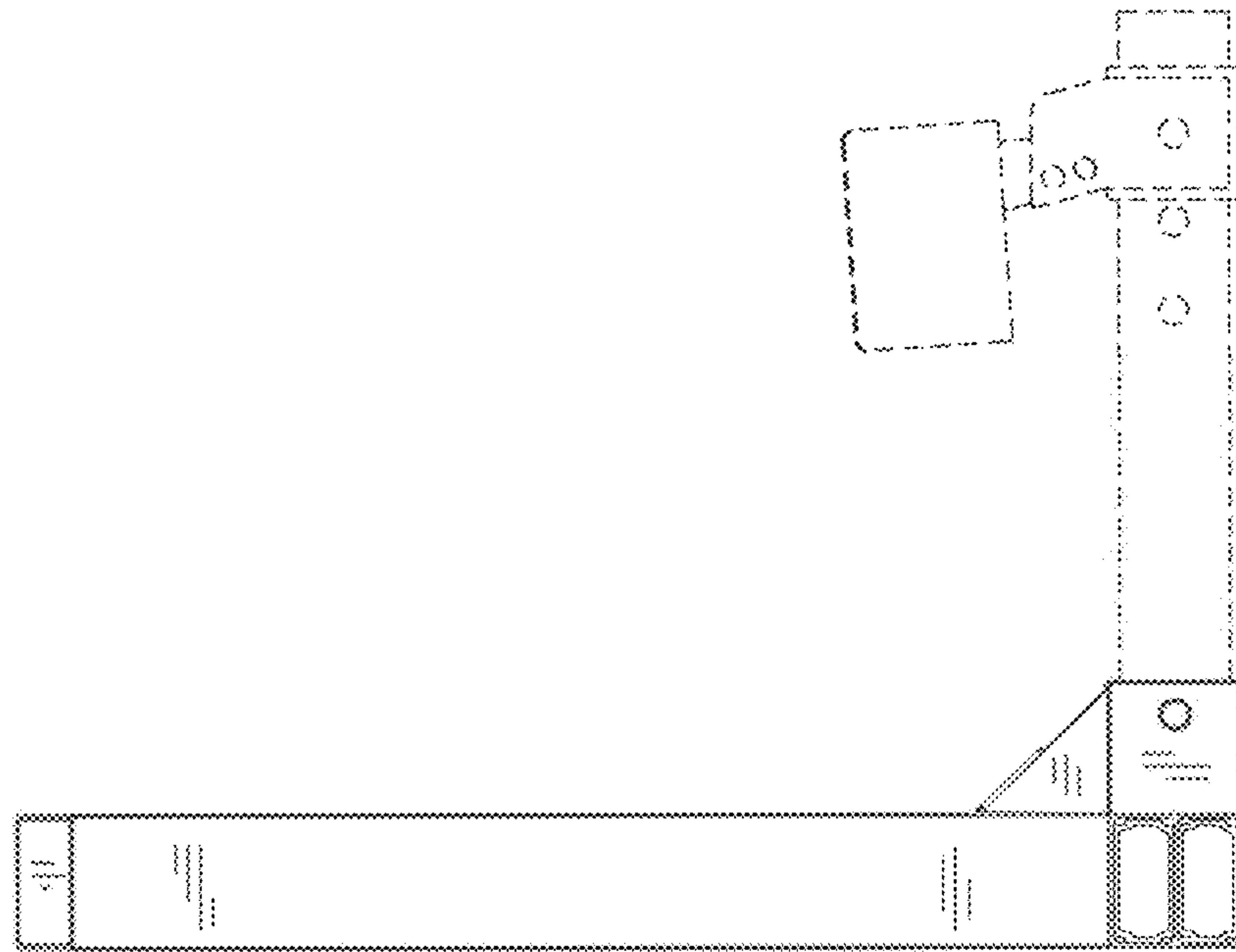


FIG. 4

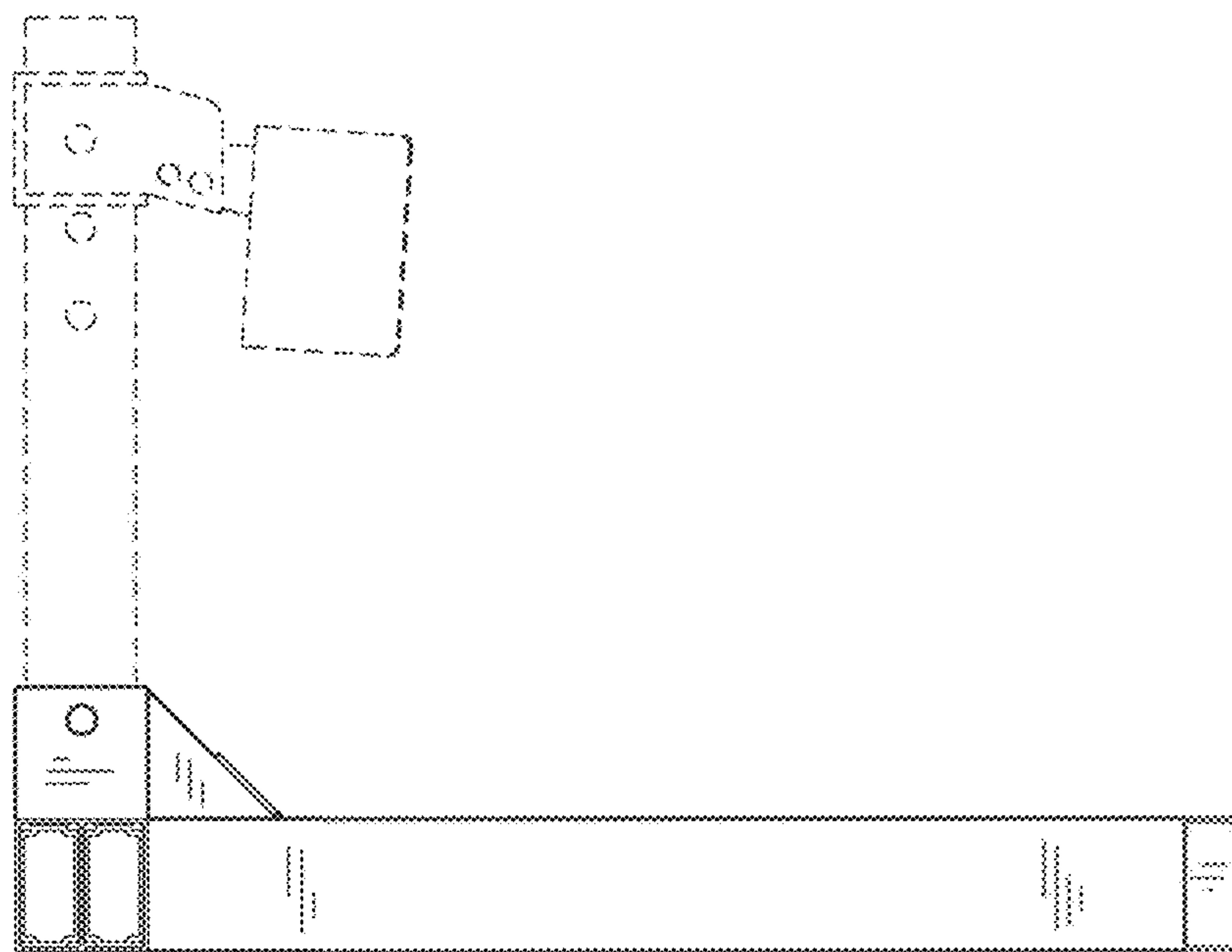


FIG. 5

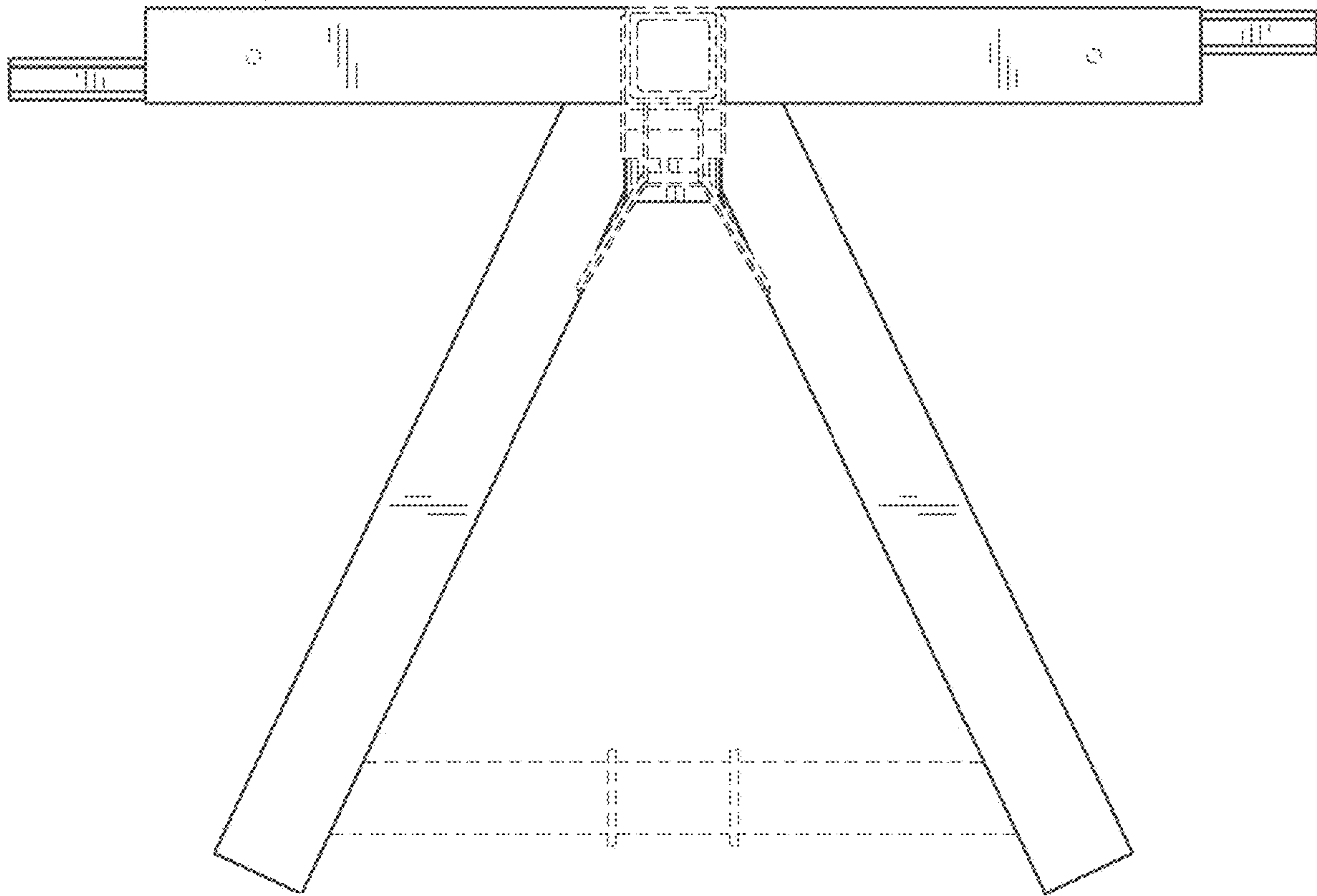


FIG. 6

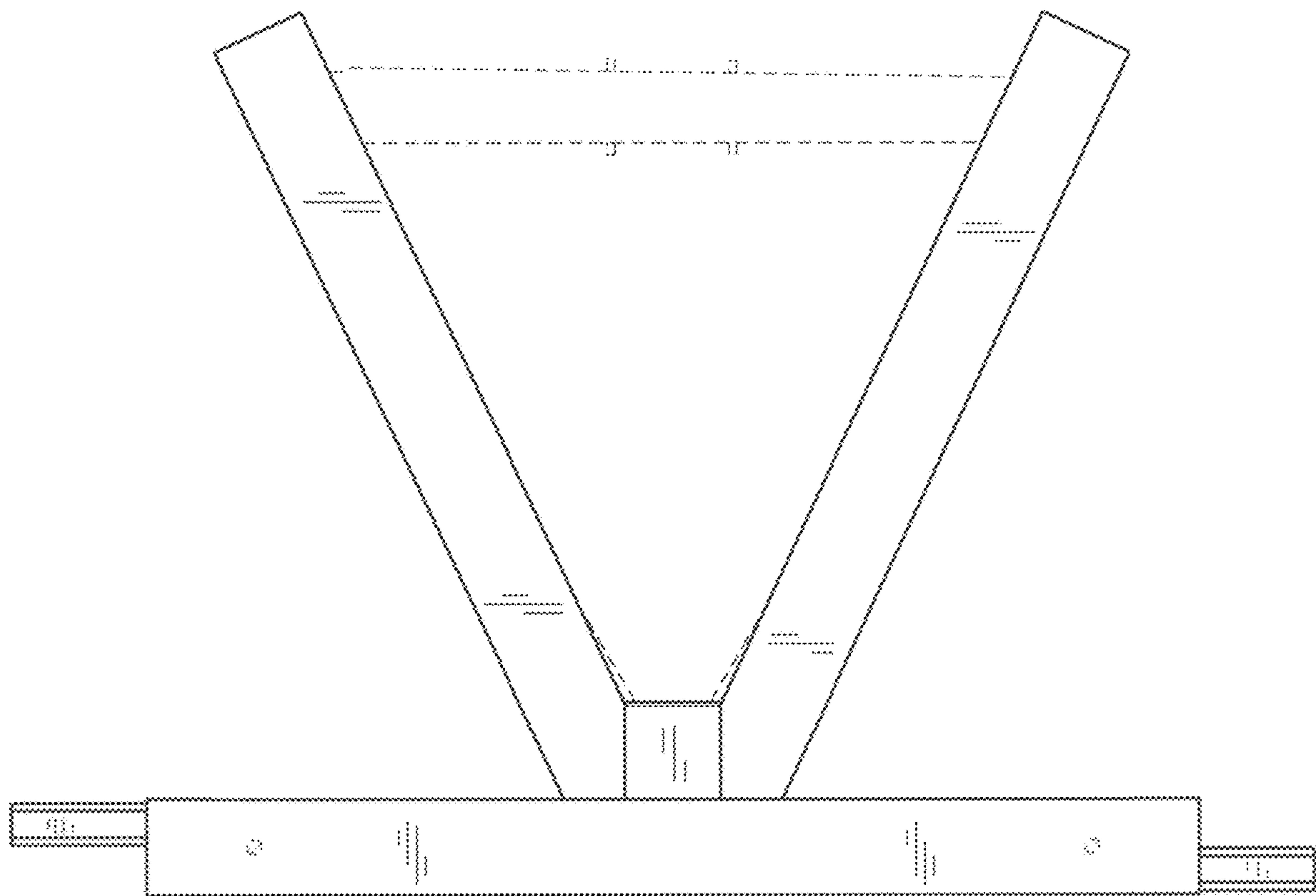


FIG. 7