



US00D987540S

(12) **United States Design Patent** (10) **Patent No.:** **US D987,540 S**
Kaski et al. (45) **Date of Patent:** **** May 30, 2023**

(54) **VEHICLE WHEEL CENTER CAP**
(71) Applicant: **Ford Global Technologies, LLC**,
Dearborn, MI (US)
(72) Inventors: **Mark Kaski**, Royal Oak, MI (US);
Melvin Betancourt, Shelby Township,
MI (US); **Dean Carbis**, Bloomfield
Hills, MI (US)
(73) Assignee: **Ford Global Technologies, LLC**,
Dearborn, MI (US)

D831,558 S * 10/2018 Starr, Jr. D12/209
D838,228 S * 1/2019 Chung D12/213
D842,185 S * 3/2019 Chung D12/209
D845,863 S * 4/2019 Chung D12/211
D847,721 S * 5/2019 Chung D12/211
D852,714 S * 7/2019 Hale, Jr. D12/213
D852,715 S * 7/2019 Ash D12/213
D857,580 S * 8/2019 Liffick D12/209
D860,105 S * 9/2019 Moore D12/213
D885,296 S * 5/2020 Hale, Jr. D12/213
D896,154 S * 9/2020 Piscitelli D12/209

(Continued)

(**) Term: **15 Years**

(21) Appl. No.: **29/770,560**

(22) Filed: **Feb. 12, 2021**

(51) **LOC (14) Cl.** **12-16**

(52) **U.S. Cl.**
USPC **D12/213**

(58) **Field of Classification Search**
USPC D12/204–215, 223, 501, 563
CPC B60B 7/0013; B60B 7/08; B60B 7/00;
B60B 7/066; B60B 7/068; B60B 7/04;
B60B 2320/50; B60B 25/00; B60B
2900/572; B60B 7/01; B60B 7/063

See application file for complete search history.

(56) **References Cited**

U.S. PATENT DOCUMENTS

D303,103 S * 8/1989 Brouch D12/207
D498,447 S * 11/2004 Kato D12/207
D662,869 S * 7/2012 Ballard D12/213
D702,174 S * 4/2014 Gordon D12/213
D751,022 S * 3/2016 Chung D12/213
D751,489 S * 3/2016 Chung D12/213
D761,183 S * 7/2016 Bennett B60B 7/0013
D12/213
D767,465 S * 9/2016 Liffick D12/209
D803,137 S * 11/2017 Platto D12/213

OTHER PUBLICATIONS

Ford Ranger 2019-2020 Center Cap available in Centercaps.net, site visited on [Jul. 28, 2022 URL:https://centercaps.net/products/ford-ranger-19-20-center-cap-3731 (Year: 2022).*

(Continued)

Primary Examiner — Leanne Was-Englehart
(74) *Attorney, Agent, or Firm* — Marla Johnston

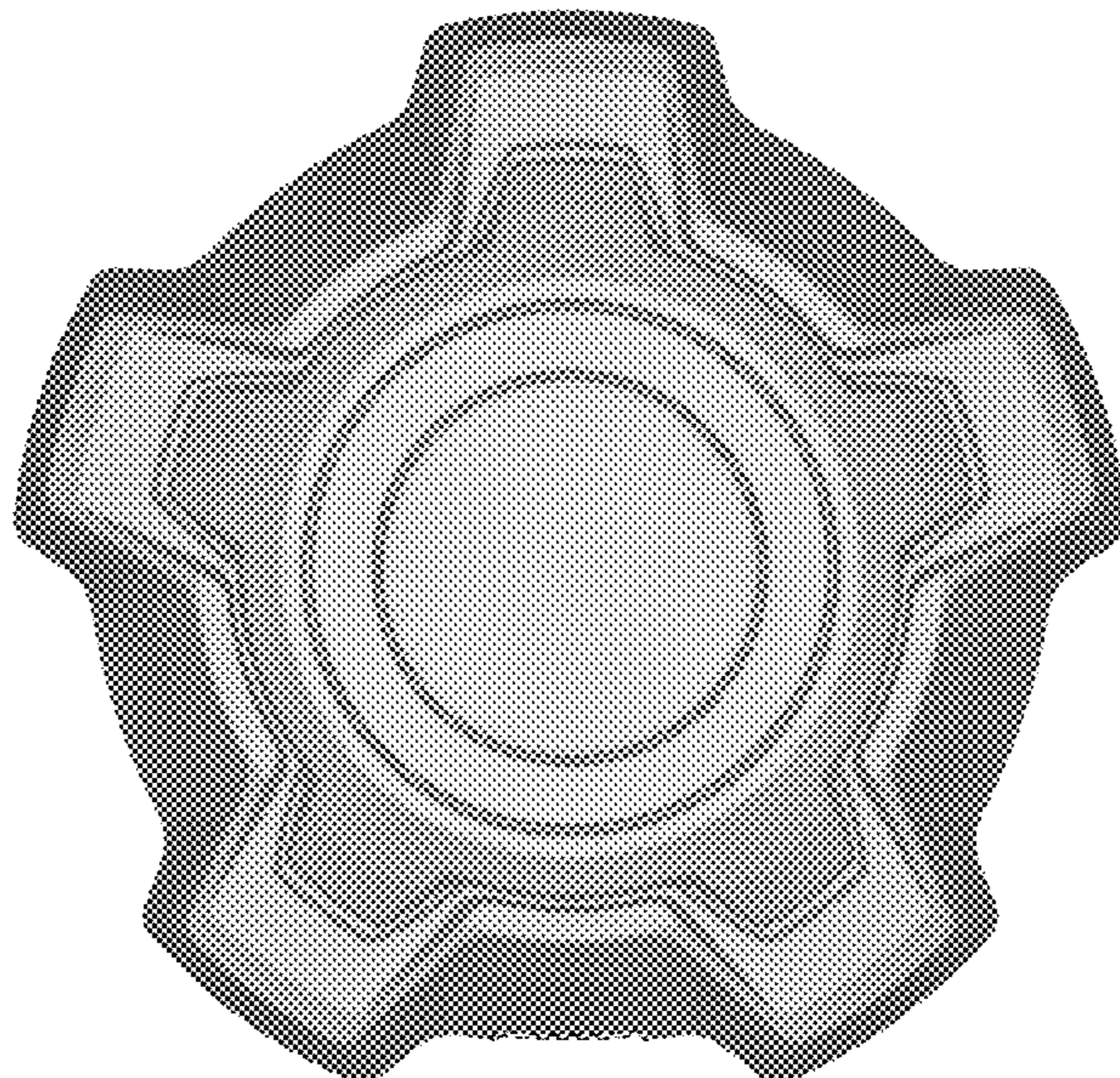
(57) **CLAIM**

The ornamental design for a vehicle wheel center cap, as shown and described.

DESCRIPTION

FIG. 1 is a front elevational view of a vehicle wheel center cap showing our new design;
FIG. 2 is a left side elevational view thereof;
FIG. 3 is a right side elevational view thereof;
FIG. 4 is a top plan view thereof;
FIG. 5 is a bottom plan view thereof;
FIG. 6 is a top, front and right side perspective view thereof;
and,
FIG. 7 is a top, front and left side perspective view thereof.
The broken lines illustrate portions of the vehicle wheel center cap that form no part of the claimed design.

1 Claim, 7 Drawing Sheets



(56)

References Cited

U.S. PATENT DOCUMENTS

D904,965 S * 12/2020 Horlick D12/213
 D911,246 S * 2/2021 Lickliter D12/213
 D940,043 S * 1/2022 Carbis D12/213

OTHER PUBLICATIONS

Sparkoo Wheel Rim Center Hub Cap Amazon Canada https://www.amazon.ca/Sparkoo-Chrome-Motorsports-C800805-A89-9865/dp/B07R24TGDF/ref=d_pd_sbs_scl_3_12/147-8882239-3868607?pd_rd_w=QSOBX&content-id=amzn1.sym.512418a2-508f-4b19-a838-8025b8a8c102&pf_rd_p=512418a2-508f-4b19-a838-8025b8a8c102&pf_rd_r=8RJ20VVVWKYP1PKQFNWQ&pd_rd_wg=BO4xM&pd_rd_r=9997a152-5a46-41c8-9a32-74ebdab52a6c&pd_rd_i=B07R24TGDF&th=1 May 12, 2019 (Year: 2019).*

Andre Smirnov, Leaked: 2022 Ford Maverick Truck? Could This Be The Next Ford Ranger or Bronco-Based Pickup?, <https://tfltruck.com/2020/04/leaked-2022-ford-maverick-truck-could-this-be-the-next-ford-ranger-or-bronco-based-pickup/> Apr. 30, 2020.

Viknesh Vijayenthiran, 2022 Ford Maverick Spy Shots: Compact Pickup on the way, https://www.motorauthority.com/news/1129703_2022-ford-maverick-spy-shots Sep. 23, 2020.

Brett Foote, Ford Maverick Pickup Will Only Be Available In Four-Door Configuration, <https://fordauthority.com/2020/12/ford-maverick-pickup-will-only-be-available-in-four-door-configuration/> Dec. 7, 2020.

Chris Bruce, 2022 Ford Maverick Caught In Bare Metal, Revealing its Design, <https://www.motor1.com/news/458839/2022-ford-maverick-bare-metal/> Dec. 7, 2020.

Mr Robot, Ford Maverick Unibody Fully Revealed!, <https://www.mavericktruckclub.com/forum/threads/ford-maverick-unibody-fully-revealed.13/> Dec. 7, 2020.

Chris Bruce, 2022 Ford Maverick May Only Be Available In Four-Door Super Crew Body, <https://www.motor1.com/news/459229/2022-ford-maverick-super-crew/> Dec. 9, 2020.

Paul A. Eisenstein, Return Of The Ford Maverick—But This Time It’s Going To Be A Compact Pickup, <https://www.thedetroitbureau.com/2020/12/return-of-the-ford-maverick-but-this-time-its-going-to-be-a-compact-pickup/> Dec. 9, 2020.

Allison Barfield, The 2022 Ford Maverick Looks Bigger Than Expected, <https://www.motorbiscuit.com/the-2022-ford-maverick-looks-bigger-than-expected/> Dec. 12, 2020.

Alexander Stoklosa, 2022 Ford Maverick: Here It Is, Looking Compact and Surprisingly Trucky, <https://www.motortrend.com/news/2022-ford-maverick-spy-photo-factory-details/> Jan. 8, 2021.

Josh Byrnes, 2022 Ford Maverick: Everything We Know About The Blue Oval’s Baby Truck, <https://www.carscoops.com/2021/01/2022-ford-maverick-everything-we-know-about-the-blue-ovals-baby-truck/> Jan. 30, 2021.

* cited by examiner

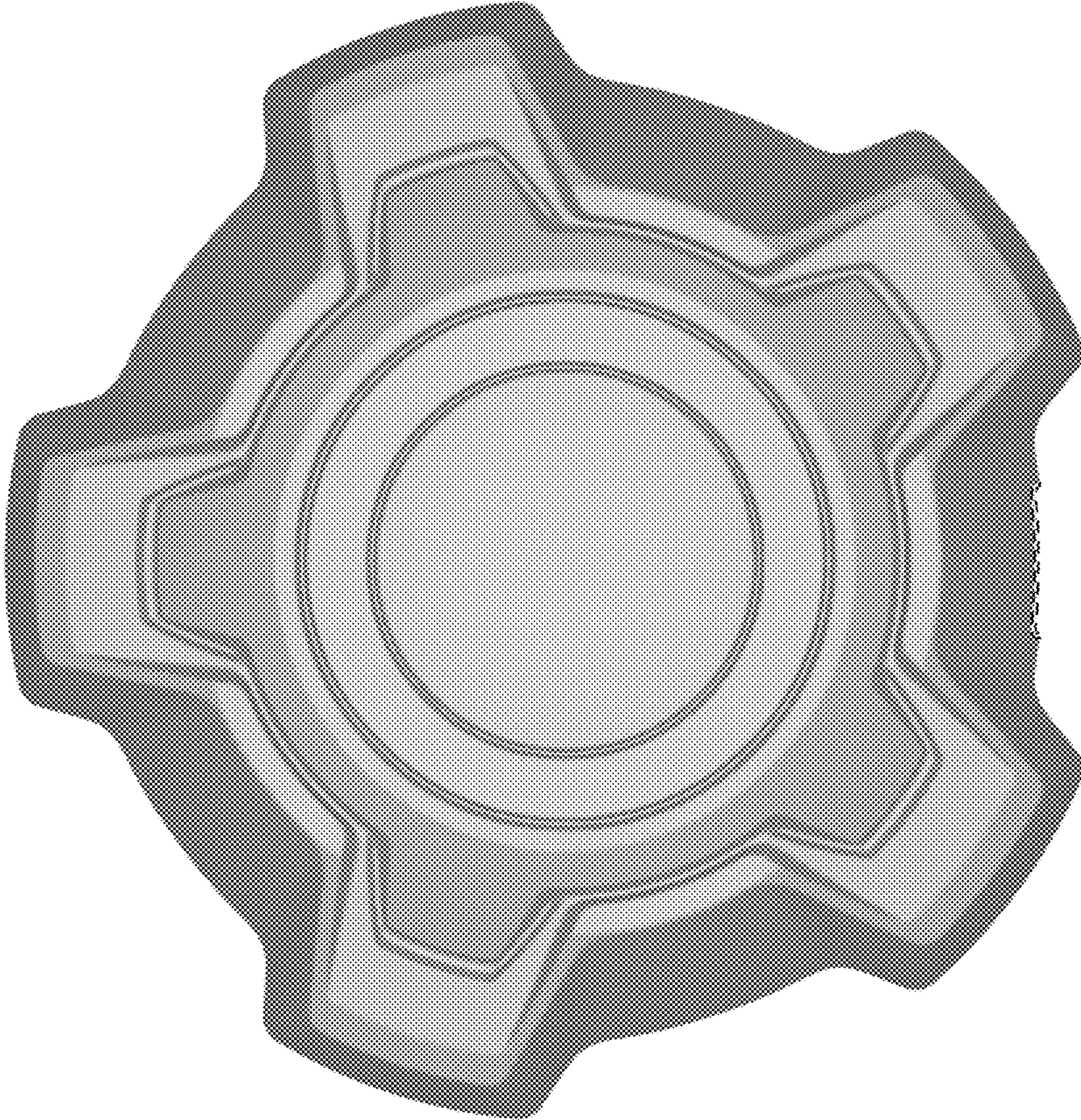
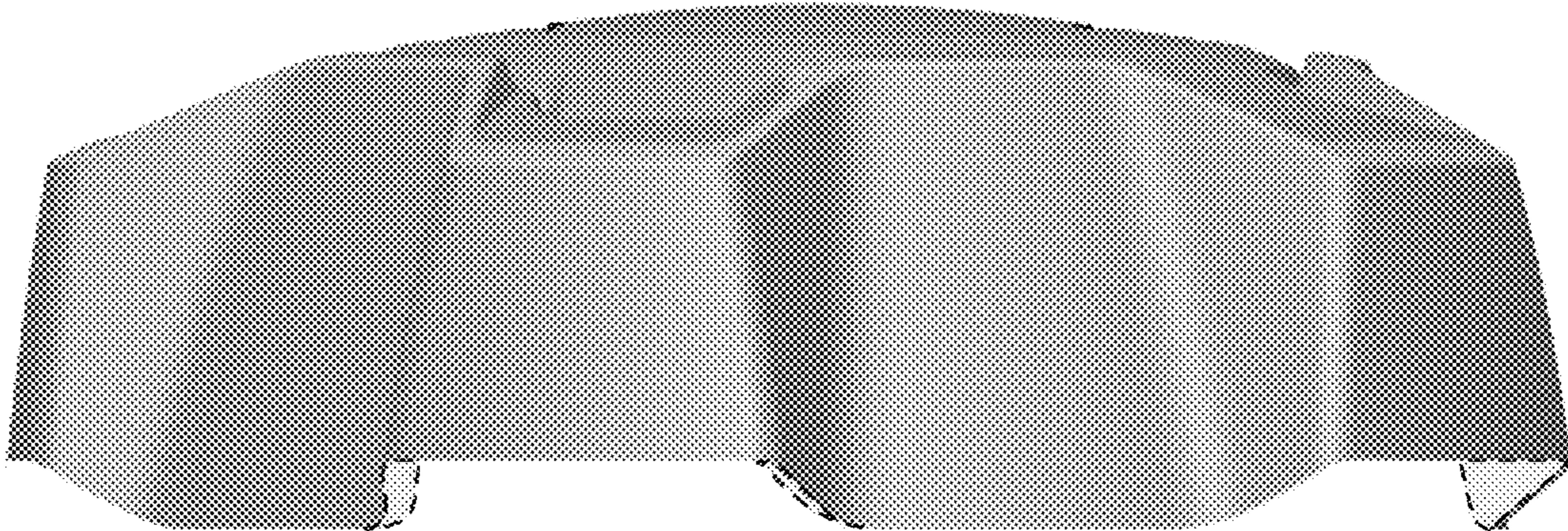


Fig.1

Fig. 2



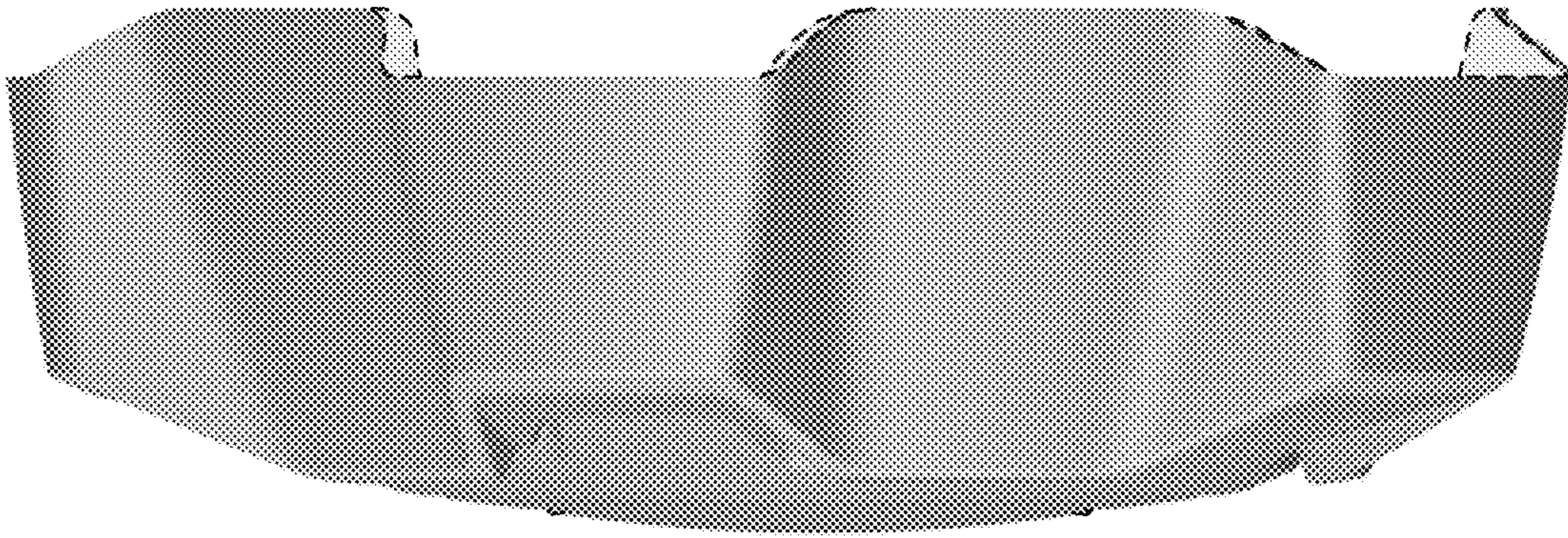


Fig. 3

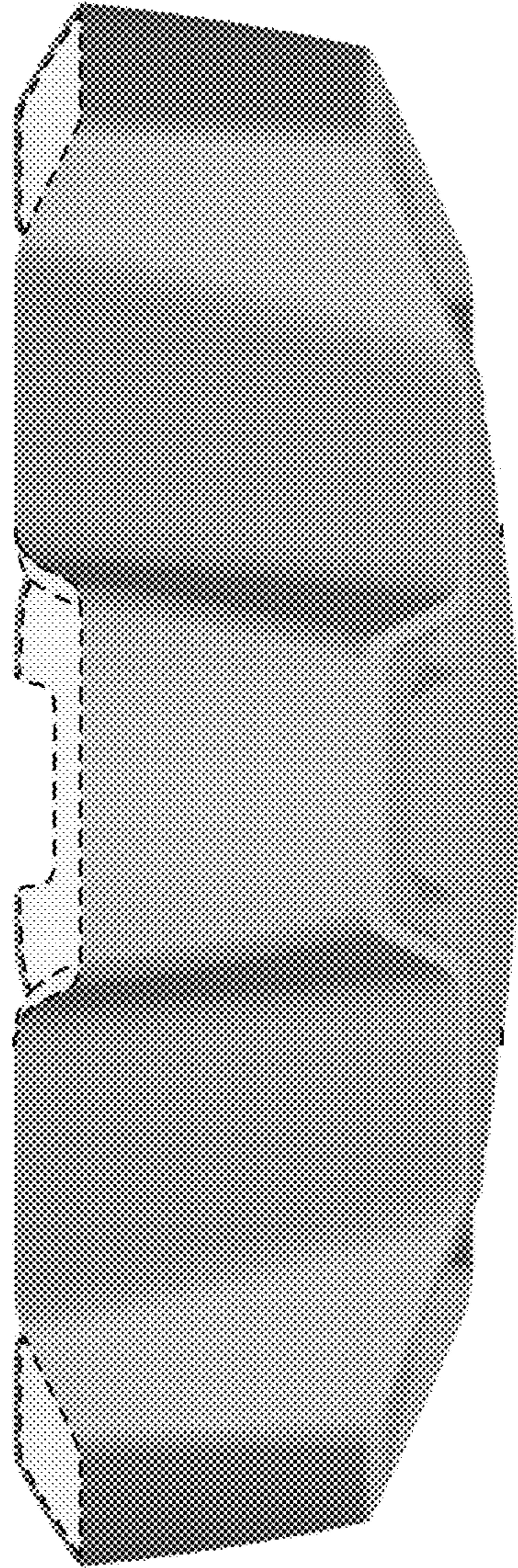


Fig.4

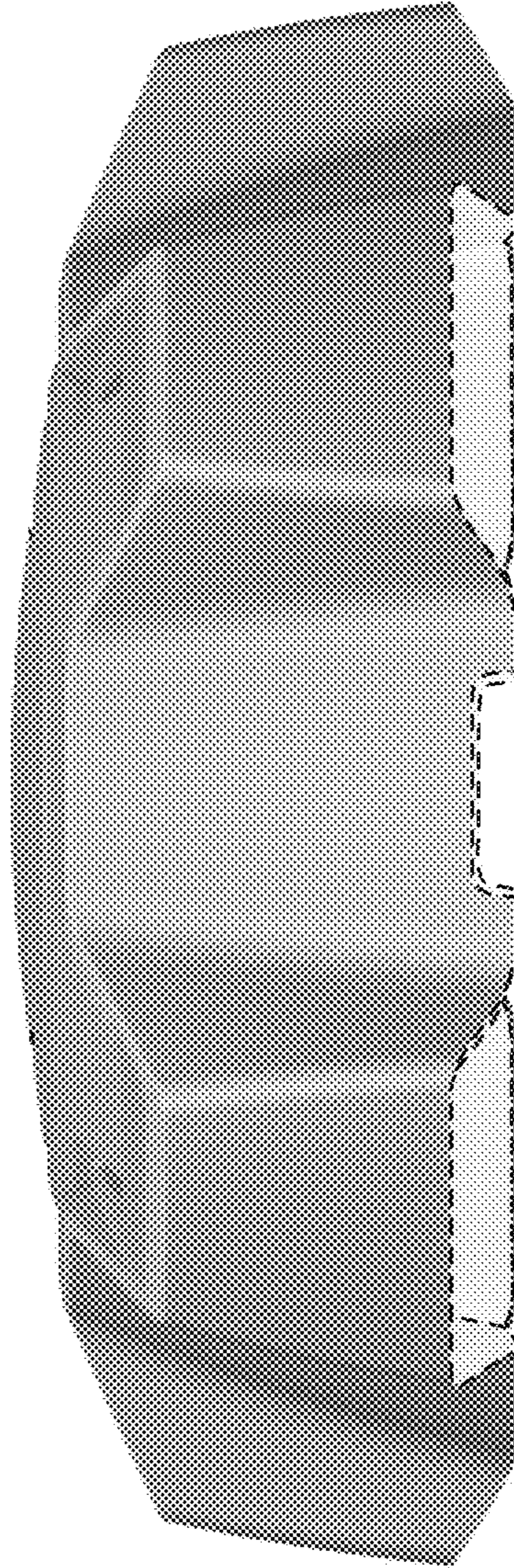


Fig. 5

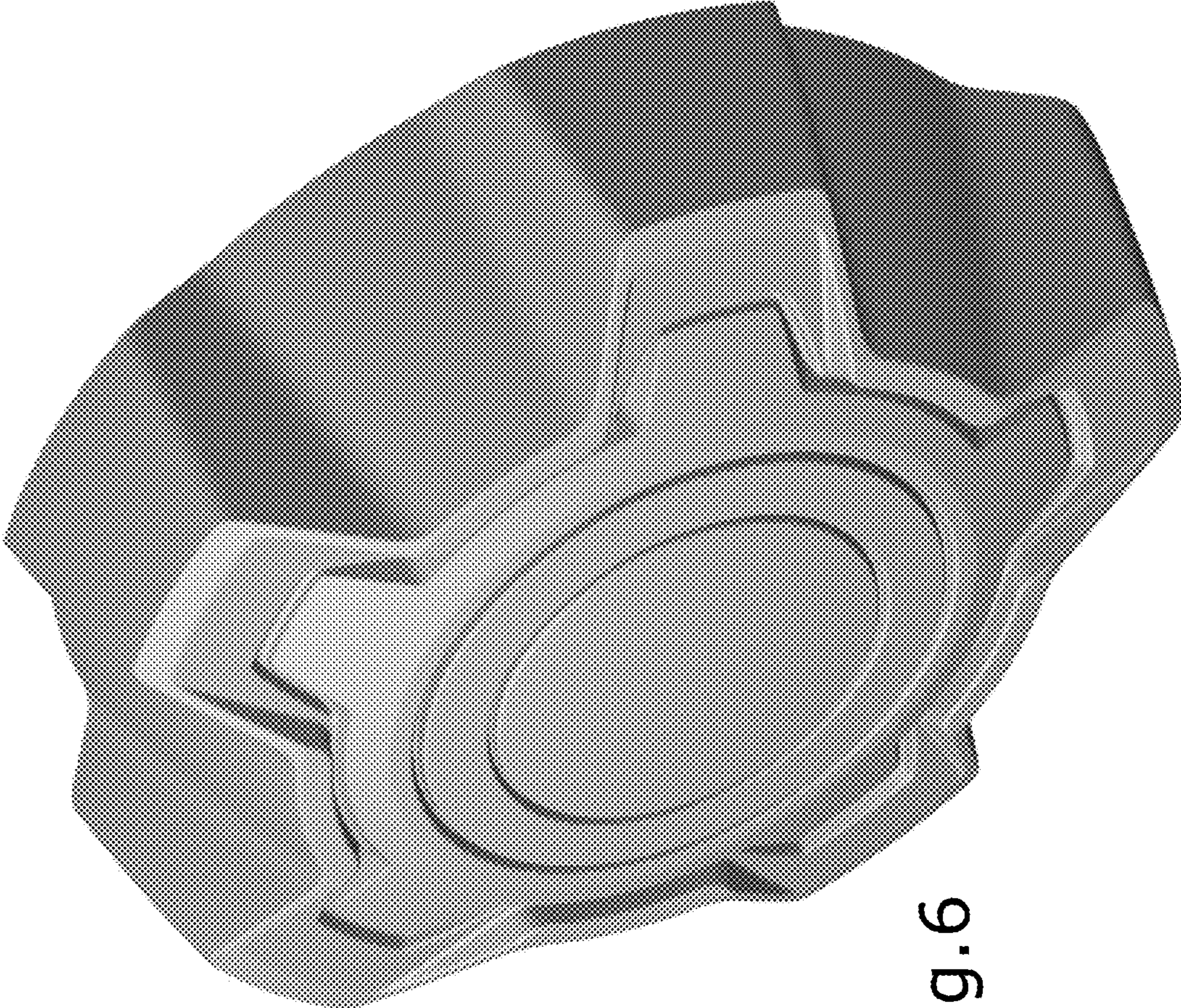


Fig.6

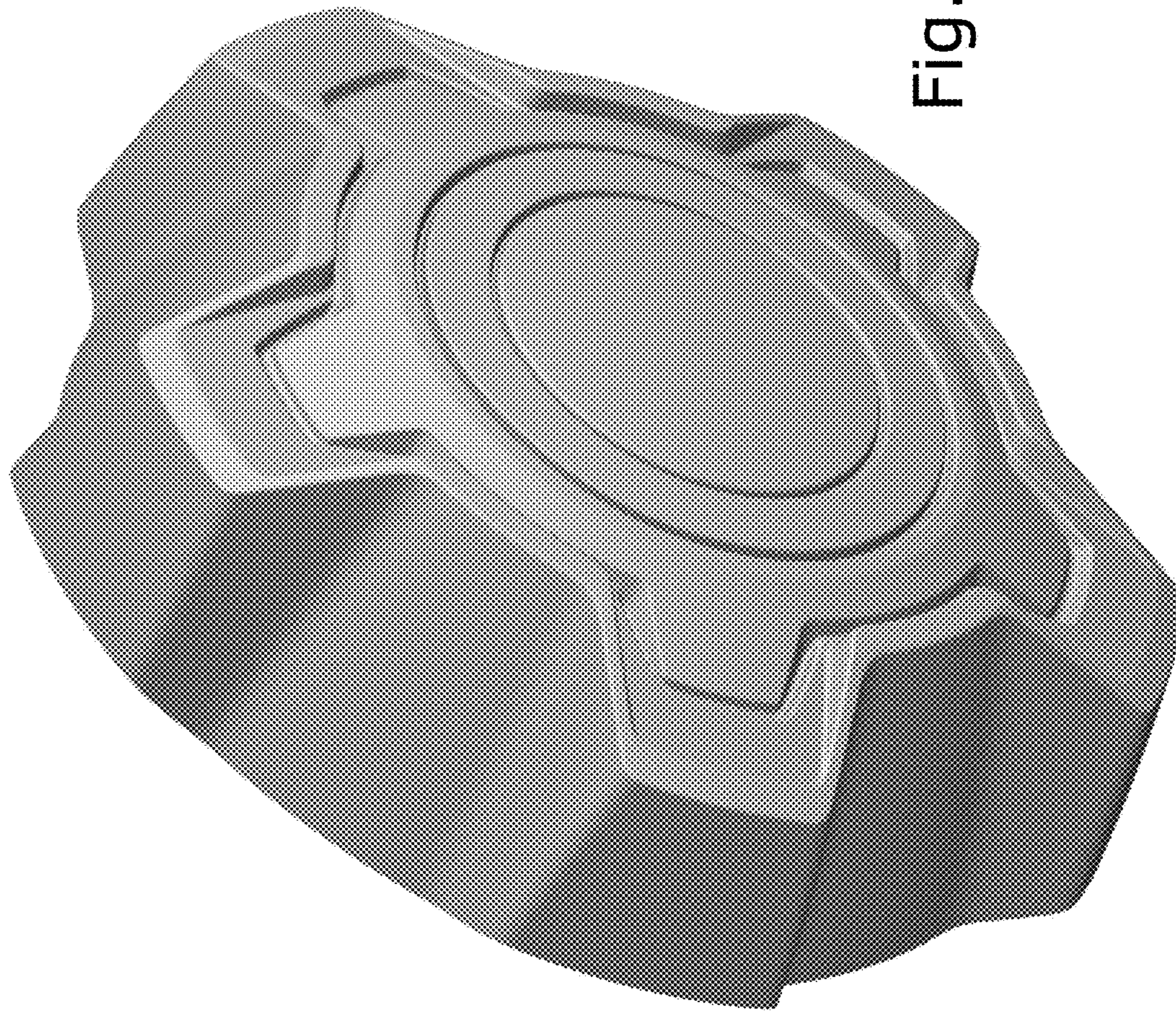


Fig. 7