



US00D987536S

(12) **United States Design Patent**
Liu et al.

(10) **Patent No.:** **US D987,536 S**
(45) **Date of Patent:** **** May 30, 2023**

(54) **VEHICLE WHEEL**
(71) Applicant: **CITIC Dicastal Co., Ltd.,**
Qinhuangdao (CN)
(72) Inventors: **Zhichong Liu,** Qinhuangdao (CN);
Shiwen Xu, Qinhuangdao (CN);
Zhijia Zhu, Qinhuangdao (CN); **Zuo**
Xu, Qinhuangdao (CN)
(73) Assignee: **CITIC Dicastal Co., Ltd.,**
Qinhuangdao (CN)

D638,764 S * 5/2011 Groom D12/209
D644,976 S * 9/2011 Nissl D12/209
D644,977 S * 9/2011 Juergens D12/211
D650,315 S * 12/2011 Juergens D12/211
D738,804 S * 9/2015 George D12/209
D883,170 S * 5/2020 Tian D12/209
D893,390 S * 8/2020 Liu D12/209
D942,346 S * 2/2022 Ishibashi D12/209
D966,983 S * 10/2022 Shida D12/209
D968,307 S * 11/2022 Matsuda D12/211
D969,713 S * 11/2022 Liu D12/211

(**) Term: **15 Years**

* cited by examiner

Primary Examiner — Cary M Robinson

Assistant Examiner — Adam C Mager

(74) *Attorney, Agent, or Firm* — IPro, PLLC

(21) Appl. No.: **29/781,674**

(22) Filed: **Apr. 30, 2021**

(51) **LOC (14) Cl.** **12-16**

(57) **CLAIM**

(52) **U.S. Cl.**
USPC **D12/211**

The ornamental design for a vehicle wheel, as shown and described.

(58) **Field of Classification Search**
USPC D12/204–213, 501; D21/563, 779
CPC B60B 7/00; B60B 7/01; B60B 7/02; B60B
7/04; B60B 7/06; B60B 3/02; B60B 3/04;
B60B 3/06; B60B 3/10; B60B 1/00;
B60B 1/08; B60B 1/10; B60B 1/12
See application file for complete search history.

DESCRIPTION

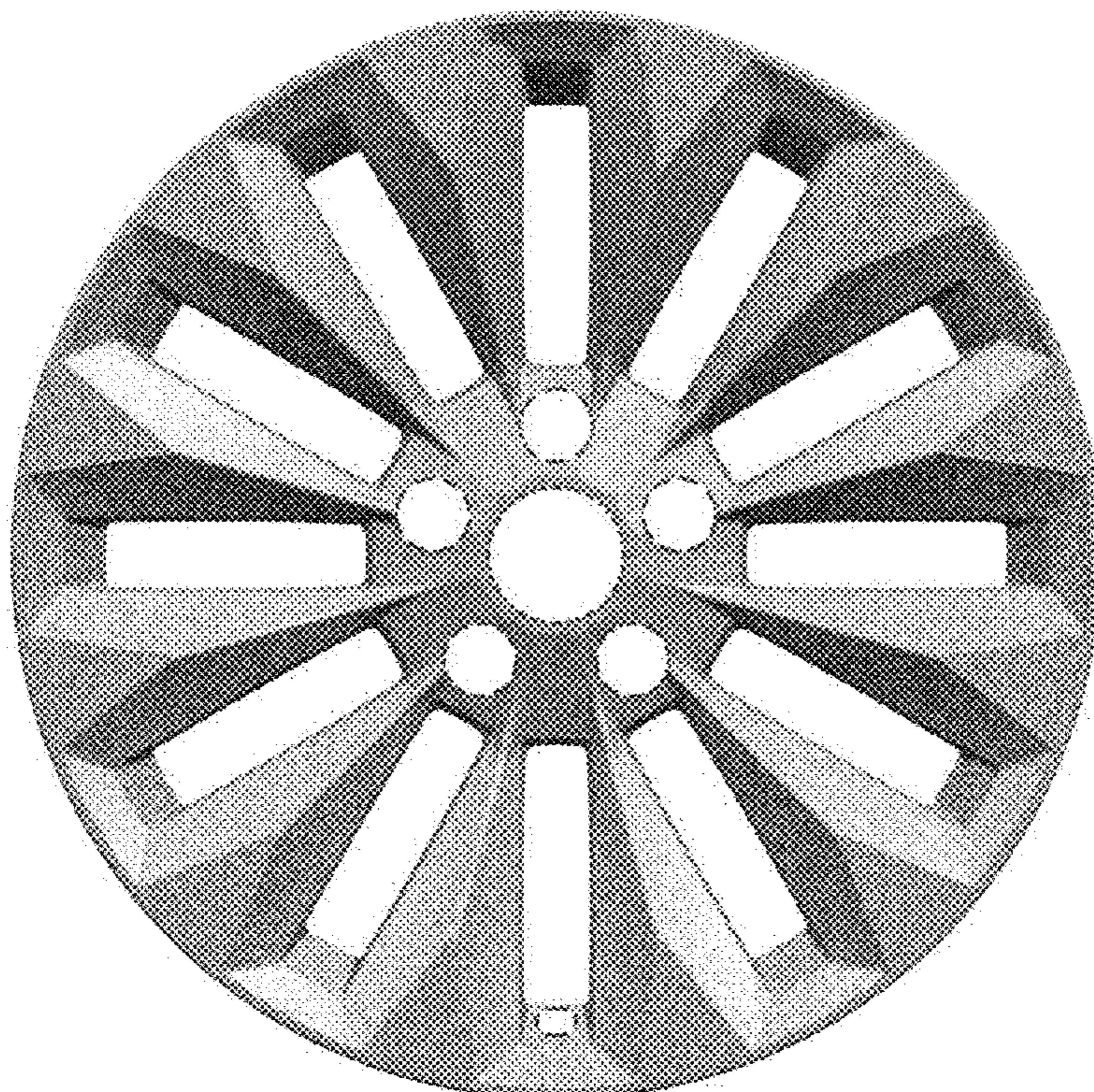
FIG. 1 is a front view of a vehicle wheel.
FIG. 2 is a perspective view of the vehicle wheel; and,
FIG. 3 is a left side view of the vehicle wheel.
The broken lines in the drawings are for the purpose of
illustrating portions of the vehicle wheel in which the design
is embodied that form no part of the claimed design.

(56) **References Cited**

U.S. PATENT DOCUMENTS

D608,713 S * 1/2010 Bucher D12/209
D625,675 S * 10/2010 Juergens D12/209

1 Claim, 3 Drawing Sheets



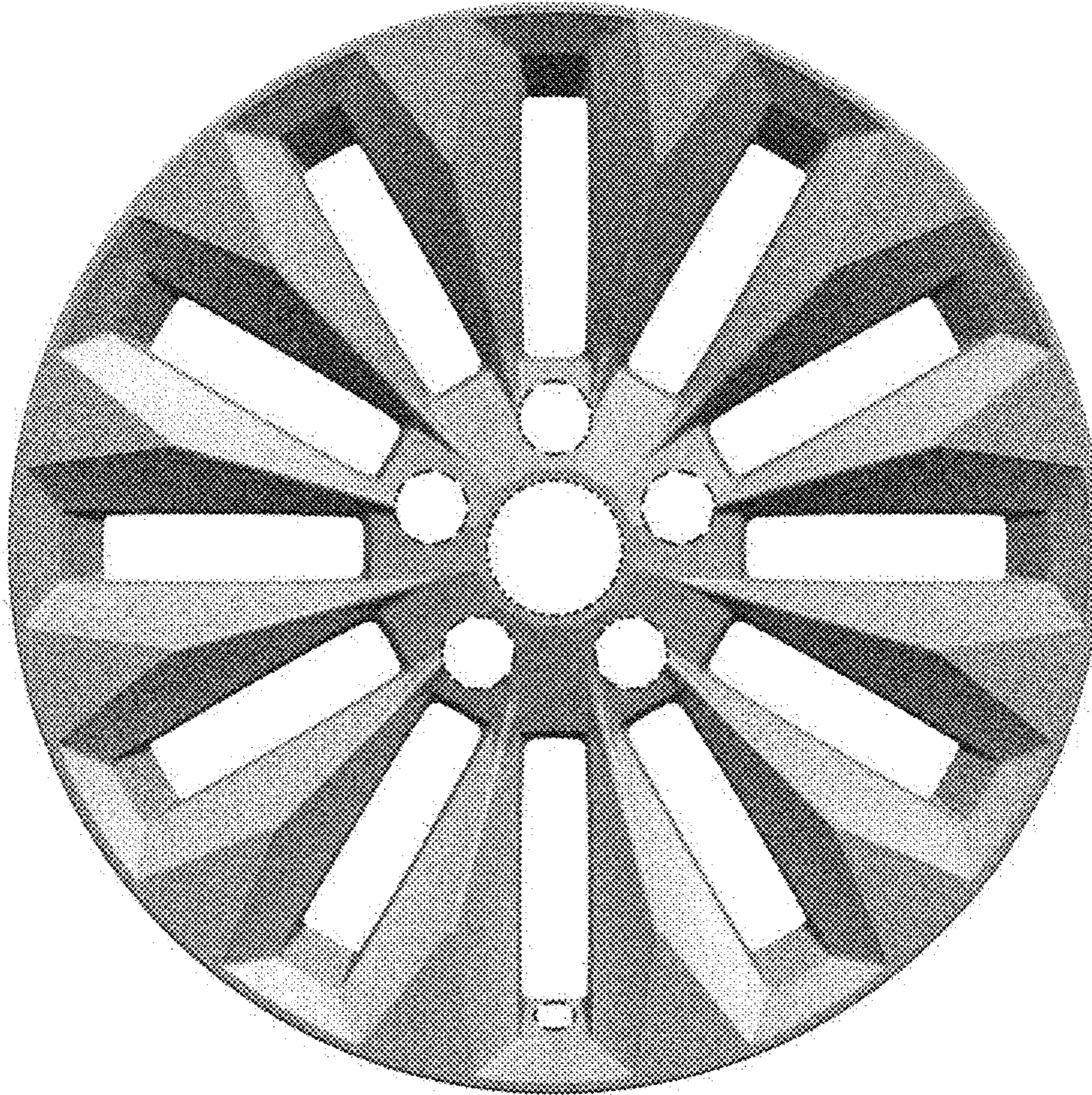


FIG. 1

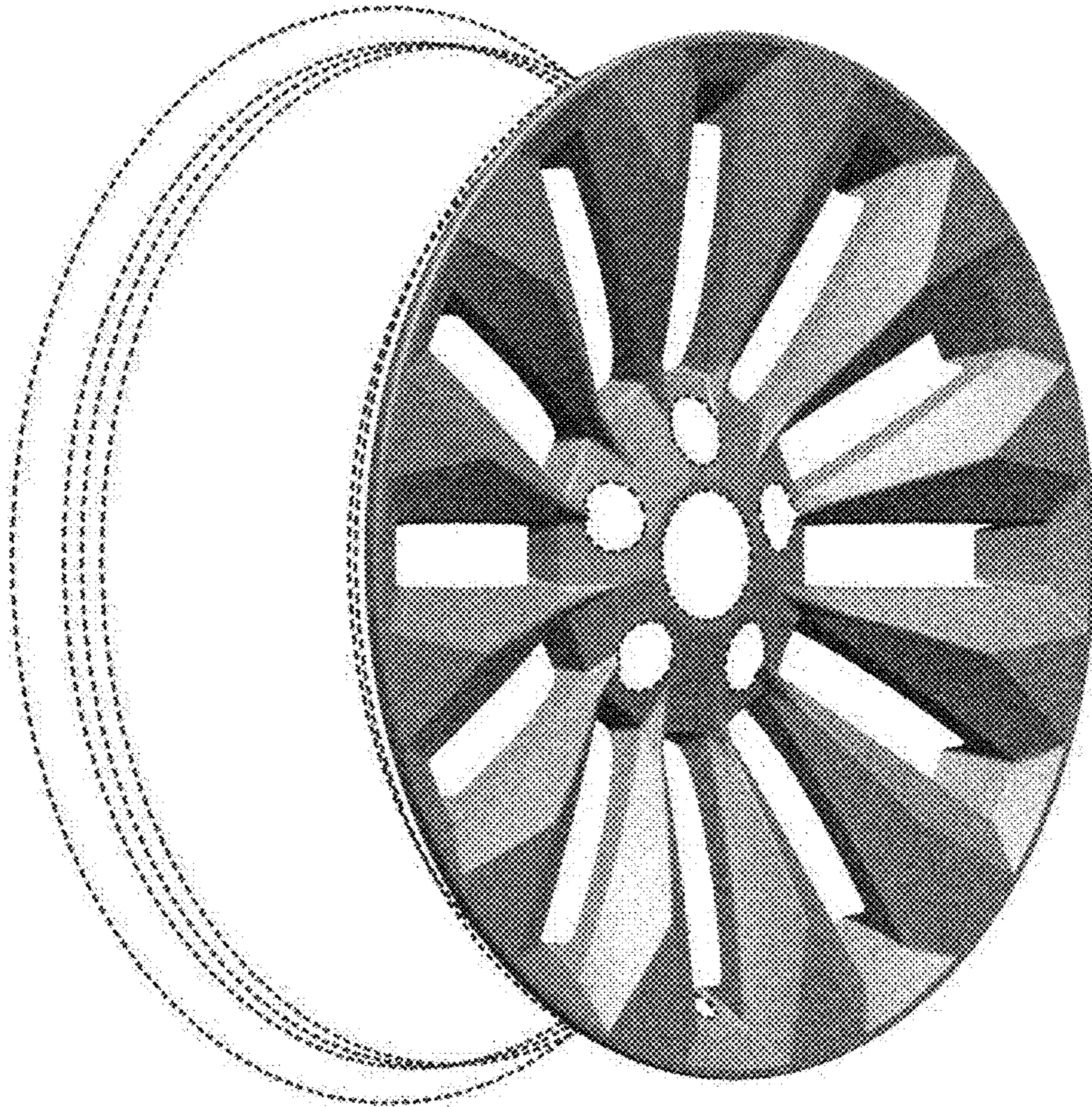


FIG. 2

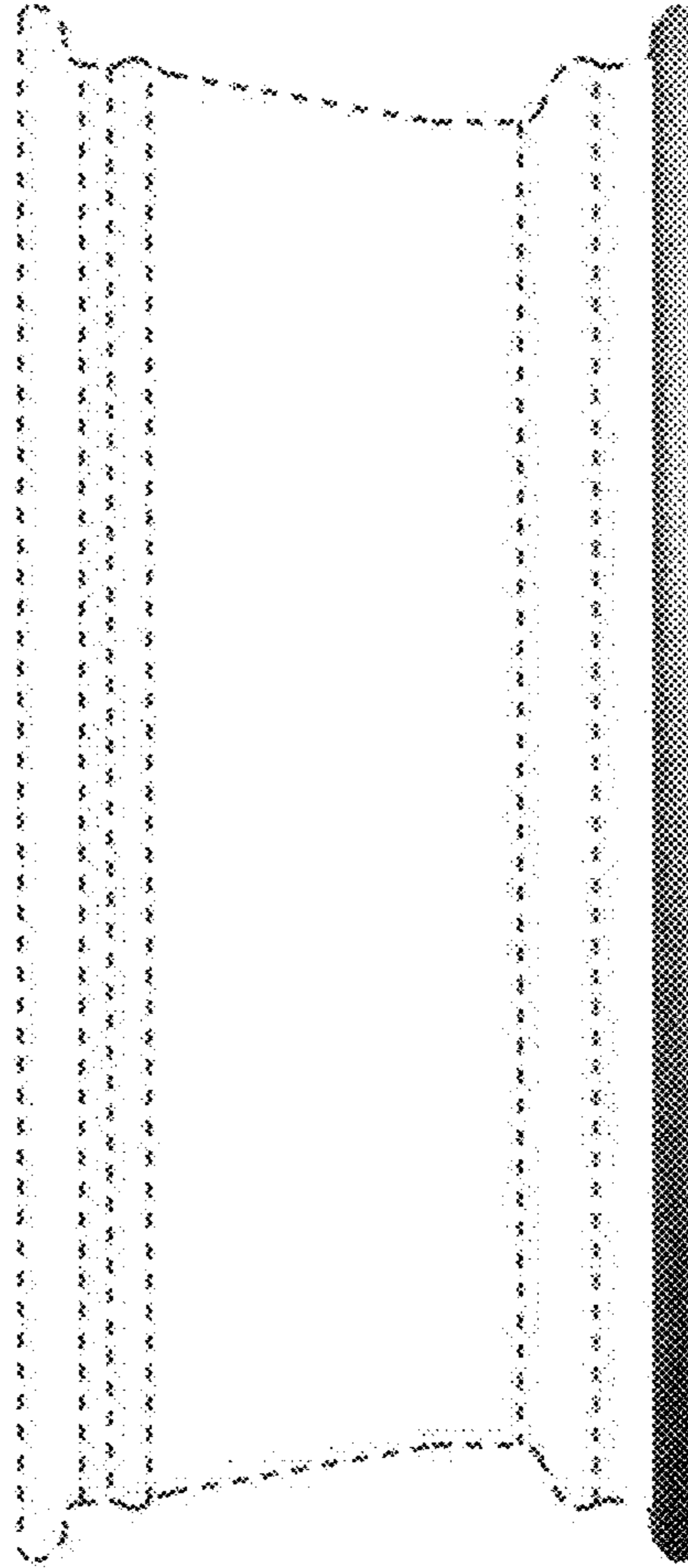


FIG. 3