



US00D987532S

(12) **United States Design Patent**
Kasper

(10) **Patent No.:** **US D987,532 S**

(45) **Date of Patent:** **** May 30, 2023**

- (54) **VEHICLE WHEEL**
- (71) Applicant: **GM GLOBAL TECHNOLOGY OPERATIONS LLC**, Detroit, MI (US)
- (72) Inventor: **Bradley Kasper**, Ferndale, MI (US)
- (73) Assignee: **GM Global Technology Operations LLC**, Detroit, MI (US)
- (**) Term: **15 Years**
- (21) Appl. No.: **29/774,851**
- (22) Filed: **Mar. 19, 2021**
- (51) **LOC (14) Cl.** **12-16**
- (52) **U.S. Cl.**
USPC **D12/211**
- (58) **Field of Classification Search**
USPC D12/204, 208, 209, 210, 211, 213;
D21/563
CPC B60B 7/02; B60B 3/02; B60B 7/04; B60B
7/06; B60B 3/04; B60B 3/06; B60B 3/10
See application file for complete search history.

- D277,661 S 2/1985 Cafaro et al.
- D281,491 S 11/1985 Schinella
- D282,159 S 6/1986 Schell et al.
- D285,675 S 9/1986 Chandler
- D285,676 S 9/1986 Clark
- D285,677 S 9/1986 Menking
- D285,786 S 9/1986 Munson
- D291,879 S 9/1987 Boyle et al.
- D292,389 S 10/1987 Boyle et al.
- D292,390 S 10/1987 Ruzzin
- D292,568 S 11/1987 Cafaro et al.
- D292,569 S 11/1987 Cafaro et al.
- D292,572 S 11/1987 Schell et al.
- D292,574 S 11/1987 Cafaro et al.
- D292,906 S 11/1987 Menking et al.
- D292,907 S 11/1987 Cafaro et al.
- D294,342 S 2/1988 Chapman
- D298,528 S 11/1988 Burke et al.
- D300,422 S 3/1989 Schinella
- D301,865 S 6/1989 McIntosh
- D301,866 S 6/1989 Chapman et al.
- D302,004 S 7/1989 Chapman et al.
- D310,811 S 9/1990 North et al.
- D310,989 S 10/1990 North et al.
- D310,990 S 10/1990 Chandler
- D316,844 S 5/1991 Peloquin et al.
- D323,806 S 2/1992 Stewart
- D336,742 S 6/1993 Stewart
- D345,127 S 3/1994 Stenglein et al.

(Continued)

(56) **References Cited**
U.S. PATENT DOCUMENTS

- D258,503 S 3/1981 Semple
- D258,504 S 3/1981 Schinella
- D258,732 S 3/1981 Schinella
- D259,484 S 6/1981 Welburn
- D267,402 S 12/1982 Schinella
- D267,562 S 1/1983 Palmer et al.
- D267,564 S 1/1983 Wright
- D268,105 S 3/1983 Schinella
- D271,012 S 10/1983 Palmer et al.
- D272,897 S 3/1984 Chapman
- D273,781 S 5/1984 Chapman
- D275,192 S 8/1984 Schinella
- D275,193 S 8/1984 Schinella

Primary Examiner — Joseph Kukella
Assistant Examiner — Lavon M. Amerson

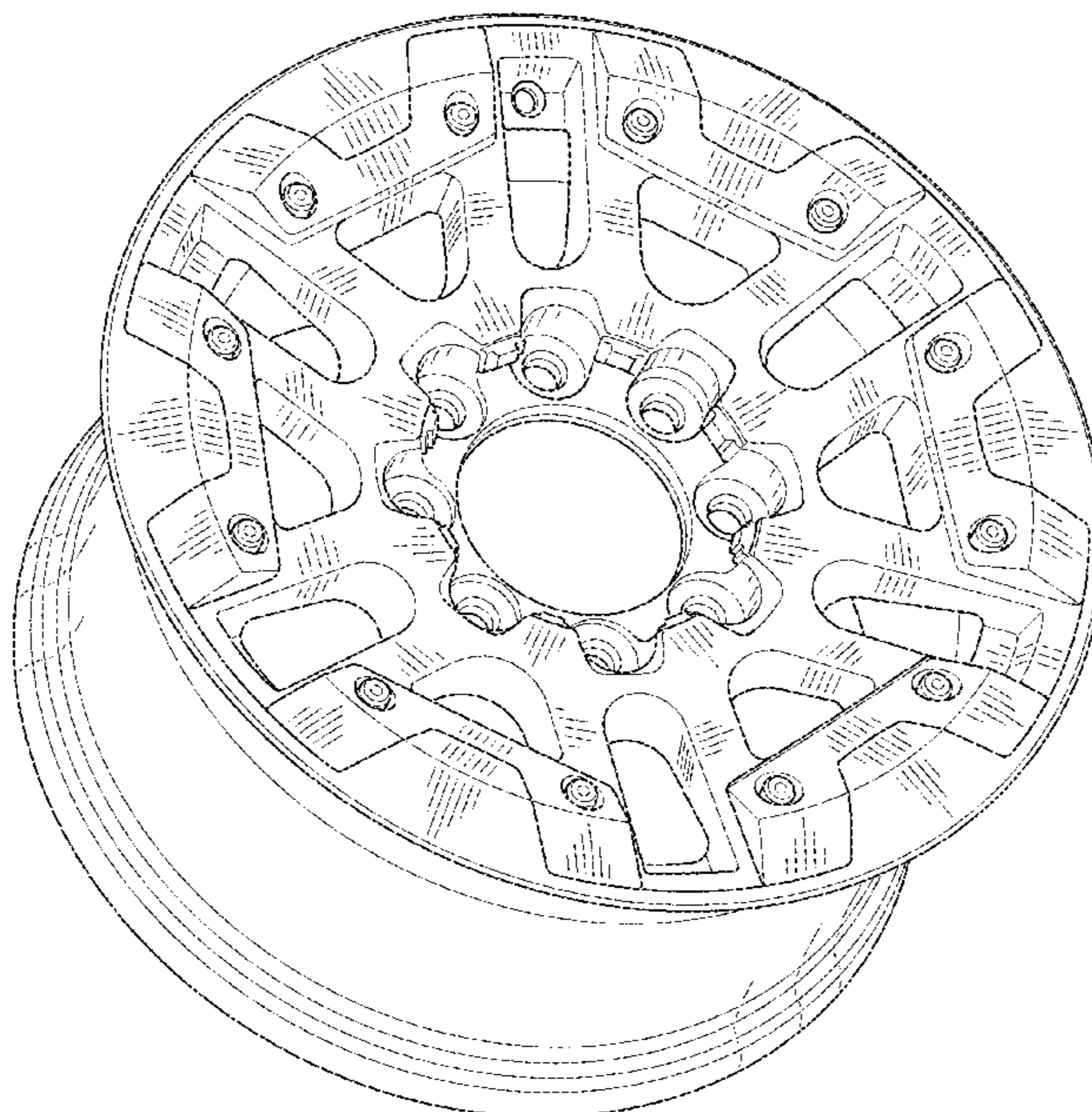
(57) **CLAIM**

The ornamental design for a vehicle wheel, as shown and described.

DESCRIPTION

FIG. 1 is a front elevational view of the vehicle wheel showing my new design; and, FIG. 2 is a front and left side perspective view thereof.

1 Claim, 2 Drawing Sheets



(56)

References Cited

U.S. PATENT DOCUMENTS

D558,115 S	*	12/2007	Groom	D12/209
D576,535 S	*	9/2008	Chung	D12/209
D594,802 S		6/2009	Gustafsson	
D613,661 S		4/2010	Lee et al.	
D648,254 S		11/2011	Barry	
D655,658 S		3/2012	Noone et al.	
D656,877 S		4/2012	Ikeda et al.	
D664,081 S		7/2012	Mueller	
D670,634 S		11/2012	Lee	
D684,516 S		6/2013	Bennion	
D700,565 S		3/2014	Gonzalez	
D735,102 S		7/2015	Swanseger	
D735,630 S		8/2015	Swanseger	
D775,049 S		12/2016	Scheer et al.	
D780,084 S		2/2017	Scheer et al.	
D823,214 S	*	7/2018	Chung	D12/209
D836,526 S		12/2018	Skelley	
D855,002 S	*	7/2019	Ranum	D12/211
D865,610 S	*	11/2019	Interrante	D12/209
D934,146 S	*	10/2021	Tran	D12/209
D944,711 S	*	3/2022	Carbis	D12/209

* cited by examiner

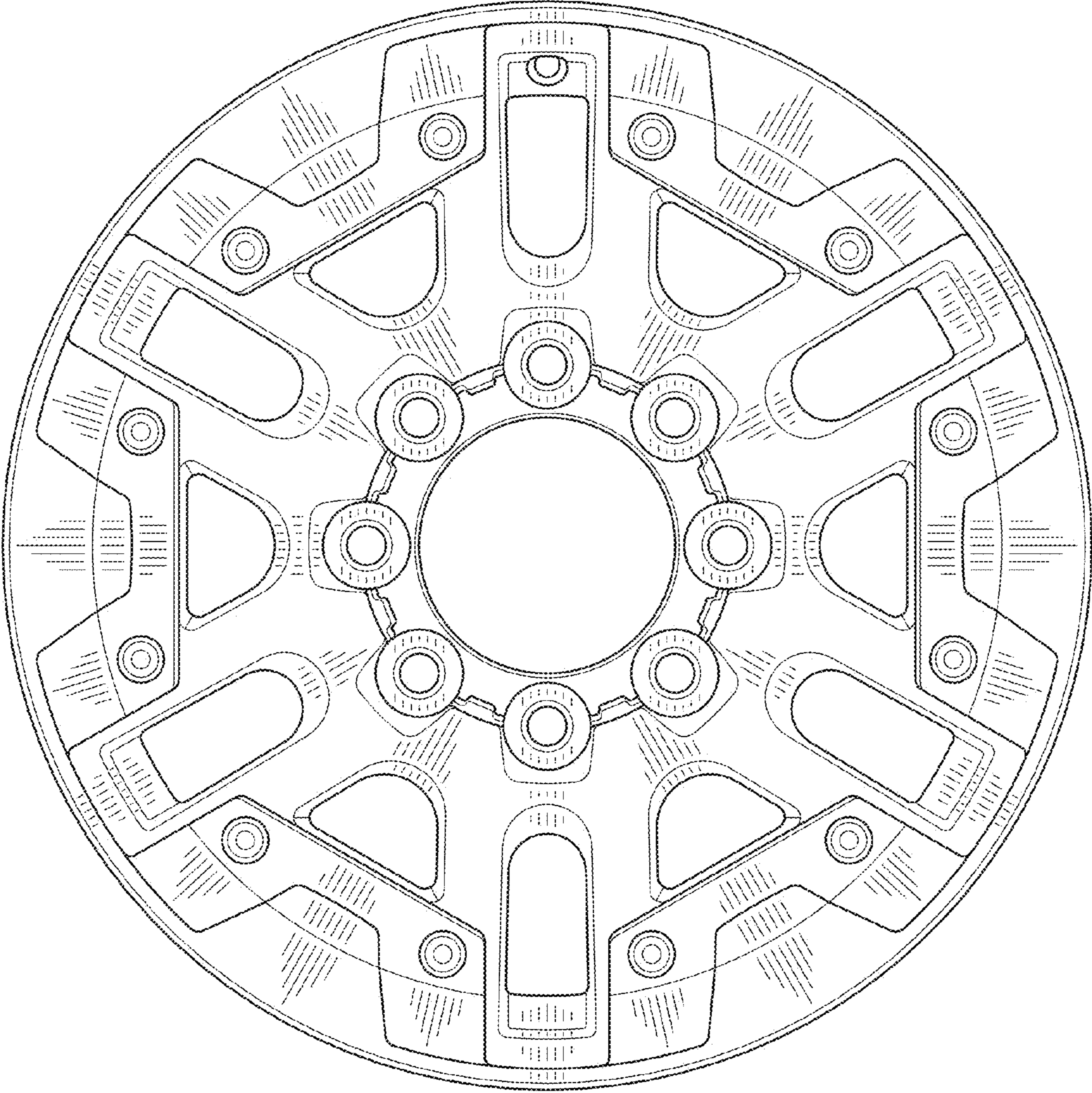


FIG. 1

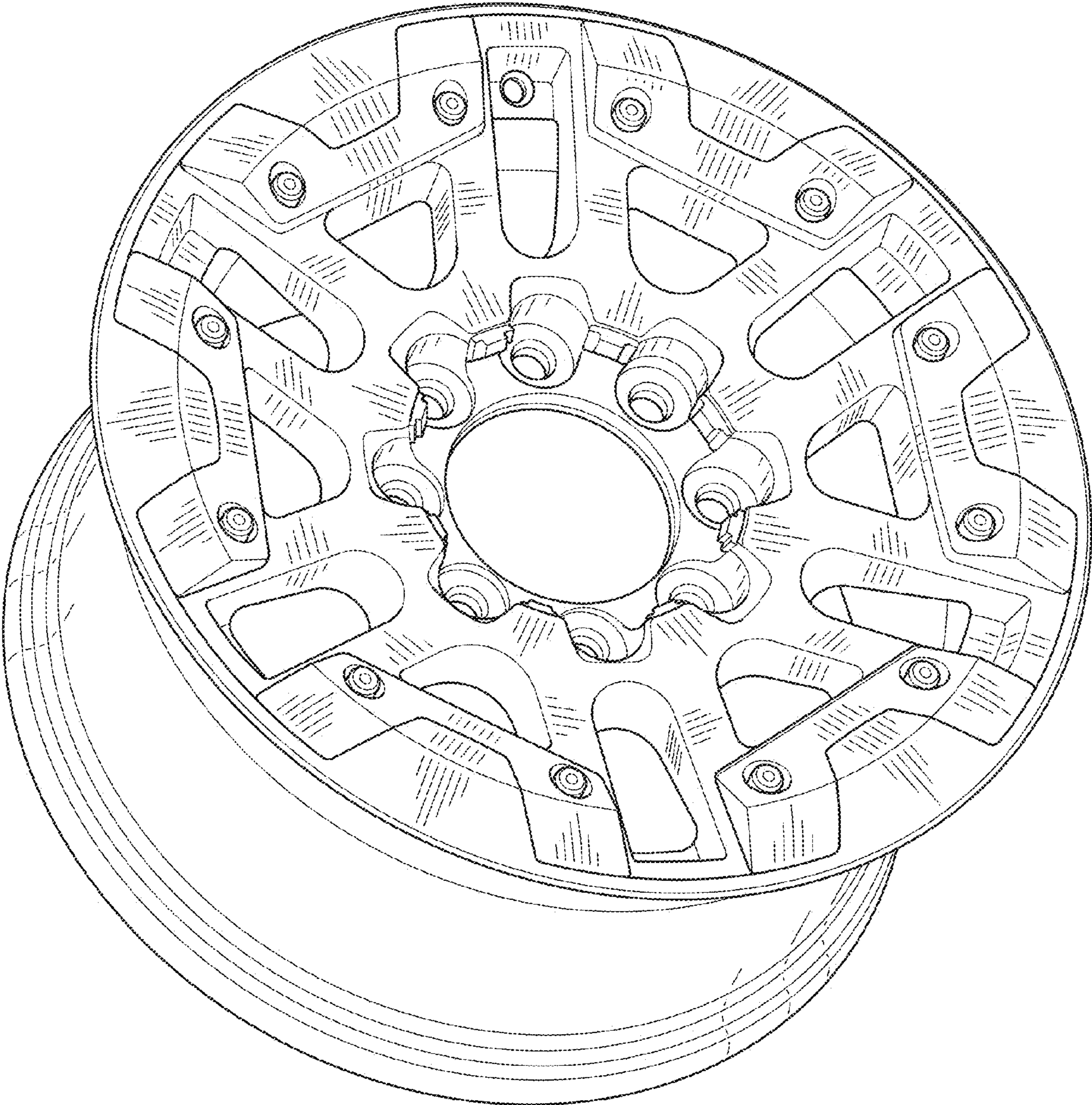


FIG. 2