



US00D987531S

(12) **United States Design Patent** (10) **Patent No.:** **US D987,531 S**
Scenna (45) **Date of Patent:** **** May 30, 2023**

- (54) **VEHICLE WHEEL**
- (71) Applicant: **GM GLOBAL TECHNOLOGY OPERATIONS LLC**, Detroit, MI (US)
- (72) Inventor: **Adam K. Scenna**, Royal Oak, MI (US)
- (73) Assignee: **GM Global Technology Operations LLC**, Detroit, MI (US)
- (**) Term: **15 Years**
- (21) Appl. No.: **29/774,846**
- (22) Filed: **Mar. 19, 2021**
- (51) **LOC (14) Cl.** **12-16**
- (52) **U.S. Cl.**
USPC **D12/211**
- (58) **Field of Classification Search**
USPC D12/204, 208, 209, 210, 211, 213;
D21/563
CPC B60B 7/02; B60B 3/02; B60B 7/04; B60B
7/06; B60B 3/04; B60B 3/06; B60B 3/10
See application file for complete search history.

- D271,012 S 10/1983 Palmer et al.
- D272,897 S 3/1984 Chapman
- D273,781 S 5/1984 Chapman
- D275,192 S 8/1984 Schinella
- D275,193 S 8/1984 Schinella
- D277,661 S 2/1985 Cafaro et al.
- D281,491 S 11/1985 Schinella
- D282,159 S 6/1986 Schell et al.
- D285,675 S 9/1986 Chandler
- D285,676 S 9/1986 Clark
- D285,677 S 9/1986 Menking
- D285,786 S 9/1986 Munson
- D291,879 S 9/1987 Boyle et al.
- D292,389 S 10/1987 Boyle et al.
- D292,390 S 10/1987 Ruzzin
- D292,568 S 11/1987 Cafaro et al.
- D292,569 S 11/1987 Cafaro et al.
- D292,572 S 11/1987 Schell et al.
- D292,574 S 11/1987 Cafaro et al.
- D292,906 S 11/1987 Menking et al.
- D292,907 S 11/1987 Cafaro et al.

(Continued)

OTHER PUBLICATIONS

Amazon.com, Road Ready Car Wheel, published Sep. 6, 2019, [retrieved Jan. 31, 2023]. Retrieved from the internet<<https://www.amazon.com/Ready-Wheel-1992-2007-1996-2003-E450SD/dp/B00WVILARM>> (Year: 2019).*

Primary Examiner — Joseph Kukella
Assistant Examiner — Lavon M. Amerson

(57) **CLAIM**

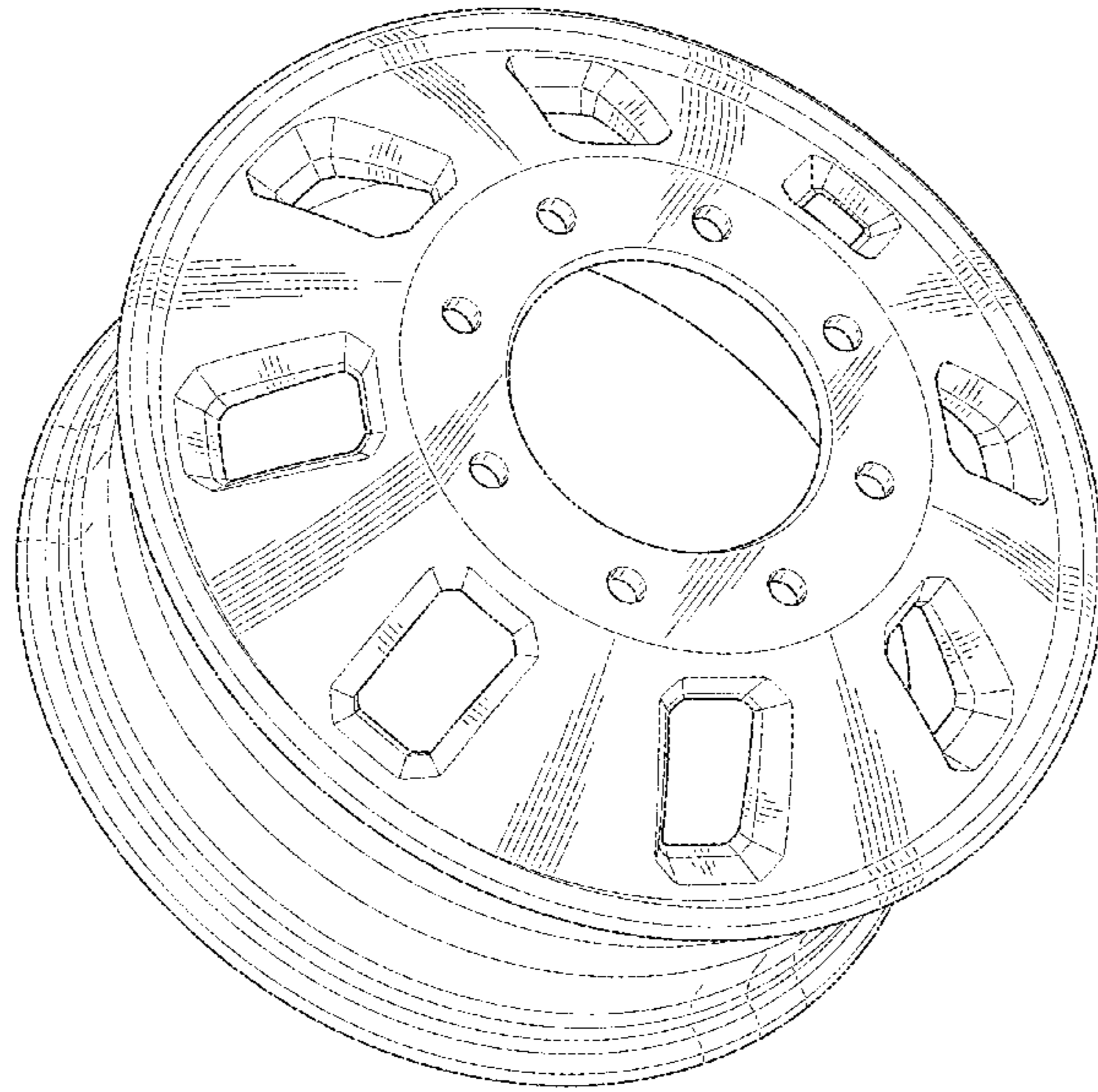
The ornamental design for a vehicle wheel, as shown and described.

DESCRIPTION

FIG. 1 is a front elevational view of the vehicle wheel showing my new design; and, FIG. 2 is a front and left side perspective view thereof.

1 Claim, 2 Drawing Sheets

- (56) **References Cited**
- U.S. PATENT DOCUMENTS**
- D103,778 S * 3/1937 Hunt D12/209
- D232,930 S * 9/1974 Edwards D12/209
- D235,328 S * 6/1975 Scraver D12/211
- D245,840 S * 9/1977 Harty, Jr. D12/209
- D250,704 S * 1/1979 Taitani D12/211
- 4,165,131 A * 8/1979 Thompson B60B 3/06
249/56
- D258,503 S 3/1981 Semple
- D258,504 S 3/1981 Schinella
- D258,732 S 3/1981 Schinella
- D259,484 S 6/1981 Welburn
- D267,402 S 12/1982 Schinella
- D267,562 S 1/1983 Palmer et al.
- D267,564 S 1/1983 Wright
- D268,105 S 3/1983 Schinella



(56)

References Cited

U.S. PATENT DOCUMENTS

D294,342 S 2/1988 Chapman
 D298,528 S 11/1988 Burke et al.
 D300,422 S 3/1989 Schinella
 D301,865 S 6/1989 McIntosh
 D301,866 S 6/1989 Chapman et al.
 D302,004 S 7/1989 Chapman et al.
 D309,886 S * 8/1990 Giambrone D12/211
 D310,811 S 9/1990 North et al.
 D310,989 S 10/1990 North et al.
 D310,990 S 10/1990 Chandler
 D316,844 S 5/1991 Peloquin
 D323,806 S 2/1992 Stewart
 D336,742 S 6/1993 Stewart
 D345,127 S 3/1994 Stenglein et al.
 D356,538 S * 3/1995 Botterman D12/209
 D358,360 S * 5/1995 Botterman D12/211
 D358,797 S * 5/1995 Botterman D12/209
 D360,867 S * 8/1995 Botterman D12/211
 6,595,596 B1 * 7/2003 Polka B60B 7/14
 301/37.102
 D502,908 S * 3/2005 Mahachanh D12/209
 D504,378 S * 4/2005 Grossenbacher D12/209
 D519,433 S * 4/2006 Finn D12/210

D521,918 S * 5/2006 Mahachanh D12/209
 D521,919 S * 5/2006 Mahachanh D12/209
 D594,802 S 6/2009 Gustafsson
 D613,661 S 4/2010 Lee et al.
 D648,254 S 11/2011 Barry
 D655,658 S 3/2012 Noone et al.
 D656,877 S 4/2012 Ikeda et al.
 D662,018 S * 6/2012 Grossenbacher D12/209
 D664,081 S 7/2012 Mueller
 D670,634 S 11/2012 Lee
 D684,516 S 6/2013 Bennion
 D700,565 S 3/2014 Gonzalez
 D735,102 S 7/2015 Swanseger
 D735,630 S 8/2015 Swanseger
 D775,049 S 12/2016 Scheer et al.
 D780,084 S 2/2017 Scheer et al.
 D836,526 S 12/2018 Skelley
 D837,120 S * 1/2019 Caldwell B60B 7/14
 D12/209
 D889,362 S * 7/2020 Lopes B60B 3/06
 D12/209
 D929,926 S * 9/2021 Chang B60B 3/02
 D12/209
 2008/0252136 A1 * 10/2008 Srivats B60B 3/02
 301/63.109

* cited by examiner

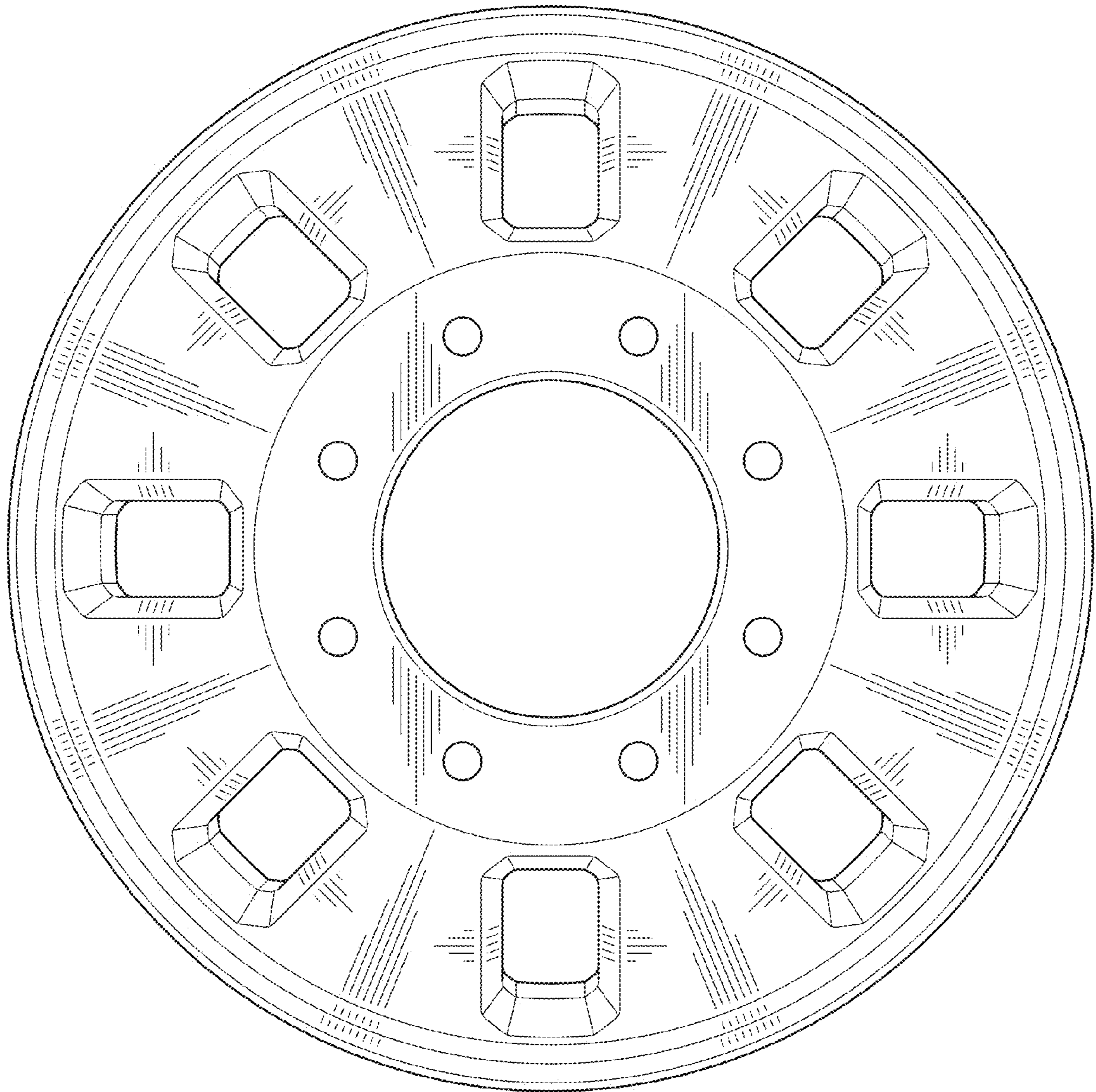


FIG. 1

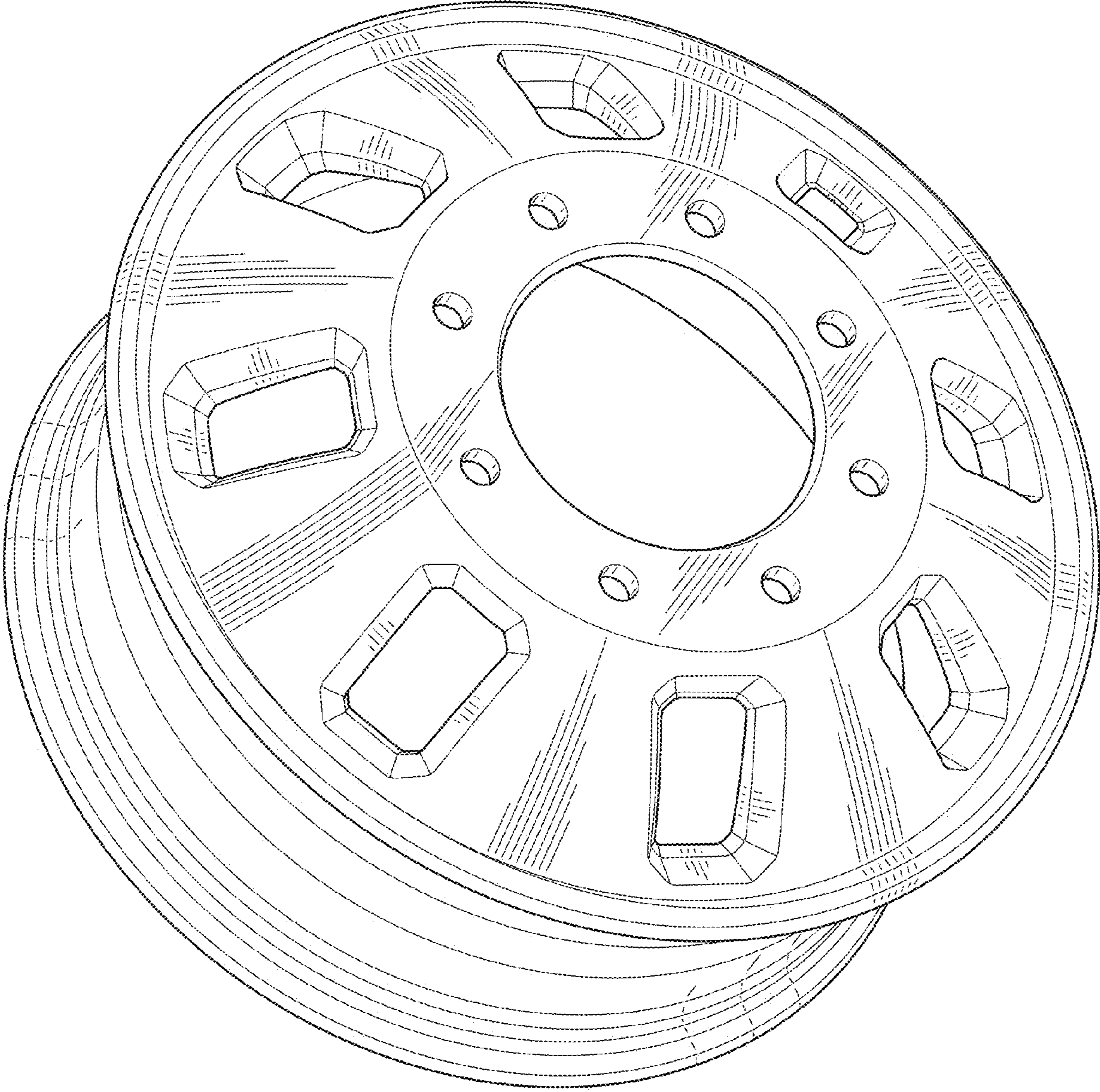


FIG. 2