



US00D987529S

(12) **United States Design Patent** (10) **Patent No.:** **US D987,529 S**
Scenna (45) **Date of Patent:** **** May 30, 2023**

(54) **VEHICLE WHEEL**
(71) Applicant: **GM GLOBAL TECHNOLOGY OPERATIONS LLC**, Detroit, MI (US)
(72) Inventor: **Adam K. Scenna**, Royal Oak, MI (US)
(73) Assignee: **GM Global Technology Operations LLC**, Detroit, MI (US)
(**) Term: **15 Years**
(21) Appl. No.: **29/774,837**
(22) Filed: **Mar. 19, 2021**
(51) **LOC (14) Cl.** **12-16**
(52) **U.S. Cl.**
USPC **D12/211**
(58) **Field of Classification Search**
USPC D12/204, 208, 209, 210, 211, 213;
D21/563
CPC B60B 7/02; B60B 3/02; B60B 7/04; B60B
7/06; B60B 3/04; B60B 3/06; B60B 3/10
See application file for complete search history.

D282,159 S 1/1986 Schell et al.
D285,675 S 9/1986 Chandler
D285,676 S 9/1986 Clark
D285,677 S 9/1986 Menking
D285,786 S 9/1986 Munson
D291,879 S 9/1987 Boyle et al.
D292,389 S 10/1987 Boyle et al.
D292,390 S 10/1987 Ruzzin
D292,568 S 11/1987 Cafaro et al.
D292,569 S 11/1987 Cafaro et al.
D292,572 S 11/1987 Schell et al.
D292,574 S 11/1987 Cafaro et al.
D292,906 S 11/1987 Menking et al.
D292,907 S 11/1987 Cafaro et al.
D294,342 S 2/1988 Chapman
D298,528 S 11/1988 Burke et al.
D300,422 S 3/1989 Schinella
D301,865 S 6/1989 McIntosh
D301,866 S 6/1989 Chapman et al.
D302,004 S 7/1989 Chapman et al.

(Continued)

OTHER PUBLICATIONS

ebay.com, 4 New 19x10 Niche Staccato Matte Gunmetal Wheel/Rim, published Jan. 20, 2023 [retrieved Jan. 31, 2023]. Retrieved from the internet<<https://www.ebay.com/itm/164241429962?epid=4005896499&hash=item263d8d55ca:g:gvkAAOSweV5jxeC~>> (Year: 2023).*

Primary Examiner — Joseph Kukella
Assistant Examiner — Lavon M. Amerson

(56) **References Cited**
U.S. PATENT DOCUMENTS

D258,503 S 3/1981 Semple
D258,504 S 3/1981 Schinella
D258,732 S 3/1981 Schinella
D259,484 S 6/1981 Welburn
D267,402 S 12/1982 Schinella
D267,562 S 1/1983 Palmer et al.
D267,564 S 1/1983 Wright
D268,105 S 3/1983 Schinella
D271,012 S 10/1983 Palmer et al.
D272,897 S 3/1984 Chapman
D273,781 S 5/1984 Chapman
D275,192 S 8/1984 Schinella
D275,193 S 8/1984 Schinella
D277,661 S 2/1985 Cafaro et al.
D281,491 S 11/1985 Schinella

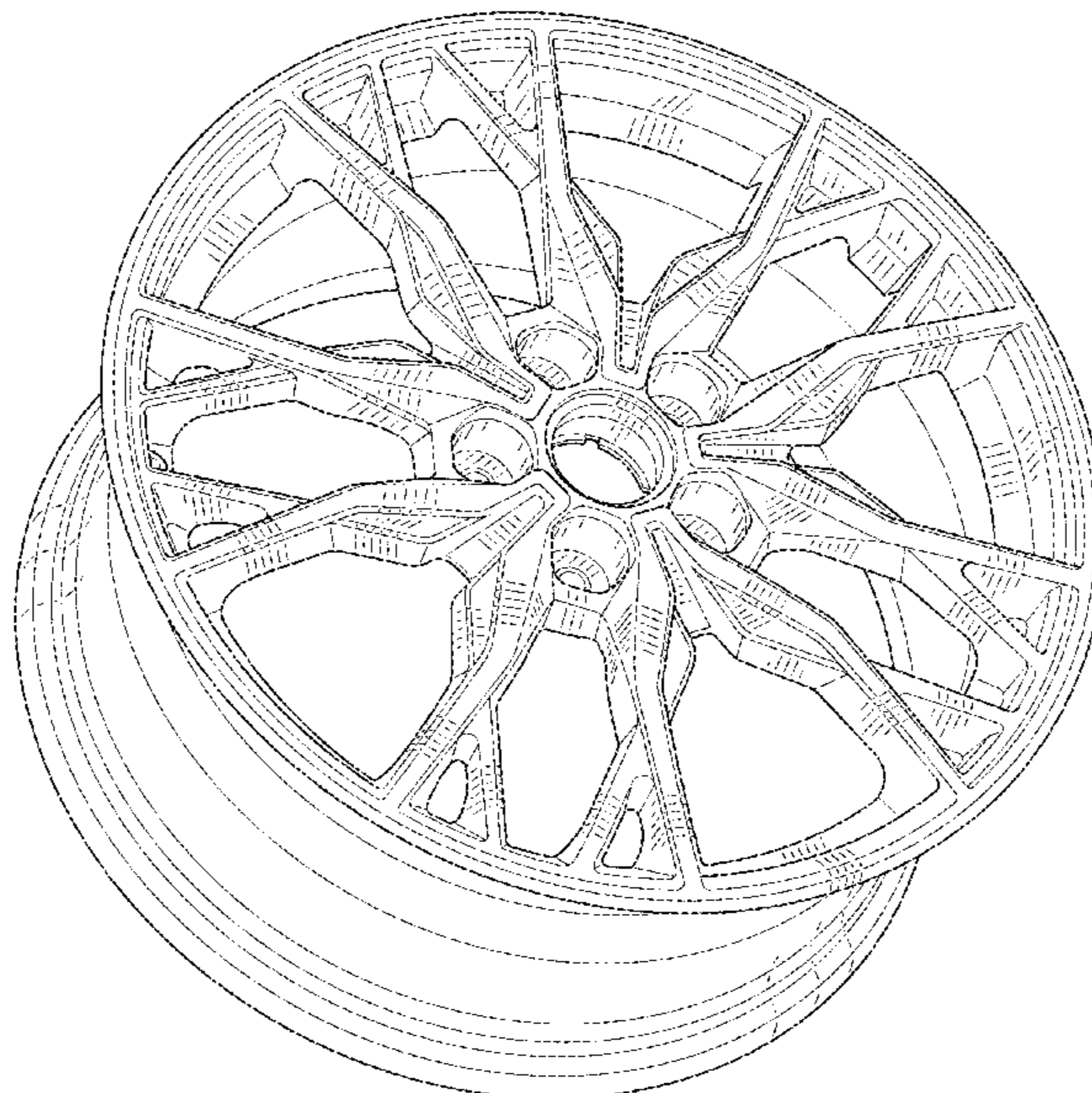
(57) **CLAIM**

The ornamental design for a vehicle wheel, as shown and described.

DESCRIPTION

FIG. 1 is a front elevational view of the vehicle wheel showing my new design; and, FIG. 2 is a front and left side perspective view thereof.

1 Claim, 2 Drawing Sheets



(56)

References Cited

U.S. PATENT DOCUMENTS

D310,811 S	9/1990	North et al.		D664,081 S	7/2012	Mueller	
D310,989 S	10/1990	North et al.		D670,634 S	11/2012	Lee	
D310,990 S	10/1990	Chandler		D683,689 S *	6/2013	Fahr-Becker	D12/211
D316,844 S	5/1991	Peloquin et al.		D684,516 S	6/2013	Bennion	
D323,806 S	2/1992	Stewart		D700,565 S	3/2014	Gonzalez	
D336,742 S	6/1993	Stewart		D735,102 S	7/2015	Swaneger	
D345,127 S	3/1994	Stenglein et al.		D735,630 S	8/2015	Swaneger	
D447,993 S *	9/2001	Neeper	D12/211	D740,193 S *	10/2015	Battams	B60B 1/14 D12/209
D449,812 S *	10/2001	Penzes	D12/211	D767,464 S *	9/2016	Juergens	B22C 9/28 D12/209
D466,853 S *	12/2002	Maifrini	D12/211	D775,049 S	12/2016	Scheer et al.	
D495,291 S *	8/2004	Chung	D12/211	D780,084 S	2/2017	Scheer et al.	
D516,988 S *	3/2006	Laengerer	D12/211	D788,681 S *	6/2017	Juergens	D12/211
D527,335 S *	8/2006	Kim	D12/211	D792,830 S *	7/2017	Groth	D12/211
D568,800 S *	5/2008	Huet	D12/211	D836,526 S	12/2018	Skelley	
D594,802 S	6/2009	Gustafsson		D883,175 S *	5/2020	Metros	D12/211
D602,834 S *	10/2009	Dilber	D12/211	D905,610 S *	12/2020	Rosello Visa	D12/209
D613,661 S	4/2010	Lee et al.		D913,896 S *	3/2021	Lemke	D12/209
D620,865 S *	8/2010	Park	D12/209	D942,358 S *	2/2022	Badstübner	B60B 3/02 D12/209
D648,254 S	11/2011	Barry		2018/0001701 A1 *	1/2018	Li	B60B 1/14
D655,658 S	3/2012	Noone et al.		2022/0161316 A1 *	5/2022	Groth	B22C 9/28
D656,877 S	4/2012	Ikeda et al.					

* cited by examiner

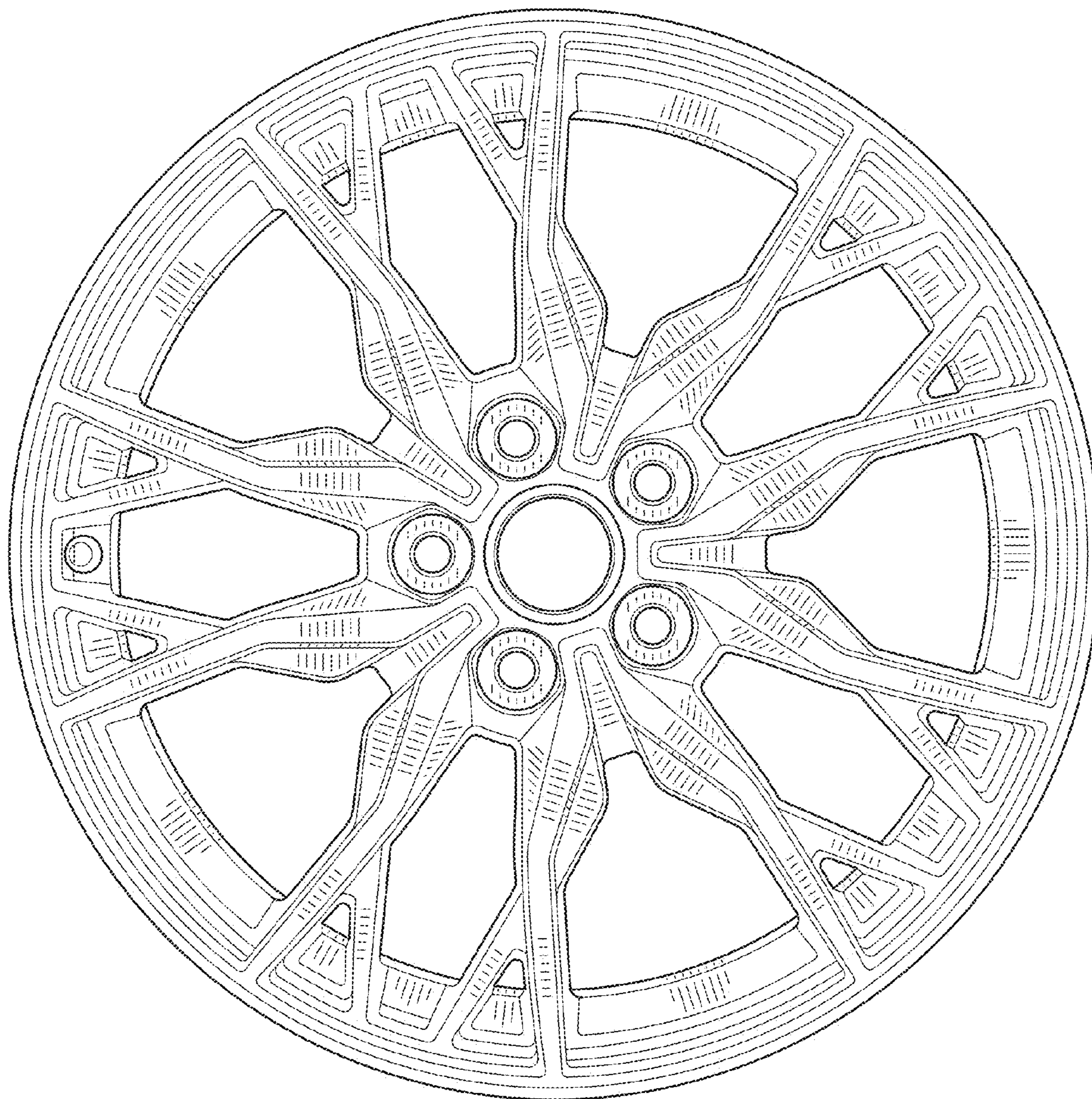


FIG. 1

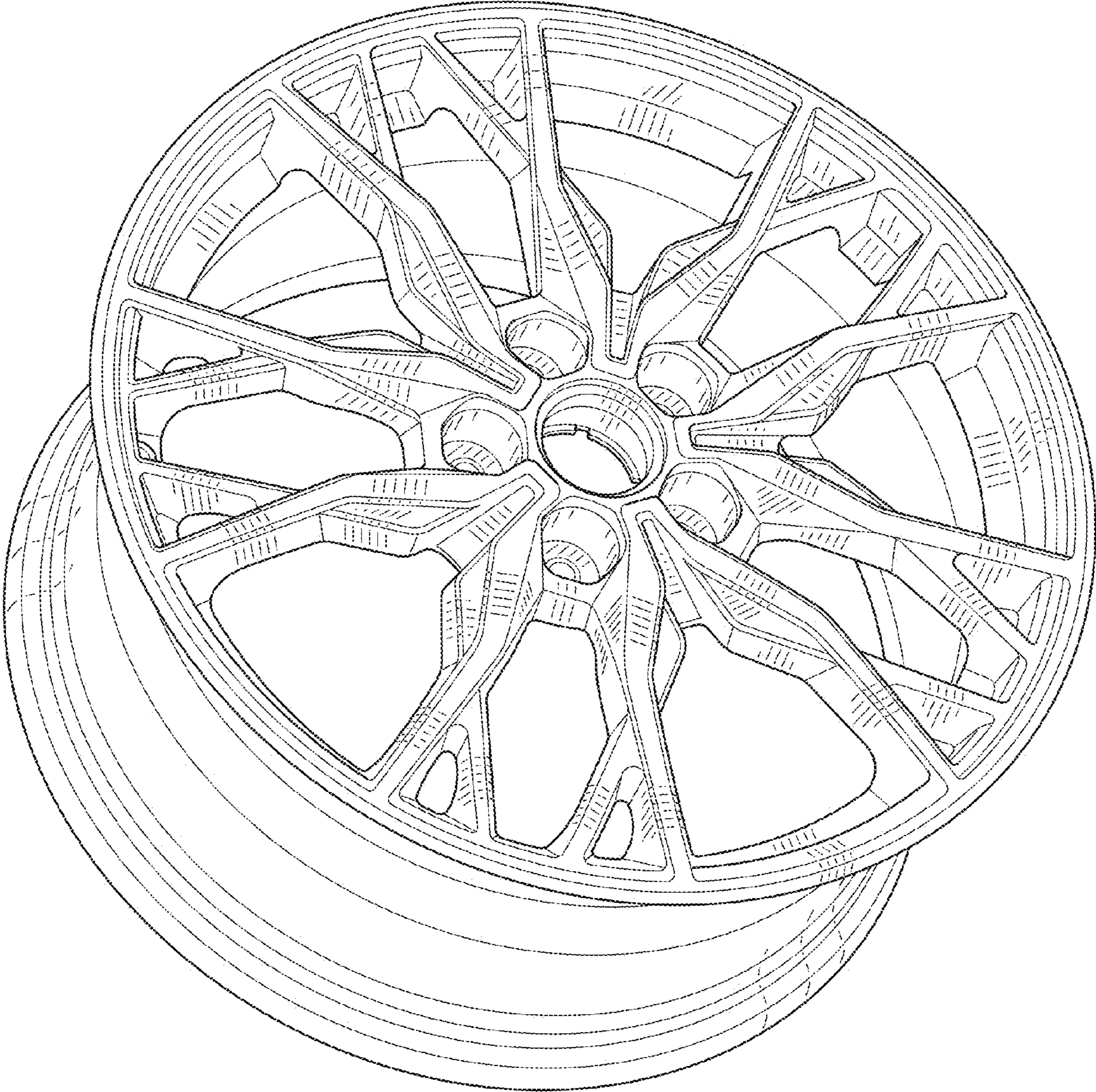


FIG. 2