



US00D987528S

(12) **United States Design Patent** (10) **Patent No.:** **US D987,528 S**  
**Scenna** (45) **Date of Patent:** **\*\* May 30, 2023**

(54) **VEHICLE WHEEL**  
(71) Applicant: **GM GLOBAL TECHNOLOGY OPERATIONS LLC**, Detroit, MI (US)  
(72) Inventor: **Adam K. Scenna**, Royal Oak, MI (US)  
(73) Assignee: **GM Global Technology Operations LLC**, Detroit, MI (US)  
(\*\*) Term: **15 Years**  
(21) Appl. No.: **29/774,832**  
(22) Filed: **Mar. 19, 2021**  
(51) **LOC (14) Cl.** ..... **12-16**  
(52) **U.S. Cl.**  
USPC ..... **D12/211**  
(58) **Field of Classification Search**  
USPC ..... D12/204, 208, 209, 210, 211, 213;  
D21/563  
CPC .... B60B 7/02; B60B 3/02; B60B 7/04; B60B  
7/06; B60B 3/04; B60B 3/06; B60B 3/10  
See application file for complete search history.

D281,491 S 11/1985 Schinella  
D282,159 S 1/1986 Schell et al.  
D285,675 S 9/1986 Chandler  
D285,676 S 9/1986 Clark  
D285,677 S 9/1986 Menking  
D285,786 S 9/1986 Munson  
D291,879 S 9/1987 Boyle et al.  
D292,389 S 10/1987 Boyle et al.  
D292,390 S 10/1987 Ruzzin  
D292,568 S 11/1987 Cafaro et al.  
D292,569 S 11/1987 Cafaro et al.  
D292,572 S 11/1987 Schell et al.  
D292,574 S 11/1987 Cafaro et al.  
D292,906 S 11/1987 Menking et al.  
D292,907 S 11/1987 Cafaro et al.  
D294,342 S 2/1988 Chapman  
D298,528 S 11/1988 Burke et al.  
D300,422 S 3/1989 Schinella  
D301,865 S 6/1989 McIntosh  
D301,866 S 6/1989 Chapman et al.

(Continued)

**OTHER PUBLICATIONS**

Black Rhino Hard Alloys, Rift Beadlock, published Oct. 30, 2020 [retrieved Jan. 25, 2023]. Retrieved from the internet<<https://www.blackrhinowheels.com/off-road-wheels-rims-rift-beadlock.php>> (Year: 2020).\*

(Continued)

(56) **References Cited**  
U.S. PATENT DOCUMENTS

D258,503 S 3/1981 Semple  
D258,504 S 3/1981 Schinella  
D258,732 S 3/1981 Schinella  
D259,484 S 6/1981 Welburn  
D267,402 S 12/1982 Schinella  
D267,562 S 1/1983 Palmer et al.  
D267,564 S 1/1983 Wright  
D268,105 S 3/1983 Schinella  
D271,012 S 10/1983 Palmer et al.  
D272,897 S 3/1984 Chapman  
D273,781 S 5/1984 Chapman  
D275,192 S 8/1984 Schinella  
D275,193 S 8/1984 Schinella  
D277,661 S 2/1985 Cafaro et al.

*Primary Examiner* — Joseph Kukella  
*Assistant Examiner* — Lavon M. Amerson

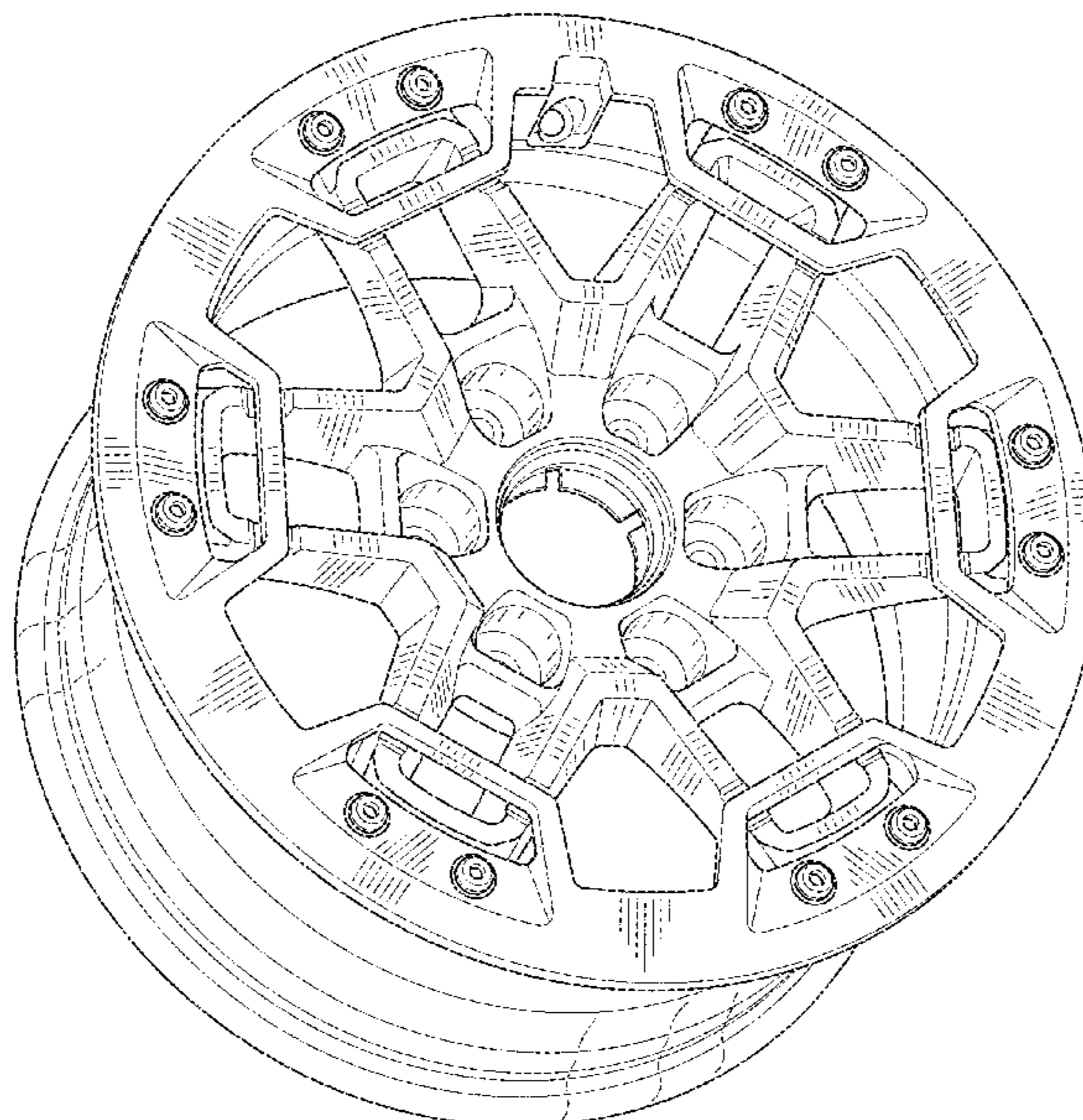
(57) **CLAIM**

The ornamental design for a vehicle wheel, as shown and described.

**DESCRIPTION**

FIG. 1 is a front elevational view of the vehicle wheel showing my new design; and,  
FIG. 2 is a front and left side perspective view thereof.

**1 Claim, 2 Drawing Sheets**



(56)

References Cited

U.S. PATENT DOCUMENTS

D302,004 S 7/1989 Chapman et al.  
 D310,811 S 9/1990 North et al.  
 D310,989 S 10/1990 North et al.  
 D310,990 S 10/1990 Chandler  
 D316,844 S 5/1991 Peloquin et al.  
 D323,806 S 2/1992 Stewart  
 D336,742 S 6/1993 Stewart  
 D345,127 S 3/1994 Stenglein et al.  
 D536,293 S \* 2/2007 Brouillette ..... D12/209  
 D594,802 S 6/2009 Gustafsson  
 D613,661 S 4/2010 Lee et al.  
 D648,254 S 11/2011 Barry  
 D655,658 S 3/2012 Noone et al.  
 D656,877 S 4/2012 Ikeda et al.  
 D664,081 S 7/2012 Mueller  
 D670,634 S 11/2012 Lee  
 D684,516 S 6/2013 Bennion  
 D691,937 S \* 10/2013 Chan ..... D12/209  
 D700,565 S 3/2014 Gonzalez  
 D727,829 S \* 4/2015 Chung ..... D12/211

D735,102 S 7/2015 Swanseger  
 D735,630 S 8/2015 Swanseger  
 D738,279 S \* 9/2015 Dionisopoulos ..... D12/209  
 D759,561 S \* 6/2016 Hale, Jr. .... D12/209  
 D775,049 S 12/2016 Scheer et al.  
 D780,084 S 2/2017 Scheer et al.  
 D791,675 S \* 7/2017 Guo ..... D12/211  
 D797,029 S \* 9/2017 Chung ..... D12/211  
 D823,214 S \* 7/2018 Chung ..... D12/209  
 D836,526 S 12/2018 Skelley  
 D887,935 S \* 6/2020 Yeh ..... D12/209  
 D935,372 S \* 11/2021 Kurihara ..... D12/209  
 D937,177 S \* 11/2021 VanRyn ..... D12/209

OTHER PUBLICATIONS

YouTube.com, KMC KM718 Summit Satin Black W Gray Tint 17x8.5, published Jul. 7, 2020 [retrieved Jan. 25, 2023]. Retrieved from the internet<<https://www.youtube.com/watch?v=7o8yJKtAGWk>> (Year: 2020).\*

\* cited by examiner

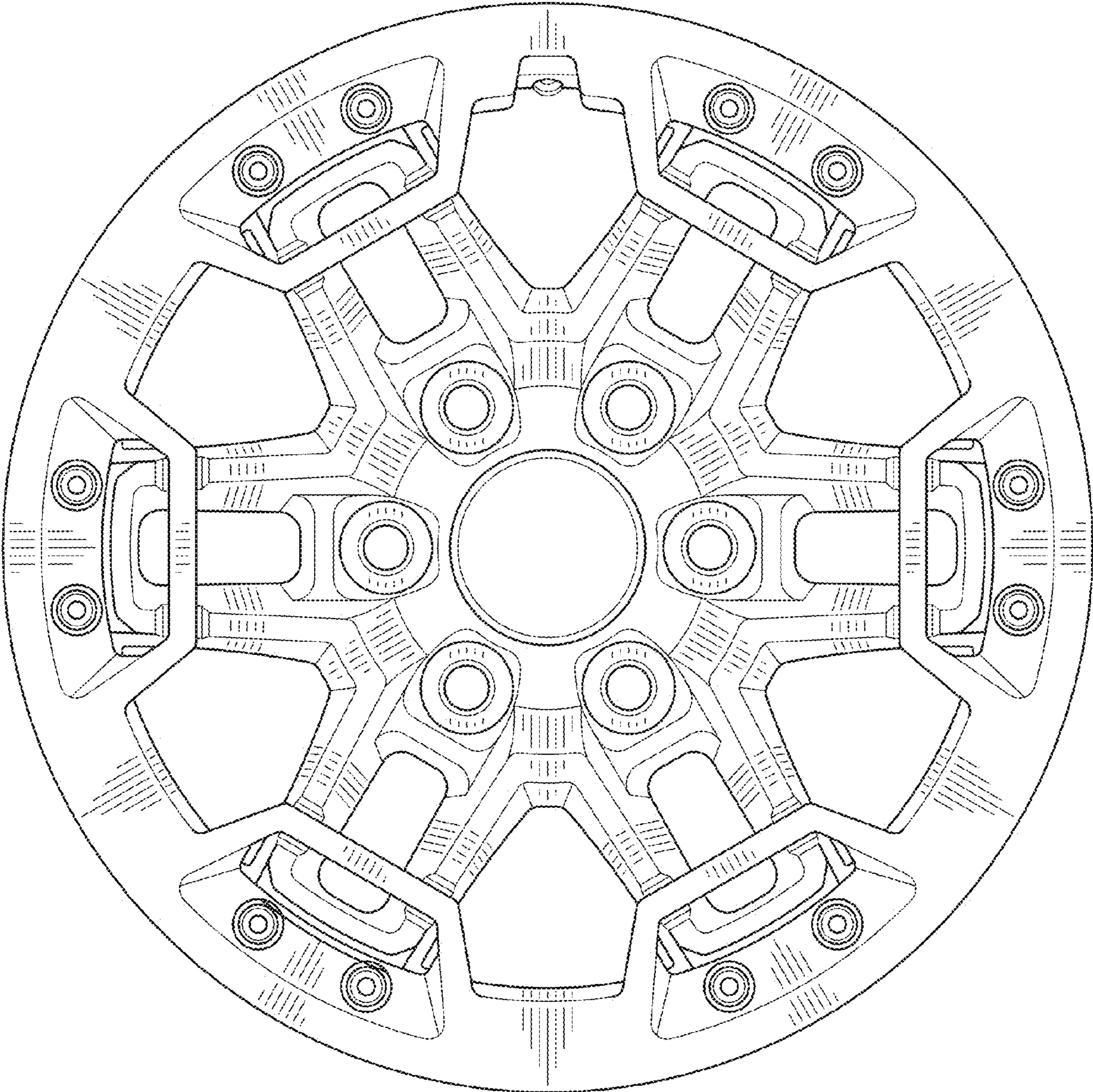


FIG. 1

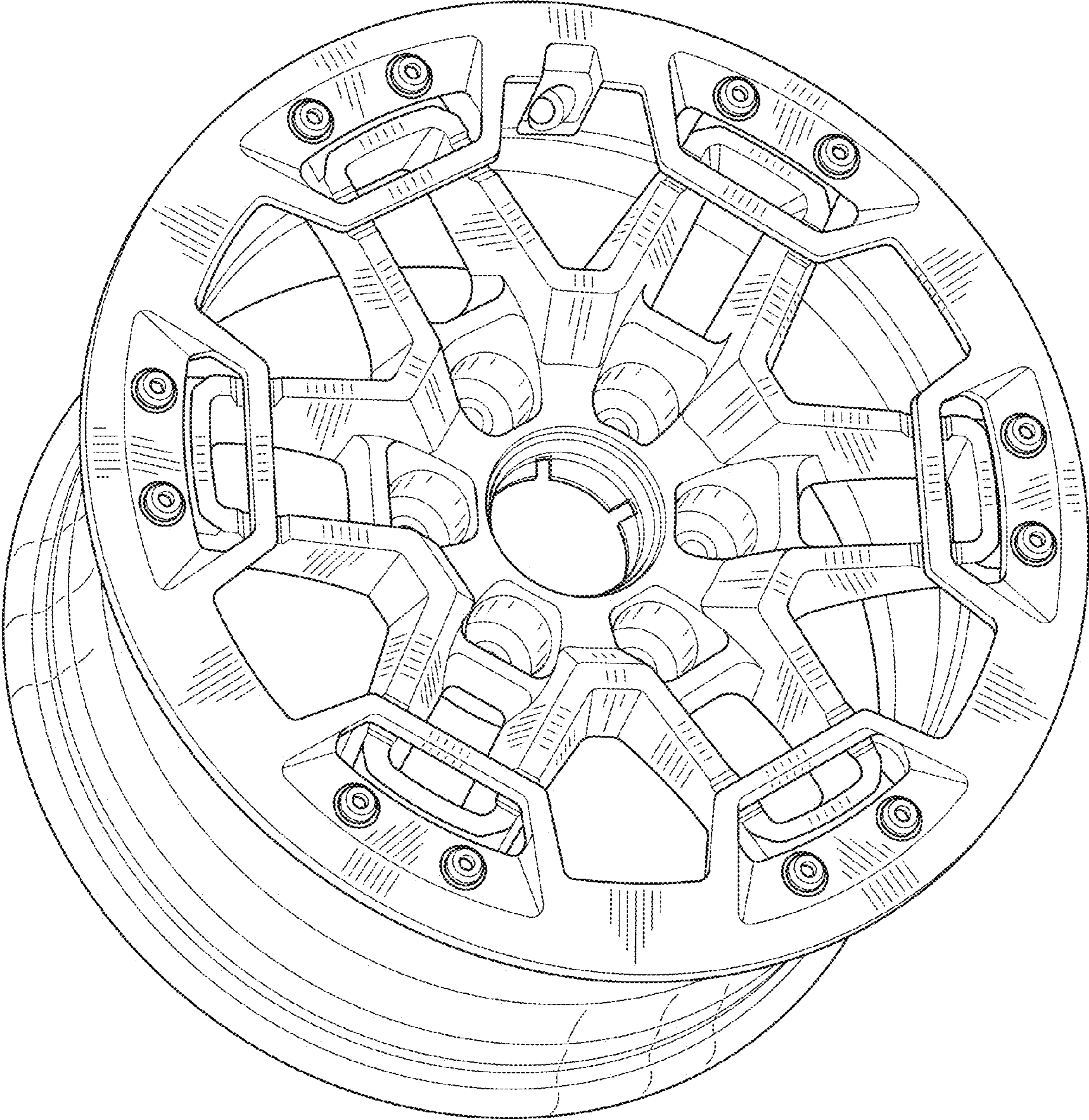


FIG. 2