



US00D987526S

(12) **United States Design Patent** (10) **Patent No.:** **US D987,526 S**
Santoso (45) **Date of Patent:** **** May 30, 2023**

(54) **VEHICLE WHEEL**
(71) Applicant: **GM GLOBAL TECHNOLOGY OPERATIONS LLC**, Detroit, MI (US)
(72) Inventor: **Daniel A. Santoso**, Ferndale, MI (US)
(73) Assignee: **GM Global Technology Operations LLC**, Detroit, MI (US)
(**) Term: **15 Years**
(21) Appl. No.: **29/774,724**
(22) Filed: **Mar. 18, 2021**
(51) **LOC (14) Cl.** **12-16**
(52) **U.S. Cl.**
USPC **D12/211**
(58) **Field of Classification Search**
USPC D12/204, 208, 209, 210, 211, 213;
D21/563
CPC B60B 7/02; B60B 3/02; B60B 7/04; B60B
7/06; B60B 3/04; B60B 3/06; B60B 3/10
See application file for complete search history.

D275,193 S 8/1984 Schinella
D277,661 S 2/1985 Cafaro et al.
D281,491 S 11/1985 Schinella
D282,159 S 1/1986 Schell et al.
D285,675 S 9/1986 Chandler
D285,676 S 9/1986 Clark
D285,677 S 9/1986 Menking
D285,786 S 9/1986 Munson
D291,879 S 9/1987 Boyle et al.
D292,389 S 10/1987 Boyle et al.
D292,390 S 10/1987 Ruzzin
D292,568 S 11/1987 Cafaro et al.
D292,569 S 11/1987 Cafaro et al.
D292,572 S 11/1987 Schell et al.
D292,574 S 11/1987 Cafaro et al.
D292,906 S 11/1987 Menking et al.
D292,907 S 11/1987 Cafaro et al.
D294,342 S 2/1988 Chapman
D298,528 S 11/1988 Burke et al.
D300,422 S 3/1989 Schinella
D301,865 S 6/1989 McIntosh
D301,866 S 6/1989 Chapman et al.
D302,004 S 7/1989 Chapman et al.
D310,811 S 9/1990 North et al.
D310,989 S 10/1990 North et al.

(Continued)

FOREIGN PATENT DOCUMENTS

EM D224623-001 * 11/2022
Primary Examiner — Joseph Kukella
Assistant Examiner — Lavon M. Amerson

(56) **References Cited**
U.S. PATENT DOCUMENTS

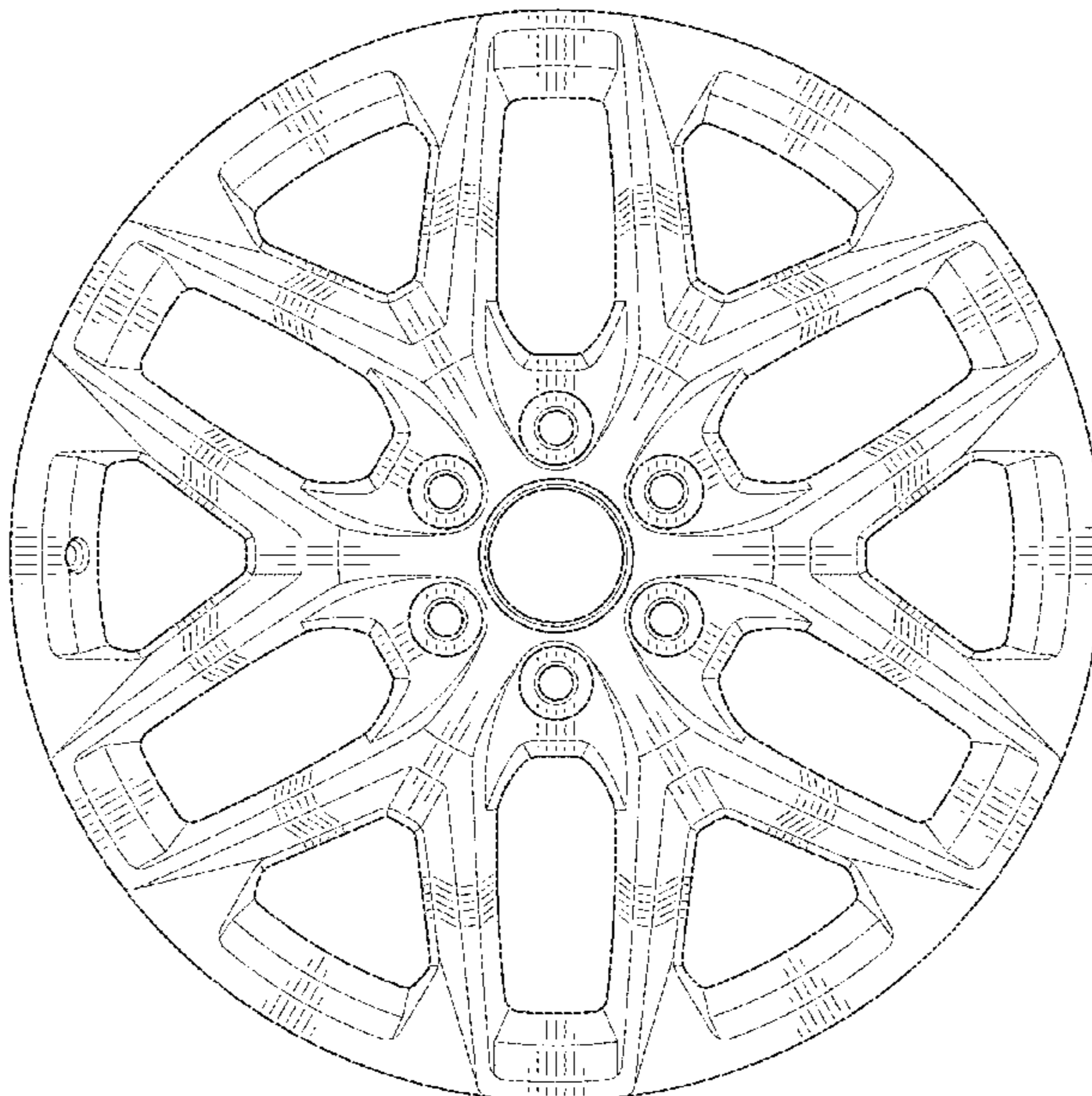
907,991 A * 12/1908 Goodfellow B60B 15/26
301/41.1
D258,503 S 3/1981 Semple
D258,504 S 3/1981 Schinella
D258,732 S 3/1981 Schinella
D259,484 S 6/1981 Welburn
D267,402 S 12/1982 Schinella
D267,562 S 1/1983 Palmer et al.
D267,564 S 1/1983 Wright
D268,105 S 3/1983 Schinella
D271,012 S 10/1983 Palmer et al.
D272,897 S 3/1984 Chapman
D273,781 S 5/1984 Chapman
D275,192 S 8/1984 Schinella

(57) **CLAIM**
The ornamental design for a vehicle wheel, as shown and described.

DESCRIPTION

FIG. 1 is a front elevational view of the vehicle wheel showing my new design; and,
FIG. 2 is a front and left side perspective view thereof.

1 Claim, 2 Drawing Sheets



(56)

References Cited

U.S. PATENT DOCUMENTS

D310,990 S	10/1990	Chandler	
D316,844 S	5/1991	Peloquin et al.	
D323,806 S	2/1992	Stewart	
D336,742 S	6/1993	Stewart	
D345,127 S	3/1994	Stenglein et al.	
D594,802 S	6/2009	Gustafsson	
D613,661 S	4/2010	Lee et al.	
D618,152 S *	6/2010	Juergens	D12/209
D648,254 S	11/2011	Barry	
D655,658 S	3/2012	Noone et al.	
D656,877 S	4/2012	Ikeda et al.	
D664,081 S	7/2012	Mueller	
D670,634 S	11/2012	Lee	
D684,516 S	6/2013	Bennion	
D700,565 S	3/2014	Gonzalez	
D720,272 S *	12/2014	Rueckheim	D12/209
D735,102 S	7/2015	Swanseger	
D735,630 S	8/2015	Swanseger	
D775,049 S *	12/2016	Scheer	D12/211
D778,799 S *	2/2017	Gallert	D12/211
D780,084 S	2/2017	Scheer et al.	
D781,198 S *	3/2017	Owens	D12/209
D828,264 S *	9/2018	Owens	D12/209
D836,526 S	12/2018	Skelley	
D837,717 S *	1/2019	Ranum	D12/209
D851,006 S *	6/2019	Hans	D12/209
D852,704 S *	7/2019	Khachatryan	D12/209
D861,565 S *	10/2019	Khachatryan	D12/209
D881,103 S *	4/2020	Liu	D12/209
D913,896 S *	3/2021	Lemke	D12/209
D928,060 S *	8/2021	Han	D12/209
D944,711 S *	3/2022	Carbis	D12/209
D966,983 S *	10/2022	Shida	D12/209
D970,417 S *	11/2022	Zhang	D12/209

* cited by examiner

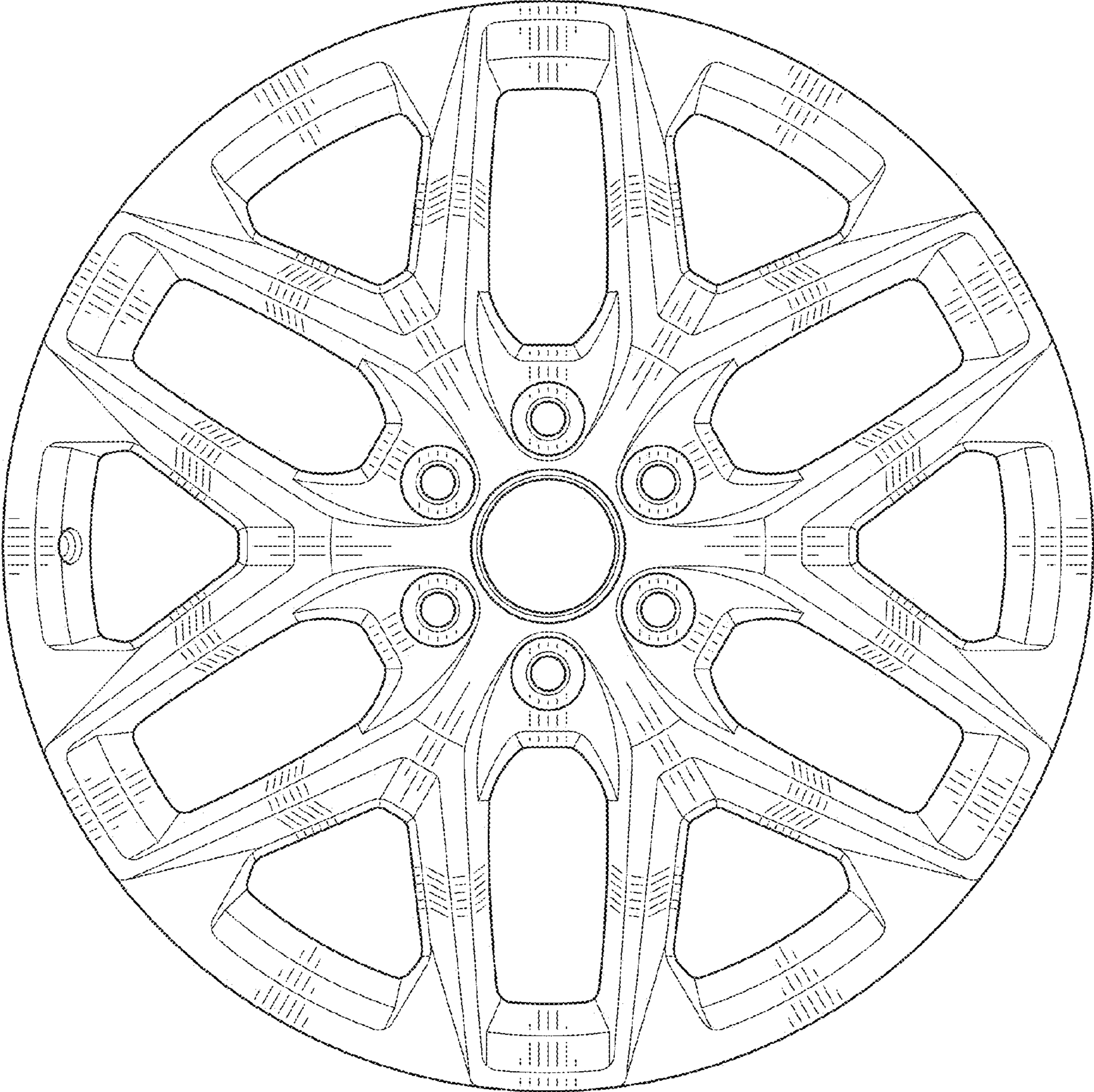


FIG. 1

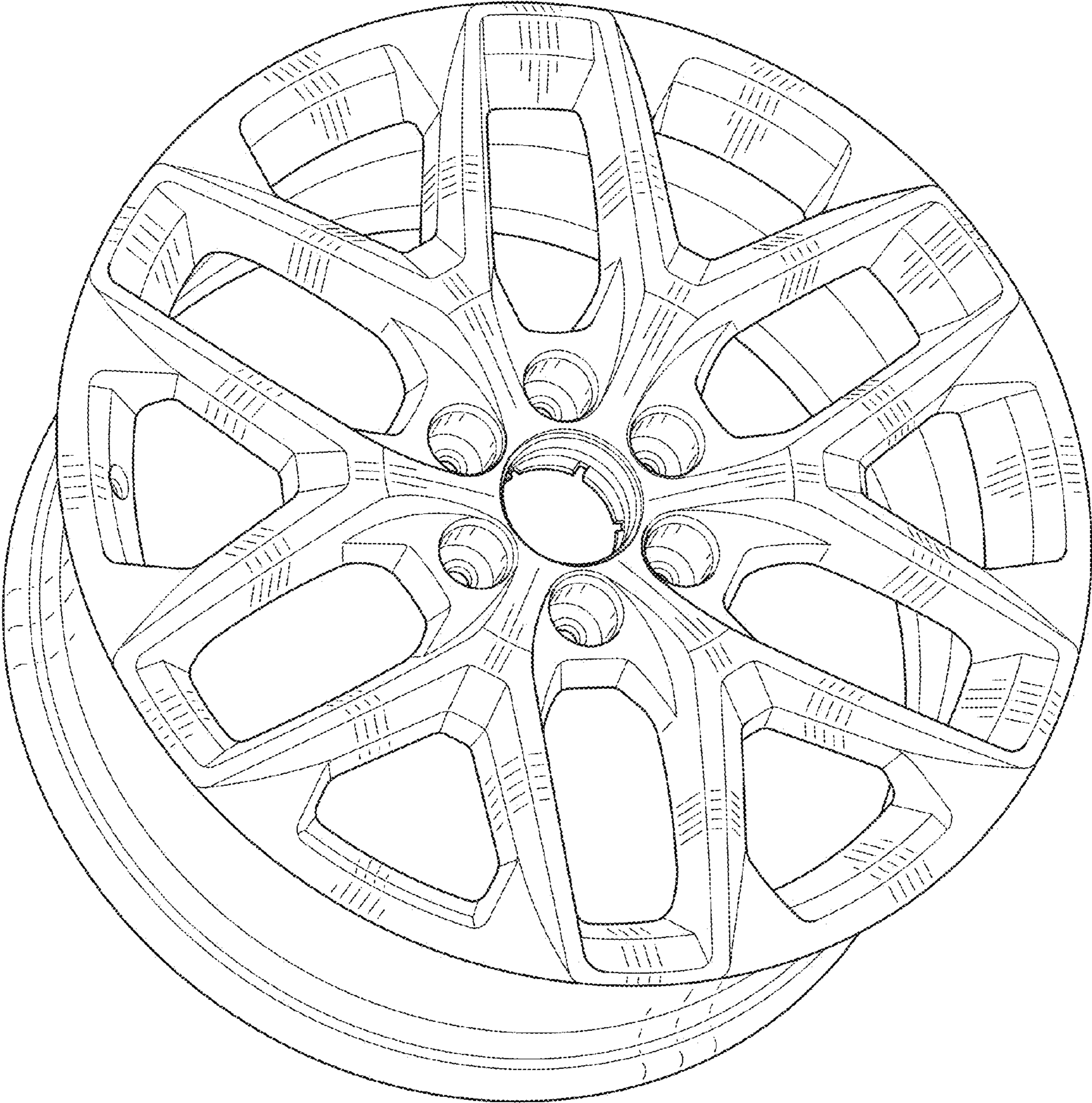


FIG. 2