



US00D987524S

(12) **United States Design Patent** (10) **Patent No.:** **US D987,524 S**
Kasper (45) **Date of Patent:** **** May 30, 2023**

(54) **VEHICLE WHEEL**
(71) Applicant: **GM GLOBAL TECHNOLOGY OPERATIONS LLC**, Detroit, MI (US)
(72) Inventor: **Bradley Kasper**, Ferndale, MI (US)
(73) Assignee: **GM Global Technology Operations LLC**, Detroit, MI (US)
(**) Term: **15 Years**
(21) Appl. No.: **29/774,721**
(22) Filed: **Mar. 18, 2021**
(51) **LOC (14) Cl.** **12-16**
(52) **U.S. Cl.**
USPC **D12/211**
(58) **Field of Classification Search**
USPC D12/204, 208, 210, 211, 213; D21/563
CPC B60B 7/02; B60B 3/02; B60B 7/04; B60B 7/06; B60B 3/04; B60B 3/06; B60B 3/10
See application file for complete search history.

D273,781 S 5/1984 Chapman
D275,192 S 8/1984 Schinella
D275,193 S 8/1984 Schinella
D277,661 S 2/1985 Cafaro et al.
D281,491 S 11/1985 Schinella
D282,159 S 1/1986 Schell et al.
D285,675 S 9/1986 Chandler
D285,676 S 9/1986 Clark
D285,677 S 9/1986 Menking
D285,786 S 9/1986 Munson
D291,879 S 9/1987 Boyle et al.
D292,389 S 10/1987 Boyle et al.
D292,390 S 10/1987 Ruzzin
D292,568 S 11/1987 Cafaro et al.
D292,569 S 11/1987 Cafaro et al.
D292,572 S 11/1987 Schell et al.
D292,574 S 11/1987 Cafaro et al.
D292,906 S 11/1987 Menking et al.
D292,907 S 11/1987 Cafaro
D294,342 S 2/1988 Chapman
D298,528 S 11/1988 Burke et al.
D300,422 S 3/1989 Schinella
D301,865 S 6/1989 McIntosh
D301,866 S 6/1989 Chapman et al.
D302,004 S 7/1989 Chapman et al.
D310,811 S 9/1990 North et al.
D310,989 S 10/1990 North et al.
D310,990 S 10/1990 Chandler
D316,844 S 5/1991 Peloquin et al.

(Continued)

(56) **References Cited**

U.S. PATENT DOCUMENTS

1,985,908 A * 1/1935 Zerk B60B 7/08
301/37.38
2,911,260 A * 11/1959 Lyon B60B 7/04
188/264 W
D258,503 S 3/1981 Semple
D258,504 S 3/1981 Schinella
D258,732 S 3/1981 Schinella
D259,484 S 6/1981 Welburn
D267,402 S 12/1982 Schinella
D267,562 S 1/1983 Palmer et al.
D267,564 S 1/1983 Wright
D268,105 S 3/1983 Schinella
D271,012 S 10/1983 Palmer et al.
D272,897 S 3/1984 Chapman

Primary Examiner — Joseph Kukella
Assistant Examiner — Lavon M. Amerson

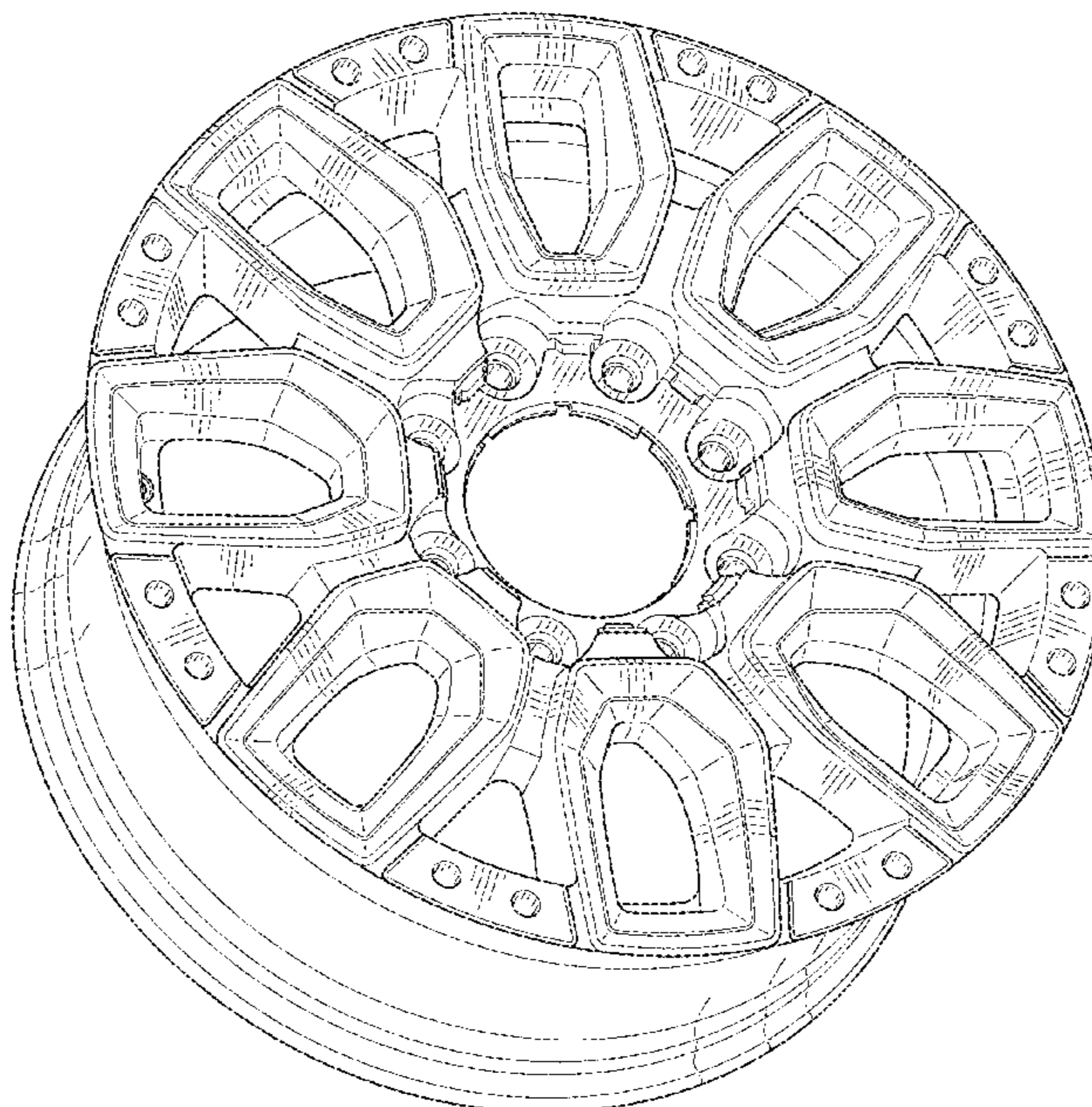
(57) **CLAIM**

The ornamental design for a vehicle wheel, as shown and described.

DESCRIPTION

FIG. 1 is a front elevational view of the vehicle wheel showing my new design; and, FIG. 2 is a front and left side perspective view thereof.

1 Claim, 2 Drawing Sheets



(56)

References Cited

U.S. PATENT DOCUMENTS

D323,806 S	2/1992	Stewart	
D336,742 S	6/1993	Stewart	
D345,127 S	3/1994	Stenglein et al.	
D594,802 S	6/2009	Gustafsson	
D595,202 S *	6/2009	Spoerle	D12/211
D596,101 S *	7/2009	Tant	D12/211
D613,661 S	4/2010	Lee et al.	
D648,254 S	11/2011	Barry	
D655,658 S	3/2012	Noone et al.	
D656,877 S	4/2012	Ikeda et al.	
D664,081 S	7/2012	Muller	
D670,634 S	11/2012	Lee	
D684,516 S	6/2013	Bennion	
D700,565 S	3/2014	Gonzalez	
D719,893 S *	12/2014	Kim	D12/211
D735,102 S	7/2015	Swanseger	
D735,630 S	8/2015	Swanseger	
D768,554 S *	10/2016	Rueckheim	D12/211
D775,049 S	12/2016	Scheer et al.	
D780,084 S	2/2017	Scheer et al.	
D836,526 S	12/2018	Skelley	
D886,020 S *	6/2020	Krause	D12/209
D890,068 S *	7/2020	Junghans	D12/209
D905,611 S *	12/2020	Kippes	B60B 7/08 D21/563
D974,266 S *	1/2023	Steinhoff	B60B 7/04 D12/209

* cited by examiner

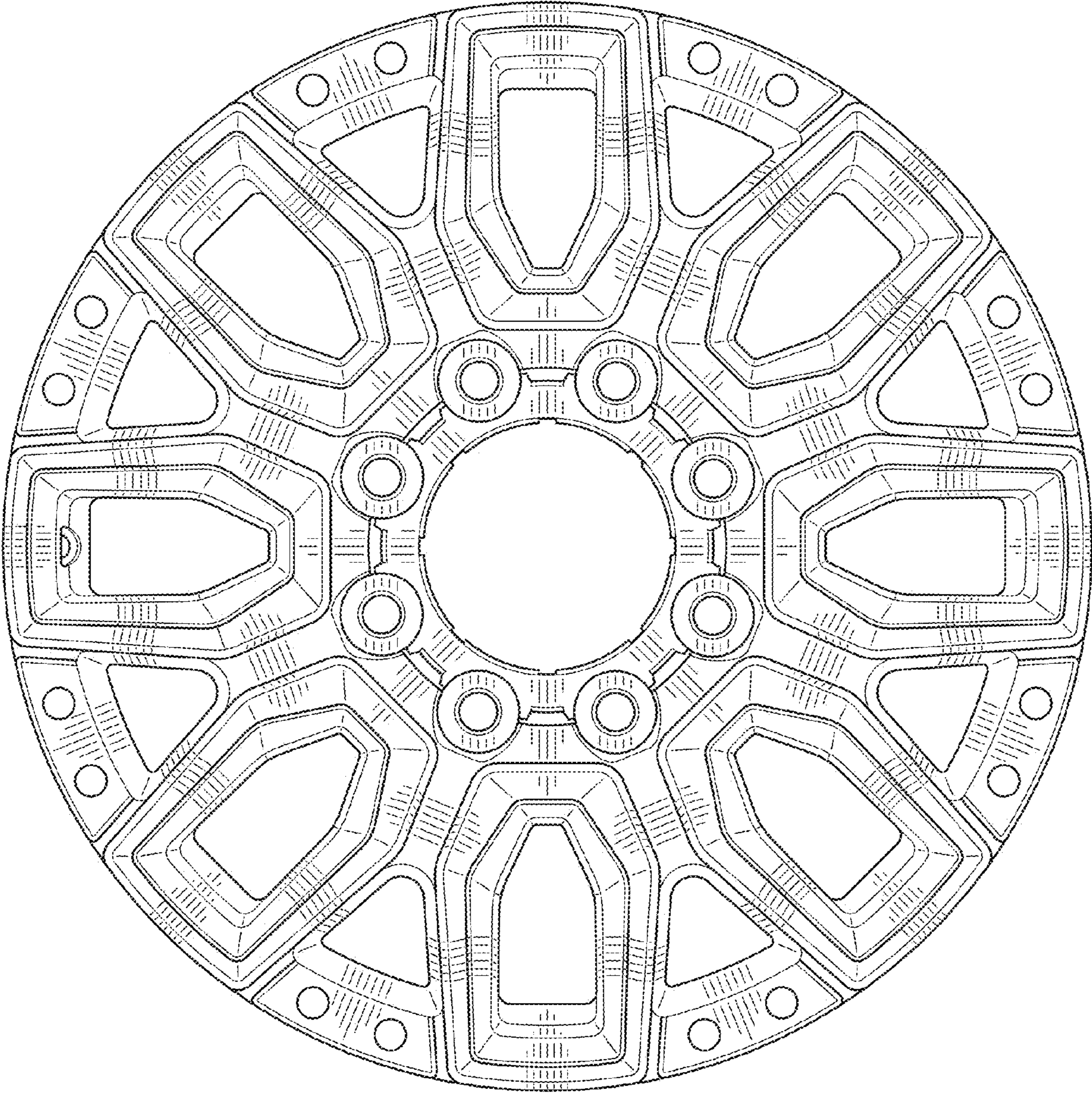


FIG. 1

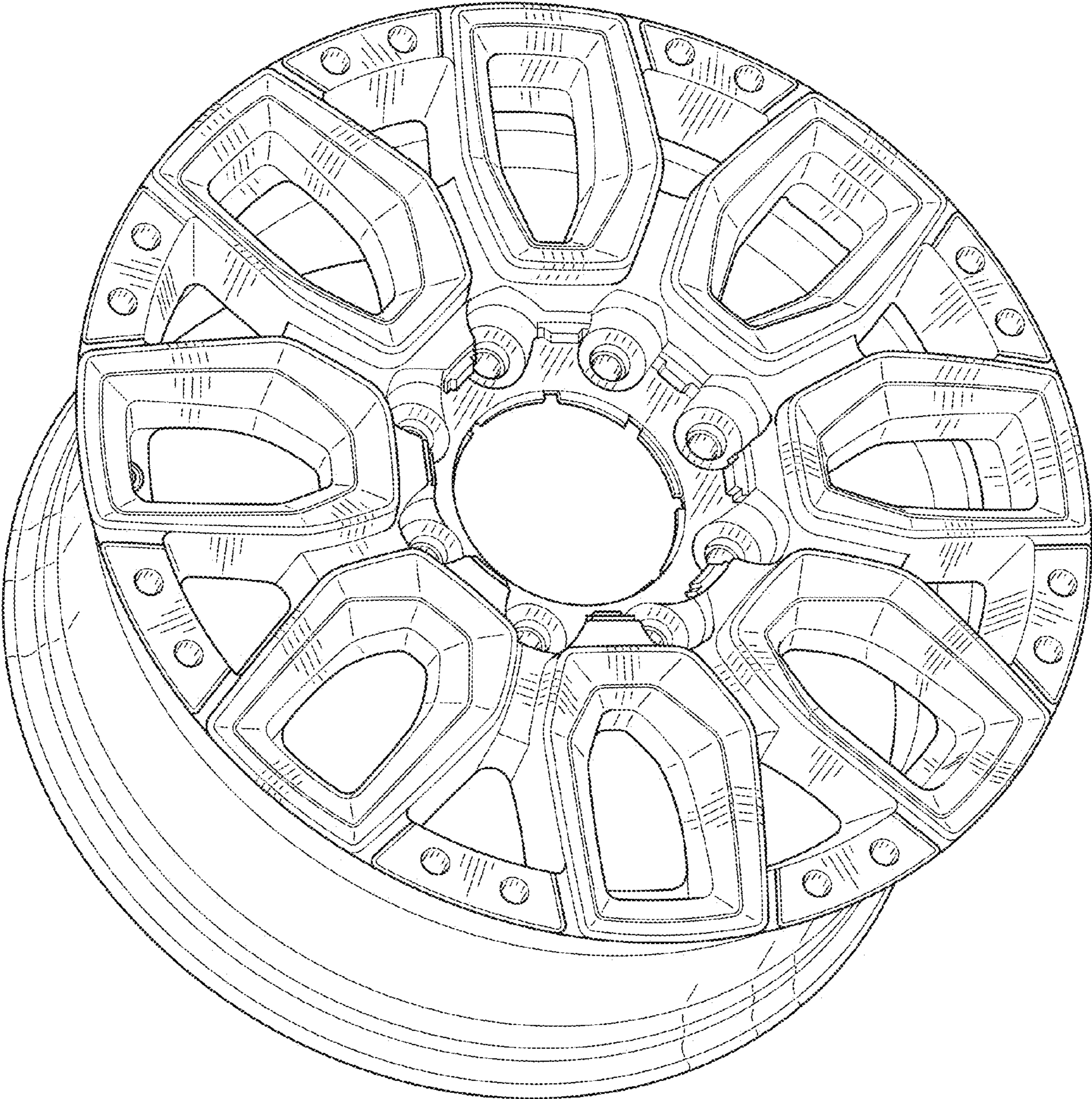


FIG. 2