



US00D987523S

(12) **United States Design Patent** (10) **Patent No.:** **US D987,523 S**  
**Scenna** (45) **Date of Patent:** **\*\* May 30, 2023**

(54) **VEHICLE WHEEL**  
(71) Applicant: **GM GLOBAL TECHNOLOGY OPERATIONS LLC**, Detroit, MI (US)  
(72) Inventor: **Adam K. Scenna**, Royal Oak, MI (US)  
(73) Assignee: **GM Global Technology Operations LLC**, Detroit, MI (US)  
(\*\*) Term: **15 Years**  
(21) Appl. No.: **29/774,716**  
(22) Filed: **Mar. 18, 2021**  
(51) **LOC (14) Cl.** ..... **12-16**  
(52) **U.S. Cl.**  
USPC ..... **D12/211**  
(58) **Field of Classification Search**  
USPC ..... D12/204, 208, 210, 211, 213; D21/563  
CPC .... B60B 7/02; B60B 3/02; B60B 7/04; B60B 7/06; B60B 3/04; B60B 3/06; B60B 3/10  
See application file for complete search history.

D285,675 S 9/1986 Chandler  
D285,676 S 9/1986 Clark  
D285,677 S 9/1986 Menking  
D285,786 S 9/1986 Munson  
D291,879 S 9/1987 Boyle et al.  
D292,389 S 10/1987 Boyle et al.  
D292,390 S 10/1987 Ruzzin  
D292,568 S 11/1987 Cafaro et al.  
D292,569 S 11/1987 Cafaro et al.  
D292,572 S 11/1987 Schell et al.  
D292,574 S 11/1987 Cafaro et al.  
D292,906 S 11/1987 Menking et al.  
D292,907 S 11/1987 Cafaro et al.  
D294,342 S 2/1988 Chapman  
D298,528 S 11/1988 Burke et al.  
D300,422 S 3/1989 Schinella  
D301,865 S 6/1989 McIntosh  
D301,866 S 6/1989 Chapman et al.  
D302,004 S 7/1989 Chapman et al.  
D310,811 S 9/1990 North et al.  
D310,989 S 10/1990 North et al.  
D310,990 S 10/1990 Chandler

(Continued)

**OTHER PUBLICATIONS**

ebay.com, New GMC Sierra Yukon Denali Factory OEM, published Oct. 27, 2022 [retrieved Jan. 18, 2023]. Retrieved from the internet<<https://www.ebay.com/itm/394070122948>> (Year: 2022).\*

*Primary Examiner* — Joseph Kukella  
*Assistant Examiner* — Lavon M. Amerson

(56) **References Cited**  
U.S. PATENT DOCUMENTS

D258,503 S 3/1981 Semple  
D258,504 S 3/1981 Schinella  
D258,732 S 3/1981 Schinella  
D259,484 S 6/1981 Welburn  
D267,402 S 12/1982 Schinella  
D267,562 S 1/1983 Palmer et al.  
D267,564 S 1/1983 Wright  
D268,105 S 3/1983 Schinella  
D271,012 S 10/1983 Palmer et al.  
D272,897 S 3/1984 Chapman  
D273,781 S 5/1984 Chapman  
D275,192 S 8/1984 Schinella  
D275,193 S 8/1984 Schinella  
D277,661 S 2/1985 Cafaro et al.  
D281,491 S 11/1985 Schinella  
D282,159 S 6/1986 Schell et al.

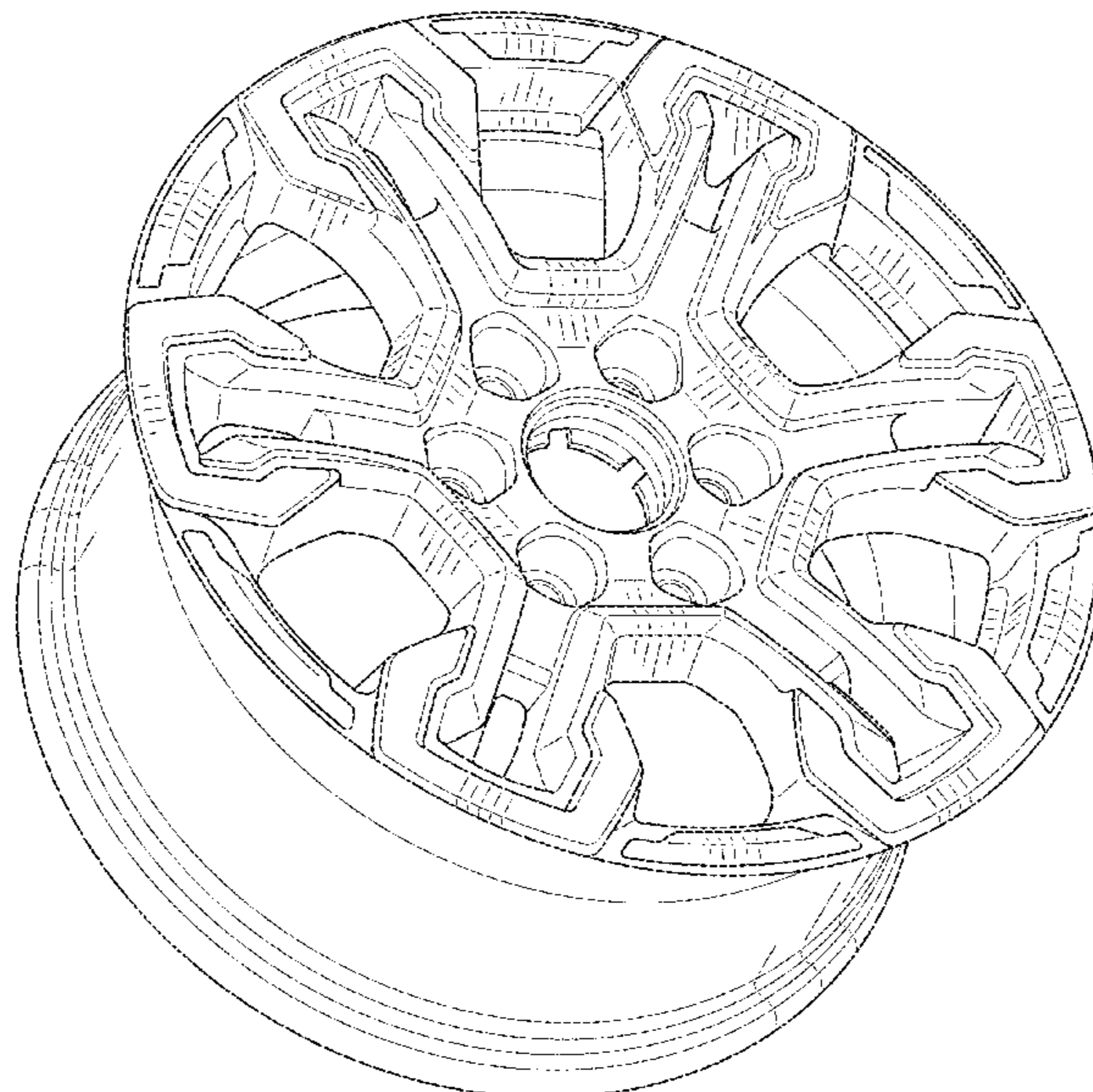
(57) **CLAIM**

The ornamental design for a vehicle wheel, as shown and described.

**DESCRIPTION**

FIG. 1 is a front elevational view of the vehicle wheel showing my new design; and, FIG. 2 is a front and left side perspective view thereof.

**1 Claim, 2 Drawing Sheets**



(56)

**References Cited**

## U.S. PATENT DOCUMENTS

D316,844 S	5/1991	Peloquin et al.	
D323,806 S	2/1992	Stewart	
D336,742 S	6/1993	Stewart	
D345,127 S	3/1994	Stenglein et al.	
D594,802 S	6/2009	Gustafsson	
D596,101 S *	7/2009	Tant .....	D12/211
D613,661 S	4/2010	Lee et al.	
D648,254 S	11/2011	Barry	
D655,658 S	3/2012	Noone et al.	
D656,877 S	4/2012	Ikeda et al.	
D664,081 S	7/2012	Mueller	
D670,634 S	11/2012	Lee	
D684,516 S	6/2013	Bennion	
D700,565 S	3/2014	Gonzalez	
D735,102 S	7/2015	Swanseger	
D735,630 S	8/2015	Swanseger	
D769,785 S *	10/2016	Wells .....	D12/211
D775,049 S	12/2016	Scheer et al.	
D780,084 S	2/2017	Scheer et al.	
D836,526 S	12/2018	Skelley	
D852,714 S *	7/2019	Hale, Jr. ....	D12/213
D884,571 S *	5/2020	Morgenstern .....	D12/209
D918,814 S *	5/2021	Kraljevic .....	D12/209
D929,928 S *	9/2021	Steinhoff .....	D12/209
D944,706 S *	3/2022	Echazabal .....	D12/209

\* cited by examiner



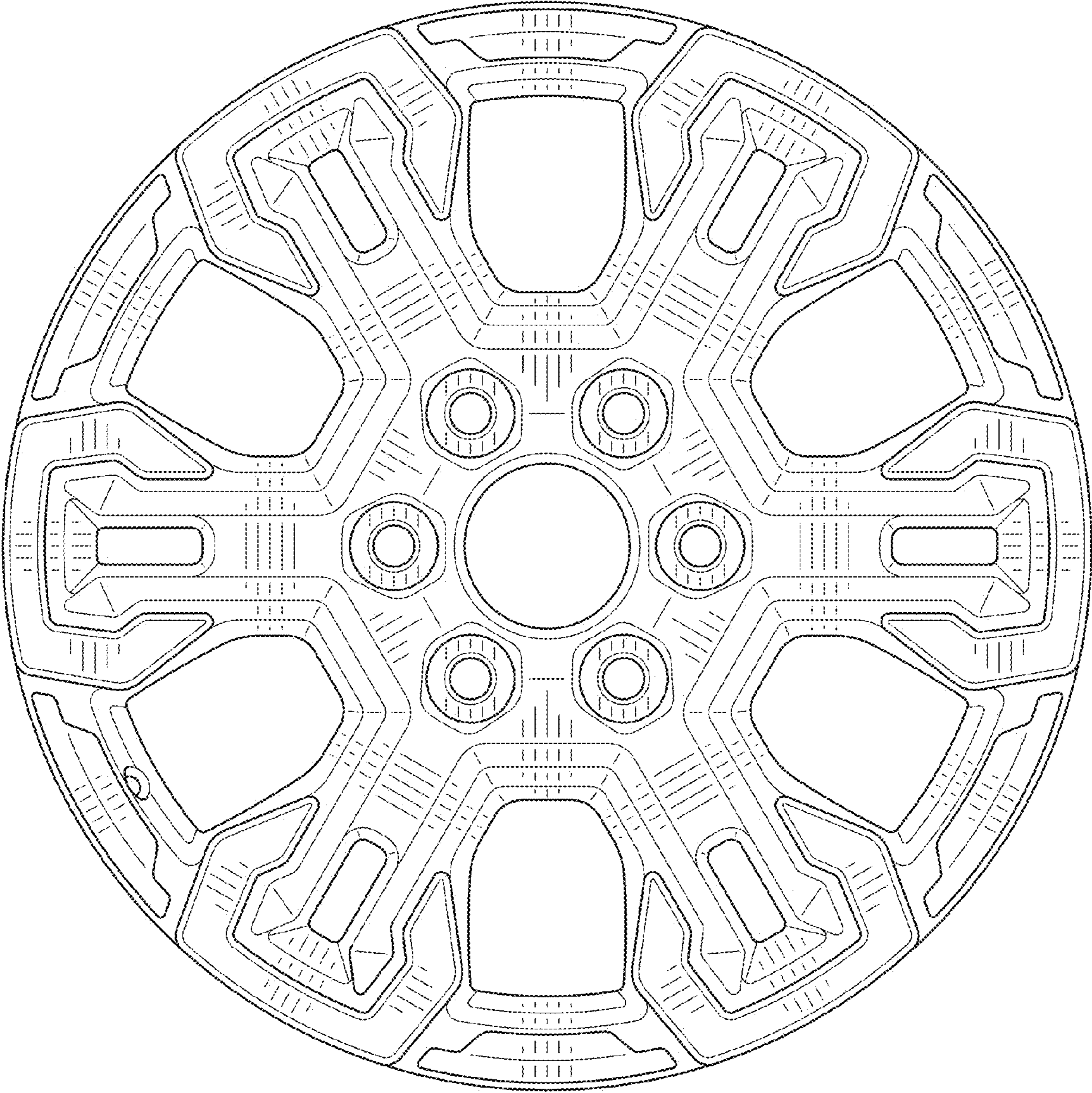


FIG. 1

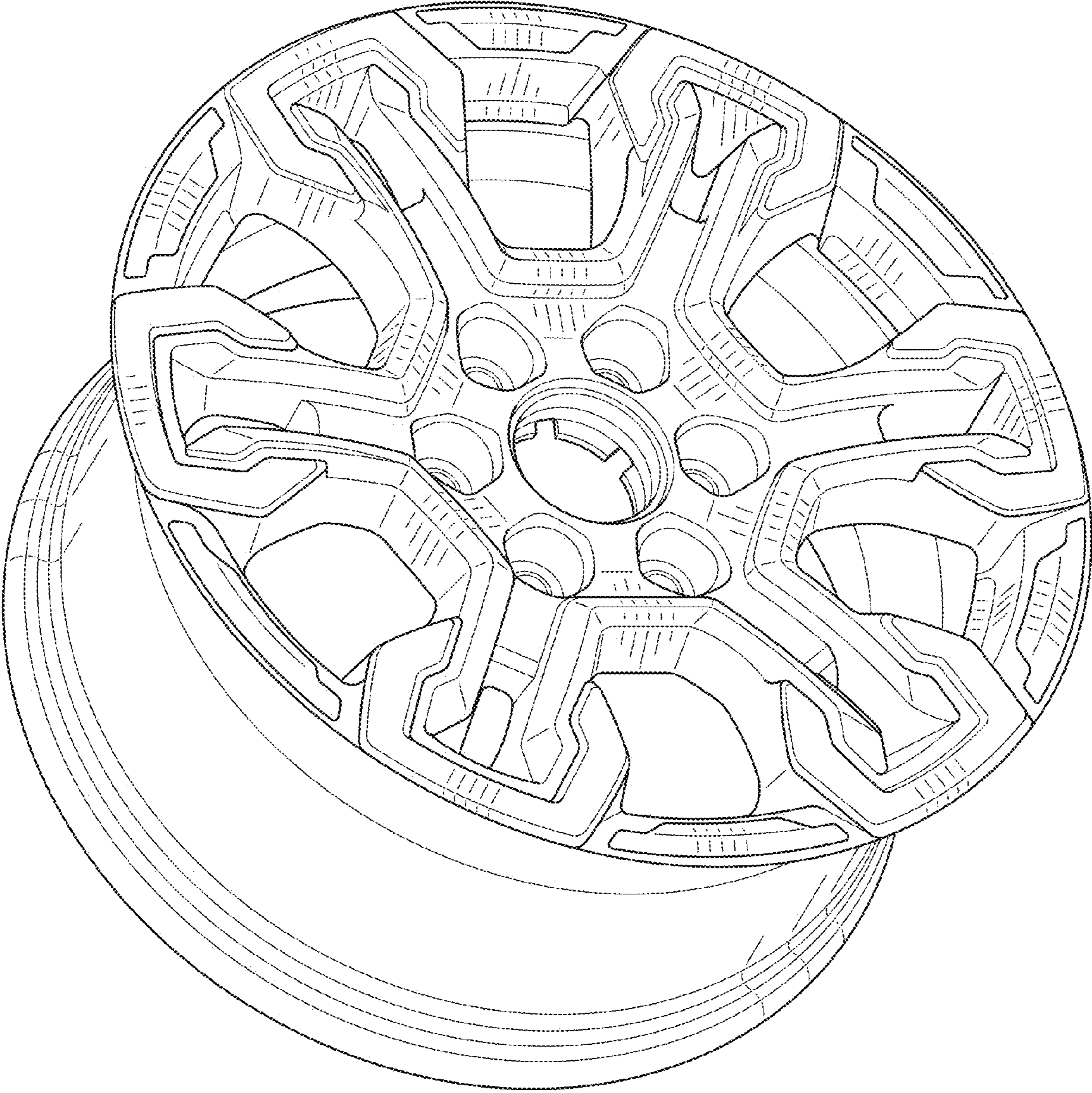


FIG. 2