



US00D987521S

(12) **United States Design Patent**
Tippmann

(10) **Patent No.:** **US D987,521 S**

(45) **Date of Patent:** **** May 30, 2023**

(54) **VEHICLE WHEEL**

FOREIGN PATENT DOCUMENTS

(71) Applicant: **Brett Tippmann**, Denver, CO (US)

CN 305433183 * 11/2019
EM 009024524_0001 * 6/2022

(72) Inventor: **Brett Tippmann**, Denver, CO (US)

(73) Assignee: **FCA US LLC**, Auburn Hills, MI (US)

(**) Term: **15 Years**

OTHER PUBLICATIONS

(21) Appl. No.: **29/765,161**

RockTrix RT112 17 inch Wheel Compatible with 01-21 Toyota Tacoma 6x5.5", available in Amazon.com, customer review oldest date May 11, 2019 [online], [site visited Aug. 10, 2022], Available from the internet URL: https://www.amazon.com/dp/B08X1N7Q5W/ref=syn_sd_onsite_desktop_331?psc=1&pf_rd_p=ec7e49ff-ccce-49e1-b560-6096.*

(22) Filed: **Jan. 6, 2021**

(51) **LOC (14) Cl.** **12-16**

(52) **U.S. Cl.**

USPC **D12/211**

(58) **Field of Classification Search**

USPC D12/204-213; D21/563

CPC B60B 7/00; B60B 7/02; B60B 7/04; B60B

7/06; B60B 3/02; B60B 3/04; B60B 3/06;

B60B 3/10; B60B 1/00; B60B 1/08;

B60B 1/10; B60B 1/12

See application file for complete search history.

* cited by examiner

Primary Examiner — Darlington Ly

Assistant Examiner — D. Ryan Tisdale

(74) *Attorney, Agent, or Firm* — Ralph E. Smith

(57) **CLAIM**

The ornamental design for a vehicle wheel, as shown and described.

(56) **References Cited**

DESCRIPTION

U.S. PATENT DOCUMENTS

D828,264 S *	9/2018	Owens	D12/209
D830,933 S *	10/2018	Zhao	D12/209
D855,535 S *	8/2019	Badstuebner	D12/209
D865,607 S *	11/2019	Scheinhütte	D12/209
D890,065 S *	7/2020	Metros	D12/209
D936,549 S *	11/2021	Sempek	D12/209
D941,210 S *	1/2022	Cho	D12/209
D947,094 S *	3/2022	Krause	D12/209
2016/0368315 A1 *	12/2016	Nunes	B60B 7/0013

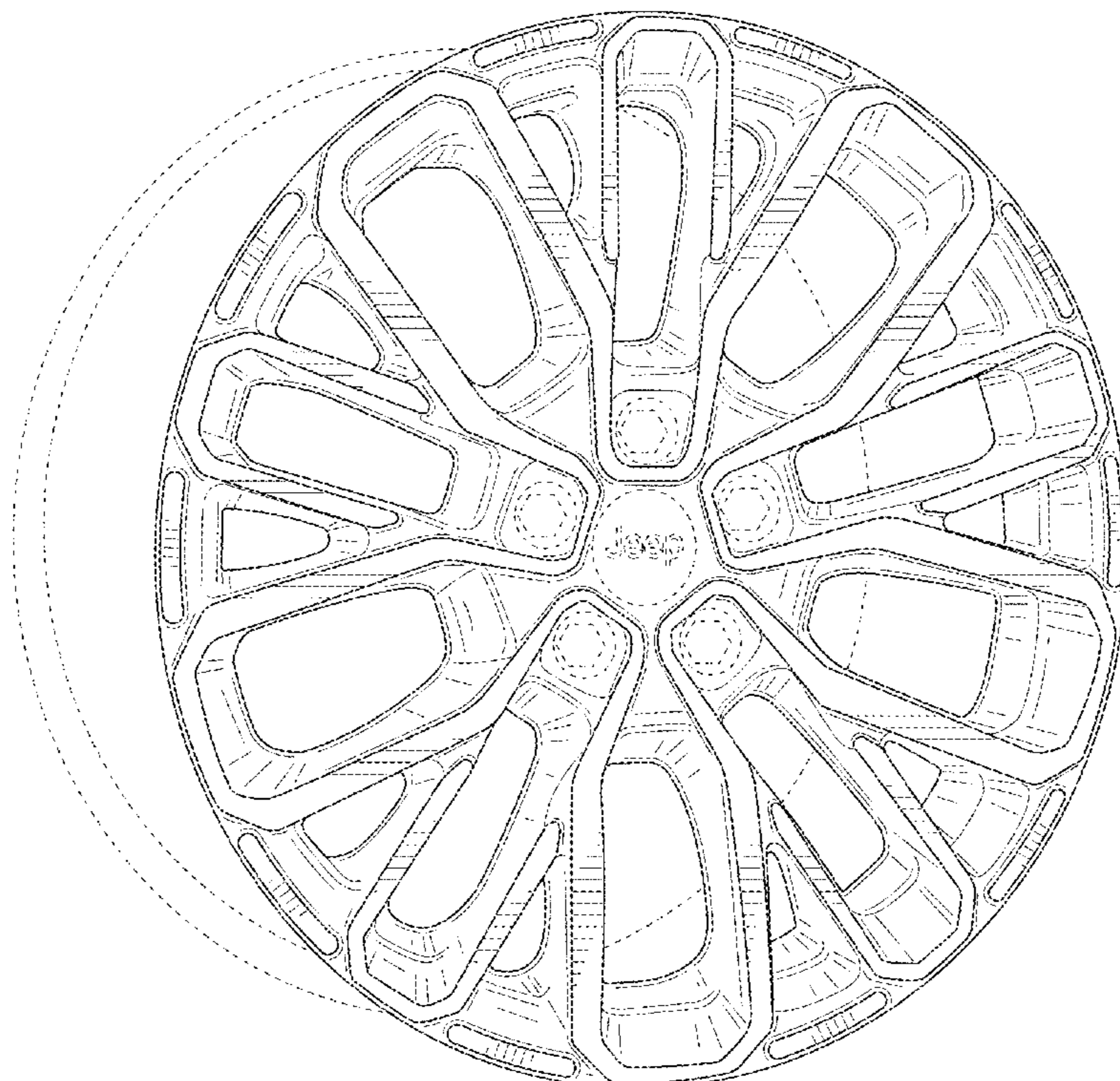
FIG. 1 is a right perspective view of a vehicle wheel showing our new design;

FIG. 2 is a left perspective view thereof; and,

FIG. 3 is a front view thereof.

It will be understood that the broken lines shown in the drawings illustrate portions of the vehicle wheel that form no part of the claimed design.

1 Claim, 3 Drawing Sheets



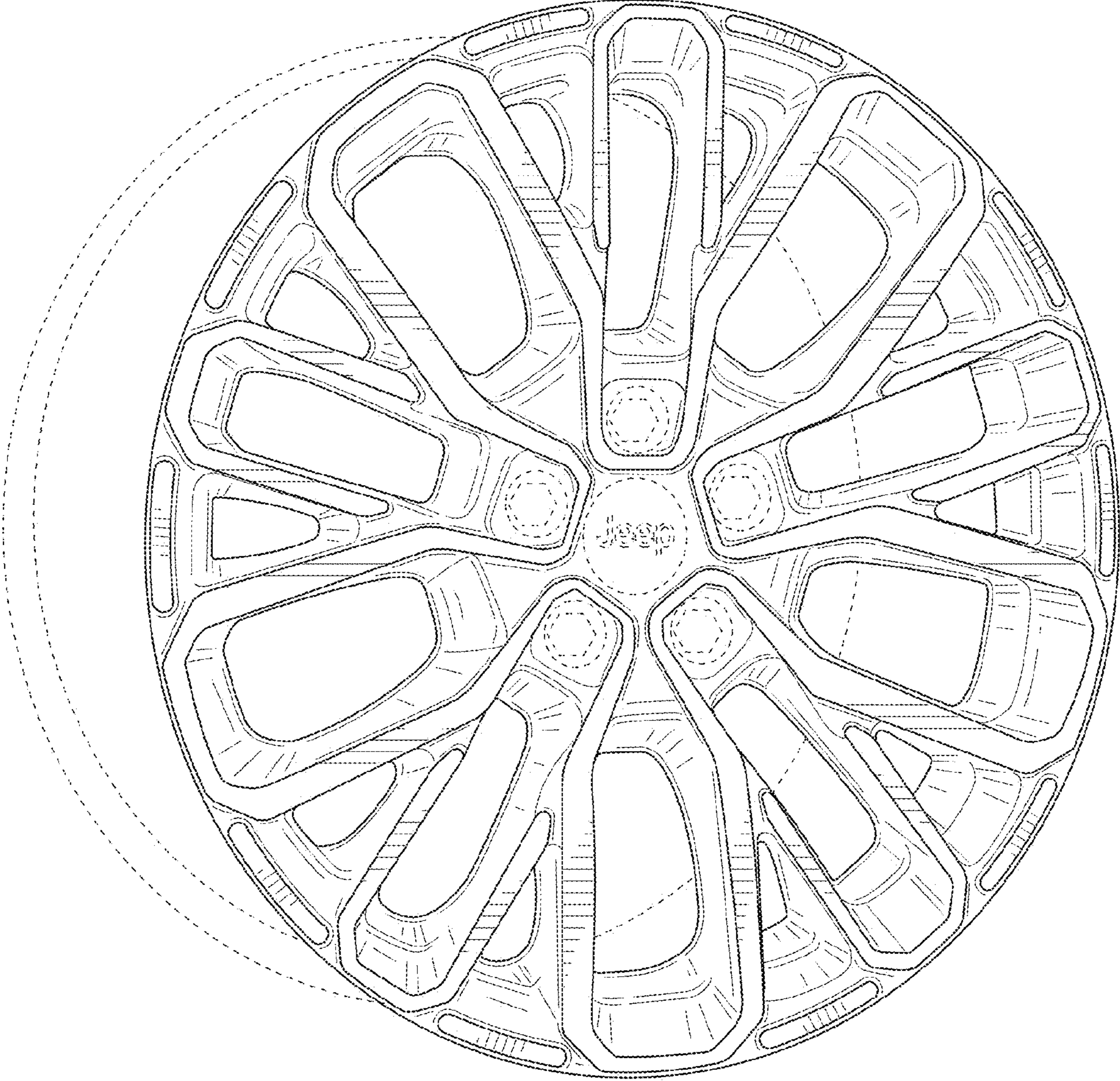


FIG. 1

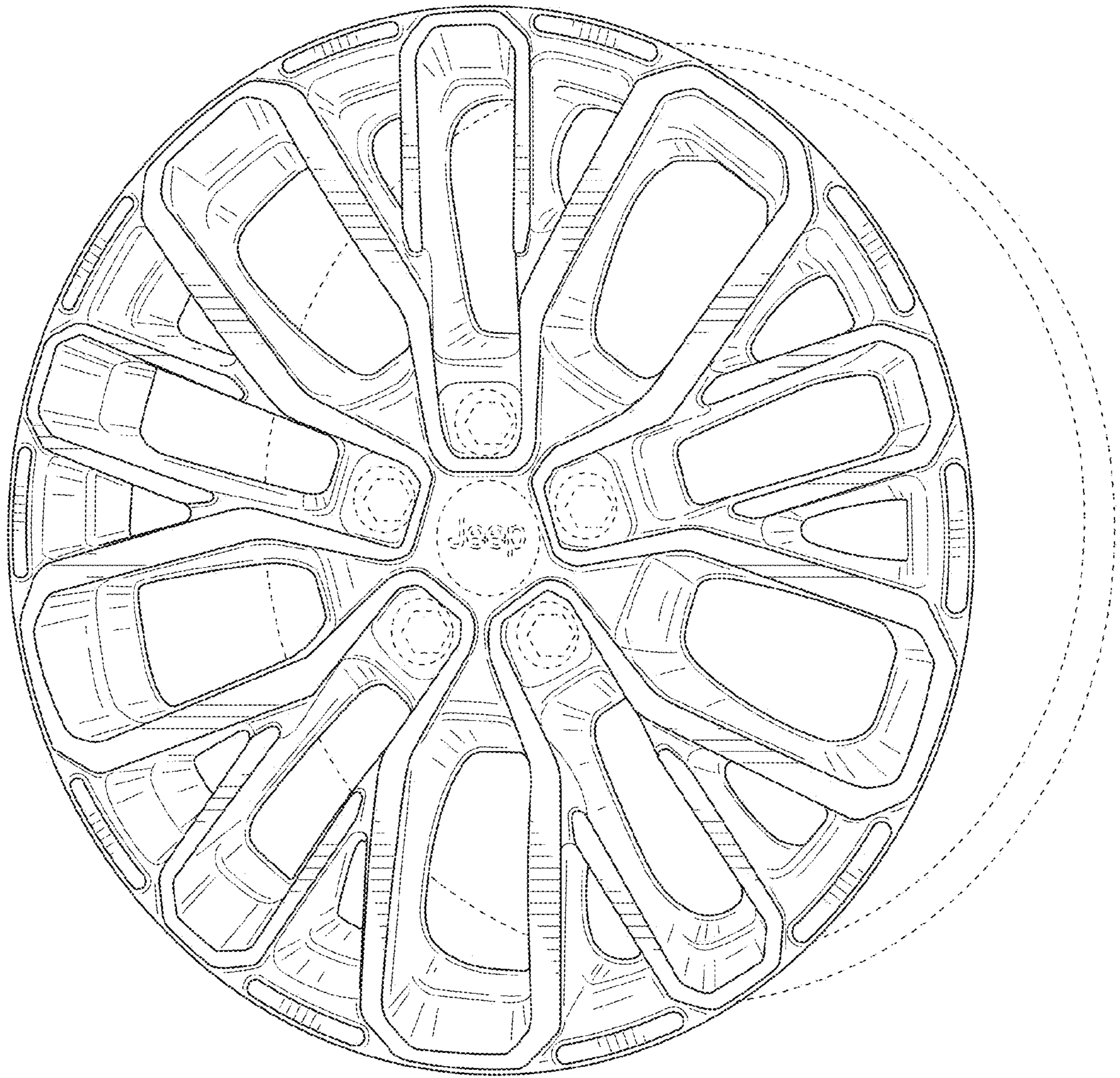


FIG. 2

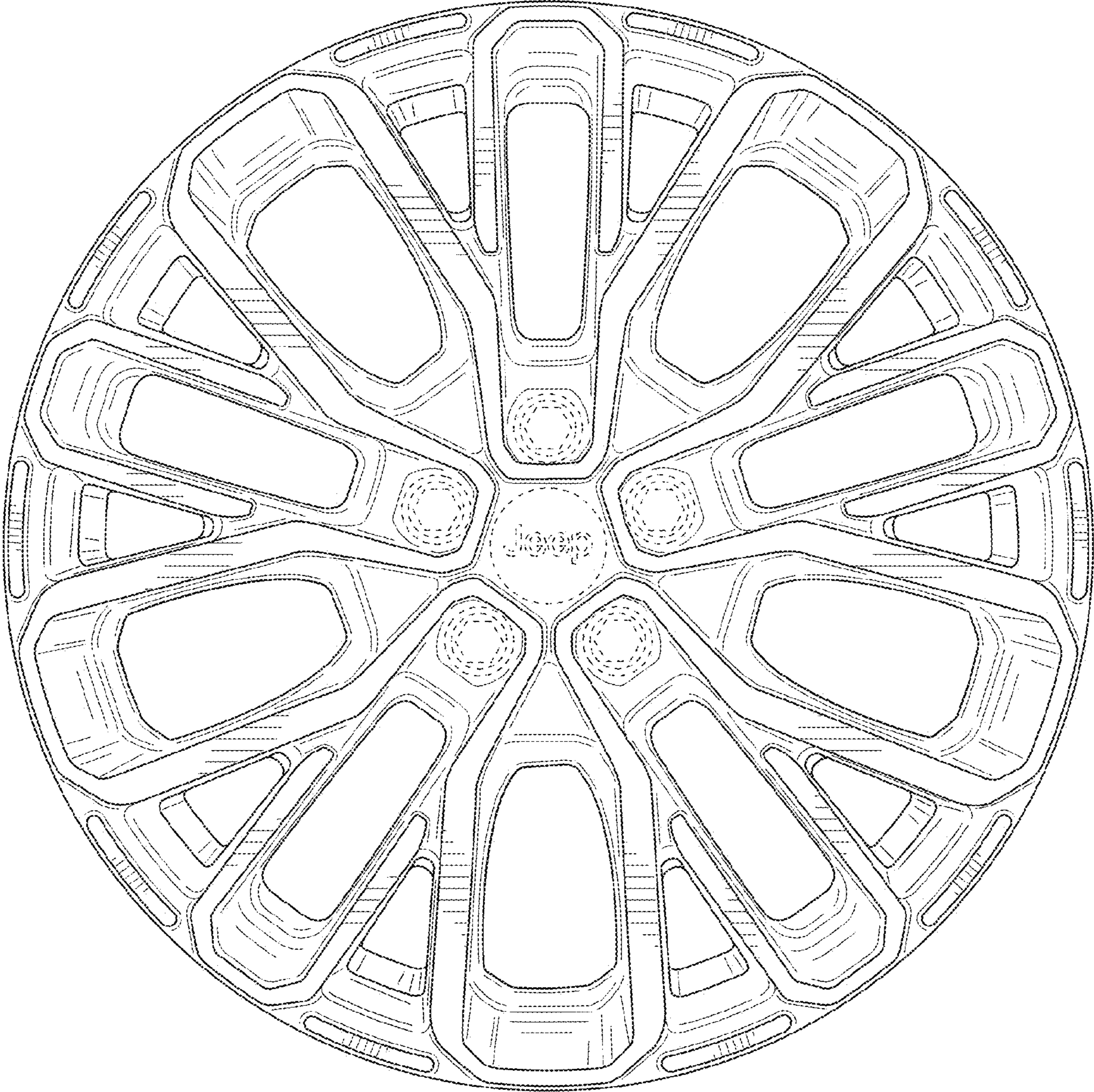


FIG. 3