



US00D987517S

(12) **United States Design Patent**
Echazabal et al.

(10) **Patent No.:** **US D987,517 S**
(45) **Date of Patent:** **** May 30, 2023**

- (54) **VEHICLE WHEEL**
- (71) Applicant: **Toyota Motor North America, Inc.**,
Plano, TX (US)
- (72) Inventors: **Alberto Echazabal**, Prosper, TX (US);
Jakin C. Wilson, Prosper, TX (US)
- (73) Assignee: **Toyota Motor North America, Inc.**,
Plano, TX (US)
- (**) Term: **15 Years**
- (21) Appl. No.: **29/747,354**
- (22) Filed: **Aug. 21, 2020**
- (51) **LOC (14) Cl.** **12-16**
- (52) **U.S. Cl.**
USPC **D12/209**; D12/211
- (58) **Field of Classification Search**
USPC D12/204–213; D21/563
CPC B60B 7/00; B60B 7/02; B60B 7/04; B60B
7/01; B60B 7/06; B60B 3/02; B60B 3/04;
B60B 3/06; B60B 3/10; B60B 1/00;
B60B 1/08; B60B 1/10; B60B 1/12
See application file for complete search history.

(56) **References Cited**

U.S. PATENT DOCUMENTS

D395,031 S	6/1998	Timm	
D402,952 S	12/1998	Sycha	
D475,336 S	6/2003	Larson	
D496,623 S	9/2004	Elmitt	
D554,035 S	10/2007	Groom	
D572,185 S	7/2008	Pollmann	
D579,397 S	10/2008	Osborne	
D586,715 S	2/2009	Cortes	
D589,427 S	3/2009	Scheu	
D593,018 S *	5/2009	Juergens D12/209
D625,238 S	10/2010	Zhao	
D628,135 S	11/2010	Zhao	

D629,732 S	12/2010	Tirado	
D644,587 S	9/2011	Gotschke	
D656,448 S	3/2012	Zhao	
D670,227 S	11/2012	Chung	
D687,756 S	8/2013	Campbell et al.	
D688,187 S	8/2013	McMath	
D690,642 S *	10/2013	Kito D12/209
D706,198 S	6/2014	Chung	
D731,946 S	6/2015	Chung	
D733,027 S	6/2015	Chung	
D750,004 S	2/2016	Chung	
D758,948 S	6/2016	Trpinac	
D765,002 S	8/2016	Hoste et al.	
D767,468 S	9/2016	Stone et al.	
D781,199 S	3/2017	Dionisopoulos et al.	
D781,766 S *	3/2017	Galante D12/209
D782,383 S *	3/2017	Owens D12/209
D783,496 S *	4/2017	Glover D12/209
D786,165 S	5/2017	Hale, Jr.	

(Continued)

Primary Examiner — Calvin E Vansant

(74) *Attorney, Agent, or Firm* — Dinsmore & Shohl LLP

(57) **CLAIM**

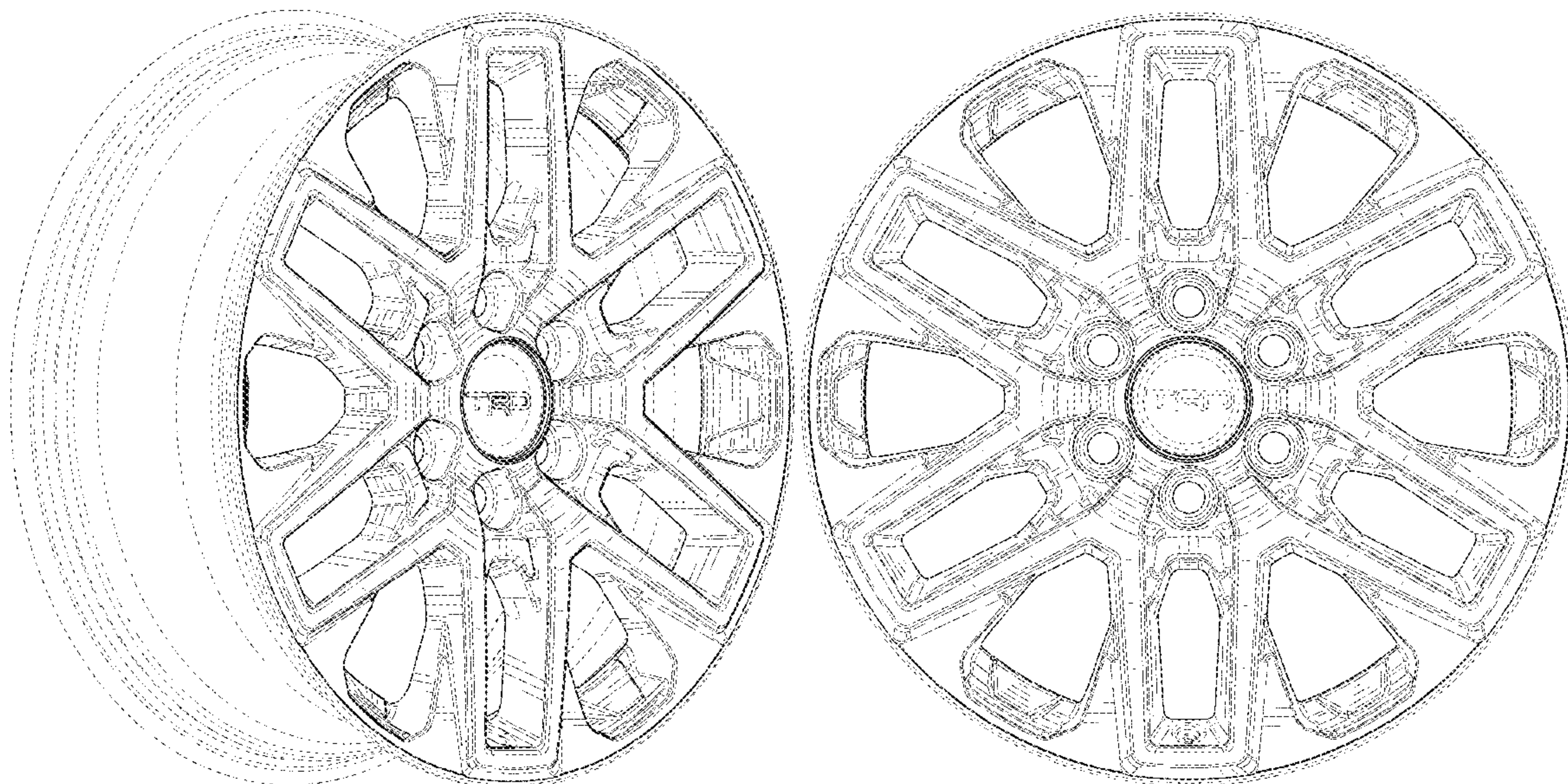
The ornamental design for a vehicle wheel, as shown and described.

DESCRIPTION

FIG. 1 is a front perspective view of a vehicle wheel illustrating an embodiment of our new design; FIG. 2 is a rear perspective view thereof; FIG. 3 is a front view thereof; FIG. 4 is a rear view thereof; and, FIG. 5 is a side view thereof.

The broken lines in the drawings are included for the purpose of illustrating environmental structure and form no part of the claimed design. The side view depicted in FIG. 5 depicts a view of the vehicle wheel from a single side (e.g., a left side view or a right side view) and it should be understood that each of these side views are the same.

1 Claim, 5 Drawing Sheets



(56)

References Cited

U.S. PATENT DOCUMENTS

D787,405 S	5/2017	Nakamura	
D791,036 S	7/2017	Owens et al.	
D792,827 S	7/2017	Chung	
D799,399 S	10/2017	Chung	
D800,044 S	10/2017	Ghobrial et al.	
D817,846 S	5/2018	Stone et al.	
D835,024 S	12/2018	Han	
D849,660 S	5/2019	Ranum	
D854,487 S	7/2019	Hale	
D876,309 S	2/2020	Echazabal	
D885,297 S	5/2020	Hale	
D888,642 S *	6/2020	Ninov	D12/209
D896,147 S *	9/2020	Hoste	D12/209
D904,272 S *	12/2020	Licklitter	D12/209
D910,525 S *	2/2021	Tran	D12/209
D922,290 S *	6/2021	Kaoud	D12/209
D935,973 S *	11/2021	Kangas	D12/209

* cited by examiner

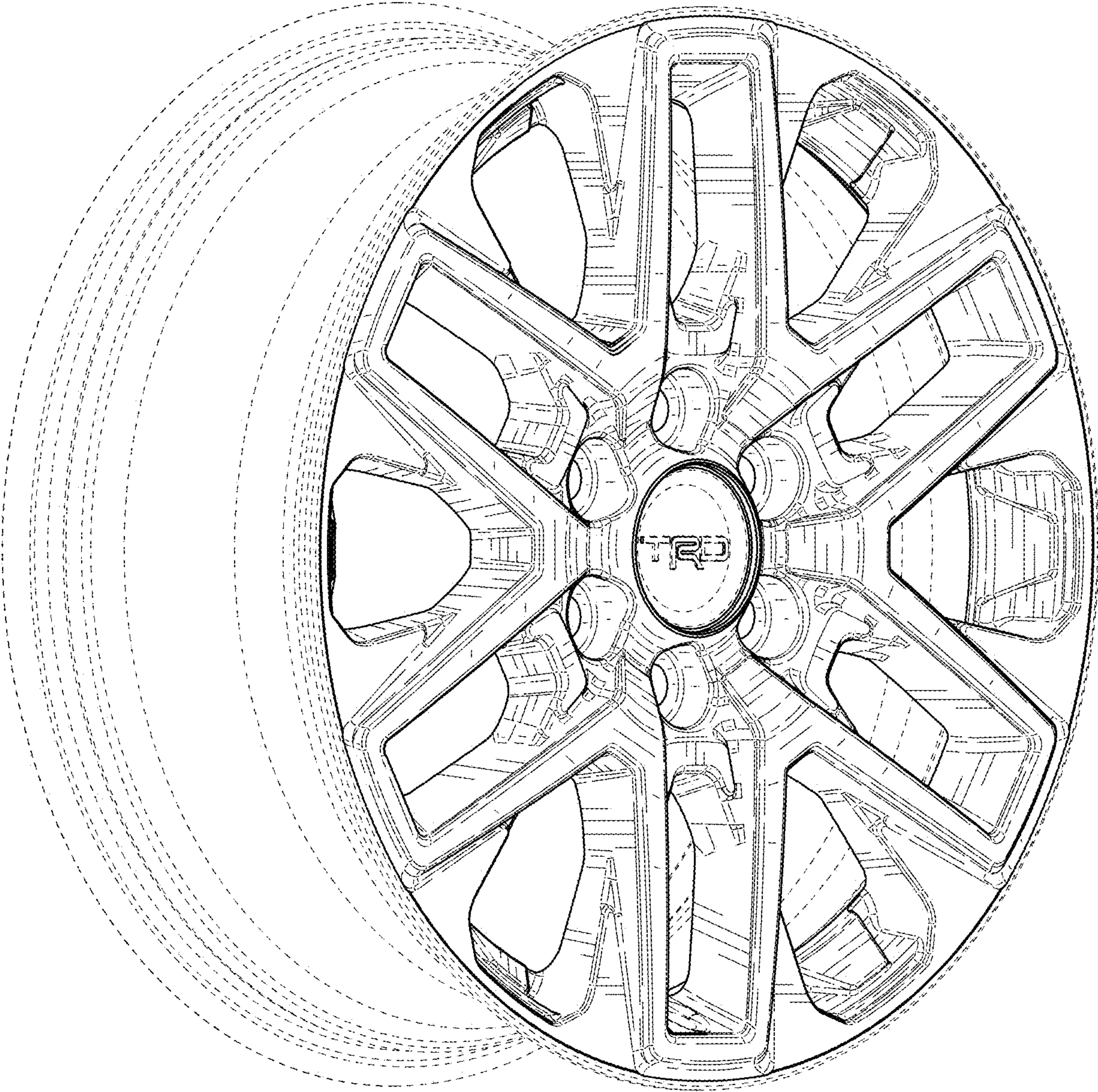


FIG. 1

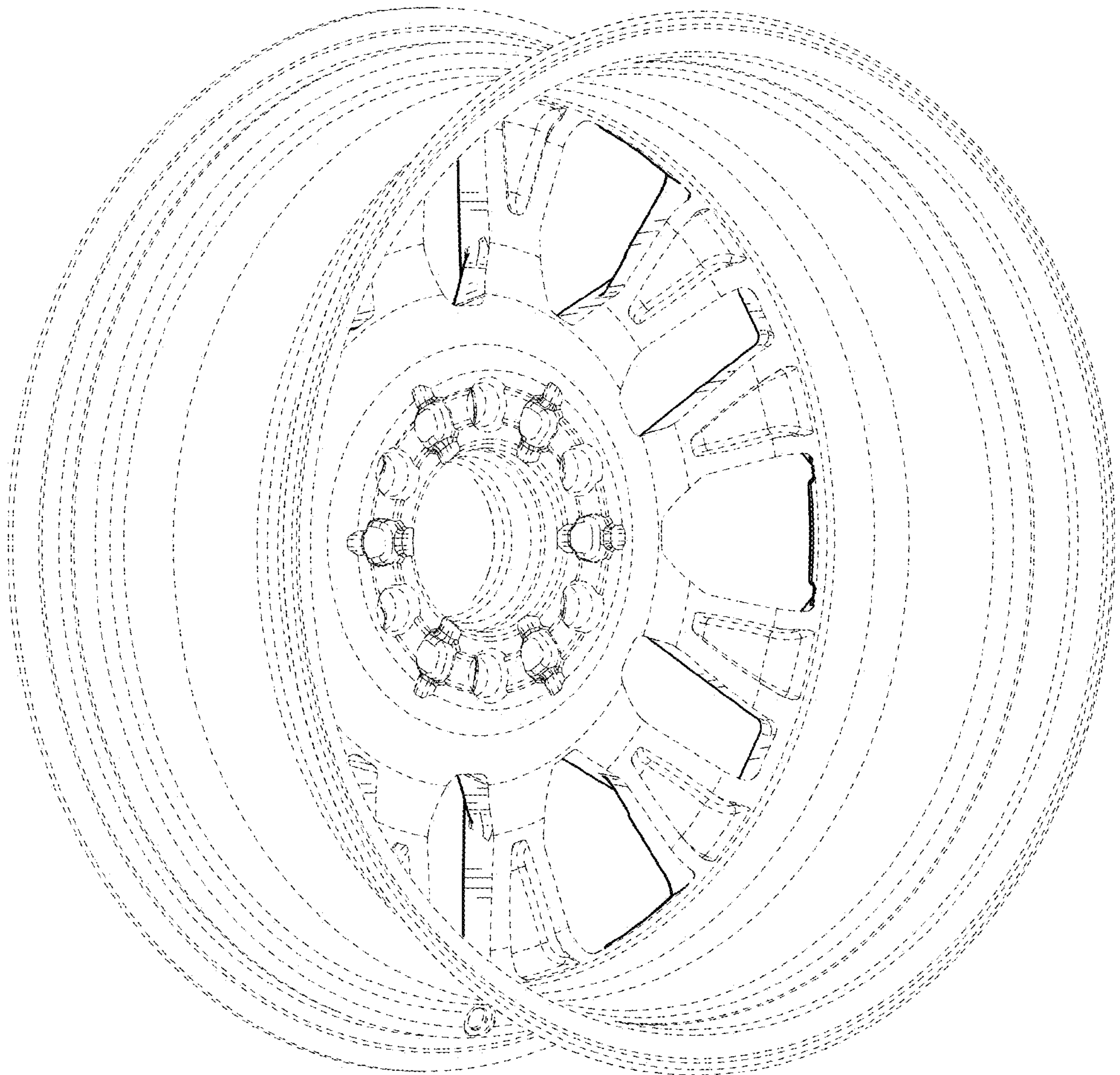


FIG. 2

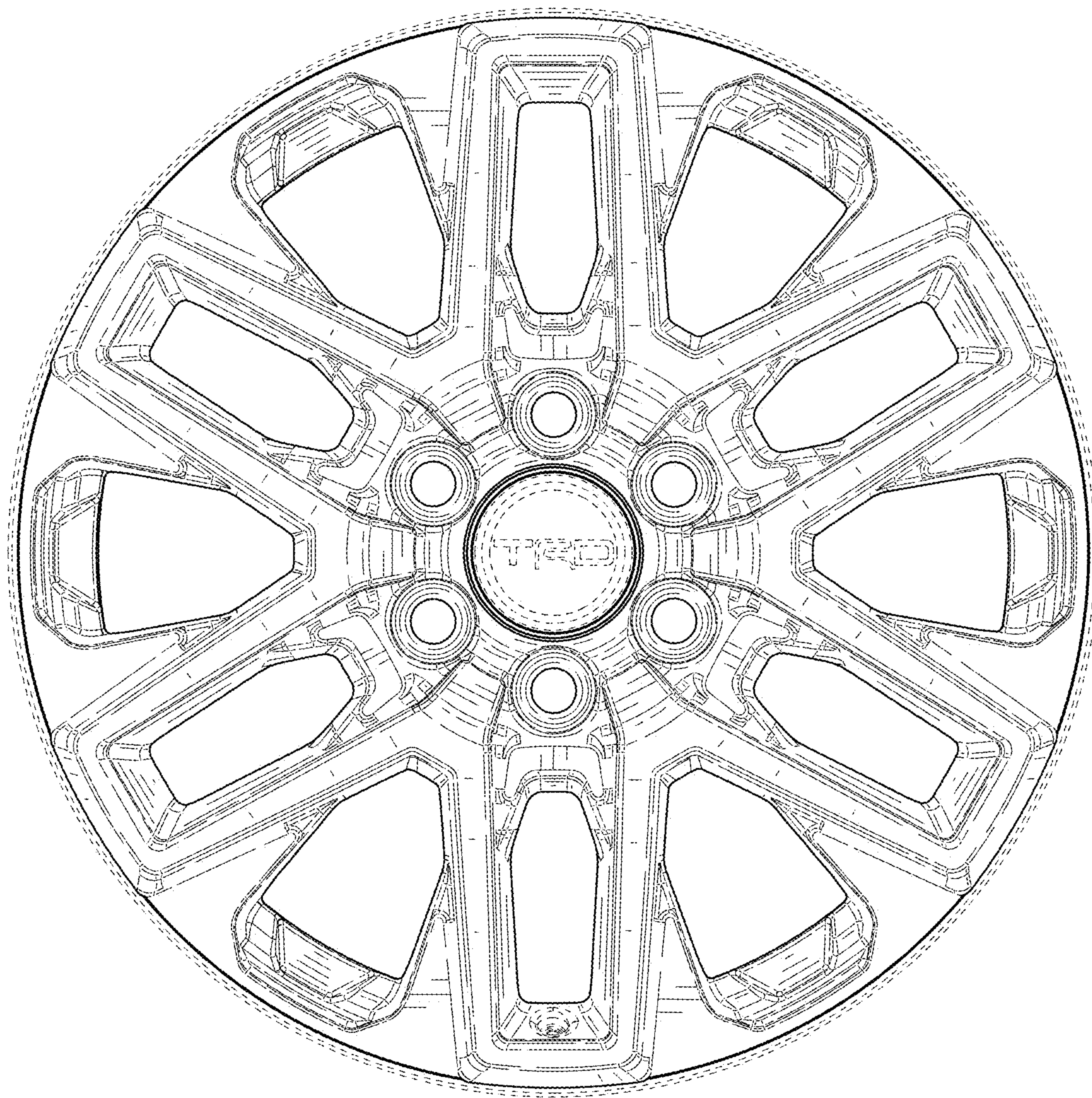


FIG. 3

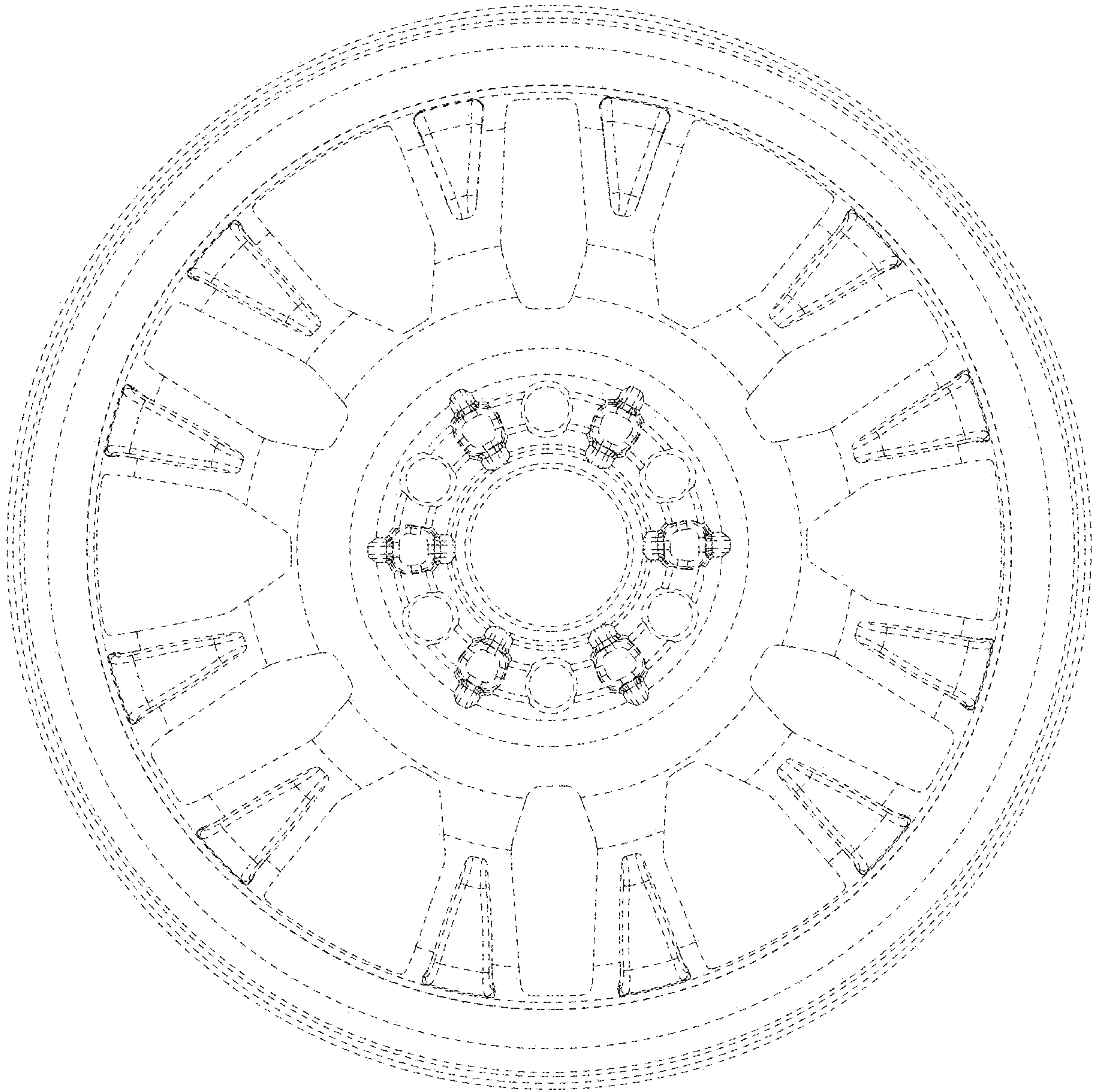


FIG. 4

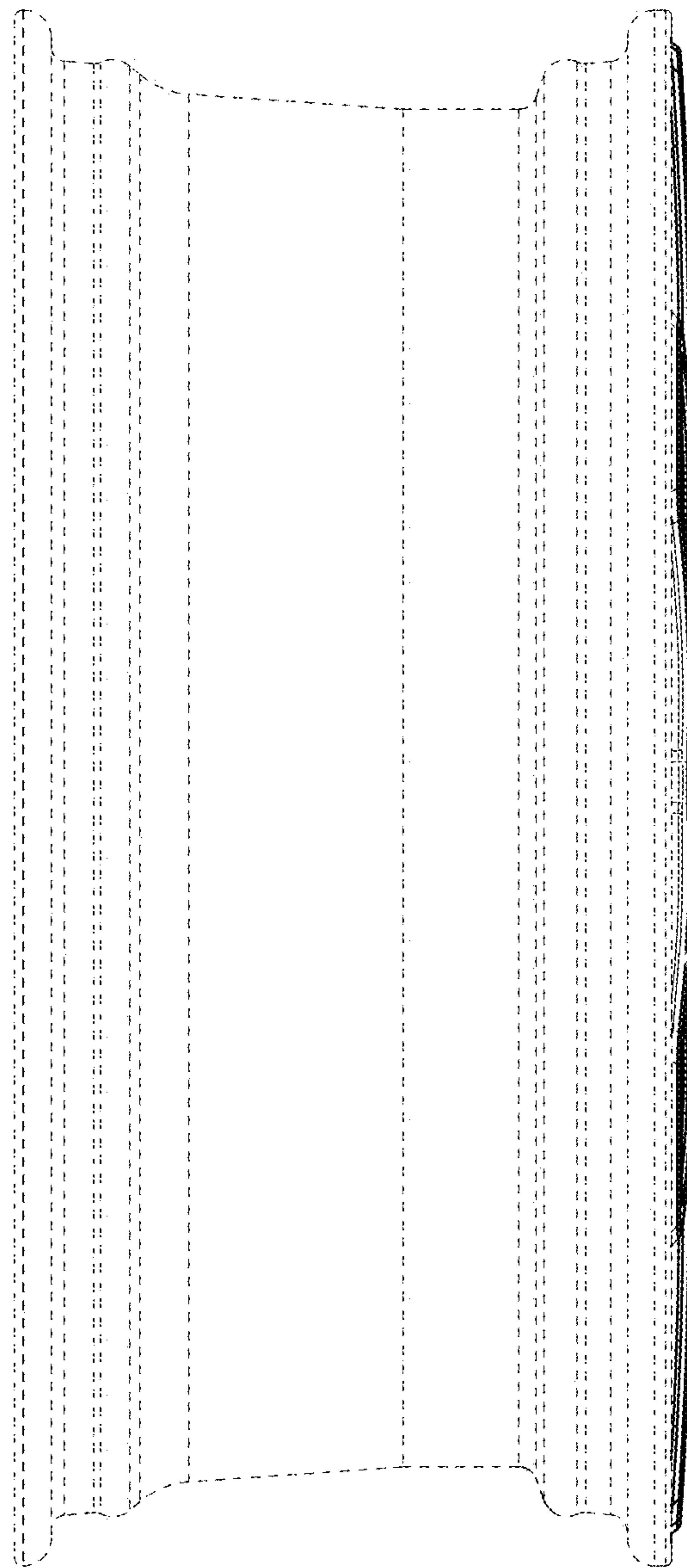


FIG. 5