



US00D987515S

(12) **United States Design Patent**
Patel et al.

(10) **Patent No.:** **US D987,515 S**

(45) **Date of Patent:** **** May 30, 2023**

(54) **AUTOMOBILE WHEEL**

(71) Applicant: **Nissan Motor Co., Ltd.**, Kanagawa (JP)

(72) Inventors: **Hiren Patel**, San Diego, CA (US);
Raymond Devers, San Diego, CA (US)

(73) Assignee: **Nissan Motor Co., Ltd.**, Yokohama (JP)

(**) Term: **15 Years**

(21) Appl. No.: **29/799,152**

(22) Filed: **Jul. 13, 2021**

(51) **LOC (14) Cl.** **12-16**

(52) **U.S. Cl.**
USPC **D12/204**

(58) **Field of Classification Search**
USPC D12/204–213, 501; D21/533, 563, 779
CPC B60B 7/00; B60B 7/01; B60B 7/02; B60B 7/04;
B60B 7/06; B60B 3/02; B60B 3/04;
B60B 3/06; B60B 3/10; B60B 1/00;
B60B 1/08; B60B 1/10; B60B 1/12
See application file for complete search history.

(56) **References Cited**

U.S. PATENT DOCUMENTS

D683,684 S	*	6/2013	Campbell	D12/209
D800,044 S	*	10/2017	Ghobrial	D12/209
D803,748 S	*	11/2017	English	D12/209
D817,246 S	*	5/2018	Andoh	D12/209
D817,846 S	*	5/2018	Stone	D12/209

D866,433 S	*	11/2019	Akasawa	D12/209
D889,359 S	*	7/2020	Gillam	D12/209
D889,360 S	*	7/2020	Ninov	D12/209
D896,147 S	*	9/2020	Hoste	D12/209
D919,537 S	*	5/2021	Kaoud	D12/209
D941,726 S	*	1/2022	Devers	D12/209
D944,711 S	*	3/2022	Carbis	D12/209
D964,244 S	*	9/2022	Schwarzer	D12/209

* cited by examiner

Primary Examiner — Cary M Robinson

Assistant Examiner — Adam C Mager

(74) *Attorney, Agent, or Firm* — Global IP Counselors, LLP

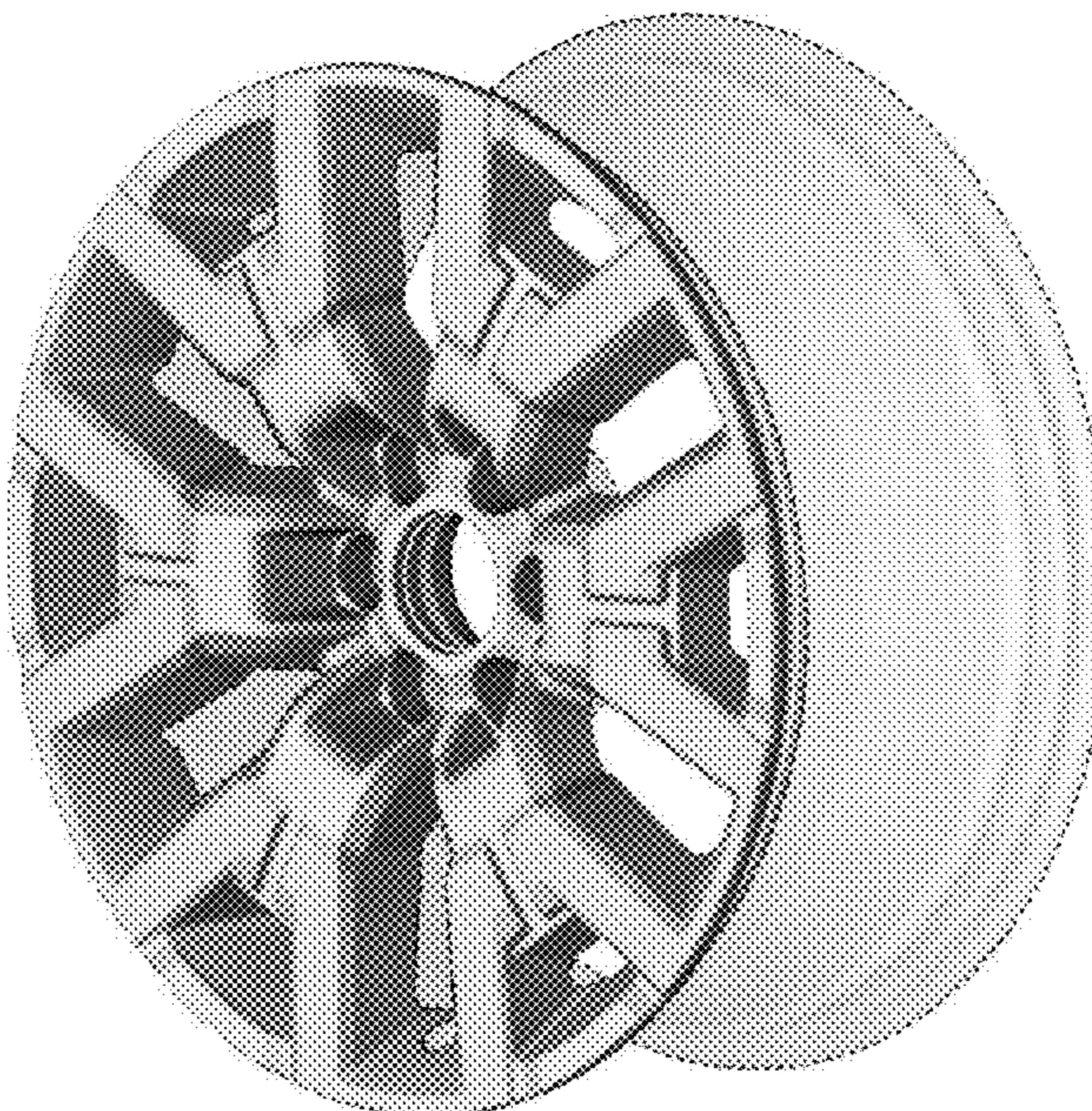
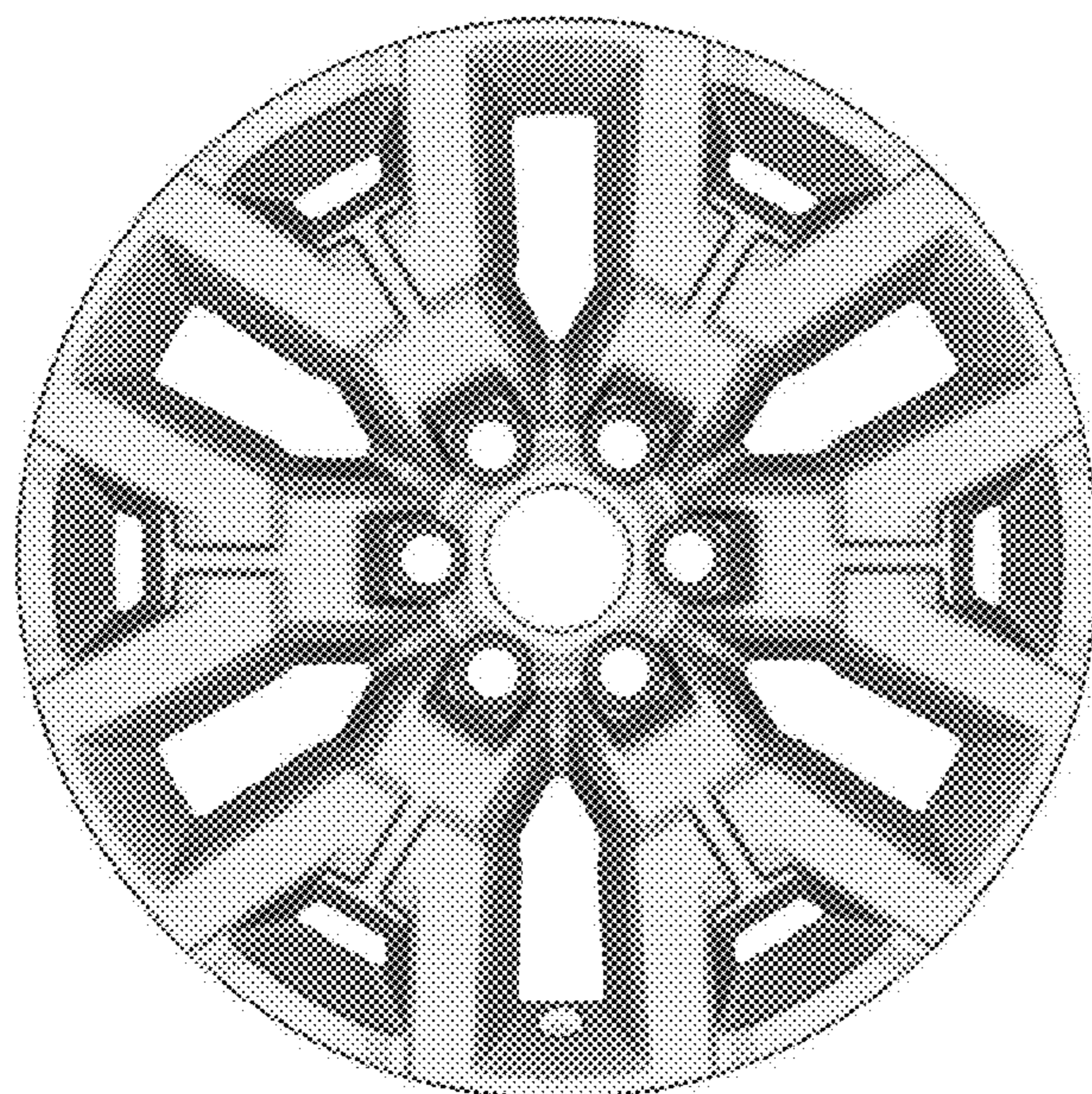
(57) **CLAIM**

The ornamental design for an automobile wheel, as shown and described.

DESCRIPTION

FIG. 1 is a front elevational view of an automobile wheel in accordance with my new design;
FIG. 2 is a top plan view thereof;
FIG. 3 is a bottom plan view thereof;
FIG. 4 is a left side elevational view thereof;
FIG. 5 is a right side elevational view thereof; and,
FIG. 6 is a first side perspective view thereof.
The broken line showing of the automobile wheel is for purpose of illustrating environmental structure and forms no part of the claimed design. The rear view of the automobile wheel forms no part of the claimed design.

1 Claim, 6 Drawing Sheets



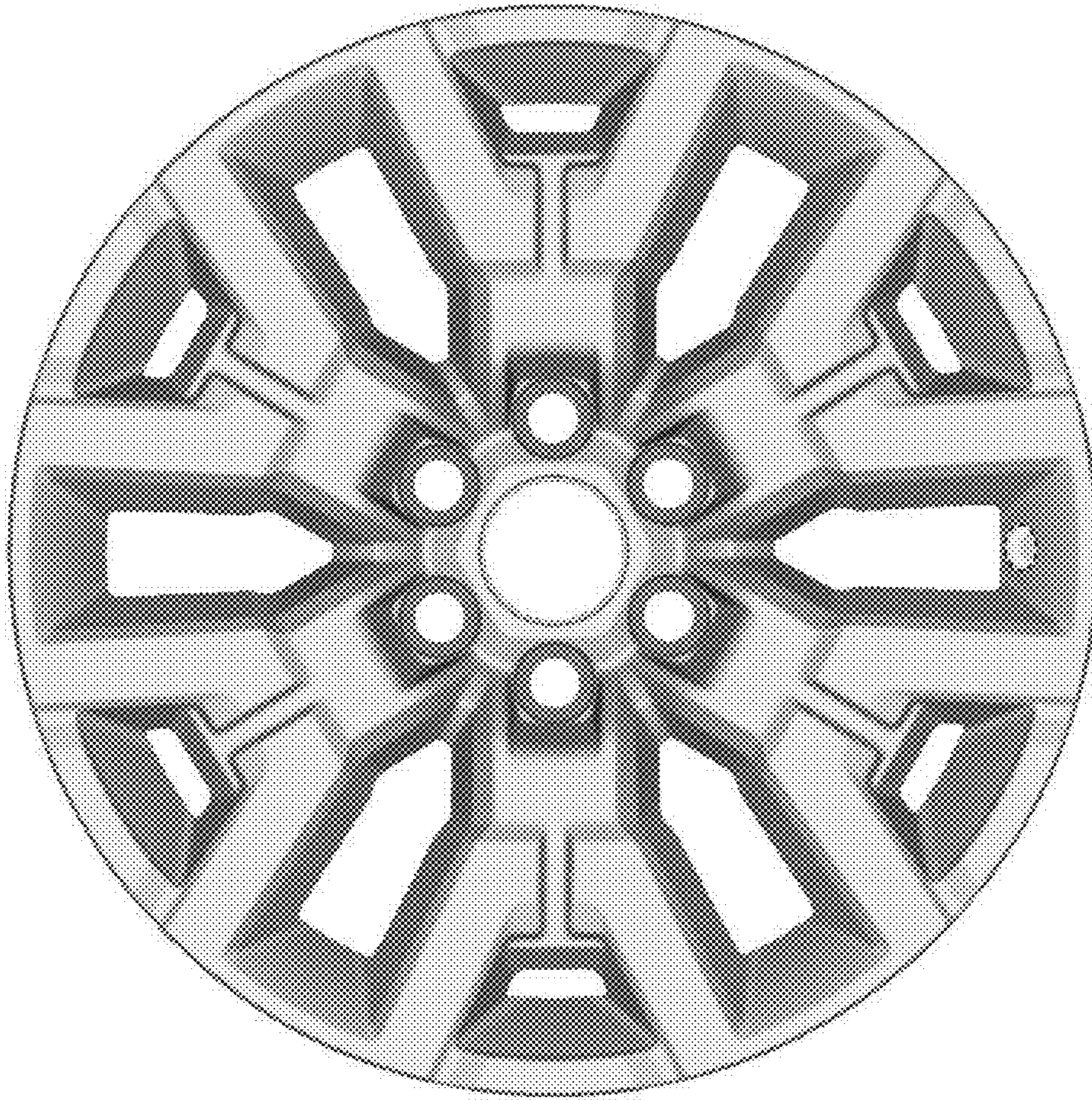


FIG. 1

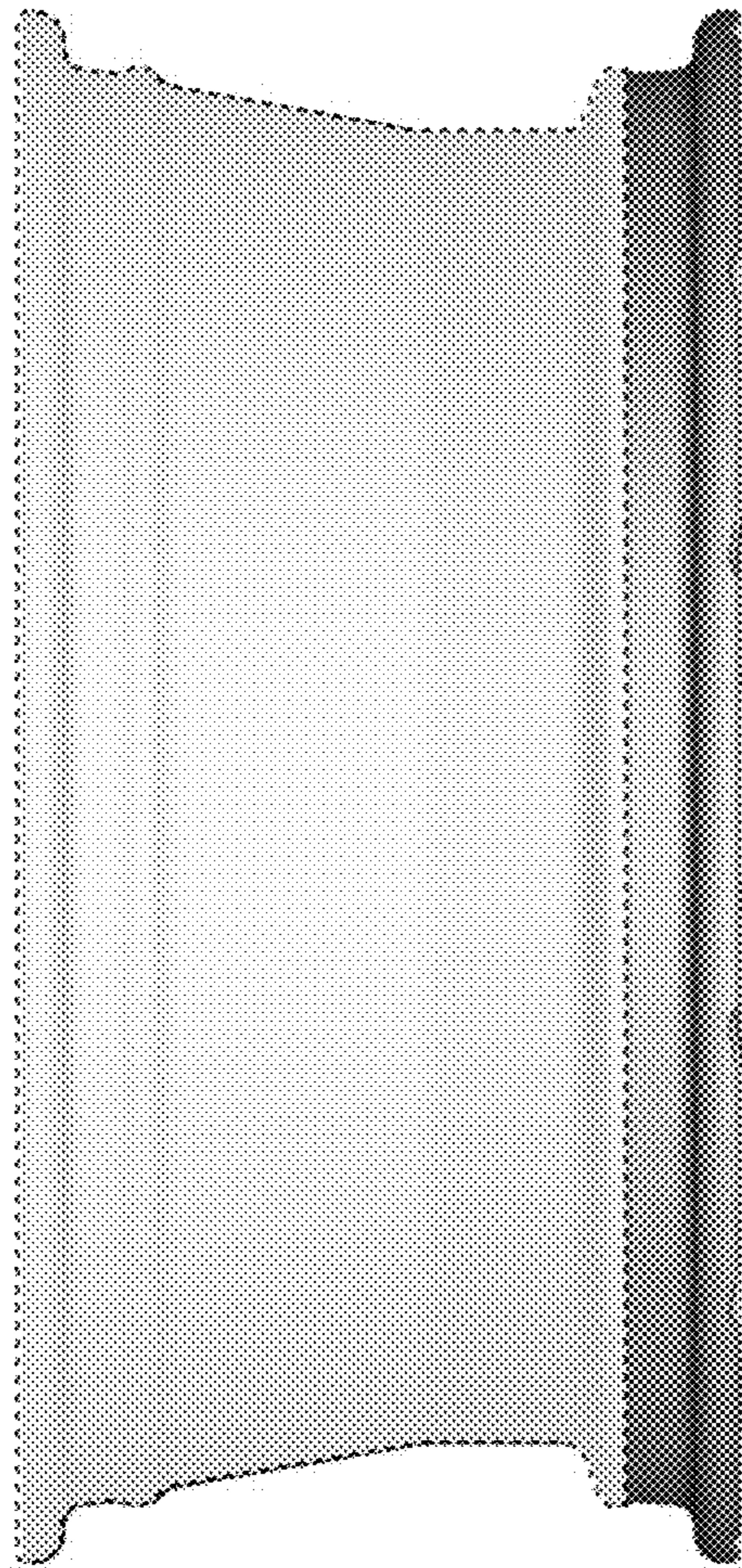


FIG. 2

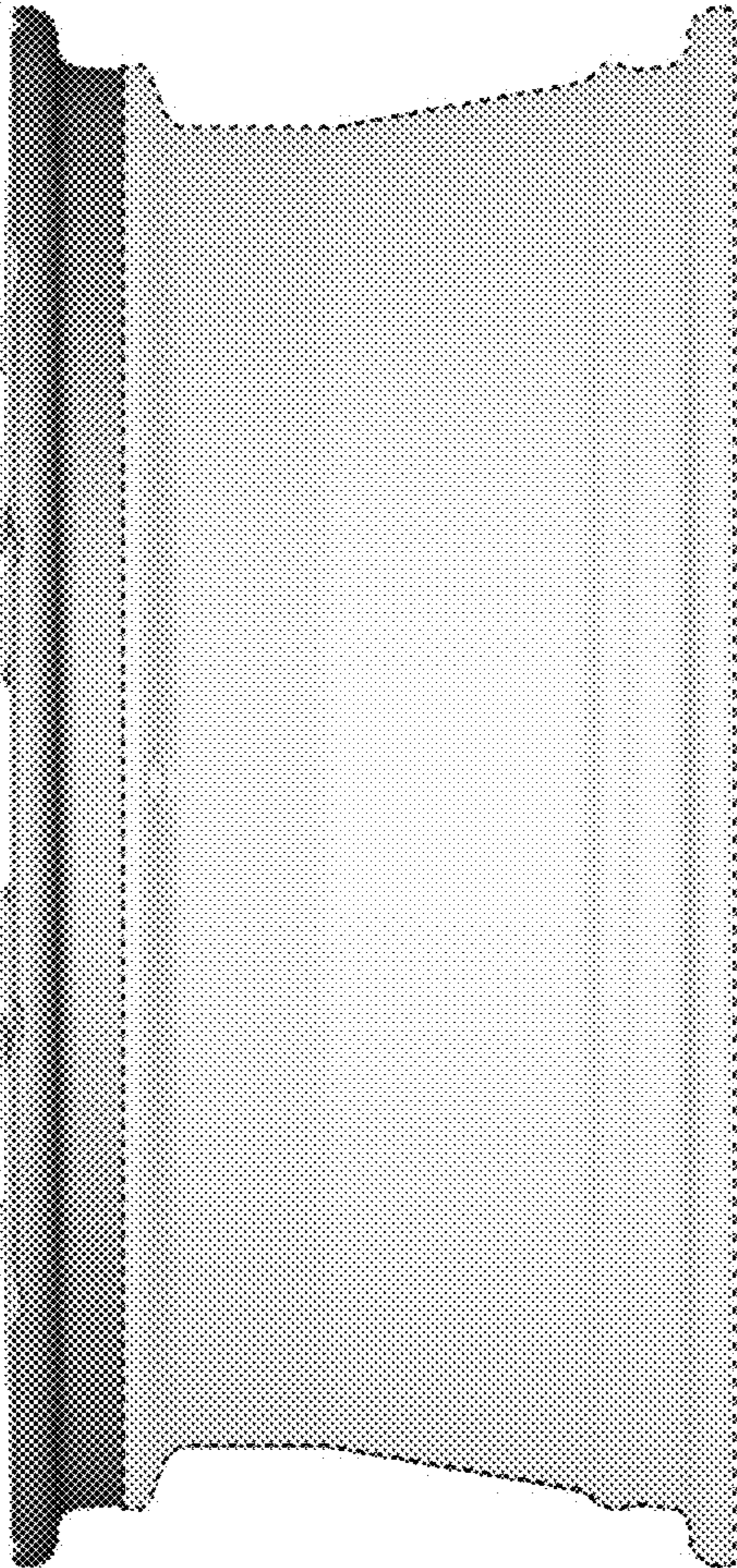


FIG. 3

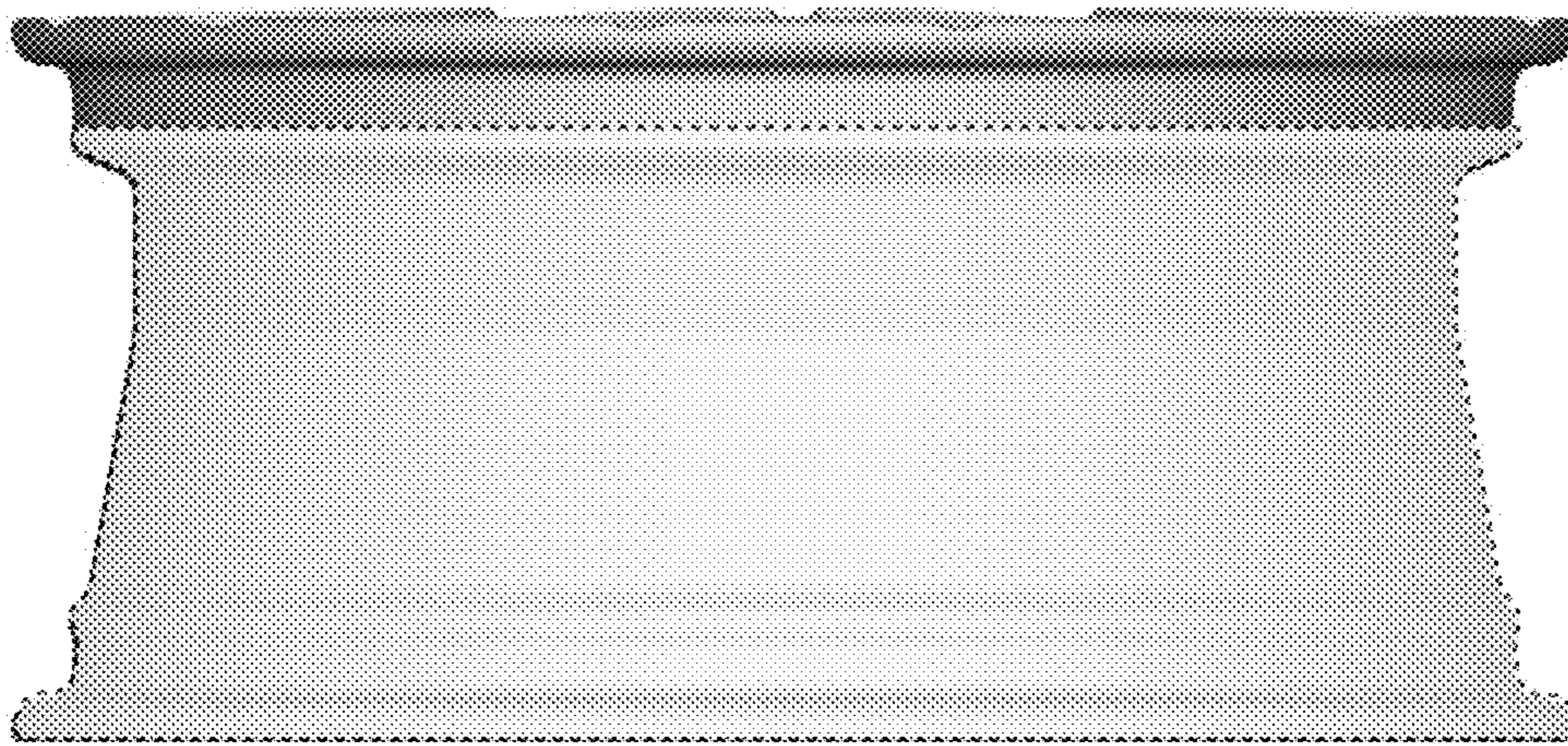


FIG. 4

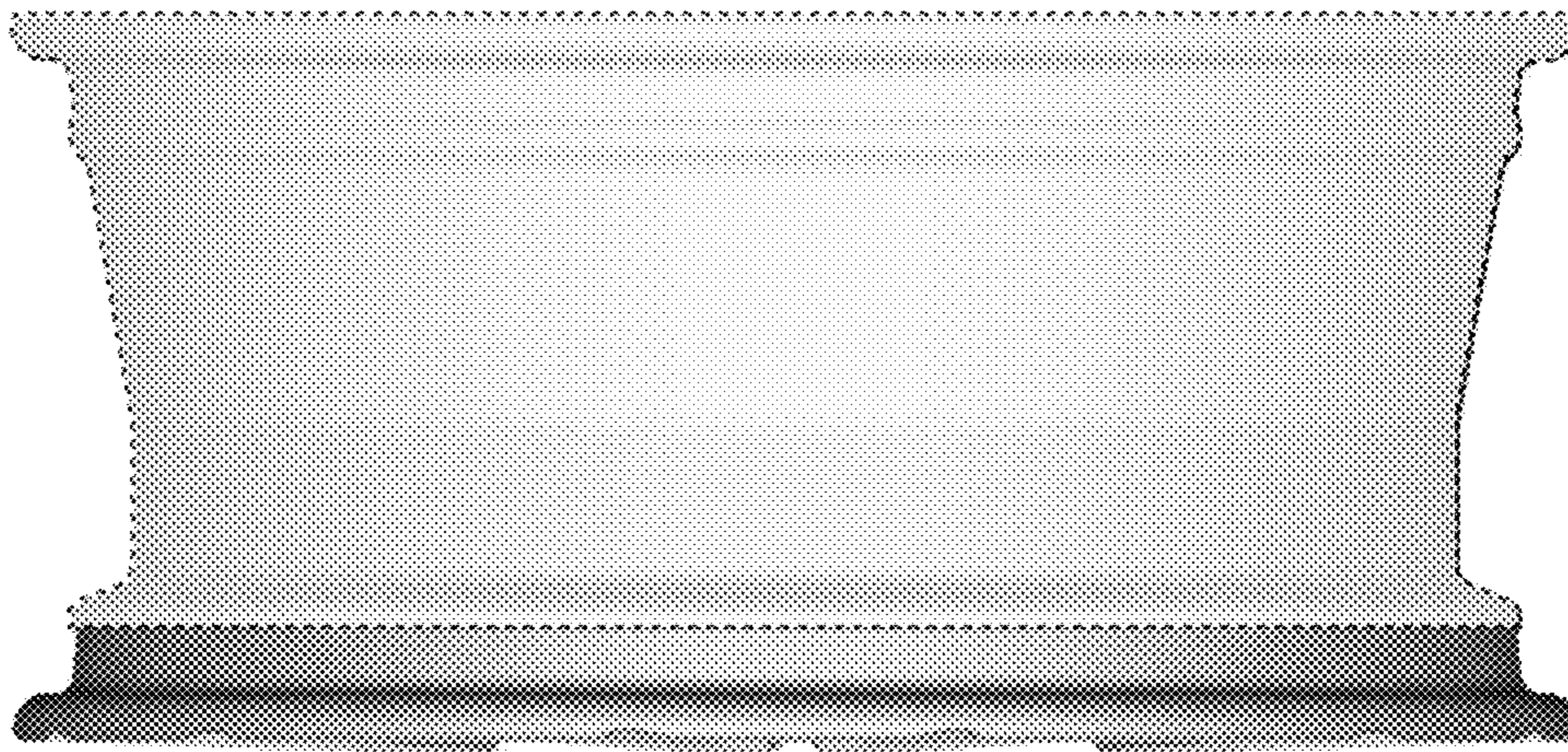


FIG. 5



FIG. 6