



US00D987514S

(12) **United States Design Patent**  
**Patel et al.**

(10) **Patent No.:** **US D987,514 S**  
(45) **Date of Patent:** **\*\* May 30, 2023**

- (54) **AUTOMOBILE WHEEL**
- (71) Applicant: **Nissan Motor Co., Ltd.**, Kanagawa (JP)
- (72) Inventors: **Hiren Patel**, San Diego, CA (US);  
**Raymond Devers**, San Diego, CA (US)
- (73) Assignee: **Nissan Motor Co., Ltd.**, Yokohama (JP)
- (\*\*) Term: **15 Years**
- (21) Appl. No.: **29/799,150**
- (22) Filed: **Jul. 13, 2021**
- (51) **LOC (14) Cl.** ..... **12-16**
- (52) **U.S. Cl.**  
USPC ..... **D12/204**
- (58) **Field of Classification Search**  
USPC ..... D12/204–213, 501; D21/533, 563, 779  
CPC .... B60B 7/00; B60B 7/01; B60B 7/02; B60B 7/04; B60B 7/06; B60B 3/02; B60B 3/04; B60B 3/06; B60B 3/10; B60B 1/00; B60B 1/08; B60B 1/10; B60B 1/12  
See application file for complete search history.

D971,110 S	*	11/2022	Langhals	.....	D12/209
D971,112 S	*	11/2022	Langhals	.....	D12/209
D974,264 S	*	1/2023	Hernandez	.....	D12/209
D977,396 S	*	2/2023	Echazabal	.....	D12/209

**OTHER PUBLICATIONS**

2023 Nissan Frontier, Published date unavailable [online], [retrieved on Feb. 21, 2023]. Retrieved from the Internet: <https://www.guideautoweb.com/en/makes/nissan/frontier/2023/gallery/> (Year: 2023).\*

\* cited by examiner

*Primary Examiner* — Cary M Robinson

*Assistant Examiner* — Adam C Mager

(74) *Attorney, Agent, or Firm* — Global IP Counselors, LLP

(57) **CLAIM**

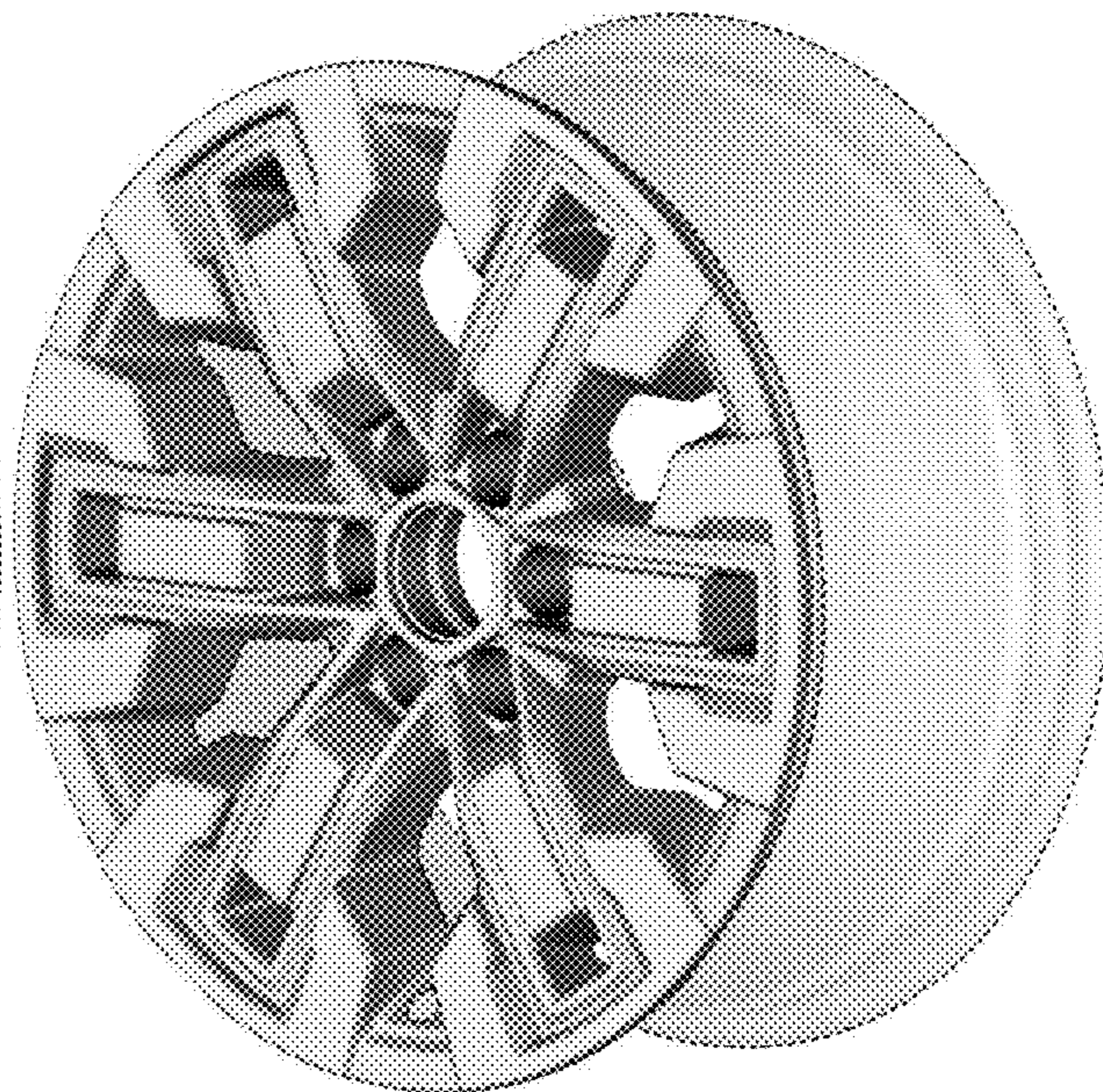
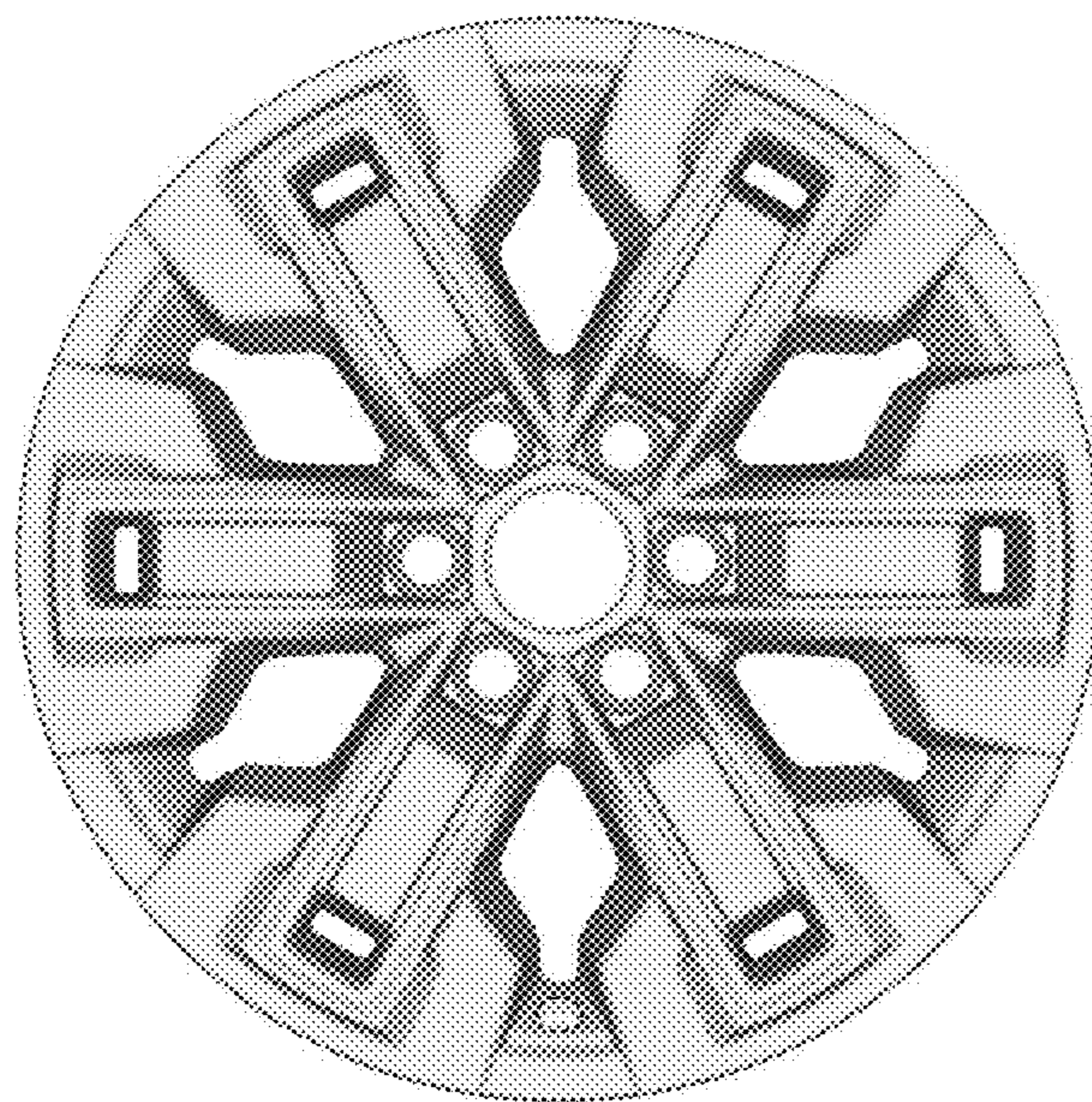
The ornamental design for an automobile wheel, as shown and described.

**DESCRIPTION**

FIG. 1 is a front elevational view of an automobile wheel in accordance with my new design;  
FIG. 2 is a top plan view thereof;  
FIG. 3 is a bottom plan view thereof;  
FIG. 4 is a left side elevational view thereof;  
FIG. 5 is a right side elevational view thereof; and,  
FIG. 6 is a first side perspective view thereof.  
The broken line showing of the automobile wheel is for purpose of illustrating environmental structure and forms no part of the claimed design. The rear view of the automobile wheel forms no part of the claimed design.

**1 Claim, 6 Drawing Sheets**

- (56) **References Cited**  
U.S. PATENT DOCUMENTS
- |            |   |         |           |       |         |
|------------|---|---------|-----------|-------|---------|
| D866,433 S | * | 11/2019 | Akasawa   | ..... | D12/209 |
| D876,309 S | * | 2/2020  | Echazabal | ..... | D12/209 |
| D888,641 S | * | 6/2020  | Scott     | ..... | D12/209 |
| D889,359 S | * | 7/2020  | Gillam    | ..... | D12/209 |
| D889,360 S | * | 7/2020  | Ninov     | ..... | D12/209 |
| D941,726 S | * | 1/2022  | Devers    | ..... | D12/209 |
| D944,707 S | * | 3/2022  | Echazabal | ..... | D12/209 |
| D970,414 S | * | 11/2022 | Dunford   | ..... | D12/209 |
| D970,417 S | * | 11/2022 | Zhang     | ..... | D12/209 |





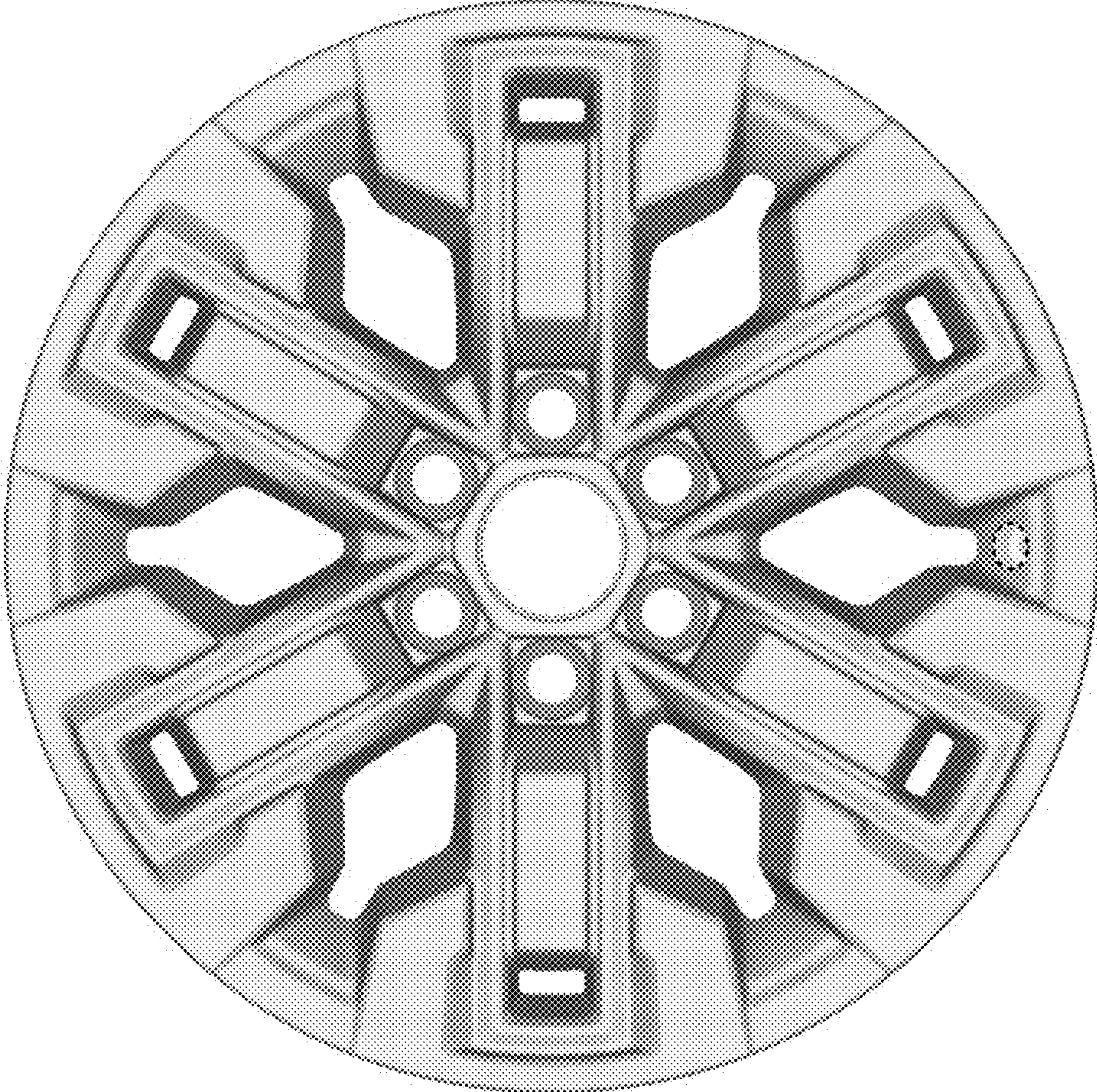
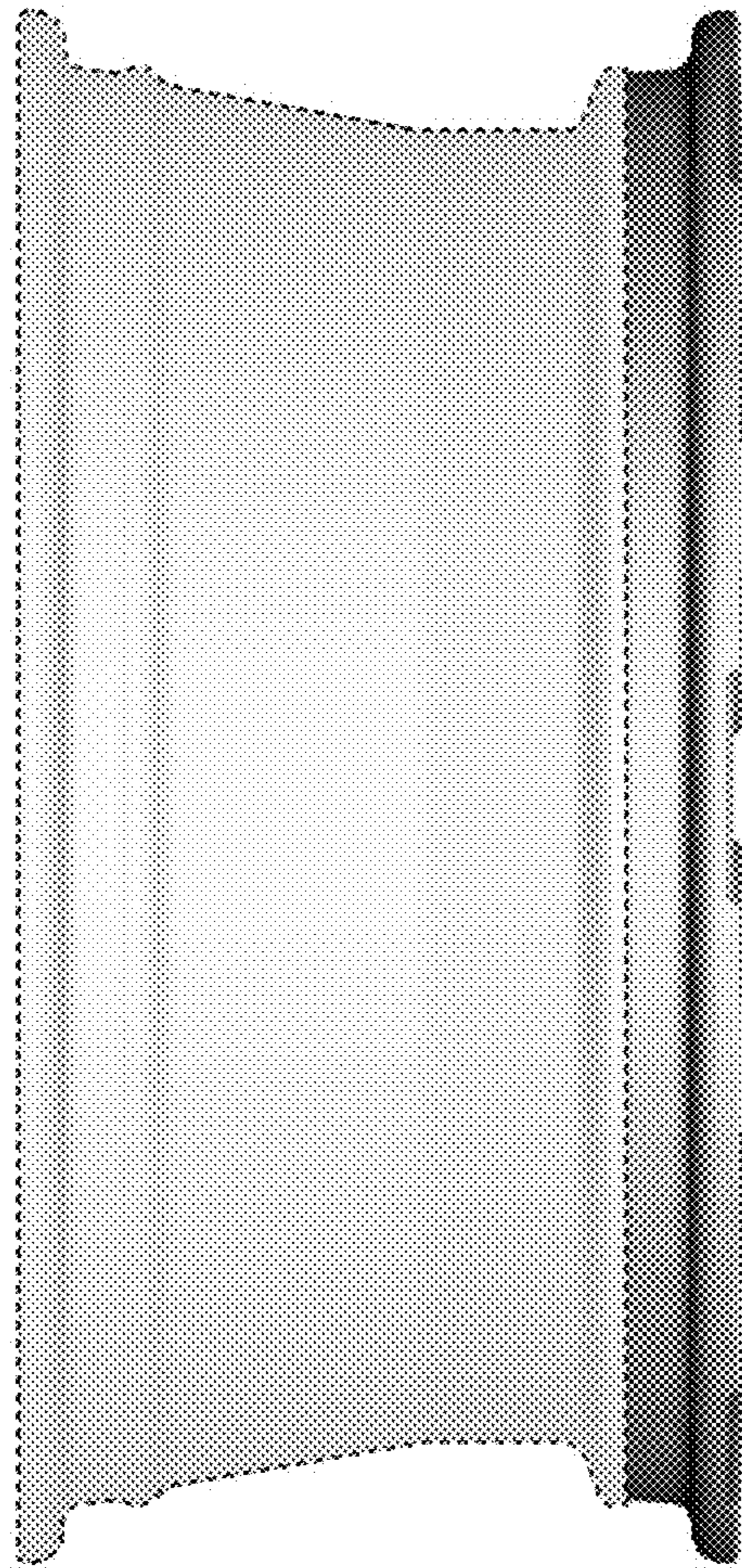


FIG. 1





**FIG. 2**

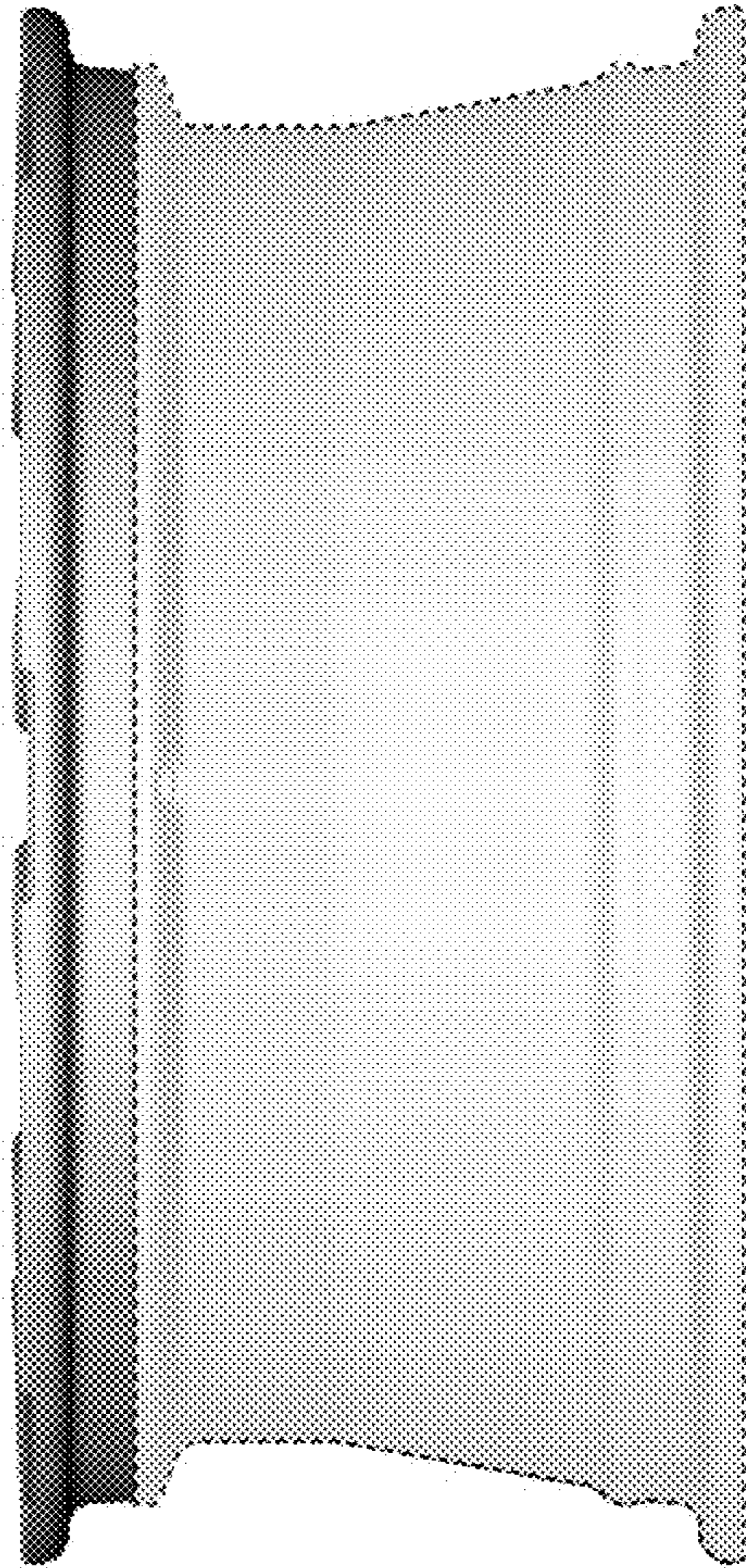


FIG. 3

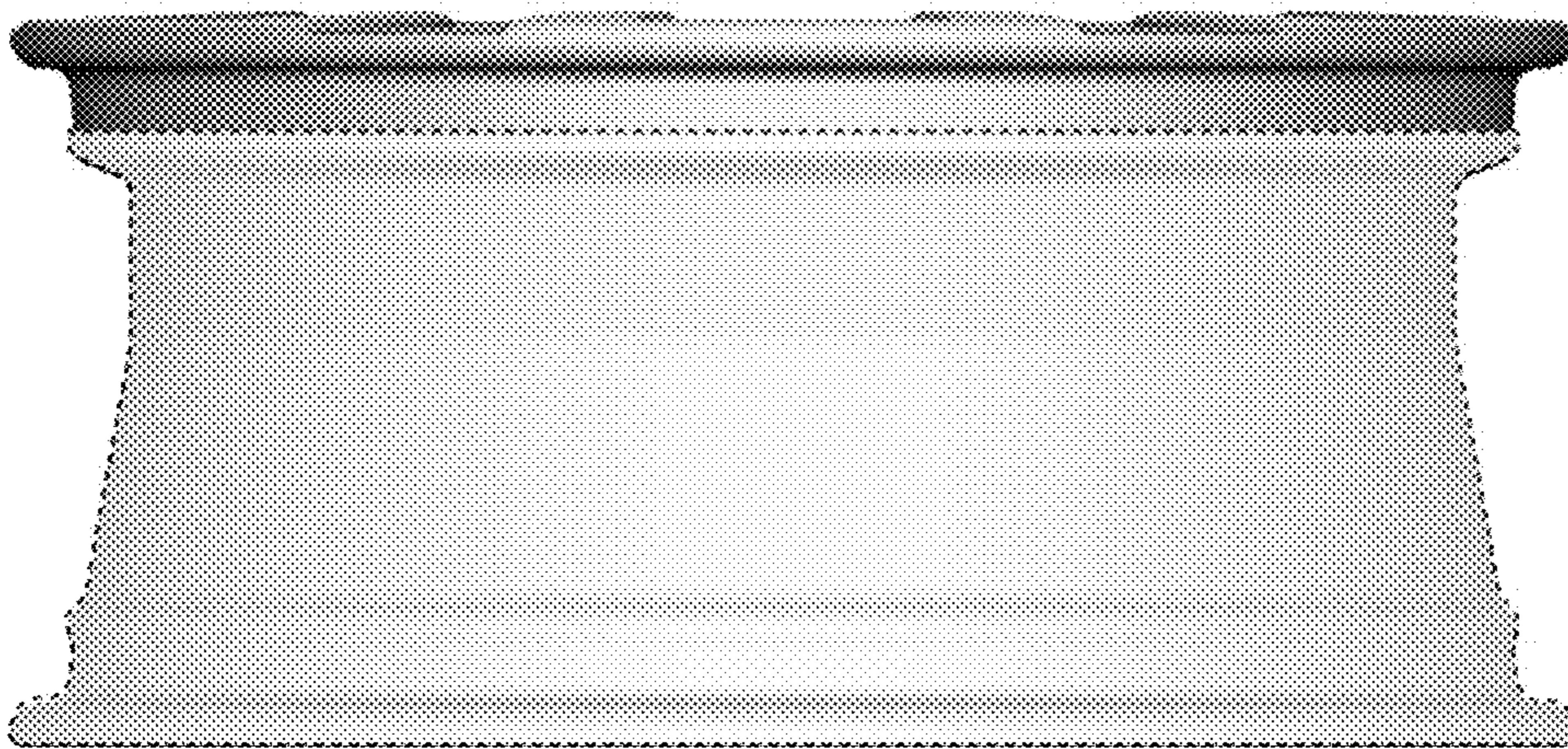


FIG. 4



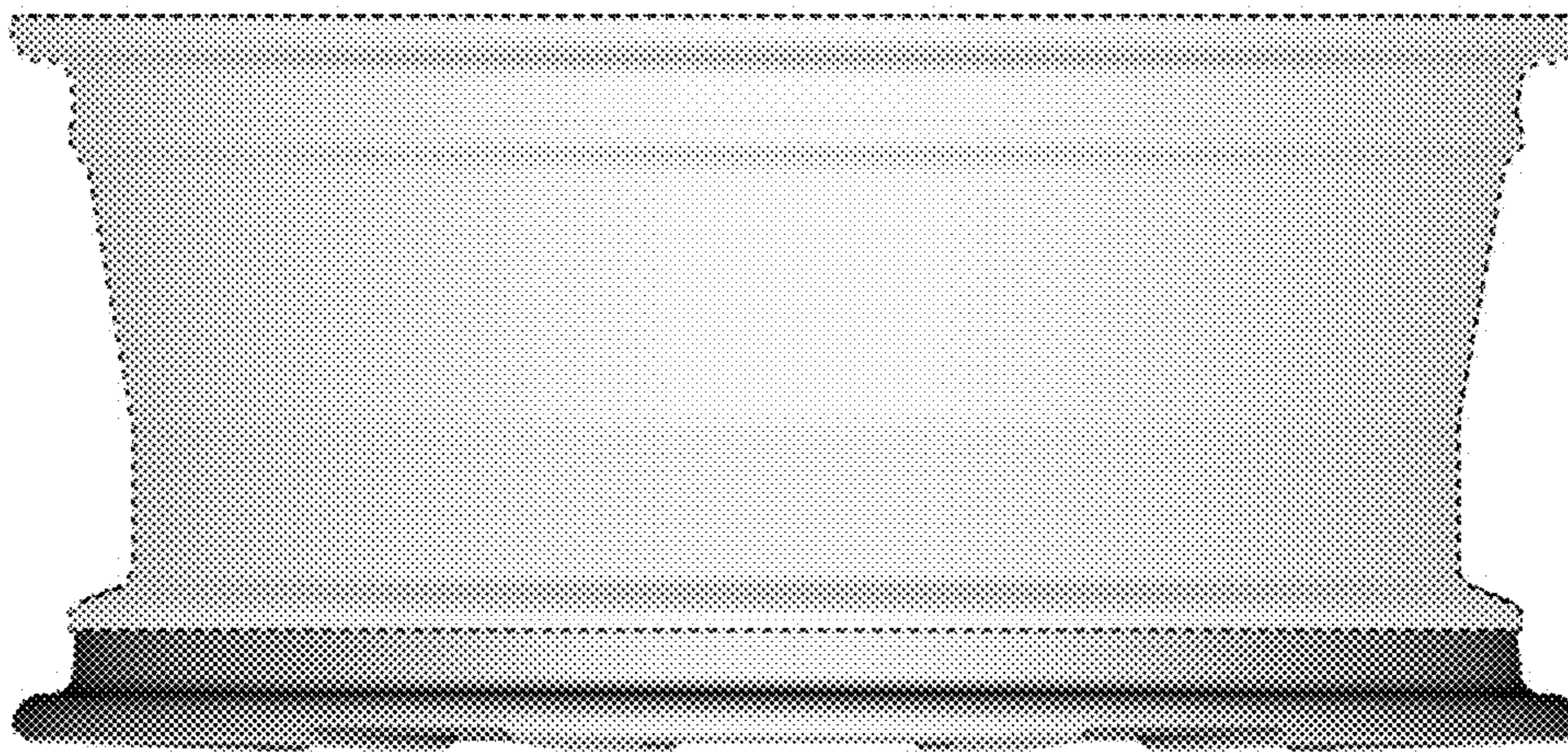


FIG. 5





FIG. 6