



US00D987511S

(12) **United States Design Patent**  
**McGinnis**

(10) **Patent No.:** **US D987,511 S**

(45) **Date of Patent:** **\*\* May 30, 2023**

(54) **SLIDE TRACK OVAL RUNNING BOARD**

D864,070 S \* 10/2019 Keith ..... D12/203  
D867,252 S \* 11/2019 Lanini ..... D12/203  
D949,078 S \* 4/2022 Ajam ..... D12/203

(71) Applicant: **CYC ENGINEERING, INC.**, Union City, CA (US)

(72) Inventor: **Michael J. McGinnis**, Glendale, AZ (US)

(73) Assignee: **CYC Engineering, Inc.**, Union City, CA (US)

(\*\*) Term: **15 Years**

(21) Appl. No.: **29/750,653**

(22) Filed: **Sep. 15, 2020**

(51) **LOC (14) Cl.** ..... **12-16**

(52) **U.S. Cl.**  
USPC ..... **D12/203**

(58) **Field of Classification Search**  
USPC ..... D12/89, 98, 162, 190, 196, 203, 314  
CPC ..... B60R 3/00; B60R 3/002; B60R 3/005;  
B60R 3/007; B60R 3/02

See application file for complete search history.

(56) **References Cited**

**U.S. PATENT DOCUMENTS**

D488,759 S \* 4/2004 Hattori ..... D12/203  
D497,338 S \* 10/2004 Metros ..... D12/203  
D513,725 S \* 1/2006 Metros ..... D12/203  
D514,492 S \* 2/2006 Metros ..... D12/203  
D546,259 S \* 7/2007 Metros ..... D12/203  
D567,729 S \* 4/2008 Crandall ..... D12/203  
D632,627 S \* 2/2011 Huang-Tsai ..... D12/203  
D738,803 S \* 9/2015 Zhu ..... D12/203  
D794,525 S \* 8/2017 Chen ..... D12/203  
D817,838 S \* 5/2018 Dionisopoulos ..... D12/203

**OTHER PUBLICATIONS**

Raptor Series Running Boards, Published date unavailable [online], [retrieved on Dec. 21, 2022]. Retrieved from the Internet: <https://www.raptorseries.com/p-46-5in-oval-style-slide-track-running-boards-black-textured-aluminum.aspx> (Year: 2022).\*

\* cited by examiner

*Primary Examiner* — Cary M Robinson

*Assistant Examiner* — Adam C Mager

(74) *Attorney, Agent, or Firm* — Morgan Law Offices, PLC

(57) **CLAIM**

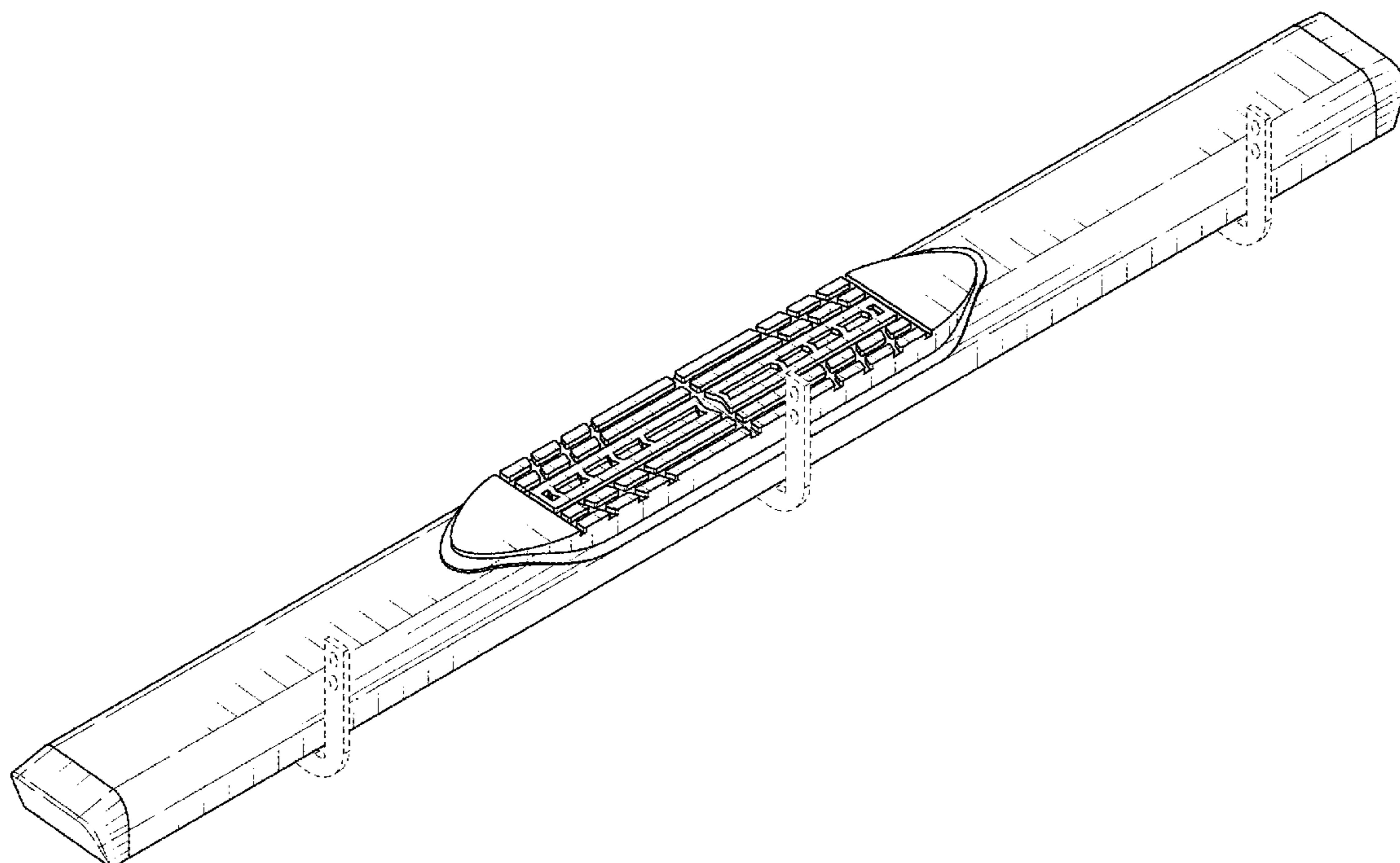
The ornamental design for the slide track oval running board, as shown.

**DESCRIPTION**

FIG. 1 is a perspective view of a slide track oval running board showing my new design, in use;  
FIG. 2 is a front view thereof;  
FIG. 3 is a back view thereof;  
FIG. 4 is a left side view thereof;  
FIG. 5 is a right side view thereof;  
FIG. 6 is a top view thereof; and,  
FIG. 7 is a bottom view thereof.

The broken lines shown in the drawings are for the purpose of illustrating portions of the slide track oval running board that form no part of the claimed design.

**1 Claim, 3 Drawing Sheets**



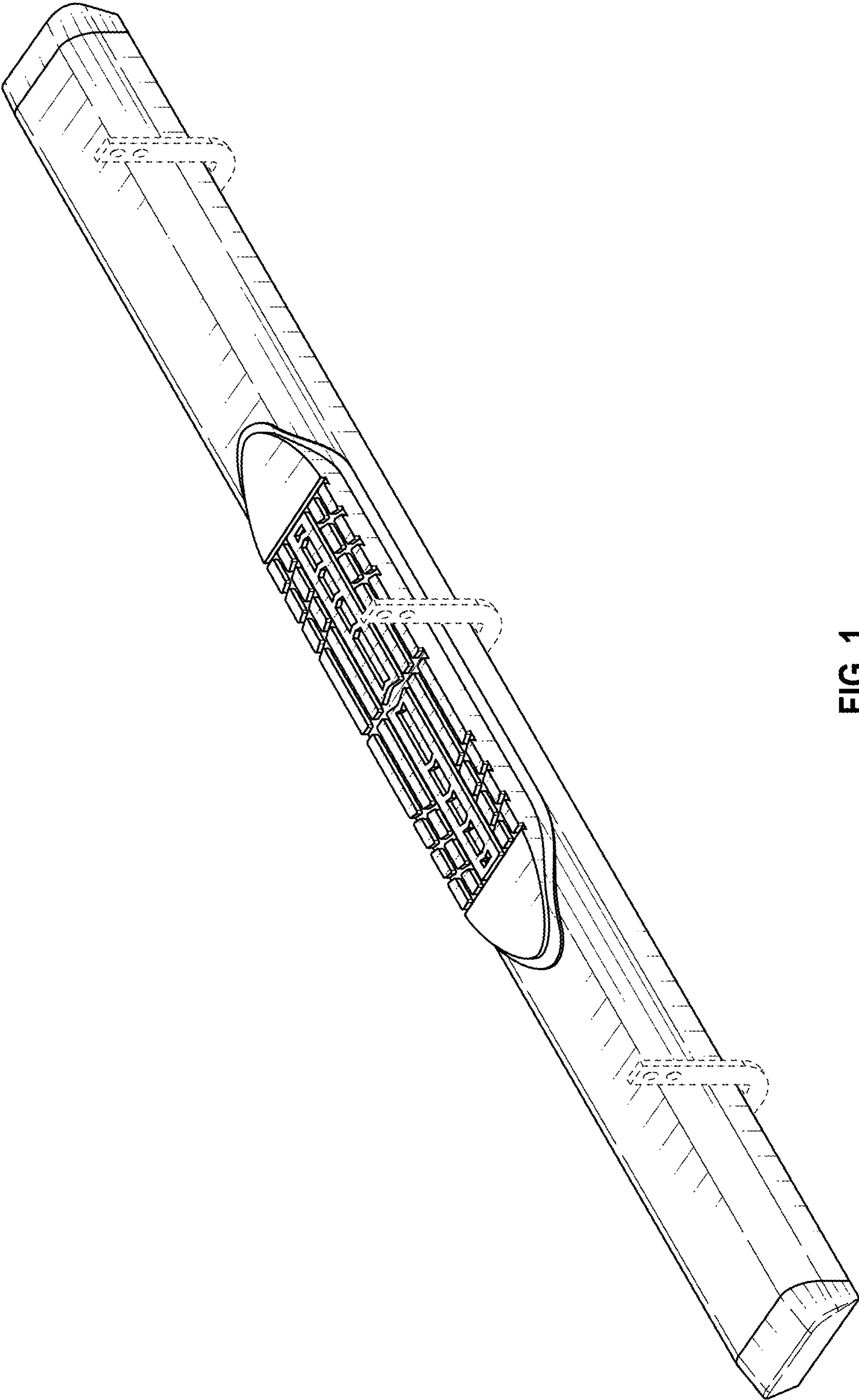


FIG. 1

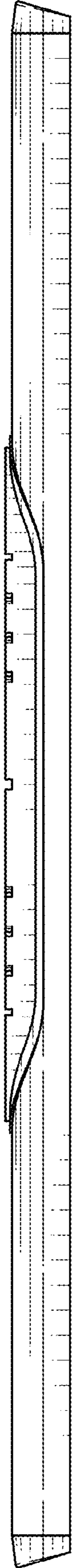


FIG. 2

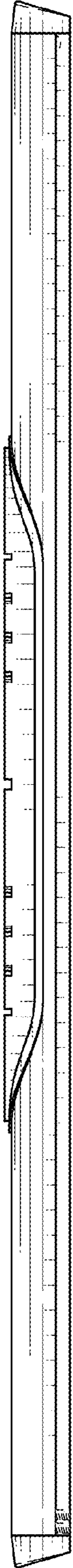


FIG. 3

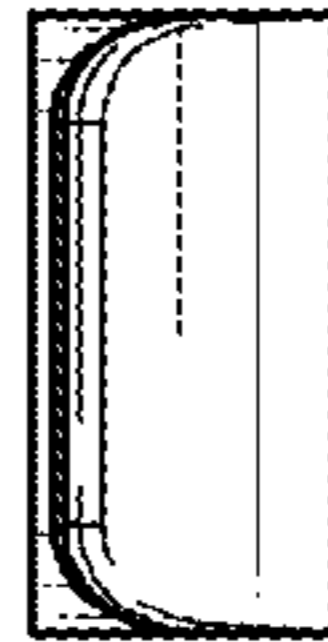


FIG. 4

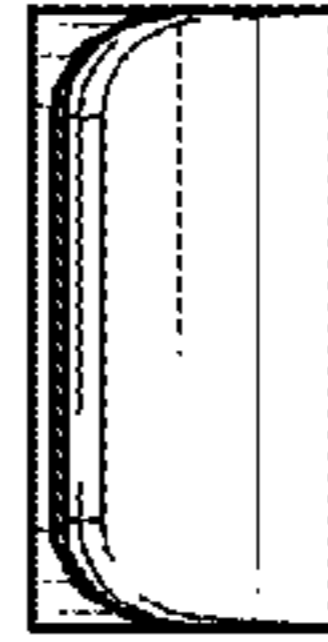


FIG. 5

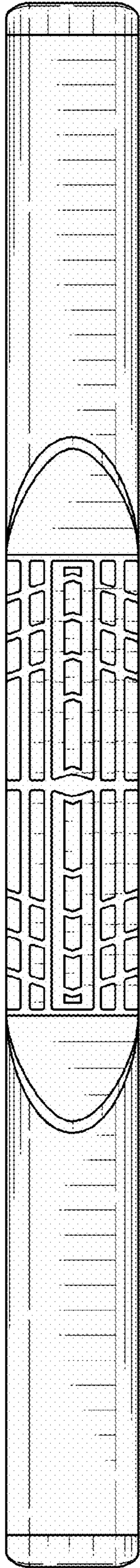


FIG. 6

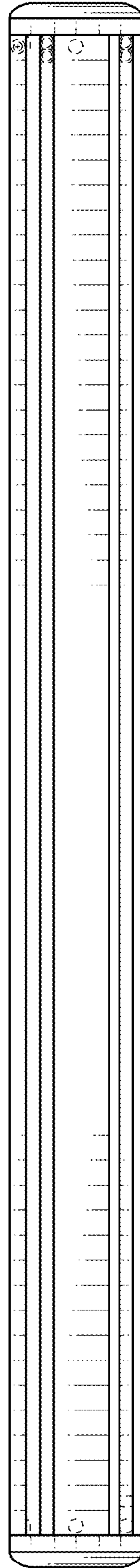


FIG. 7