



US00D987508S

(12) **United States Design Patent**
Hayashi

(10) **Patent No.:** **US D987,508 S**
(45) **Date of Patent:** **** May 30, 2023**

- (54) **INSTRUMENT PANEL FOR AN AUTOMOBILE**
- (71) Applicant: **TOYOTA JIDOSHA KABUSHIKI KAISHA**, Toyota (JP)
- (72) Inventor: **Yoshiko Hayashi**, Okazaki (JP)
- (73) Assignee: **TOYOTA JIDOSHA KABUSHIKI KAISHA**, Toyota (JP)

D929,283 S *	8/2021	Komatsu	D12/192
D936,547 S *	11/2021	Schlapp	D12/192
D939,414 S *	12/2021	Aizawa	D12/192
D940,048 S *	1/2022	Kang	B60N 3/10 D12/195
D942,342 S *	2/2022	Schneider	D12/192
D947,090 S *	3/2022	Chergosky	D12/192
D948,399 S *	4/2022	Noshiro	D12/192
D952,531 S *	5/2022	Moon	D12/192
D963,541 S *	9/2022	Matsuo	D12/192

- (**) Term: **15 Years**
- (21) Appl. No.: **29/804,740**
- (22) Filed: **Aug. 23, 2021**

(30) **Foreign Application Priority Data**

Feb. 25, 2021 (JP) 2021-003857 D

(51) **LOC (14) Cl.** **12-16**

(52) **U.S. Cl.**
USPC **D12/192**

(58) **Field of Classification Search**
USPC D12/192, 195, 415, 114, 345
CPC B60N 3/10; B60H 1/34; B60H 1/3407;
B60H 1/3414; B60H 1/3421; B60H
1/3428; B60H 1/3435; B60H 1/3442;
B60H 1/345; B60H 1/3457; B60R 11/02;
B60R 11/0235

See application file for complete search history.

(56) **References Cited**

U.S. PATENT DOCUMENTS

D847,057 S *	4/2019	Kono	D12/192
D853,919 S *	7/2019	Hazumi	D12/415
D860,892 S *	9/2019	Ohmori	D12/192
D877,012 S *	3/2020	Ali	D12/192
D881,095 S *	4/2020	Finney	D12/192
D908,075 S *	1/2021	Park	D12/415

OTHER PUBLICATIONS

Netcarshow.com, Lexus ES (2019) <<https://www.netcarshow.com/lexus/2019-es/>>, available as early as Jul. 14, 2020.

(Continued)

Primary Examiner — Holly E Thurman
Assistant Examiner — Jerry Shiuan-Hua Hsu
(74) *Attorney, Agent, or Firm* — Saidman DesignLaw Group, LLC

(57) **CLAIM**

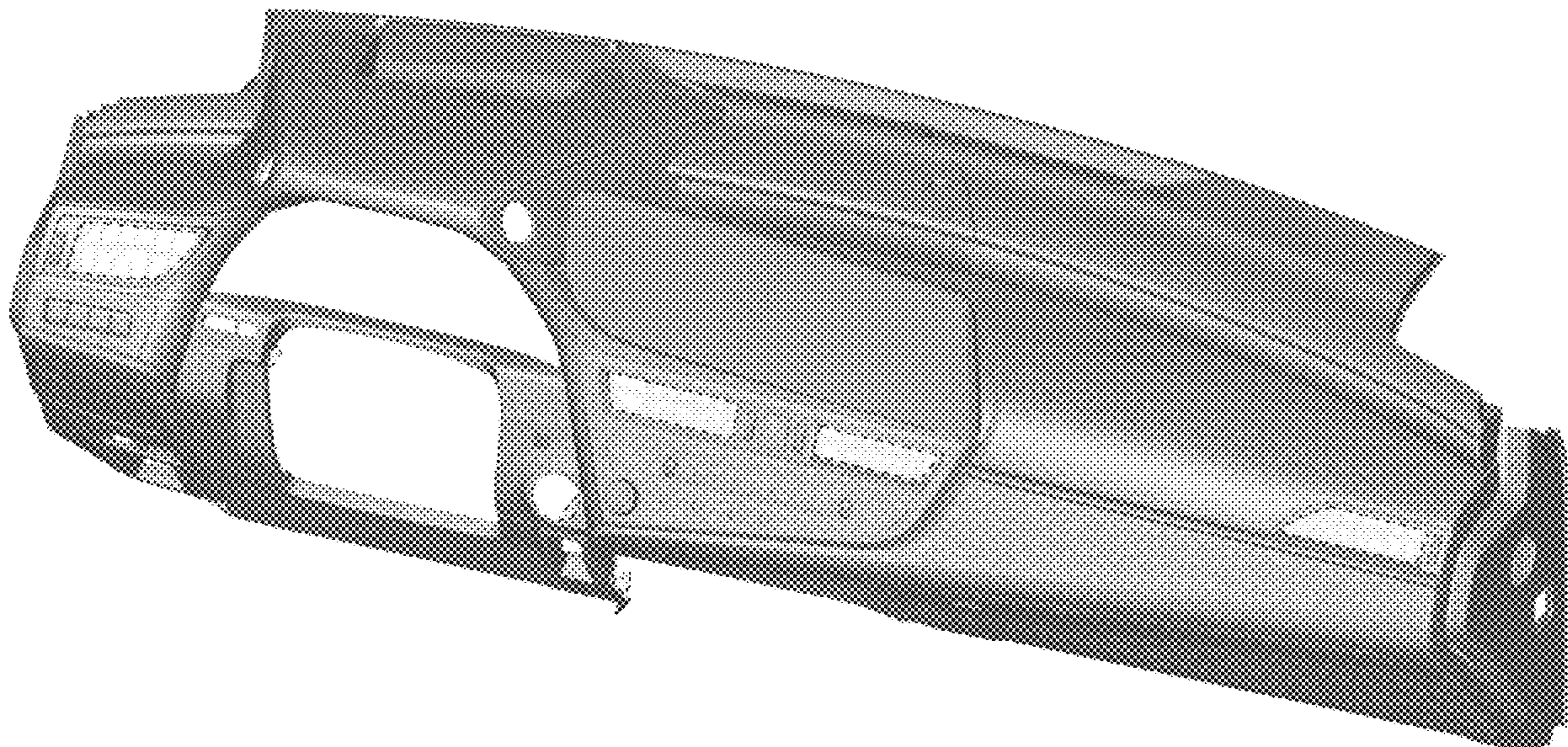
The ornamental design for an instrument panel for an automobile, as shown and described.

DESCRIPTION

FIG. 1 is a perspective view of an instrument panel for an automobile showing my new design;
FIG. 2 is a front view thereof;
FIG. 3 is a rear view thereof;
FIG. 4 is a right side view thereof;
FIG. 5 is a left side view thereof;
FIG. 6 is a top view thereof; and,
FIG. 7 is a bottom view thereof.

The broken lines and the deemphasized portions within illustrate portions of the instrument panel for an automobile which form no part of the claimed design.

1 Claim, 7 Drawing Sheets



(56)

References Cited

OTHER PUBLICATIONS

Netcarshow.com, Lexus LS (2021) <<https://www.netcarshow.com/lexus/2021-ls/>>, available as early as Jul. 14, 2020.

Netcarshow.com, Audi A6(2019) <<https://www.netcarshow.com/audi/2019-a6/>>, available as early as Jul. 14, 2020.

Netcarshow.com, Mazda 6 (2018) <<https://www.netcarshow.com/mazda/2018-6/>>, available as early as Jul. 14, 2020.

* cited by examiner

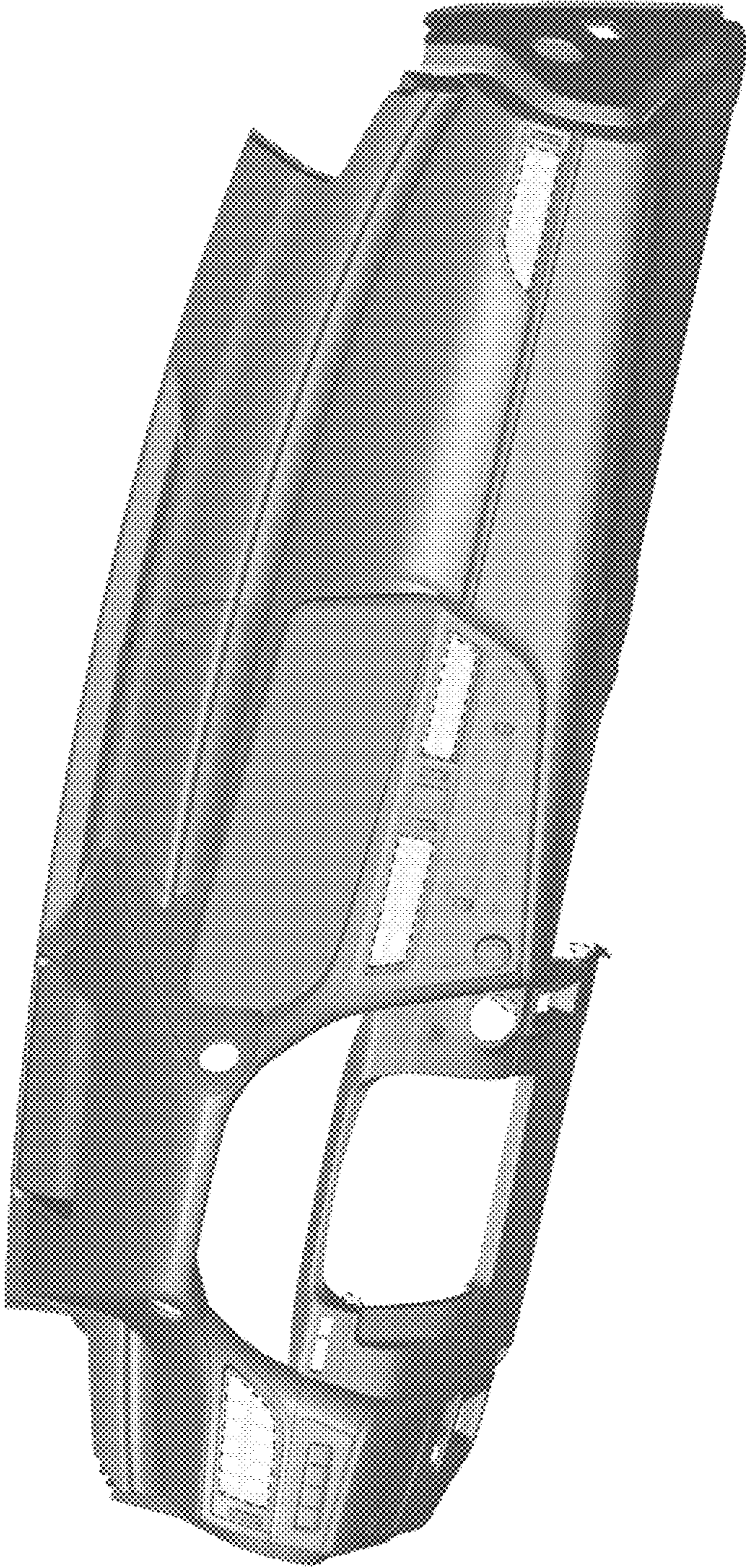


FIG. 1

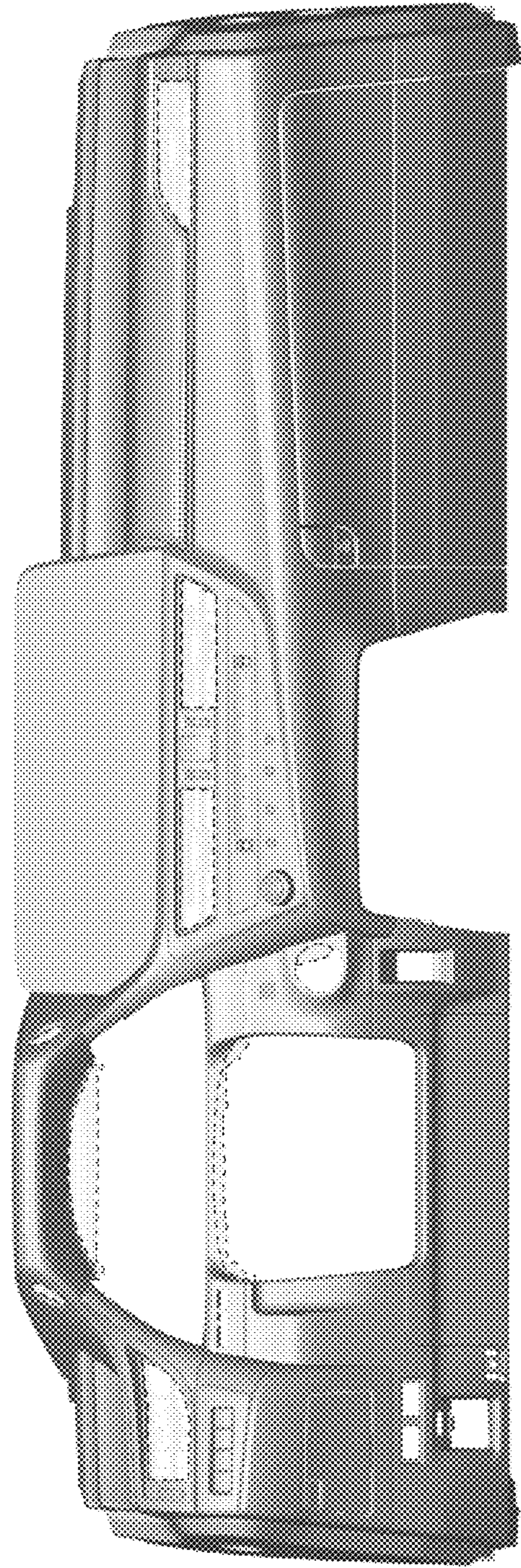


FIG. 2

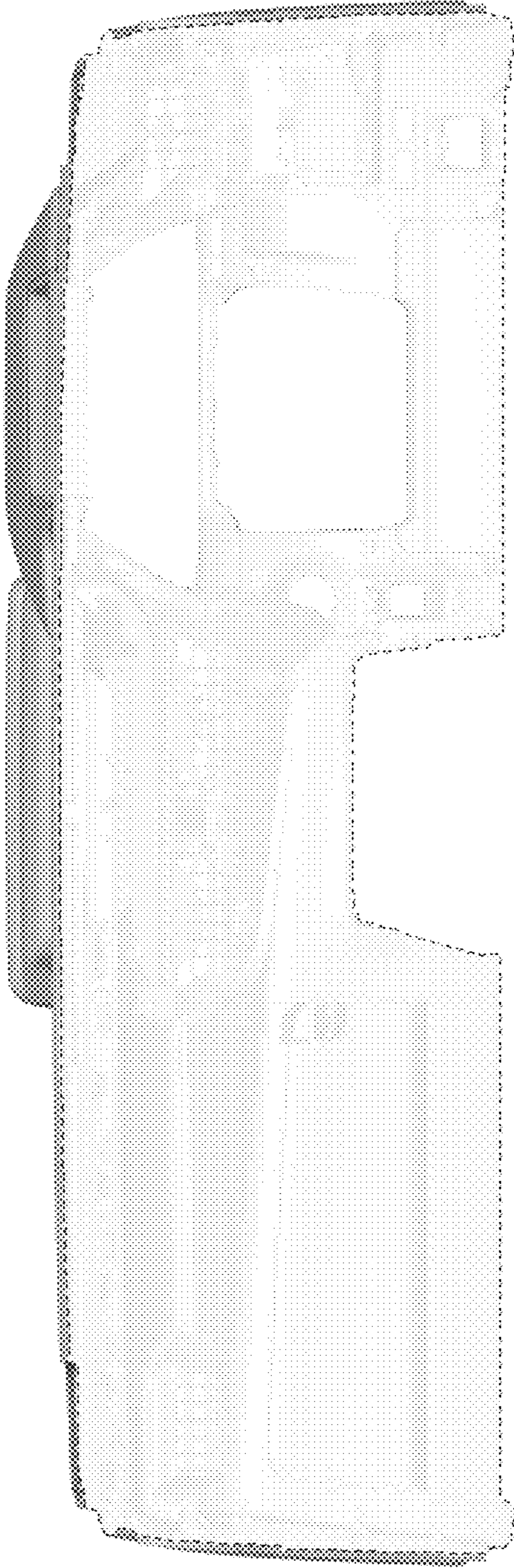


FIG. 3

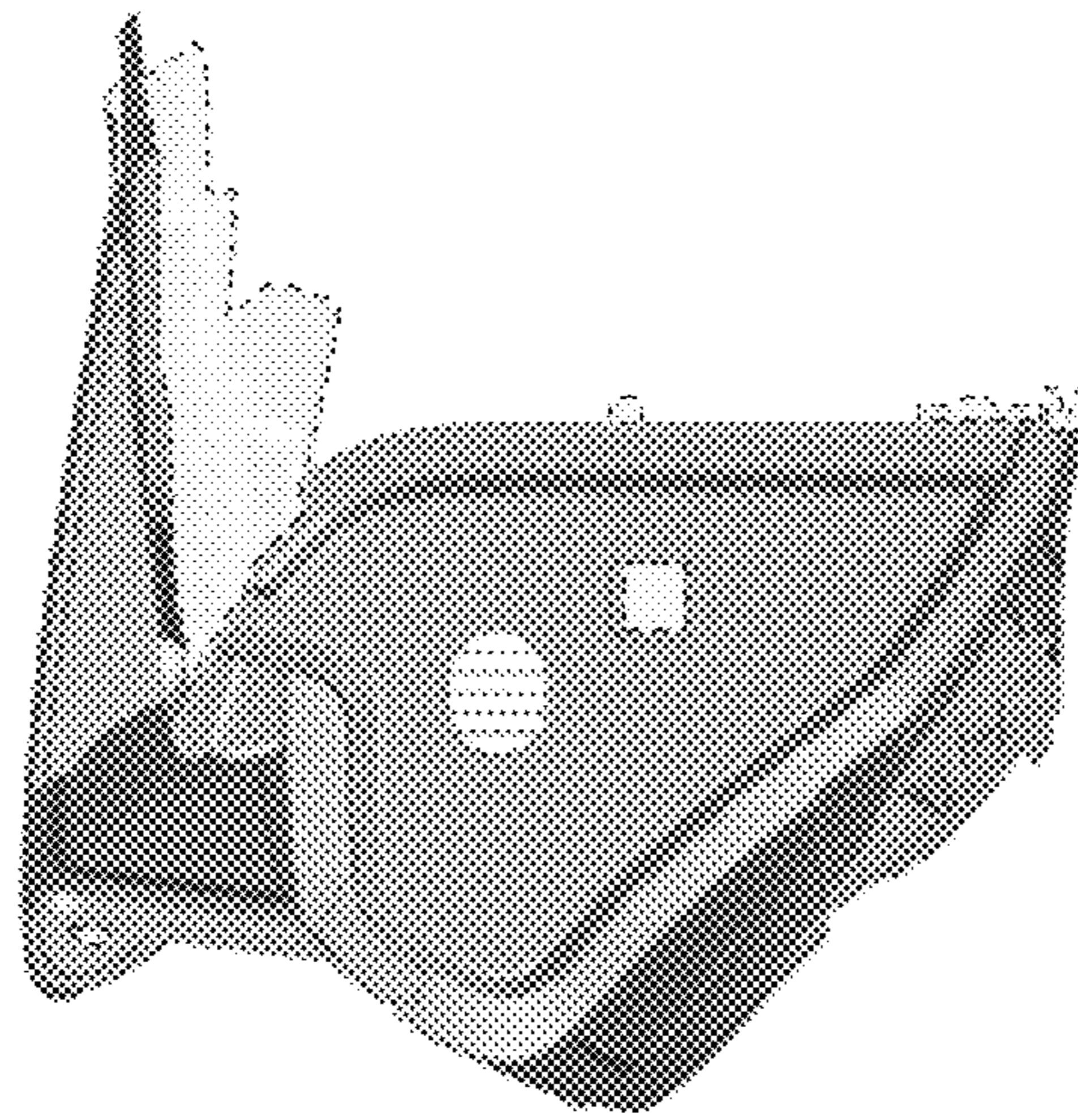


FIG. 4

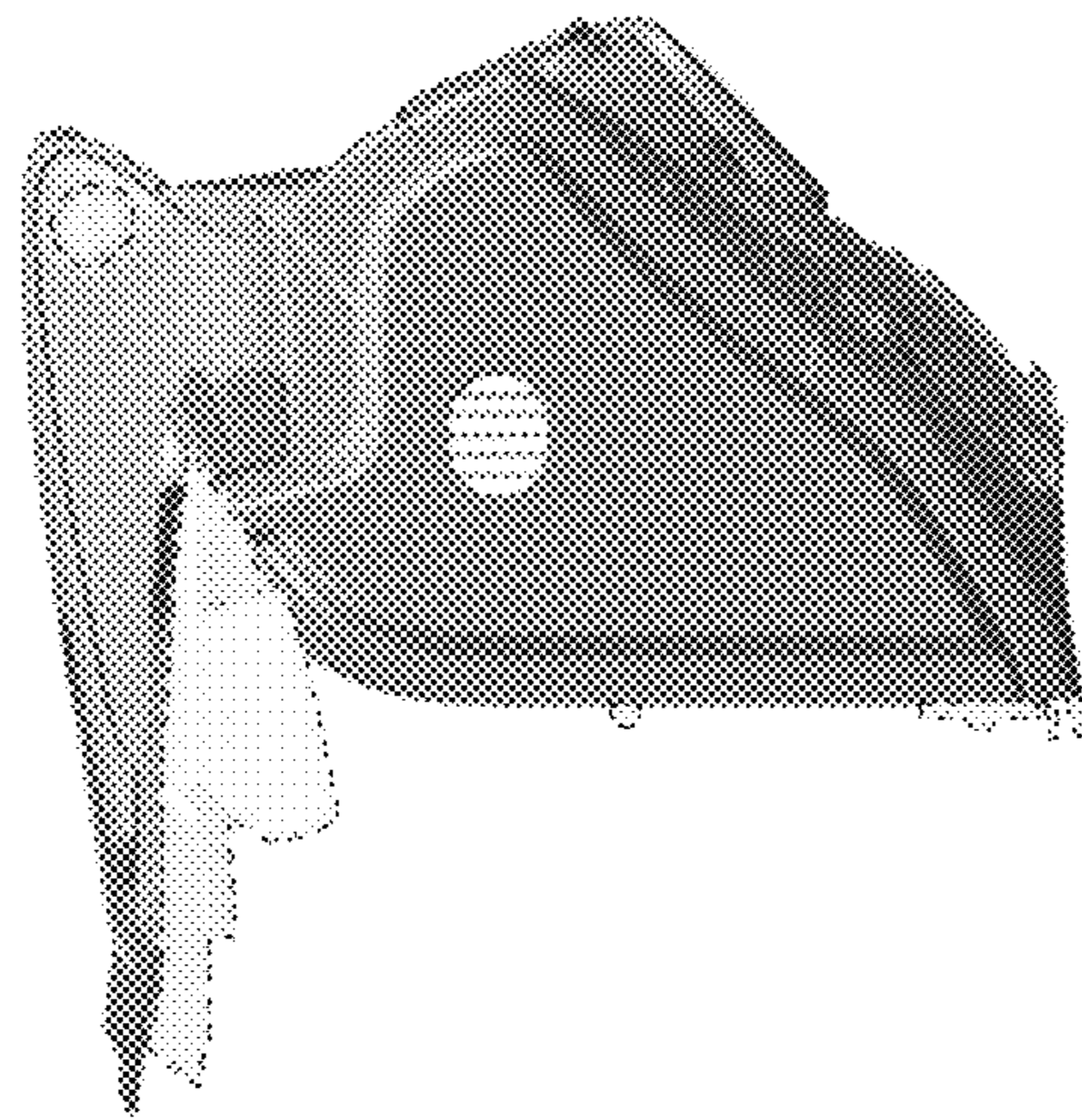


FIG. 5

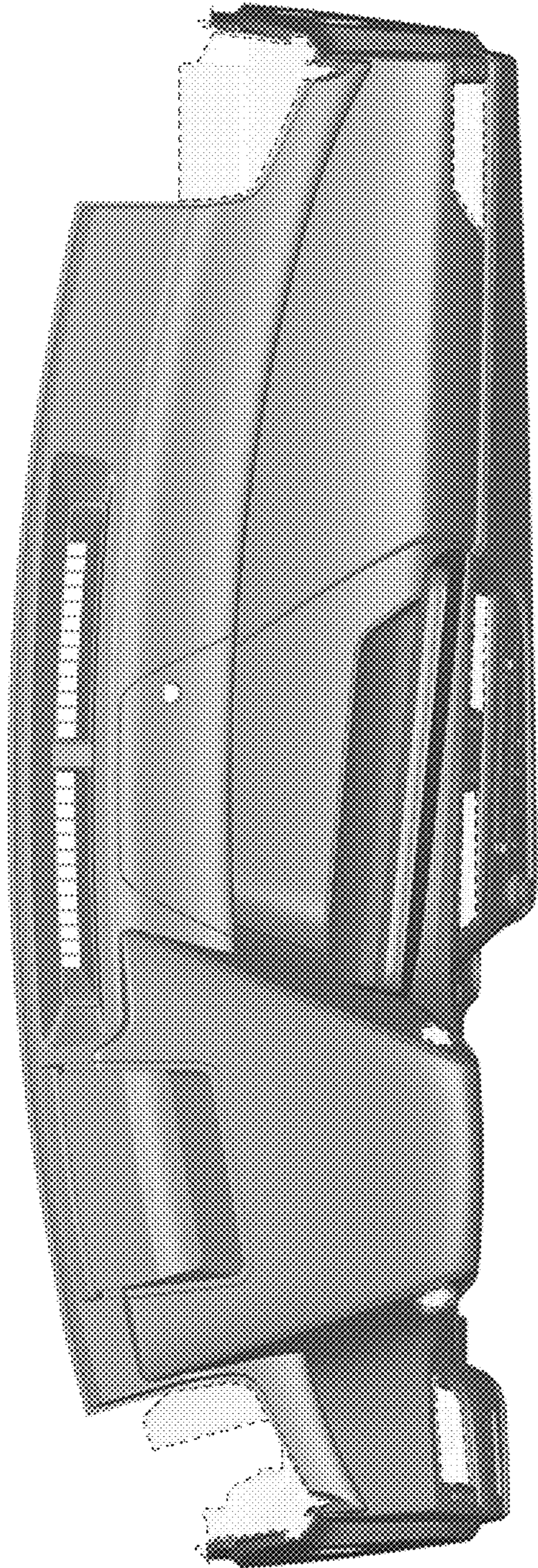


FIG. 6

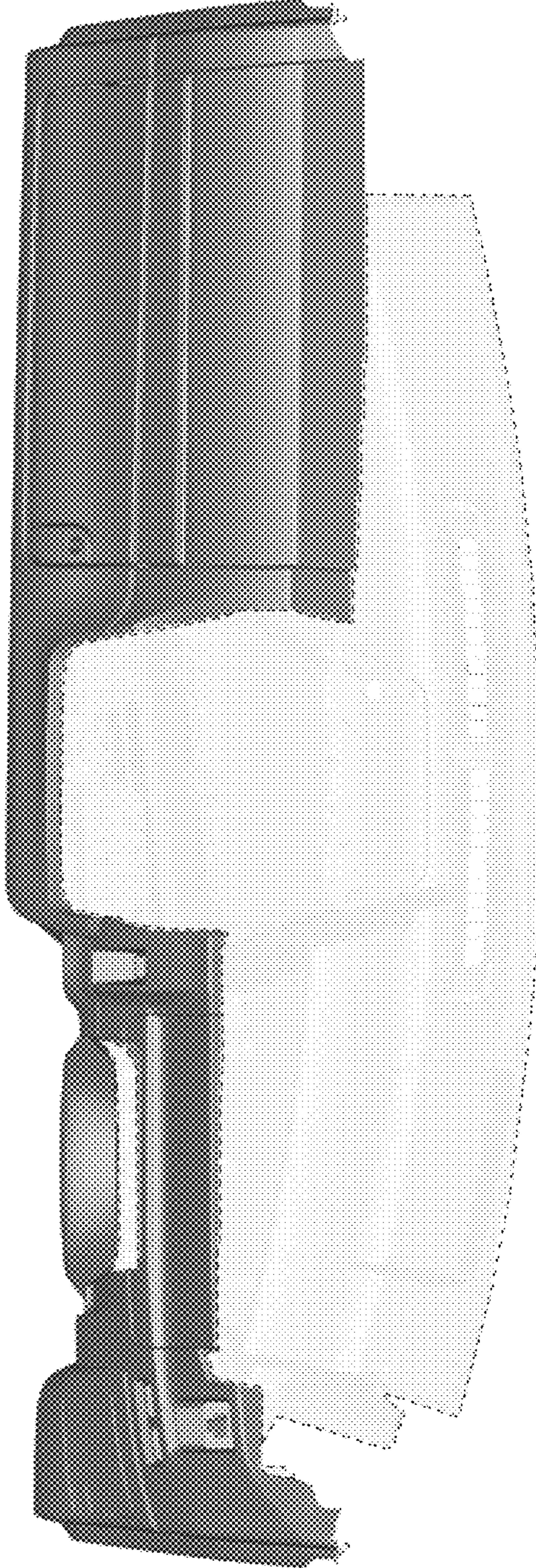


FIG. 7