



US00D987507S

(12) **United States Design Patent**
Schmeckpeper

(10) **Patent No.:** **US D987,507 S**

(45) **Date of Patent:** **** May 30, 2023**

- (54) **VEHICLE OUTSIDE MIRROR**
- (71) Applicant: **GM GLOBAL TECHNOLOGY OPERATIONS LLC**, Detroit, MI (US)
- (72) Inventor: **Daniel E. Schmeckpeper**, Clarkston, MI (US)
- (73) Assignee: **GM Global Technology Operations LLC**, Detroit, MI (US)

D804,379 S	12/2017	McMahan	
D809,442 S *	2/2018	Zipfel	D12/187
D818,915 S	5/2018	Kozub et al.	
D827,531 S *	9/2018	Bucher	D12/187
D832,167 S *	10/2018	Loeb	D12/187
D839,157 S	1/2019	Smith et al.	
D840,303 S	2/2019	Park Cheng	
D840,885 S	2/2019	Park Cheng	
D851,002 S	6/2019	Kozub	

(Continued)

- (**) Term: **15 Years**
- (21) Appl. No.: **29/805,888**
- (22) Filed: **Aug. 31, 2021**
- (51) **LOC (14) Cl.** **12-16**
- (52) **U.S. Cl.**
USPC **D12/187**
- (58) **Field of Classification Search**
USPC D12/114, 187, 188, 189, 191, 400, 404;
D6/300, 309
CPC B60R 1/06; B60R 1/0605; B60R 1/0617;
B60R 1/074; B60R 1/076; B60R 1/078;
B60R 1/08; B60R 1/081; B60R 1/082
See application file for complete search history.

OTHER PUBLICATIONS

Exterior Trim Mirror Cover 2021-2023 GM, Part Super Store Webpage [online], [Site Visit Apr. 4, 2023], URL: <https://www.gmpartsonline.net/oem-parts/gm-exterior-trim-mirror-covers-black-84703355> (Year: 2023).*

(Continued)

Primary Examiner — Calvin E Vansant
Assistant Examiner — Giang Hoang Tran

(57) **CLAIM**

The ornamental design for a vehicle outside mirror, as shown and described.

DESCRIPTION

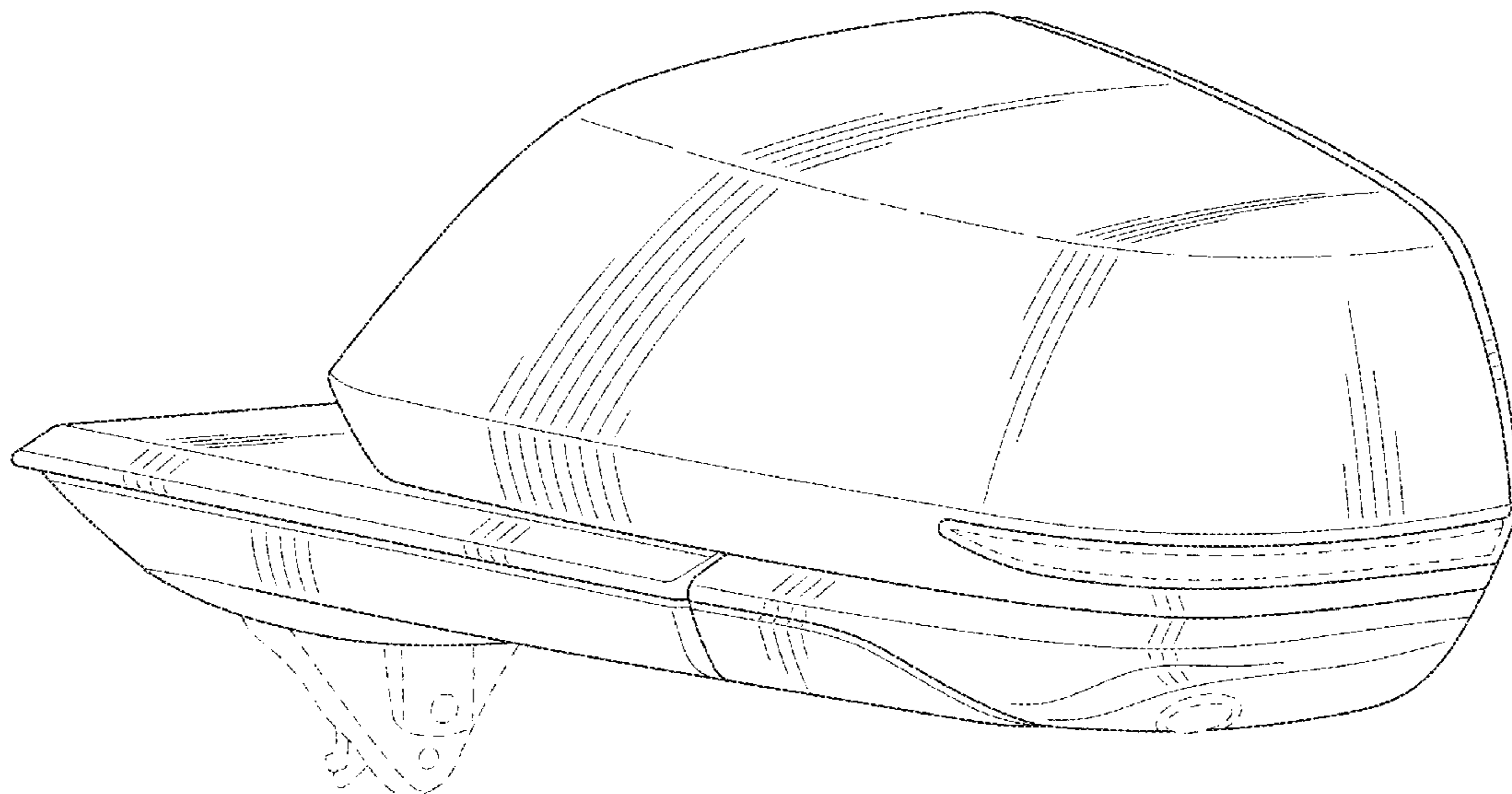
FIG. 1 is a front and left perspective view of a vehicle outside mirror showing my new design; the mirror image of the vehicle outside mirror is claimed, but not shown; FIG. 2 is a front elevation view of the vehicle outside mirror of FIG. 1; FIG. 3 is a left elevation view thereof; FIG. 4 is a right elevation view thereof; FIG. 5 is a top view thereof; FIG. 6 is a back elevation view thereof; and, FIG. 7 is a bottom view thereof. The broken lines in the drawings depict portions of the vehicle outside mirror that form no part of the claimed design.

(56) **References Cited**

U.S. PATENT DOCUMENTS

D621,313 S *	8/2010	Kimura	D12/187
D661,634 S *	6/2012	Huet	D12/187
D724,510 S	3/2015	McMahan et al.	
9,428,112 B2 *	8/2016	Eto	B60R 1/07
D782,377 S *	3/2017	Curic	D12/187
D782,378 S *	3/2017	Curic	D12/187
D782,379 S	3/2017	Wassell	
D784,226 S	4/2017	Cheng	
D792,824 S *	7/2017	Bucher	D12/187
D793,311 S	8/2017	Whitla et al.	
D797,537 S	9/2017	Cooper et al.	
D802,502 S	11/2017	McMahan	
D804,378 S	12/2017	Perkins	

1 Claim, 7 Drawing Sheets



(56)

References Cited

U.S. PATENT DOCUMENTS

D854,991	S	7/2019	Whitla et al.	
D855,523	S	8/2019	Perkins	
D855,524	S	8/2019	Lee	
D860,085	S *	9/2019	Koo	D12/187
D863,160	S	10/2019	Gifford et al.	
D873,745	S	1/2020	Ruiz	
D882,471	S *	4/2020	Tovey	D12/187
D883,879	S *	5/2020	Metros	D12/187
D902,813	S	11/2020	Ruiz	
D902,814	S *	11/2020	Ruiz	D12/187
D903,163	S	11/2020	Choi et al.	
D908,565	S *	1/2021	Choi	D12/187
D908,567	S *	1/2021	Hunwick	D12/187
D911,894	S *	3/2021	Tonello	D12/187
D913,881	S *	3/2021	Hilliard	D12/187
D919,529	S *	5/2021	Dewitt	D12/187
D932,966	S *	10/2021	Tonello	D12/187
D942,910	S *	2/2022	Kim	D12/187
D968,289	S *	11/2022	Li	D12/187
D969,044	S *	11/2022	Schmeckpeper	D12/187
11,505,125	B2 *	11/2022	Caraan	B60R 1/06
2013/0120865	A1 *	5/2013	Toyama	B60R 1/06 359/841

OTHER PUBLICATIONS

Side Mirror, Jan. 16, 2021, Amazon[online],[Site Visit Apr. 4, 2023], URL: <https://www.amazon.com/Passenger-Operated-Heated-Mirror-Matching/dp/B07LFMS4W1> (2021) (Year: 2021).*

Side Power Mirror, Dec. 19, 2018, Amazon[online],[Site Visit Apr. 4, 2023], URL: <https://www.amazon.com/Passenger-Operated-Heated-Mirror-Matching/dp/B07LFMS4W1> (2018) (Year: 2018).*

* cited by examiner

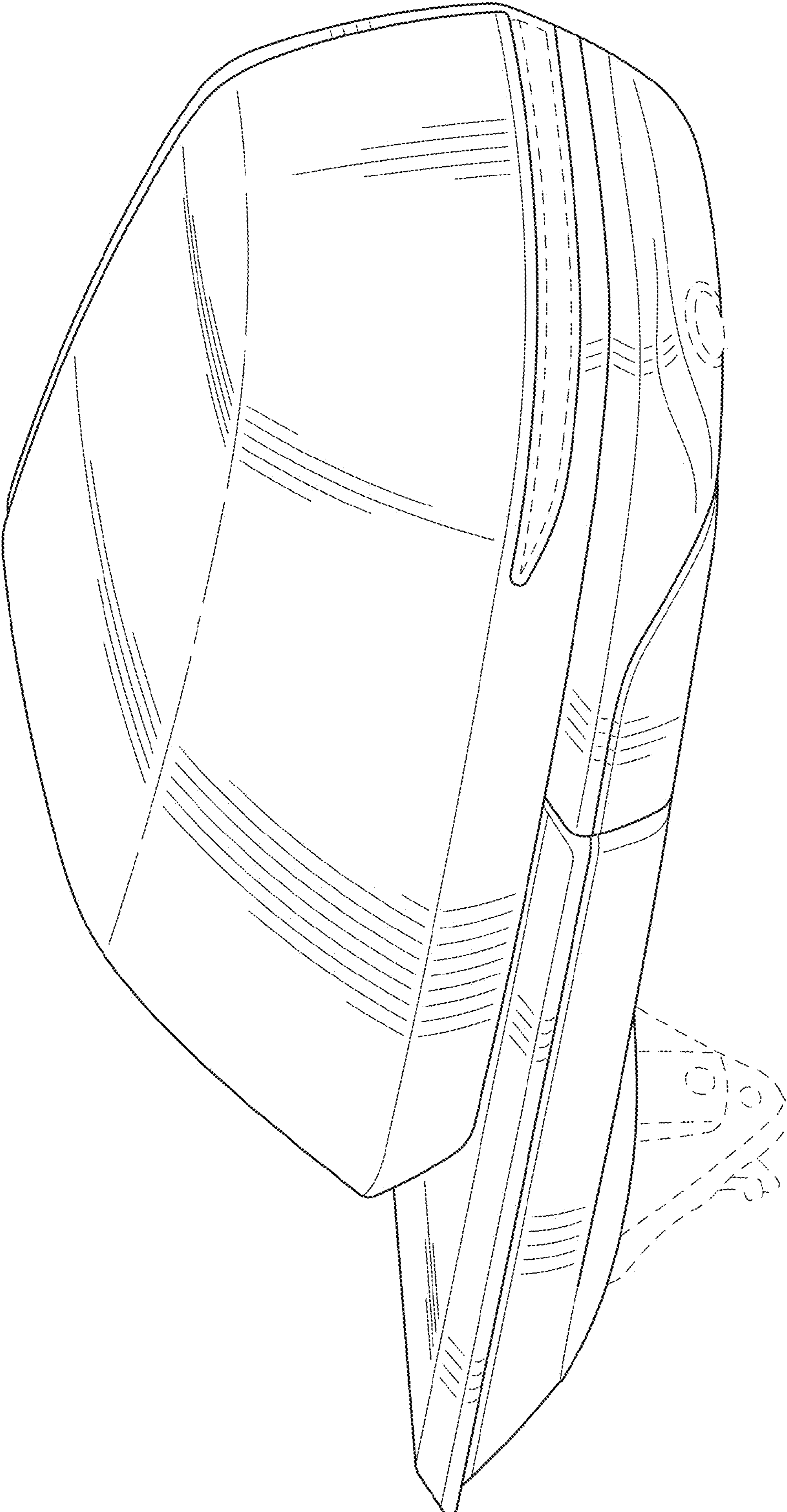


FIG. 1

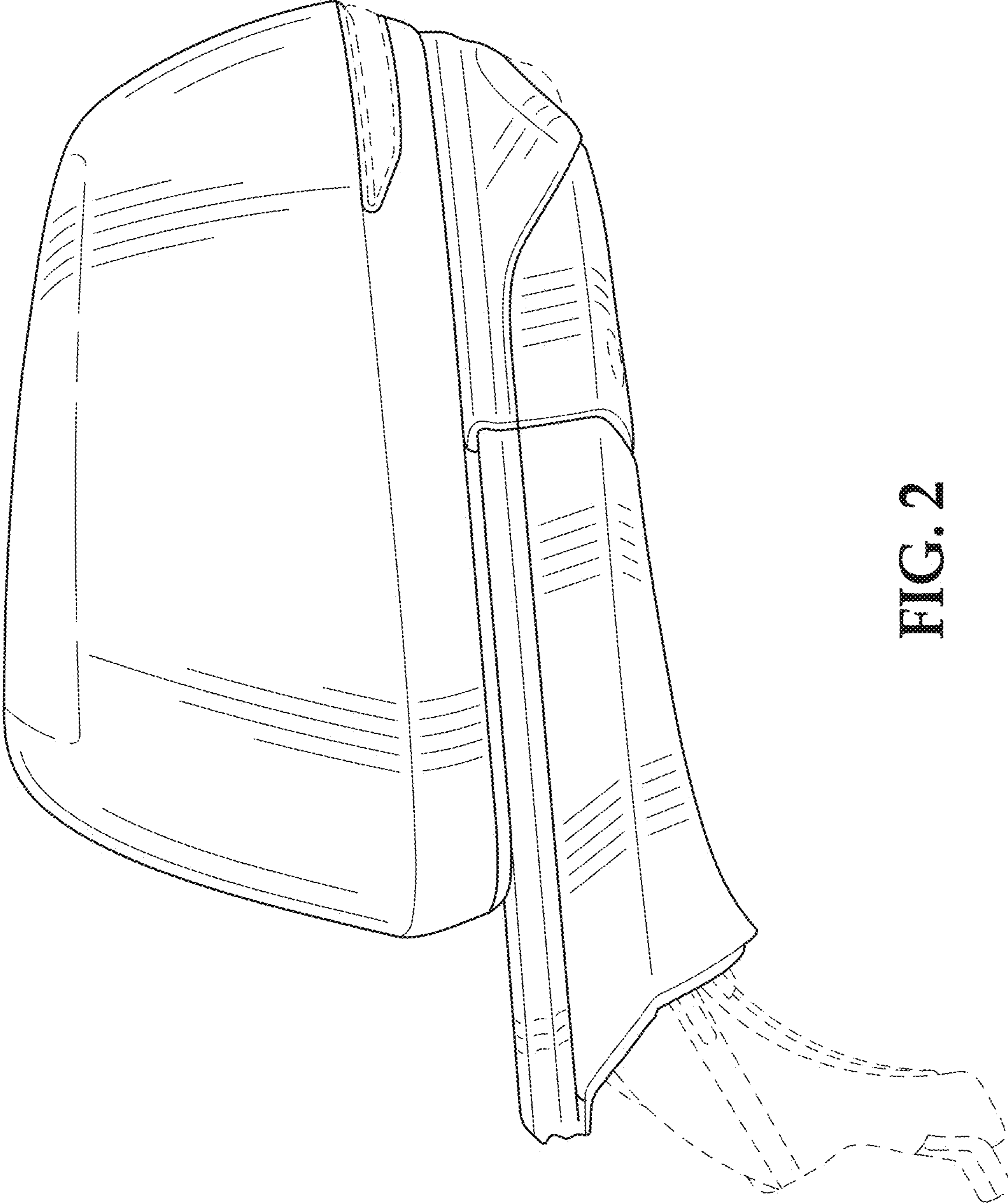


FIG. 2

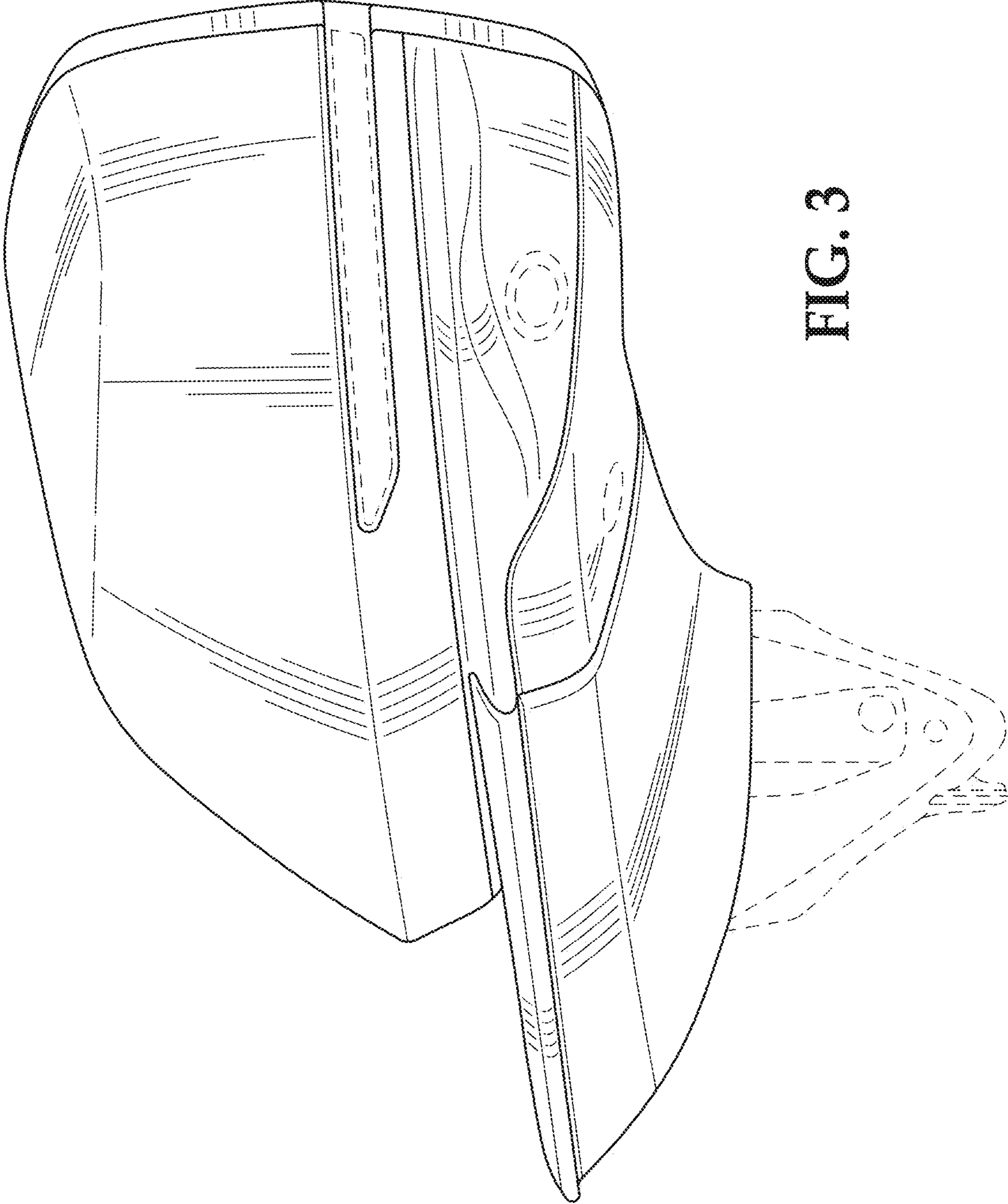


FIG. 3

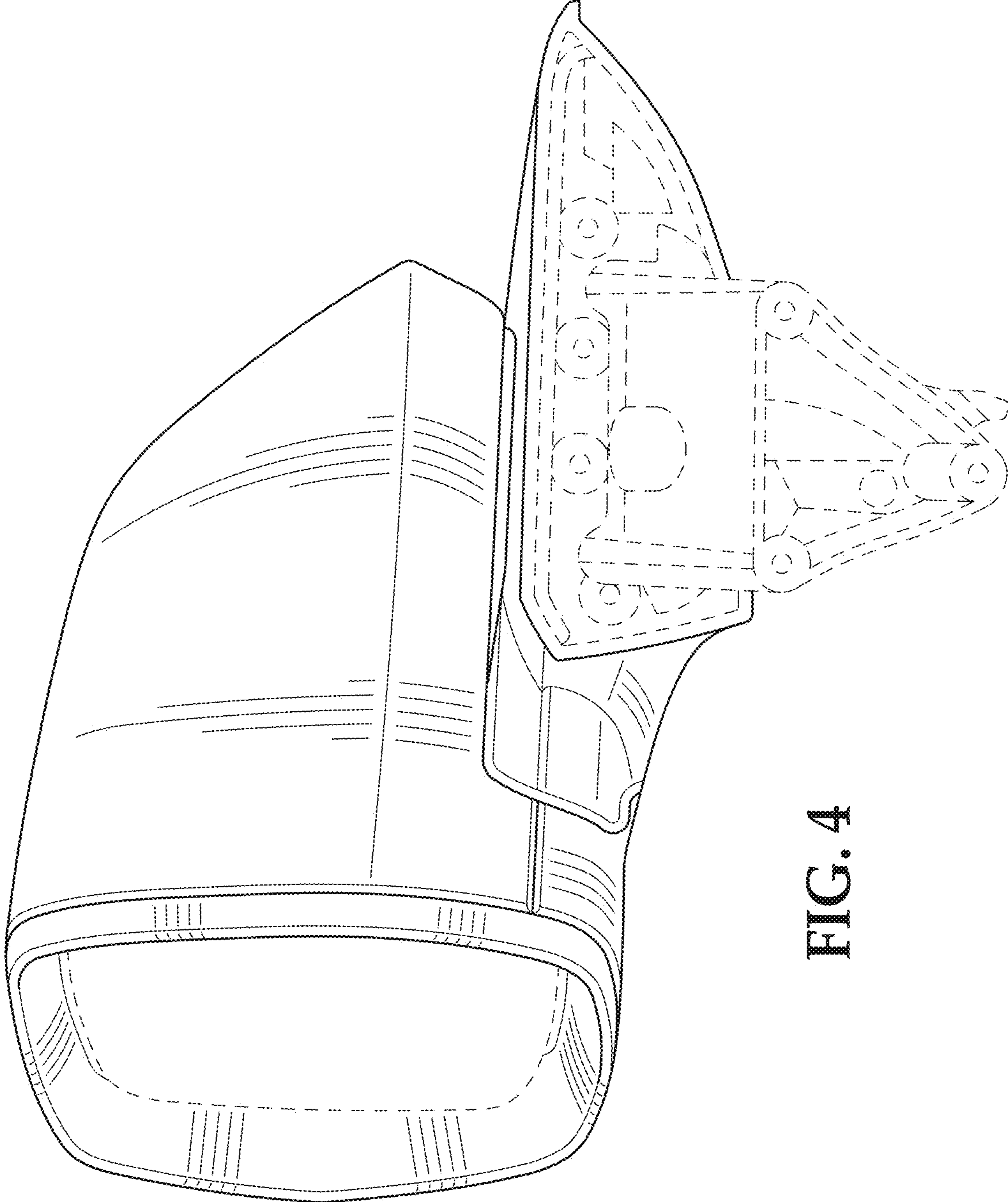


FIG. 4

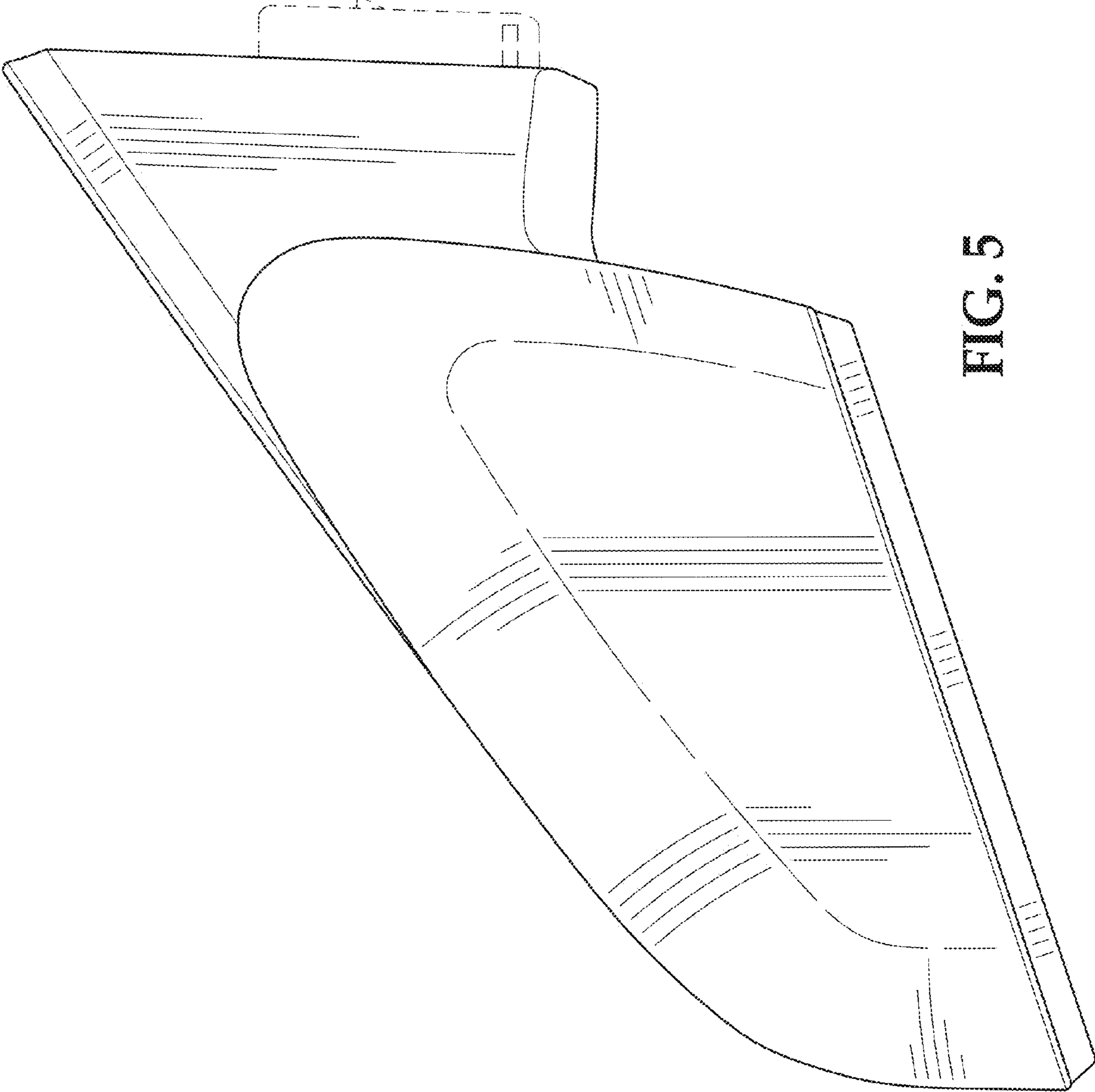


FIG. 5

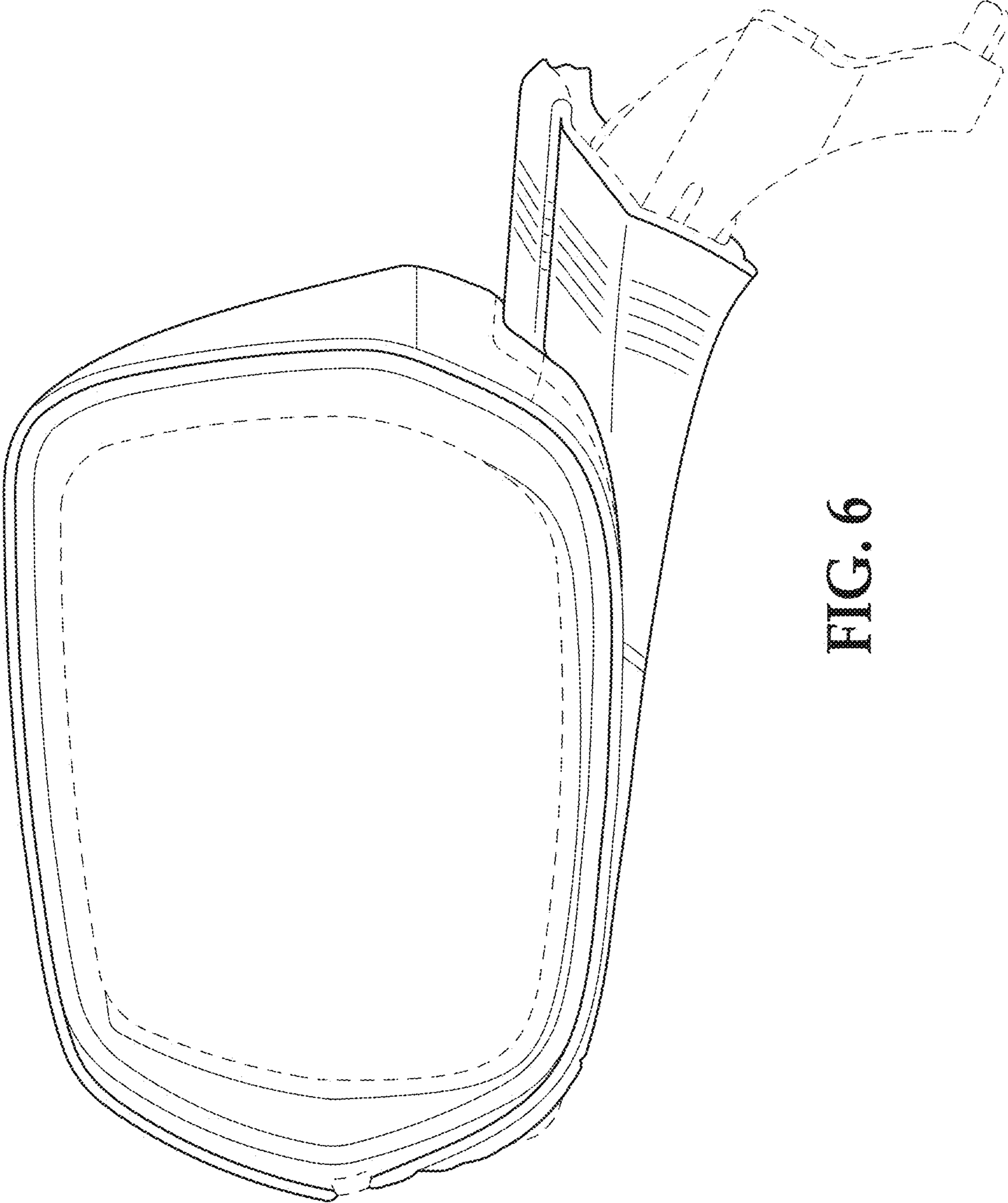


FIG. 6

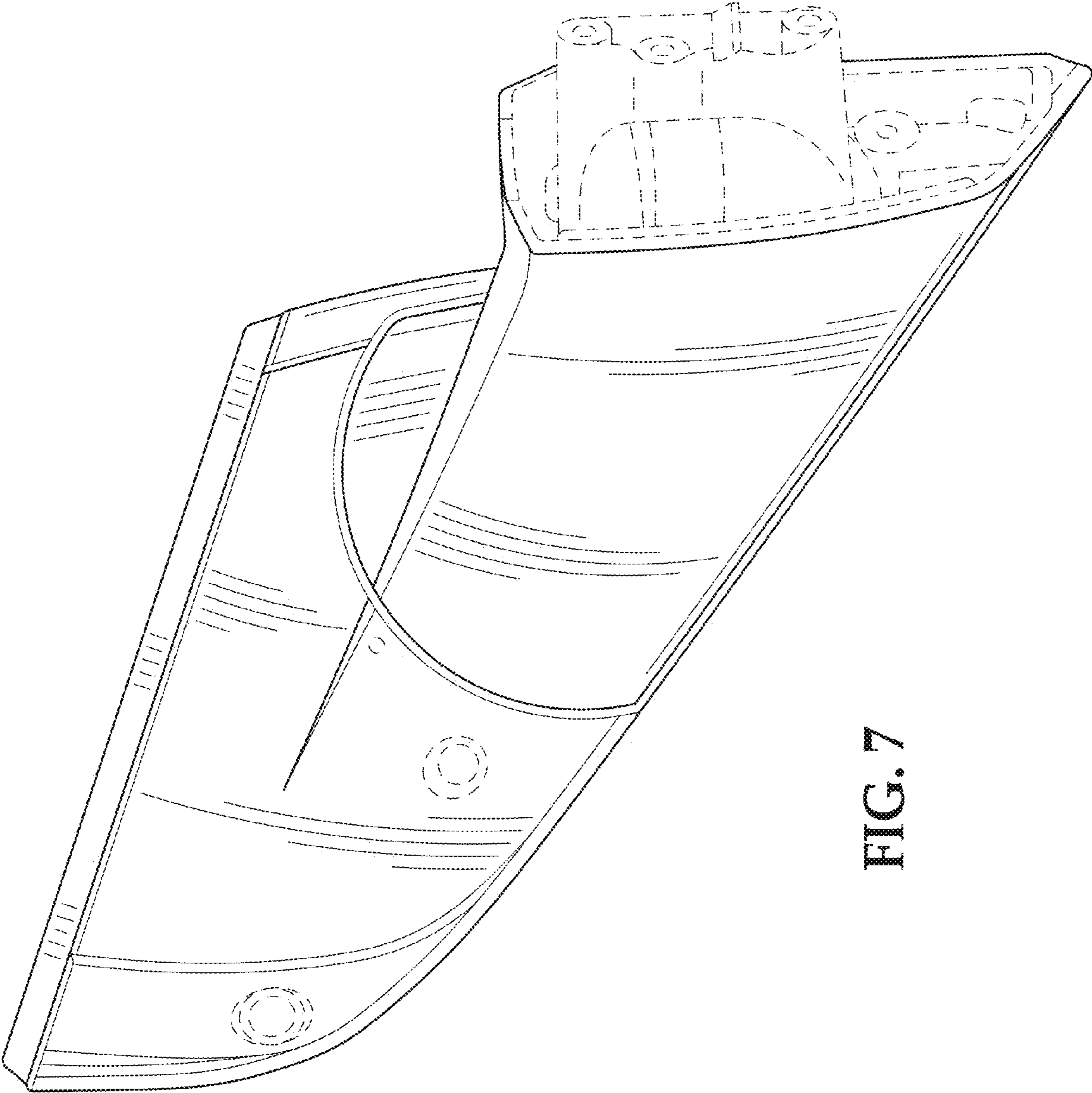


FIG. 7