



US00D987506S

(12) **United States Design Patent** (10) **Patent No.:** **US D987,506 S**
Bennion (45) **Date of Patent:** **** May 30, 2023**

(54) **VEHICLE SPOILER**
(71) Applicant: **GM GLOBAL TECHNOLOGY OPERATIONS LLC**, Detroit, MI (US)
(72) Inventor: **Kirk D. Bennion**, Macomb, MI (US)
(73) Assignee: **GM Global Technology Operations LLC**, Detroit, MI (US)

D868,756 S 12/2019 Song et al.
D897,915 S * 10/2020 Ruiz D12/181
D903,077 S 11/2020 Mainville et al.
D903,078 S 11/2020 Mainville et al.
D915,962 S * 4/2021 Pastier D12/191
D924,111 S * 7/2021 Piaskowski D12/181
D930,532 S 9/2021 Zhao et al.
D932,399 S * 10/2021 Scheinhütte D12/181
D938,874 S * 12/2021 Bennion D12/181

(**) Term: **15 Years**
(21) Appl. No.: **29/812,108**
(22) Filed: **Oct. 19, 2021**
(51) **LOC (14) Cl.** **12-16**
(52) **U.S. Cl.**
USPC **D12/181**; D12/184; D12/191
(58) **Field of Classification Search**
USPC D12/181, 184, 191, 400, 88, 92, 96, 99
CPC B62D 35/00; B62D 35/007
See application file for complete search history.

OTHER PUBLICATIONS

“Glossy Black Trunk Lid Duckbill Spoiler Wing Compatible with BMW 4 Series 2014—2020 Gran Coupe Fastback” amazon.com, post Published Apr. 28, 2020. Retrieved Mar. 31, 2023. Available online at URL:https://www.amazon.com/Optimal-Co-Duckbill-Compatible-2014-2020/dp/B087SLBWY9/ref=sxin (Year: 2020).*

(Continued)

Primary Examiner — Christian P. McLean
Assistant Examiner — Jessica Lynn Devilbiss

(57) **CLAIM**

The ornamental design for a vehicle spoiler, as shown and described.

(56) **References Cited**

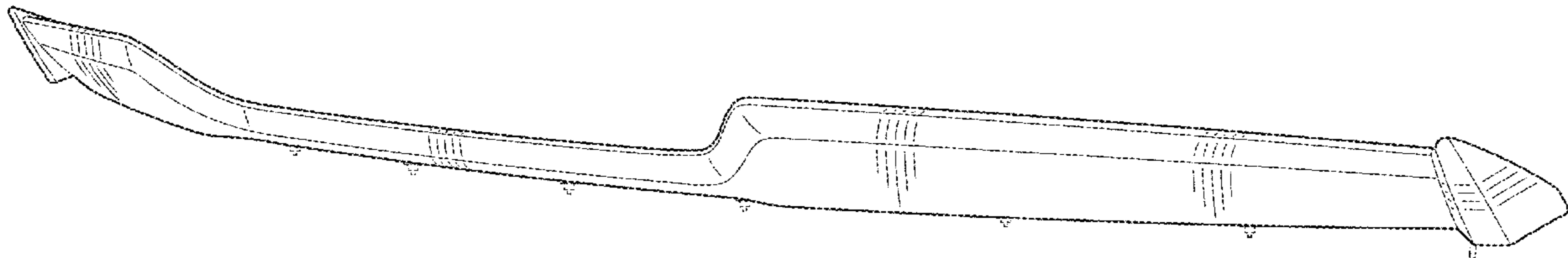
U.S. PATENT DOCUMENTS

D686,127 S 7/2013 Munson et al.
D711,298 S * 8/2014 Jamieson D12/181
D757,631 S 5/2016 Jamieson
D777,628 S 1/2017 Kozub et al.
D784,223 S 4/2017 Lee
D784,877 S 4/2017 Lee
D787,446 S 5/2017 Cockerill
D795,747 S 8/2017 Bailie
D807,232 S 1/2018 Bailie
D821,941 S * 7/2018 Mack D12/169
D829,622 S 10/2018 Jacob
D830,261 S 10/2018 Jacob
D839,164 S 1/2019 Zipfel
D842,306 S 3/2019 Lindo et al.
D863,170 S 10/2019 Zipfel
D867,951 S 11/2019 Izard

DESCRIPTION

FIG. 1 is a front and left perspective view of a vehicle spoiler showing my new design;
FIG. 2 is a front elevation view of the vehicle spoiler of FIG. 1;
FIG. 3 is a left elevation view thereof;
FIG. 4 is a right elevation view thereof;
FIG. 5 is a back elevation view thereof;
FIG. 6 is a top view thereof; and,
FIG. 7 is a bottom view thereof.
The broken lines in the drawings depict portions of the vehicle spoiler that form no part of the claimed design.

1 Claim, 7 Drawing Sheets



(56)

References Cited

OTHER PUBLICATIONS

“Ikon Motorsports, Trunk Spoiler Compatible With 2015-2023 Dodge Charger, Matte Black ABS Plastic SRT” amazon.com, post Published Aug. 12, 2021. Retrieved Mar. 31, 2023. Available online at URL:https://www.amazon.com/IKON-MOTORSPORTS-Spoiler-Compatible-2015-2022/dp/B09G9Y8DDH/ref=sr_1_18?crid (Year: 2021).*

* cited by examiner

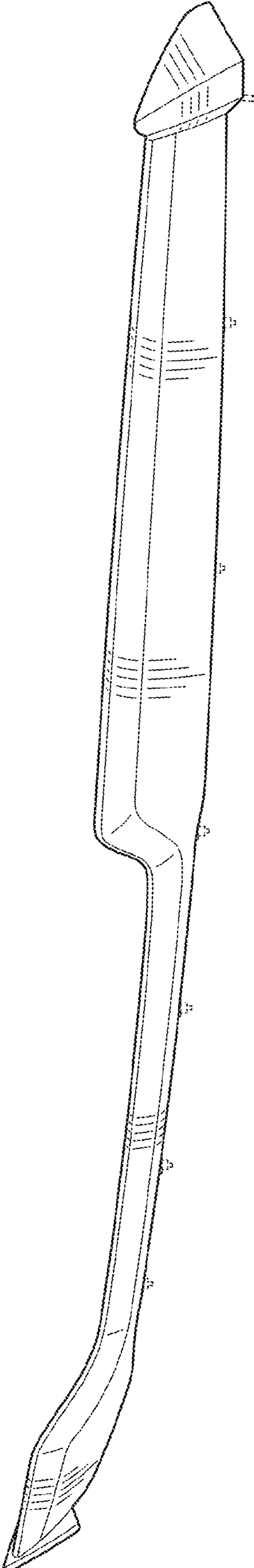


FIG. 1

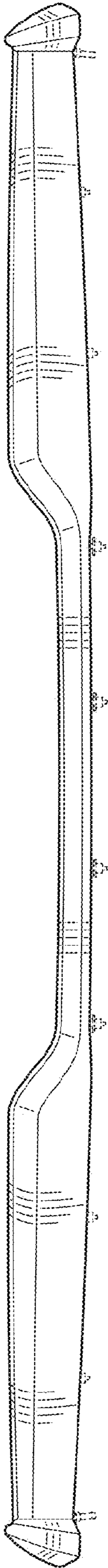


FIG. 2

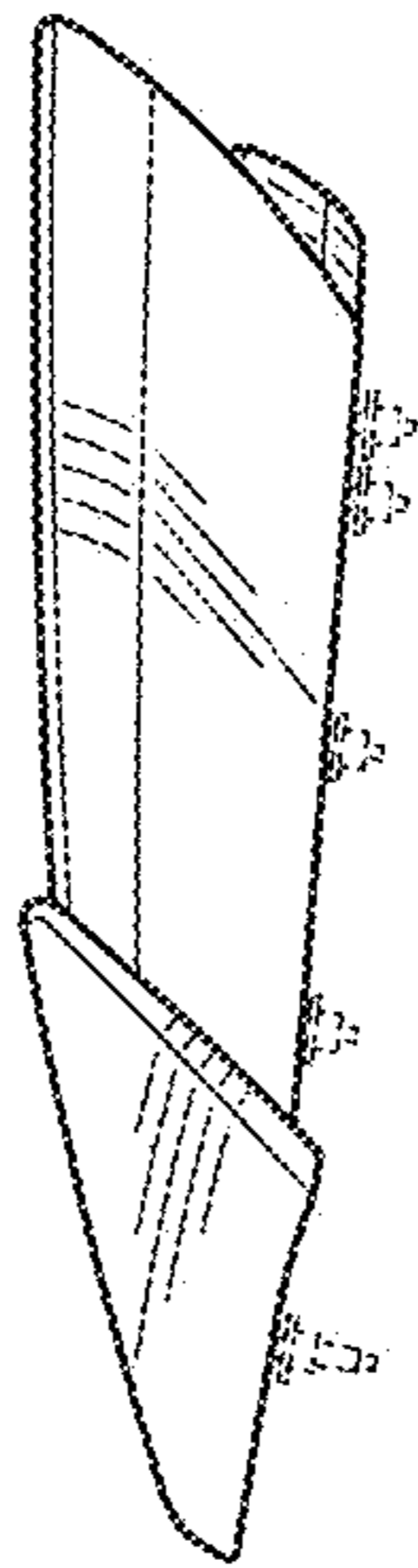


FIG. 3

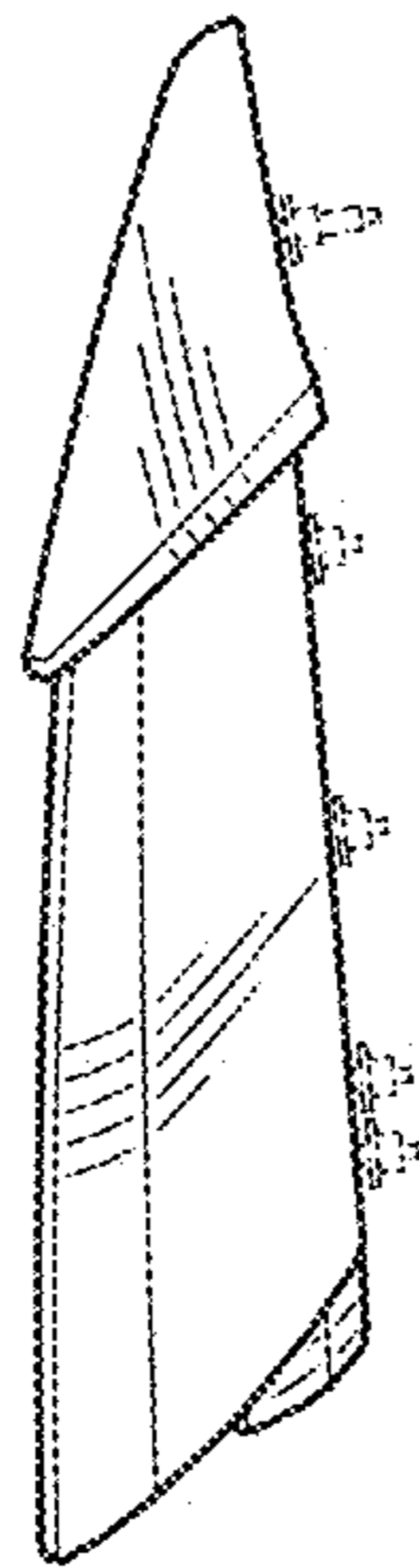


FIG. 4

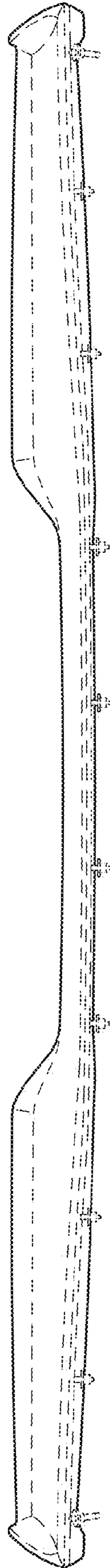


FIG. 5

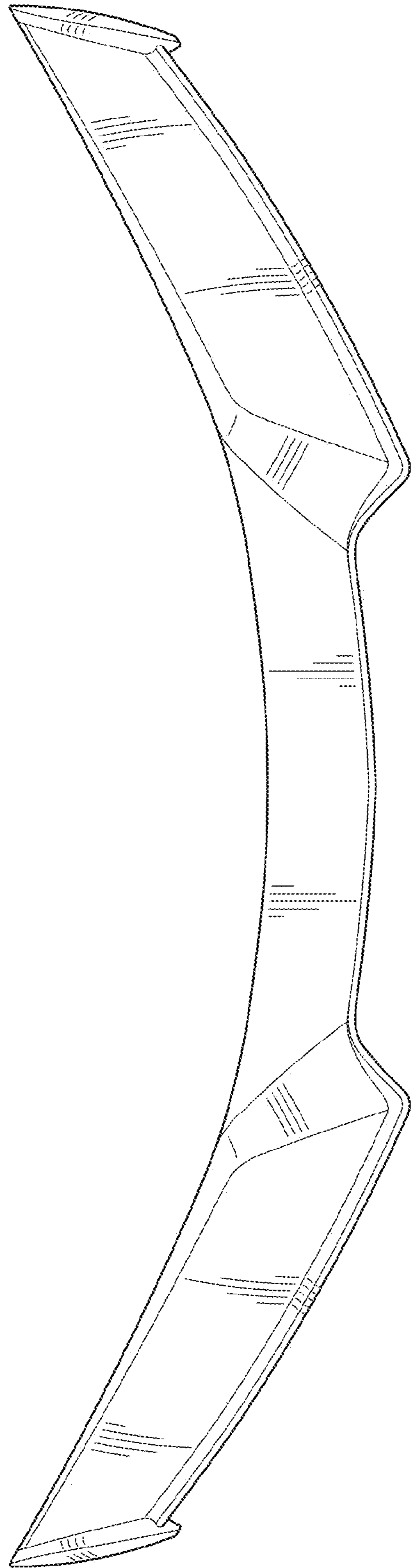


FIG. 6

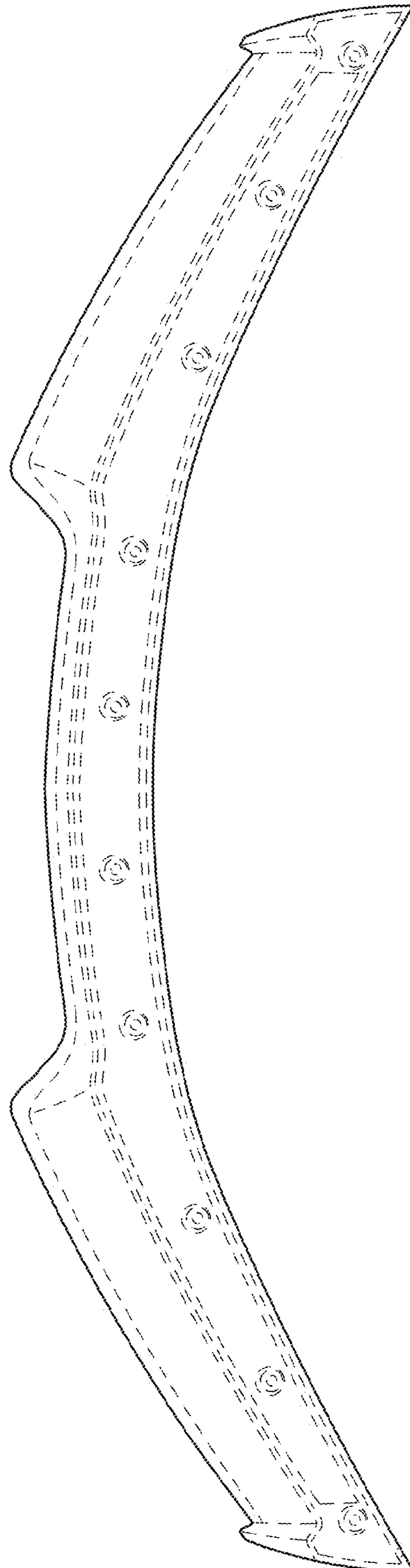


FIG. 7