



US00D987504S

(12) **United States Design Patent** (10) **Patent No.:** **US D987,504 S**  
**Choi et al.** (45) **Date of Patent:** **\*\* May 30, 2023**

(54) **VEHICLE HOOD**  
(71) Applicant: **GM GLOBAL TECHNOLOGY OPERATIONS LLC**, Detroit, MI (US)  
(72) Inventors: **Hojun Choi**, Seoul (KR); **Yeonhee Kim**, Seoul (KR); **Dongwan Jo**, Incheon (KR)  
(73) Assignee: **GM Global Technology Operations LLC**, Detroit, MI (US)

D718,683 S 12/2014 Thole et al.  
D718,684 S 12/2014 Thole et al.  
D735,627 S 8/2015 Smith et al.  
D737,743 S 9/2015 Duff et al.  
D739,317 S 9/2015 McMahan et al.  
D740,187 S 10/2015 Jamieson  
D743,309 S 11/2015 Thole et al.  
D743,857 S 11/2015 McMahan et al.  
D762,149 S 7/2016 Kim et al.  
D777,620 S 1/2017 Pevovar et al.  
D777,621 S 1/2017 Kim  
D777,622 S 1/2017 Kozub et al.

(Continued)

(\*\*) Term: **15 Years**

**OTHER PUBLICATIONS**

(21) Appl. No.: **29/805,382**  
(22) Filed: **Aug. 26, 2021**  
(51) **LOC (14) Cl.** ..... **12-16**  
(52) **U.S. Cl.**  
USPC ..... **D12/173**  
(58) **Field of Classification Search**  
USPC .... D12/86, 91, 93, 163, 164, 165, 166, 167,  
D12/169, 171, 172, 173, 190, 216  
CPC ..... B60R 9/06; B60R 19/02; B60R 19/04;  
B60R 19/18; B60R 19/44; B60R 19/48;  
B62D 35/02  
See application file for complete search history.

Hoods. (Design—© Questel) orbit.com. [Online PDF compilation of references] 41 pgs. Print Dates Range Aug. 11, 2021-Jun. 6, 2022 [Retrieved Feb. 23, 2023].\*

(Continued)

*Primary Examiner* — George D. Kirschbaum  
*Assistant Examiner* — Suzanne E Tisdell

(57) **CLAIM**

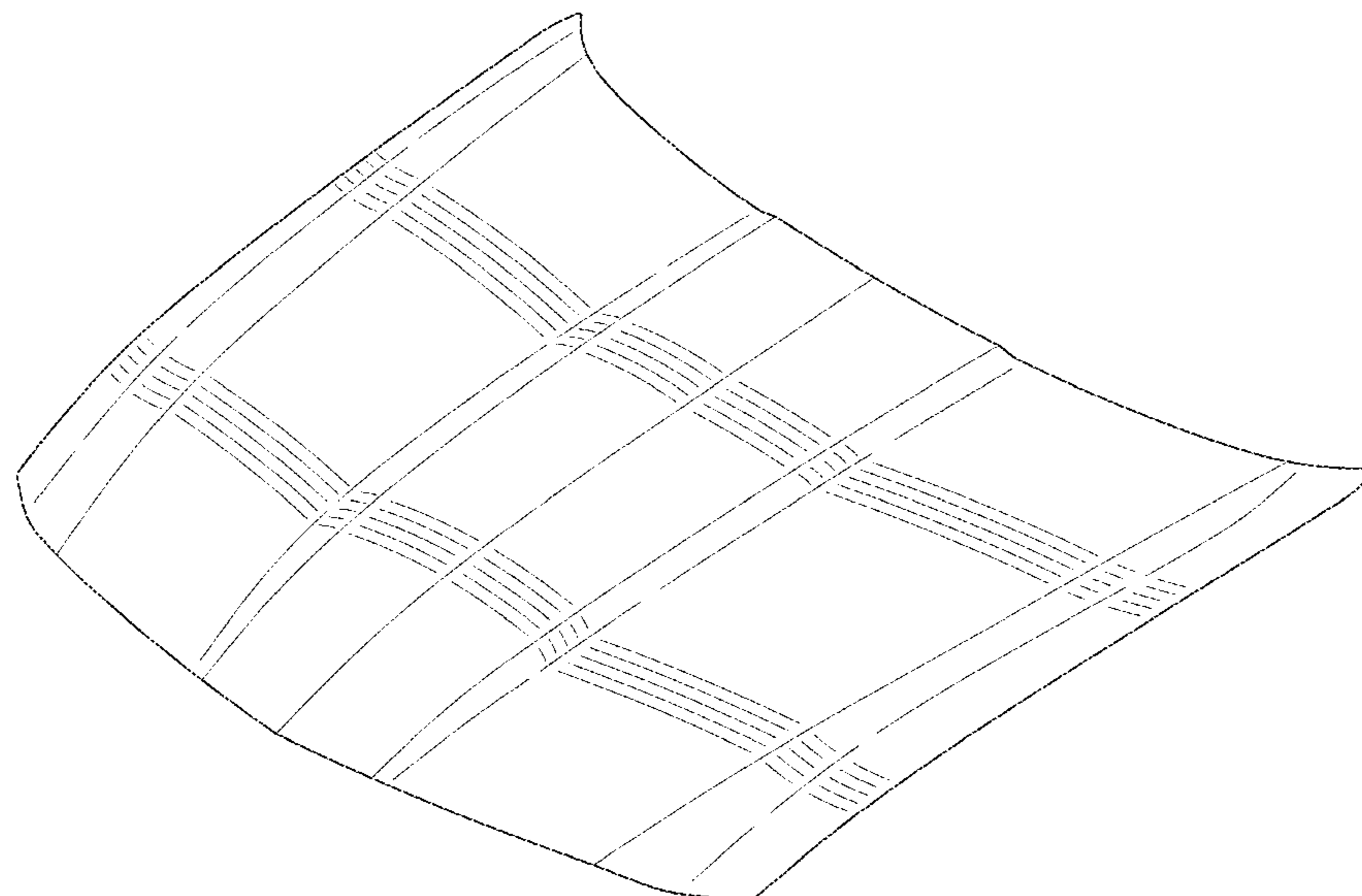
The ornamental design for a vehicle hood, as shown and described.

**DESCRIPTION**

FIG. 1 is a front and left perspective view of a vehicle hood showing our new design;  
FIG. 2 is a front elevation view of the vehicle hood of FIG. 1;  
FIG. 3 is a right elevation view thereof;  
FIG. 4 is a left elevation view thereof;  
FIG. 5 is a top view thereof;  
FIG. 6 is a back elevation view thereof; and,  
FIG. 7 is a bottom view thereof.  
The broken lines in the drawings depict portions of the vehicle hood that form no part of the claimed design.

(56) **References Cited**  
U.S. PATENT DOCUMENTS  
D592,113 S 5/2009 Ward  
D626,476 S 11/2010 Loeb  
D666,540 S 9/2012 Karras et al.  
D669,403 S 10/2012 Gifford  
D679,227 S 4/2013 Schmeckpeper  
D683,675 S 6/2013 Munson et al.  
D686,120 S 7/2013 Thurber  
D686,121 S 7/2013 McCabe et al.  
D699,643 S 2/2014 Chae  
D706,185 S 6/2014 MacKay  
D707,595 S 6/2014 Kavaja  
D710,269 S 8/2014 O'Donnell et al.

**1 Claim, 7 Drawing Sheets**



(56)

References Cited

U.S. PATENT DOCUMENTS

D778,215 S 2/2017 Kozub et al.  
 D778,792 S 2/2017 Kim  
 D786,750 S 5/2017 Lee  
 D787,992 S 5/2017 Lee  
 D787,993 S 5/2017 McCabe et al.  
 D789,260 S 6/2017 Smith et al.  
 D804,372 S 12/2017 Kozub  
 D812,531 S 3/2018 Im  
 D812,532 S 3/2018 Jeong  
 D813,120 S 3/2018 Kim  
 D813,121 S 3/2018 Swanseger  
 D813,757 S 3/2018 Kozub  
 D813,758 S 3/2018 Gonzales  
 D813,759 S 3/2018 Perkins  
 D815,573 S 4/2018 Whitla et al.  
 D815,574 S 4/2018 Mainville  
 D818,903 S 5/2018 Zipfel et al.  
 D818,904 S 5/2018 Jeong  
 D818,906 S 5/2018 McMahan  
 D818,907 S 5/2018 Whitla et al.  
 D824,824 S 8/2018 Kim  
 D824,825 S 8/2018 Loeb  
 D828,247 S 9/2018 Kozub  
 D828,248 S 9/2018 Zipfel  
 D829,621 S 10/2018 Mack et al.  
 D830,252 S 10/2018 Swanseger  
 D830,258 S 10/2018 Moffett et al.  
 D836,045 S 12/2018 McMahan et al.  
 D841,540 S 2/2019 Koo et al.  
 D841,541 S 2/2019 Krieg  
 D842,178 S 3/2019 Pinazzo  
 D843,280 S 3/2019 Thurber et al.  
 D848,915 S 5/2019 Izard  
 D855,515 S 8/2019 Riggs et al.  
 D856,876 S 8/2019 Kapitonov  
 D863,154 S 10/2019 O'Donnell et al.  
 D863,156 S 10/2019 Blanski et al.  
 D863,157 S 10/2019 Wilkins et al.  
 D867,947 S 11/2019 Park Cheng et al.

D868,652 S 12/2019 Gifford  
 D873,735 S 1/2020 Park Cheng et al.  
 D880,382 S 4/2020 Izard  
 D885,270 S 5/2020 Zipfel  
 D887,329 S 6/2020 Zipfel  
 D888,635 S 6/2020 Zipfel  
 D902,807 S 11/2020 Ruiz  
 D902,809 S 11/2020 Hunwick  
 D903,555 S 12/2020 Choi et al.  
 D934,138 S \* 10/2021 Montoya Bueloni ..... D12/173  
 D934,763 S \* 11/2021 Bischoff ..... D12/173  
 D936,536 S \* 11/2021 Kaoud ..... D12/173  
 D939,409 S \* 12/2021 Theis ..... D12/173  
 D950,441 S \* 5/2022 Jevremovic ..... D12/173  
 D950,442 S \* 5/2022 Jie ..... D12/173  
 D950,443 S \* 5/2022 Chen ..... D12/173  
 D953,948 S \* 6/2022 Piaskowski ..... D12/173  
 D960,787 S \* 8/2022 Kaoud ..... D12/173  
 D960,791 S \* 8/2022 Ahn ..... D12/173  
 D962,133 S \* 8/2022 Forschner ..... D12/173  
 D962,134 S \* 8/2022 Li ..... D12/173  
 D976,778 S \* 1/2023 Kim ..... D12/173

OTHER PUBLICATIONS

Replacement 2015 Chevrolet Silverado 1500. 2015. CarParts.com. [https://www.carparts.com/details/Chevrolet/Silverado\\_1500/Replacement/Hood/2015/REPC130172.html?TID=gglpla&origin=&utm\\_source=google&utm\\_medium=pla&utm\\_campaign=9940501591&&gclid=Cj0KCQiAgaGgBhC8ARIsAA-AyLfETfTPBISNgep-ArFiwO4oMO3HSwXglB9Xz6wLF8TVe6.\\*](https://www.carparts.com/details/Chevrolet/Silverado_1500/Replacement/Hood/2015/REPC130172.html?TID=gglpla&origin=&utm_source=google&utm_medium=pla&utm_campaign=9940501591&&gclid=Cj0KCQiAgaGgBhC8ARIsAA-AyLfETfTPBISNgep-ArFiwO4oMO3HSwXglB9Xz6wLF8TVe6.*)  
 2003-2005 Chevy Silverado 1500\_2500. 2005. Jegs. [https://www.jegs.com/i/JEGS/555/78716/10002/-1#.\\*](https://www.jegs.com/i/JEGS/555/78716/10002/-1#.*)  
 2015-2022 Chevrolet Colorado Hood. 2015. Parts Geek, [https://www.partsgeek.com/k8bndgz-chevrolet-colorado-hood.html?utm\\_source=google&utm\\_medium=ff&utm\\_content=AYY&utm\\_campaign=PartsGeek+Google+Base&utm\\_term=2015-2022+Chevrolet+Colorado+Hood+Action+Crash+GM1230461+15-22+Chevrolet+Hood+2016+2019&fp=pp&gbm=a&cid=.\\*](https://www.partsgeek.com/k8bndgz-chevrolet-colorado-hood.html?utm_source=google&utm_medium=ff&utm_content=AYY&utm_campaign=PartsGeek+Google+Base&utm_term=2015-2022+Chevrolet+Colorado+Hood+Action+Crash+GM1230461+15-22+Chevrolet+Hood+2016+2019&fp=pp&gbm=a&cid=.*)

\* cited by examiner

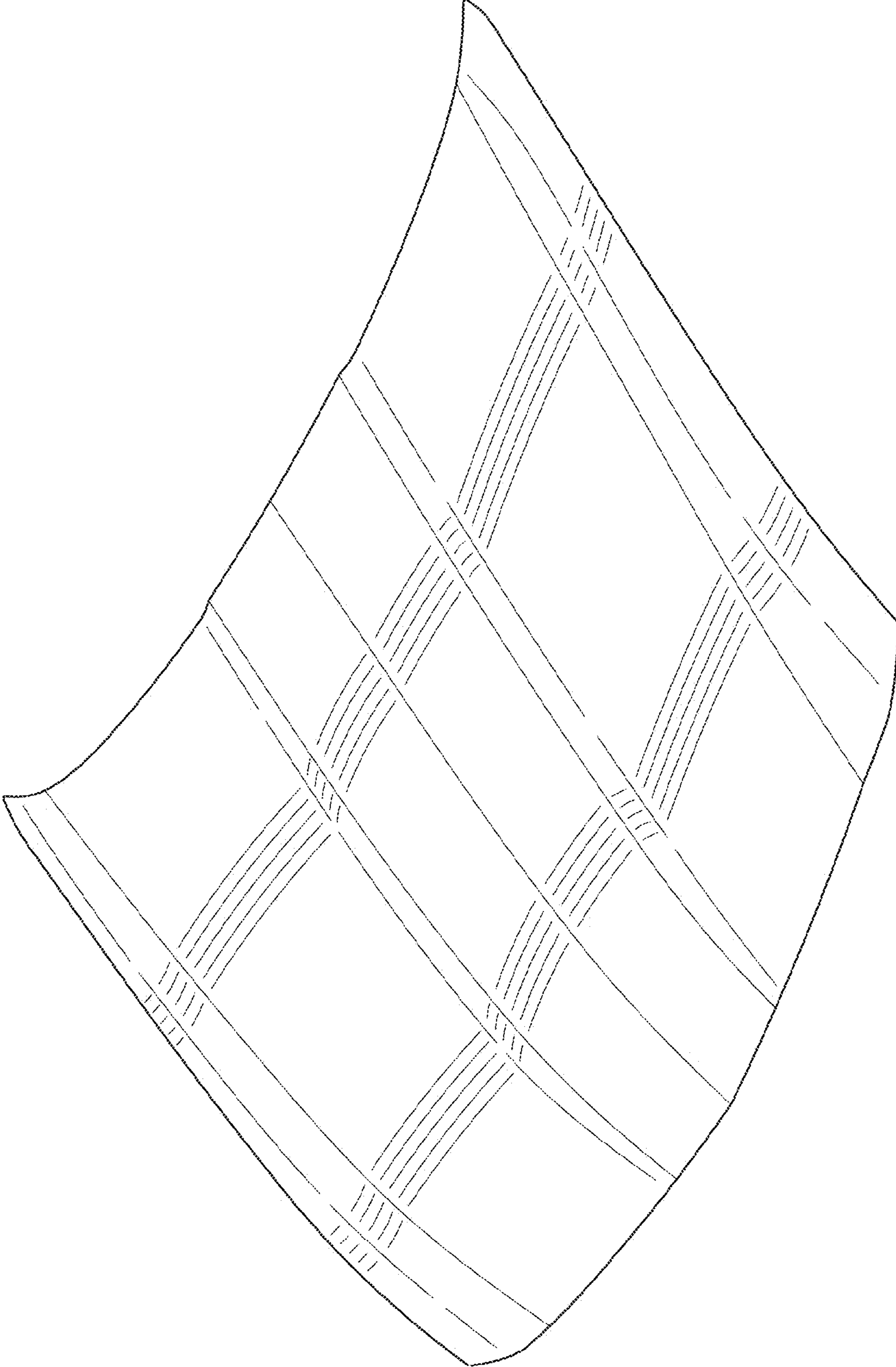


FIG. 1

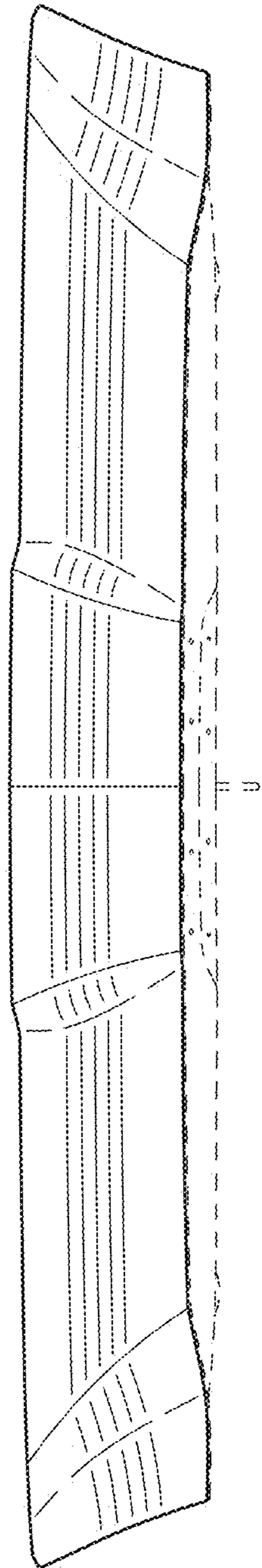


FIG. 2

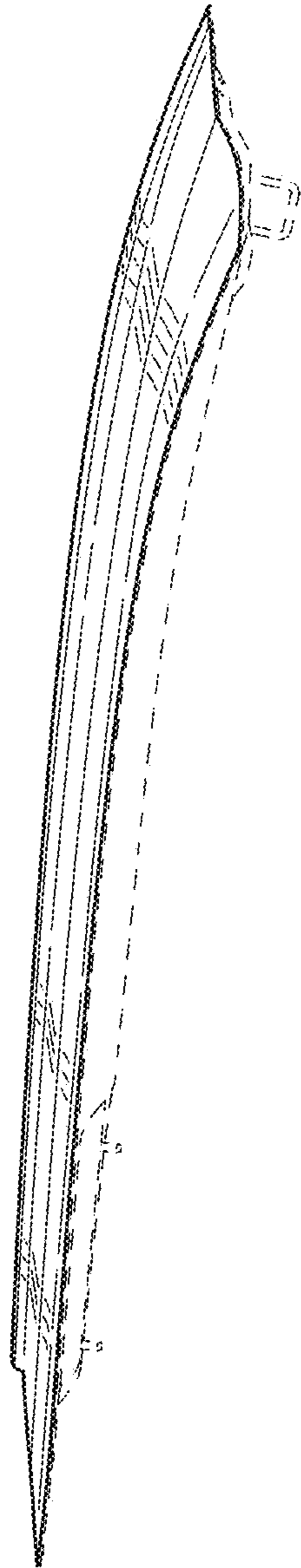


FIG. 3

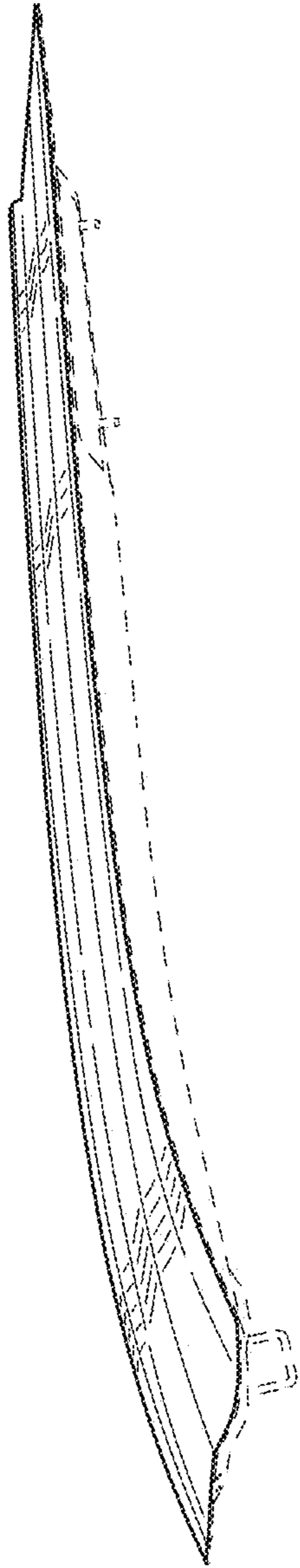


FIG. 4

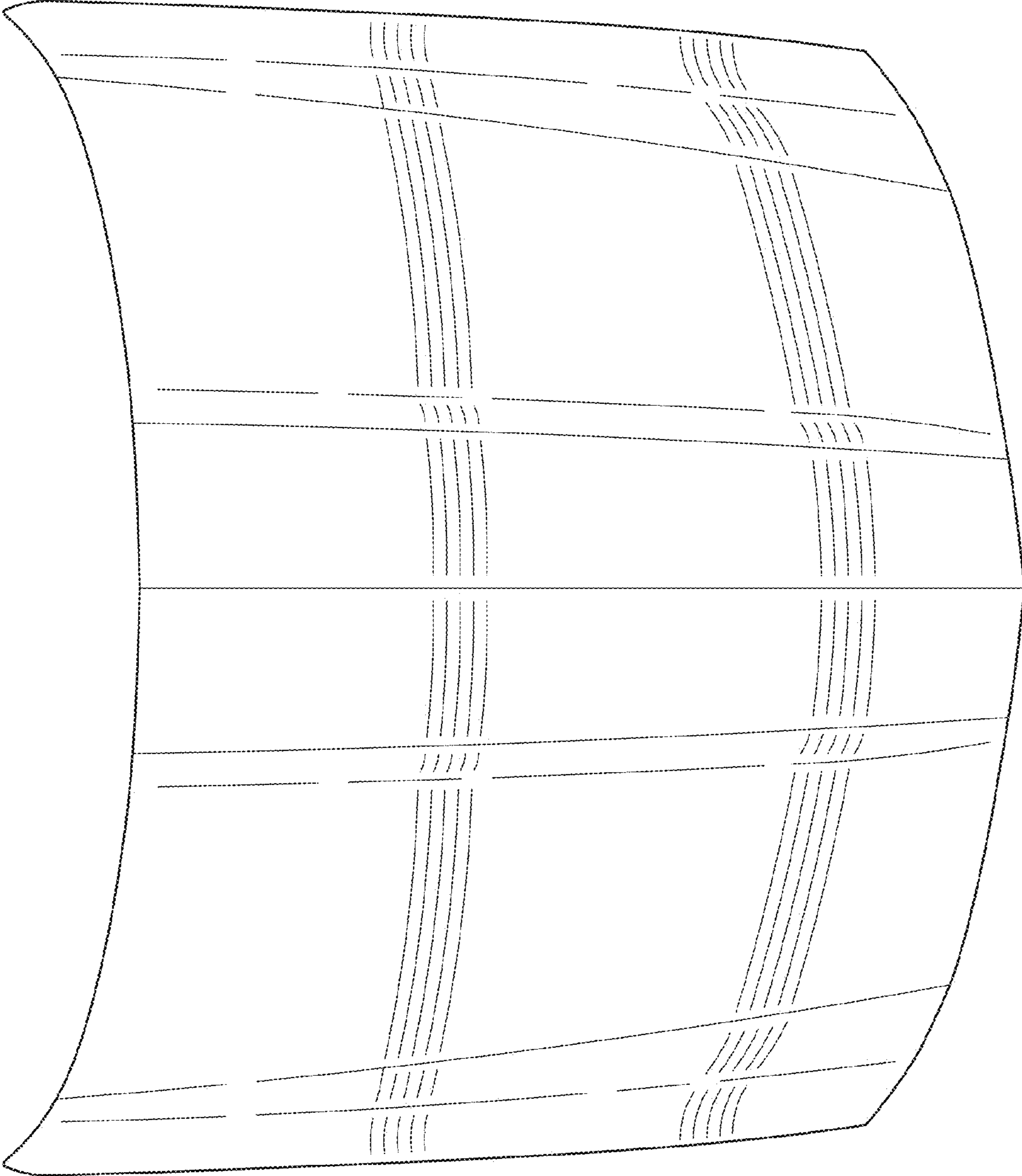


FIG. 5

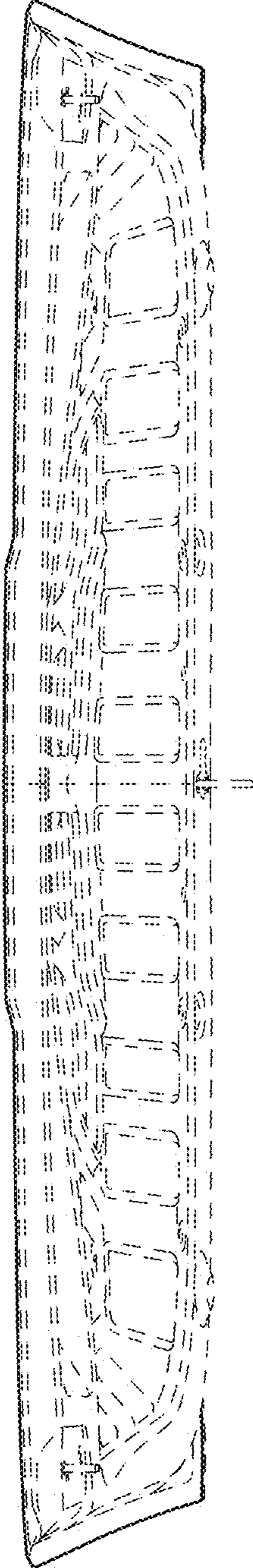


FIG. 6



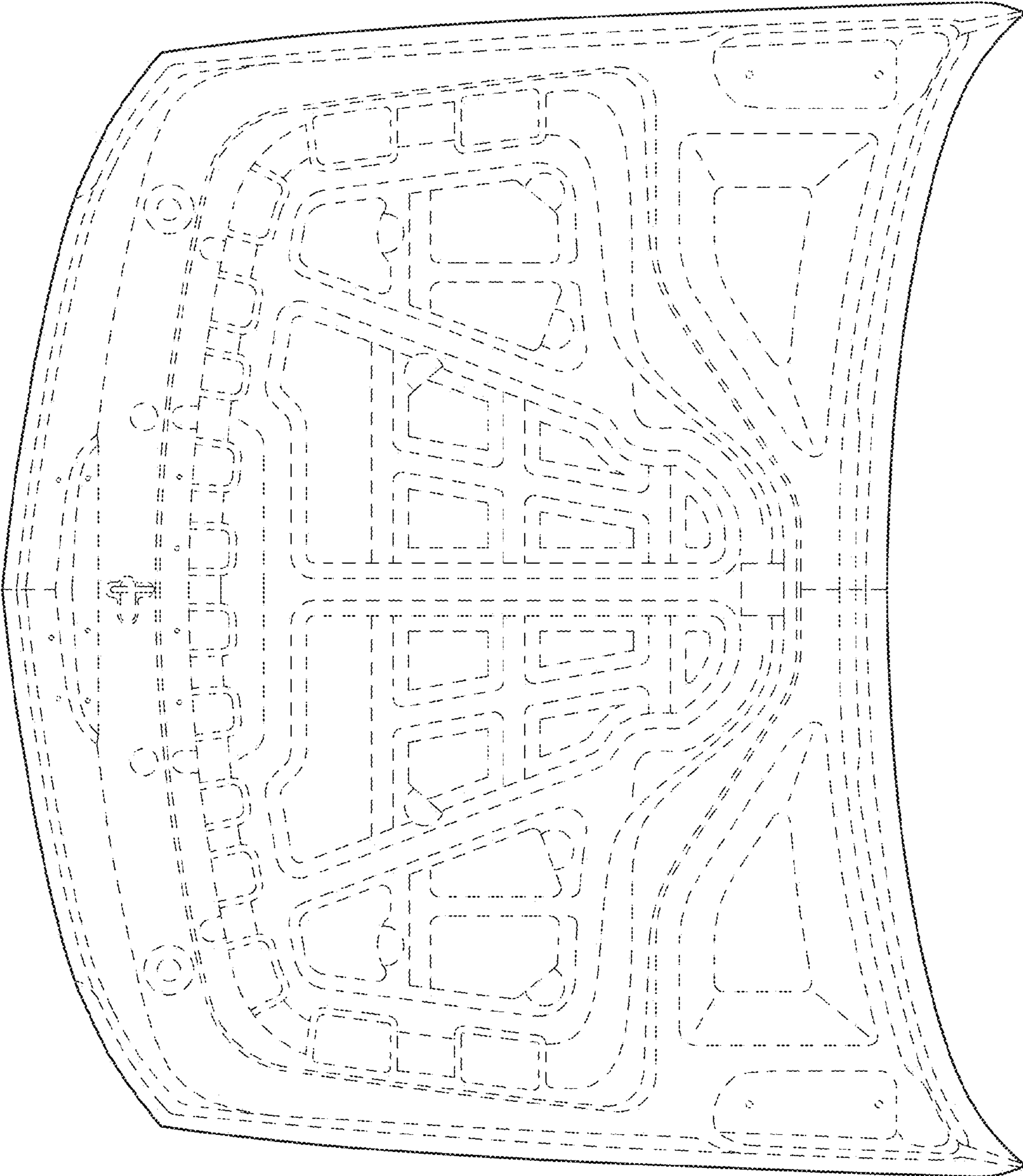


FIG. 7