



US00D987499S

(12) **United States Design Patent** (10) **Patent No.:** **US D987,499 S**
Murabayashi et al. (45) **Date of Patent:** **** May 30, 2023**

(54) **REAR BUMPER FOR AN AUTOMOBILE**

(71) Applicant: **Nissan Motor Co., Ltd.**, Kanagawa (JP)

(72) Inventors: **Kazunori Murabayashi**, Tokyo (JP); **Wookha Ryoo**, Kanagawa (JP)

(73) Assignee: **Nissan Motor Co., Ltd.**, Yokohama (JP)

(**) Term: **15 Years**

(21) Appl. No.: **29/747,732**

(22) Filed: **Aug. 25, 2020**

(30) **Foreign Application Priority Data**

Feb. 26, 2020 (JP) 2020-003644

(51) **LOC (14) Cl.** **12-16**

(52) **U.S. Cl.**
USPC **D12/169**

(58) **Field of Classification Search**
USPC D12/169, 196, 86, 90-92, 163, 190, 98,
D12/164; 293/102, 113, 115, 117, 120,
293/193.11; 296/180.1, 180.2
CPC B60R 19/02; B60R 19/04; B62D 25/08
See application file for complete search history.

(56) **References Cited**

U.S. PATENT DOCUMENTS

D561,070 S *	2/2008	Gresens	D12/169
D561,071 S *	2/2008	Golden	D12/169
D566,017 S *	4/2008	Pfeiffer	D12/169
D585,002 S *	1/2009	Tamura	D12/169
D592,570 S *	5/2009	Lamm	D12/169
D605,568 S *	12/2009	Ward	D12/169
D609,614 S *	2/2010	Okue	D12/169
D631,407 S *	1/2011	Kuze	D12/169
D640,613 S *	6/2011	Bauer	D12/169

D644,573 S *	9/2011	Bauer	D12/169
D644,578 S *	9/2011	Messale	D12/169
D653,593 S *	2/2012	Nishihama	D12/169
D675,140 S *	1/2013	Ohkoshi	D12/169
D683,282 S *	5/2013	Fuchigami	D12/169
D683,285 S *	5/2013	Yoshida	D12/169
D769,780 S *	10/2016	Lesnik	D12/164
D819,523 S *	6/2018	Yamamoto	D12/169
D833,330 S *	11/2018	Sakai	D12/91
D838,638 S *	1/2019	Wada	D12/169
D854,982 S *	7/2019	Horie	D12/169
D854,983 S *	7/2019	Katou	D12/169
D856,208 S *	8/2019	Takahashi	D12/169
D864,803 S *	10/2019	Sakai	D12/169
D886,003 S *	6/2020	Kusunoki	D12/169

(Continued)

Primary Examiner — Melody N Brown

(74) *Attorney, Agent, or Firm* — Global IP Counselors, LLP

(57) **CLAIM**

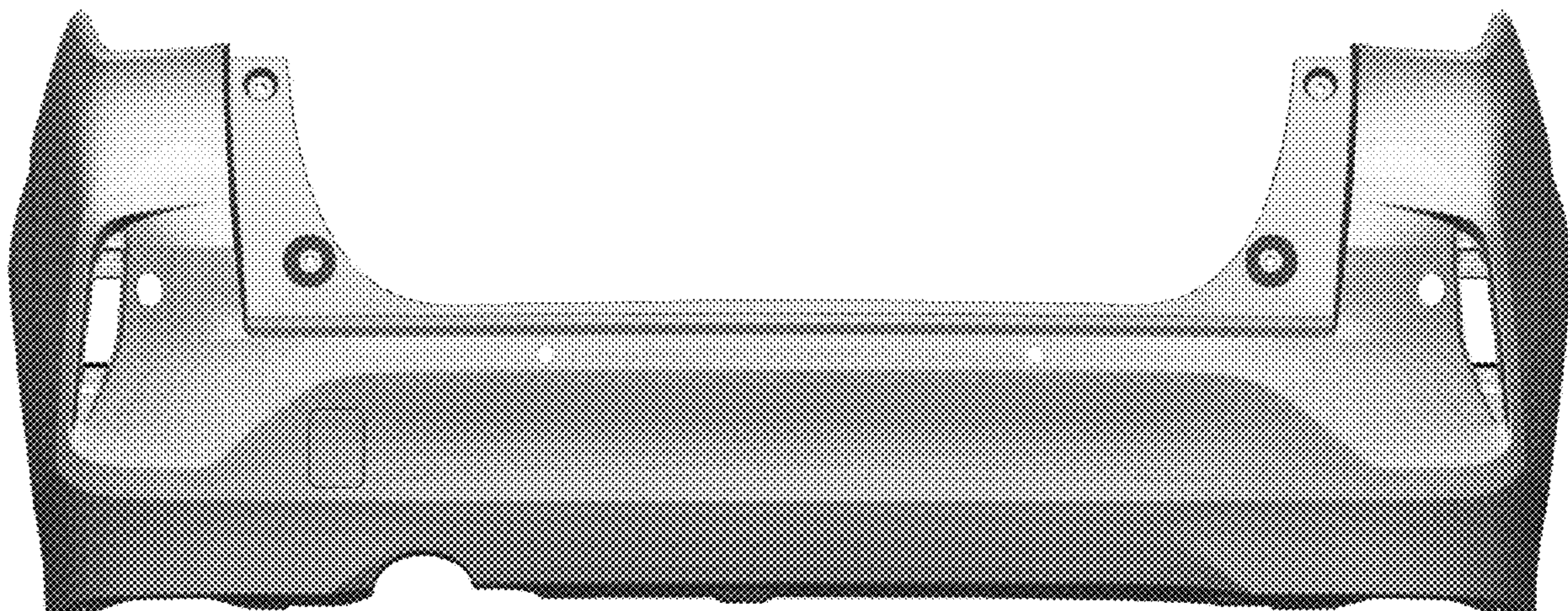
The ornamental design for a rear bumper for an automobile, as shown and described.

DESCRIPTION

FIG. 1 is a front elevational view of a rear bumper for an automobile showing my new design;
FIG. 2 is a top plan view thereof;
FIG. 3 is a bottom plan view thereof;
FIG. 4 is a left side elevational view thereof;
FIG. 5 is a right side elevational view thereof;
FIG. 6 is a top, front and right side perspective view thereof; and,
FIG. 7 is a bottom, front and left side perspective view thereof.

The rear view of the rear bumper forms no part of the claimed design. The inside surfaces of the rear bumper, shown in broken lines in FIGS. 2 and 7, form no part of the claimed design since the inside surfaces are hidden when the rear bumper is mounted to the automobile.

1 Claim, 7 Drawing Sheets



(56)

References Cited

U.S. PATENT DOCUMENTS

D887,914	S	*	6/2020	Utsunomiya	D12/169
D904,248	S	*	12/2020	Katou	D12/169
D904,249	S	*	12/2020	Bischoff	D12/169
D904,941	S	*	12/2020	Utsunomiya	D12/169
D913,876	S	*	3/2021	Bischoff	D12/169
D934,134	S	*	10/2021	Giumentaro	D12/169
D934,751	S	*	11/2021	Taubert	D12/169
D934,754	S	*	11/2021	Minamiyama	D12/169
D935,357	S	*	11/2021	Akay	D12/169
D935,955	S	*	11/2021	Hayashi	D12/169
D938,322	S	*	12/2021	Hirai	D12/169
D938,867	S	*	12/2021	Becker	D12/169
D958,018	S	*	7/2022	Murabayashi	D12/169
D958,024	S	*	7/2022	Nakagawa	D12/169
D958,026	S	*	7/2022	Nakagawa	D12/169
D972,467	S	*	12/2022	Ni	D12/169
D972,988	S	*	12/2022	Okamoto	D12/169
D974,248	S	*	1/2023	Pena	D12/169

* cited by examiner

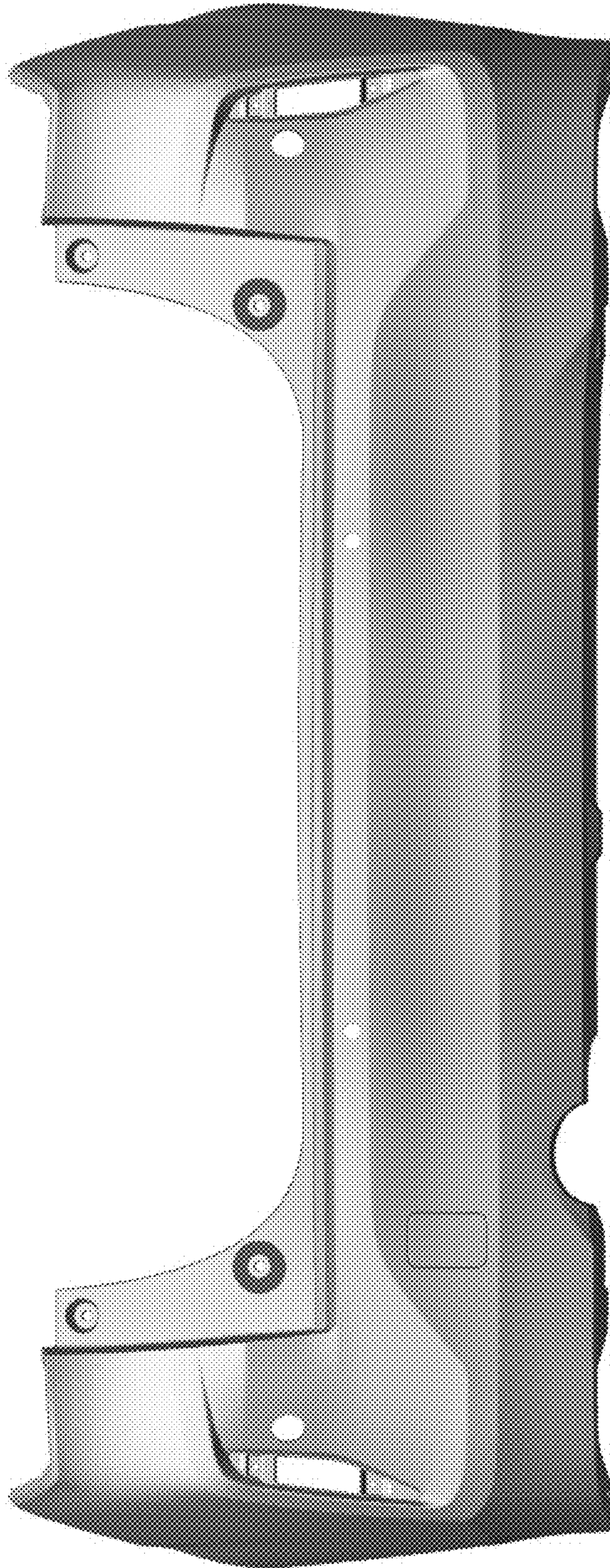


FIG. 1

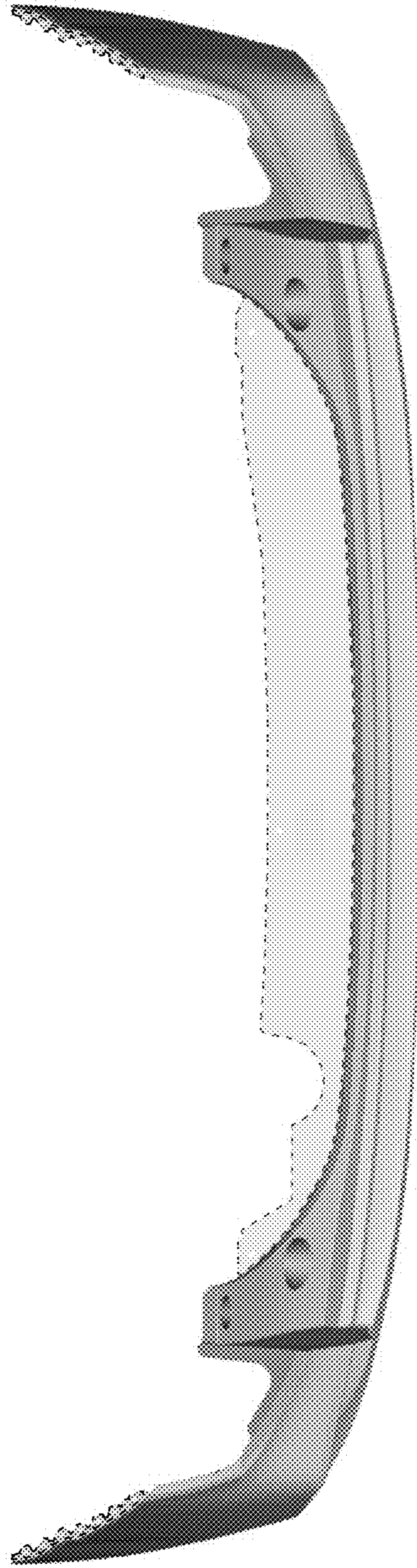


FIG. 2

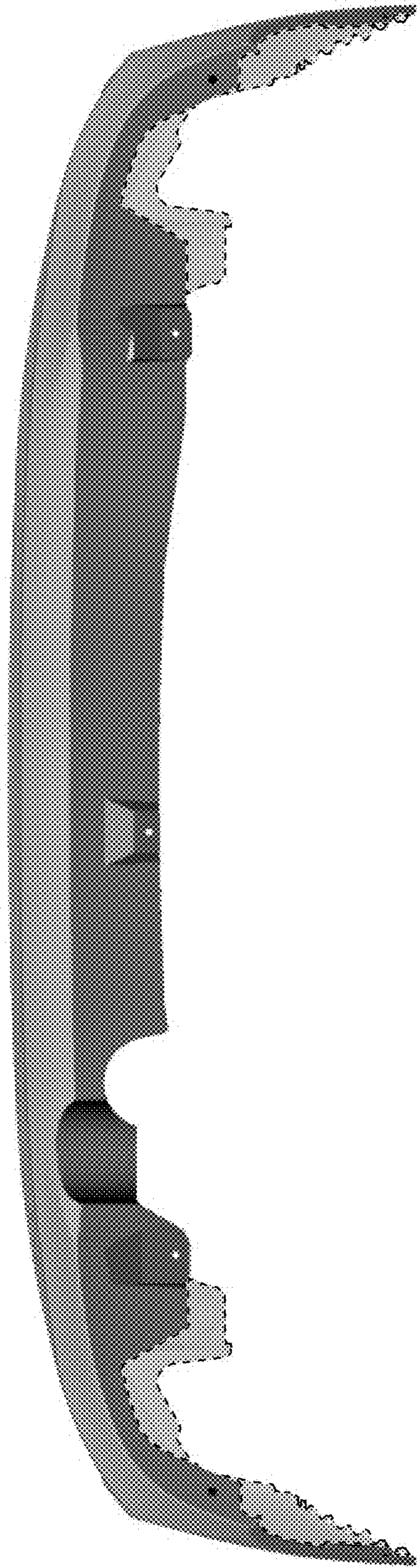


FIG. 3

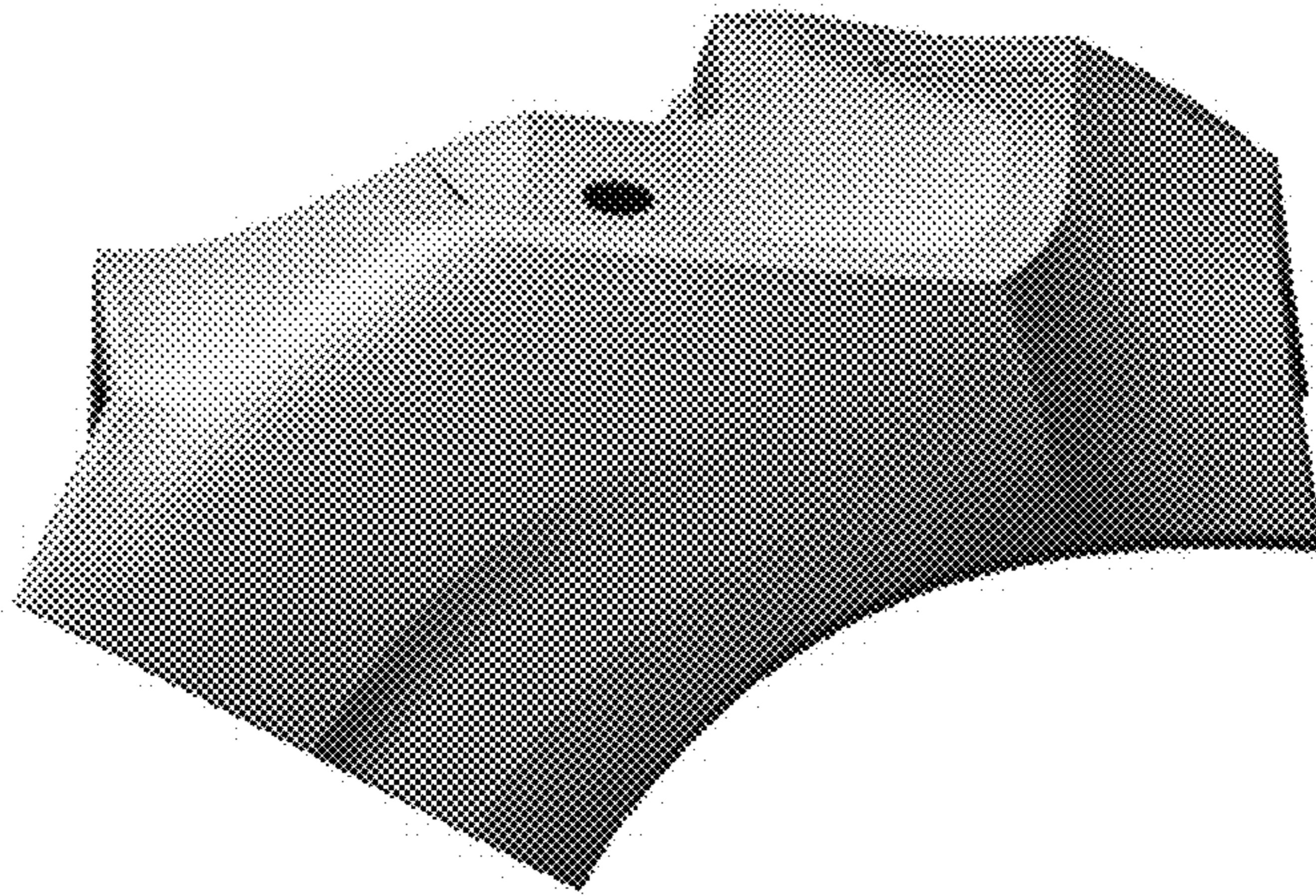


FIG. 4

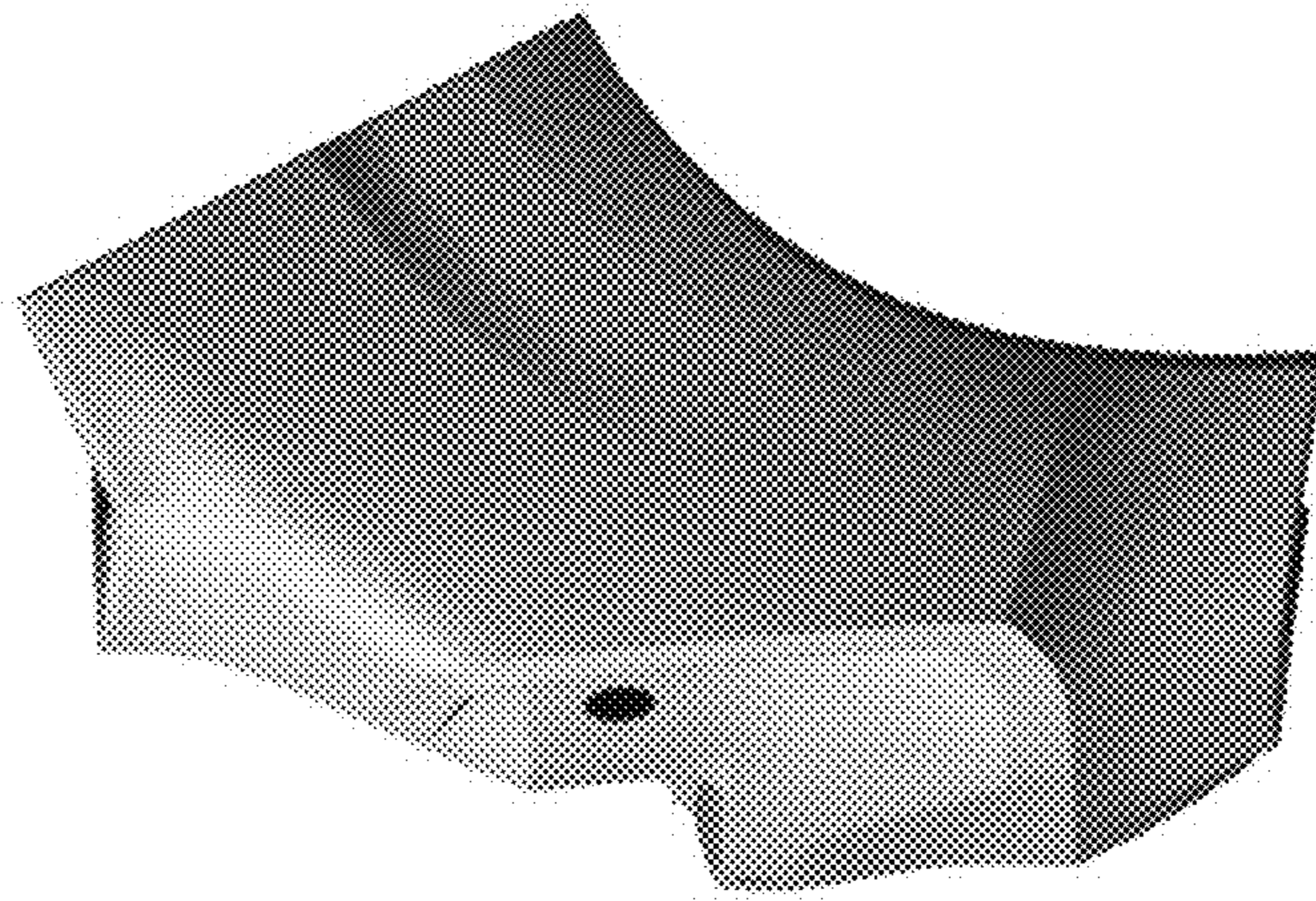


FIG. 5



FIG. 6

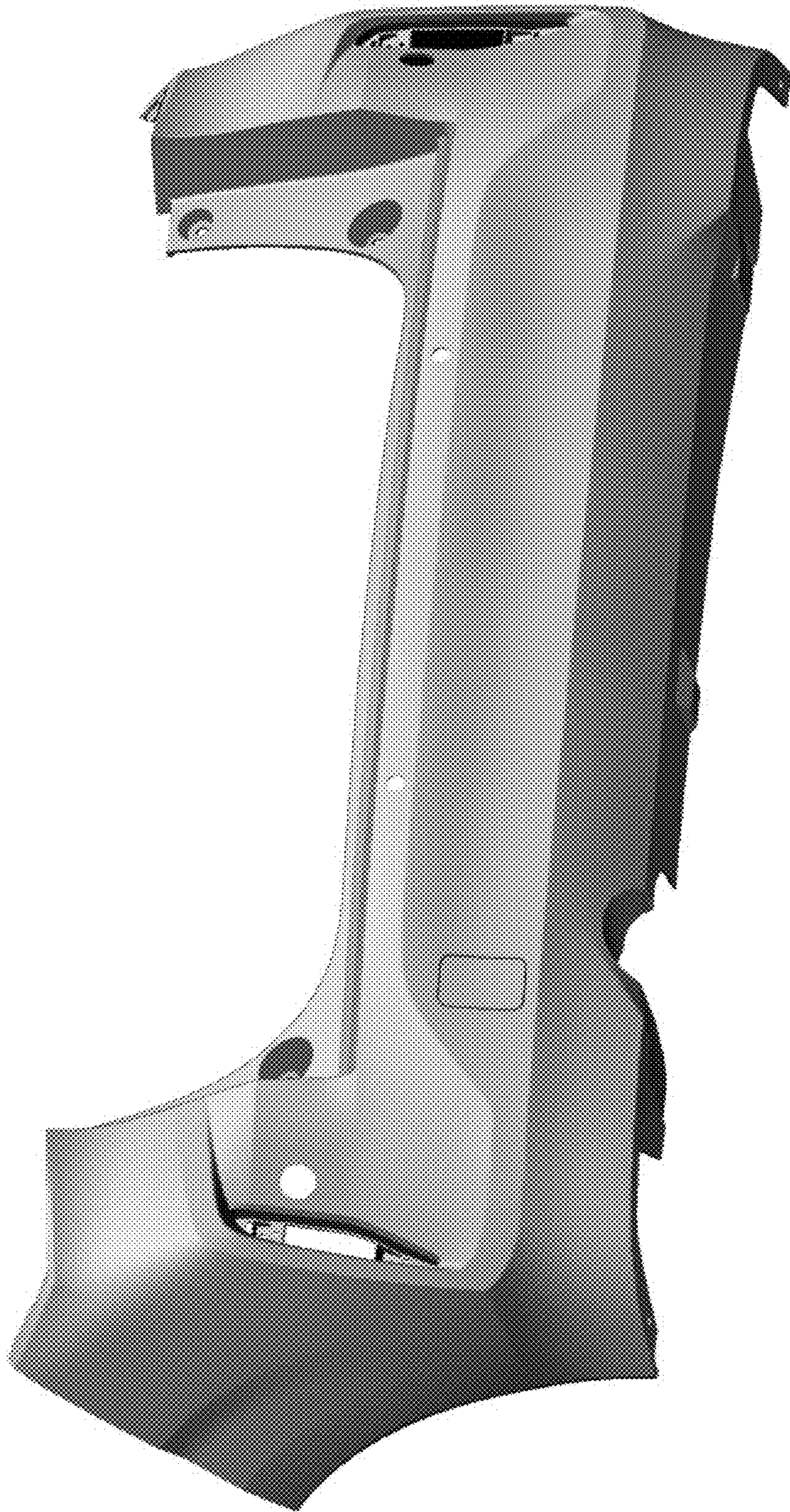


FIG. 7