



US00D987498S

(12) **United States Design Patent** (10) **Patent No.:** **US D987,498 S**  
**Jung** (45) **Date of Patent:** **\*\* May 30, 2023**

(54) **AUTOMOTIVE BUMPER GUARD**

FOREIGN PATENT DOCUMENTS

(71) Applicant: **Motorbox, Inc.**, Carson, CA (US)

WO WO D081220-025 \* 6/2013

(72) Inventor: **Yong Baik Jung**, Rolling Hills Estates, CA (US)

OTHER PUBLICATIONS

(73) Assignee: **MOTORBOX, INC.**, Carson, CA (US)

Amazon.com, Gold Edition Bumper Bully Extreme, published Oct. 17, 2007 [retrieved Jan. 6, 2023]. Retrieved from the internet<https://www.amazon.com/dp/B000XEBI9K> (Year: 2007).\*

(\*\*) Term: **15 Years**

Amazon.com, Bumper Badger HD Edition, published May 27, 2015 [retrieved Jan. 6, 2023]. Retrieved from the internet<https://www.amazon.com/dp/B00YDDPH26> (Year: 2015).\*

(21) Appl. No.: **29/787,946**

\* cited by examiner

(22) Filed: **Jun. 9, 2021**

(51) **LOC (14) Cl.** ..... **12-16**

*Primary Examiner* — Joseph Kukella

(52) **U.S. Cl.**

*Assistant Examiner* — Lavon M. Amerson

USPC ..... **D12/167**

(74) *Attorney, Agent, or Firm* — Ahn IP Law

(58) **Field of Classification Search**

USPC ..... D12/86, 90, 167, 169, 196, 171, 216,  
D12/406, 408; D21/424, 433

CPC ..... B60R 19/02; B60R 19/18; B60R 19/24;  
B60R 19/56; B60R 2019/007

See application file for complete search history.

(57) **CLAIM**

The ornamental design for an automotive bumper guard, as shown and described.

(56) **References Cited**

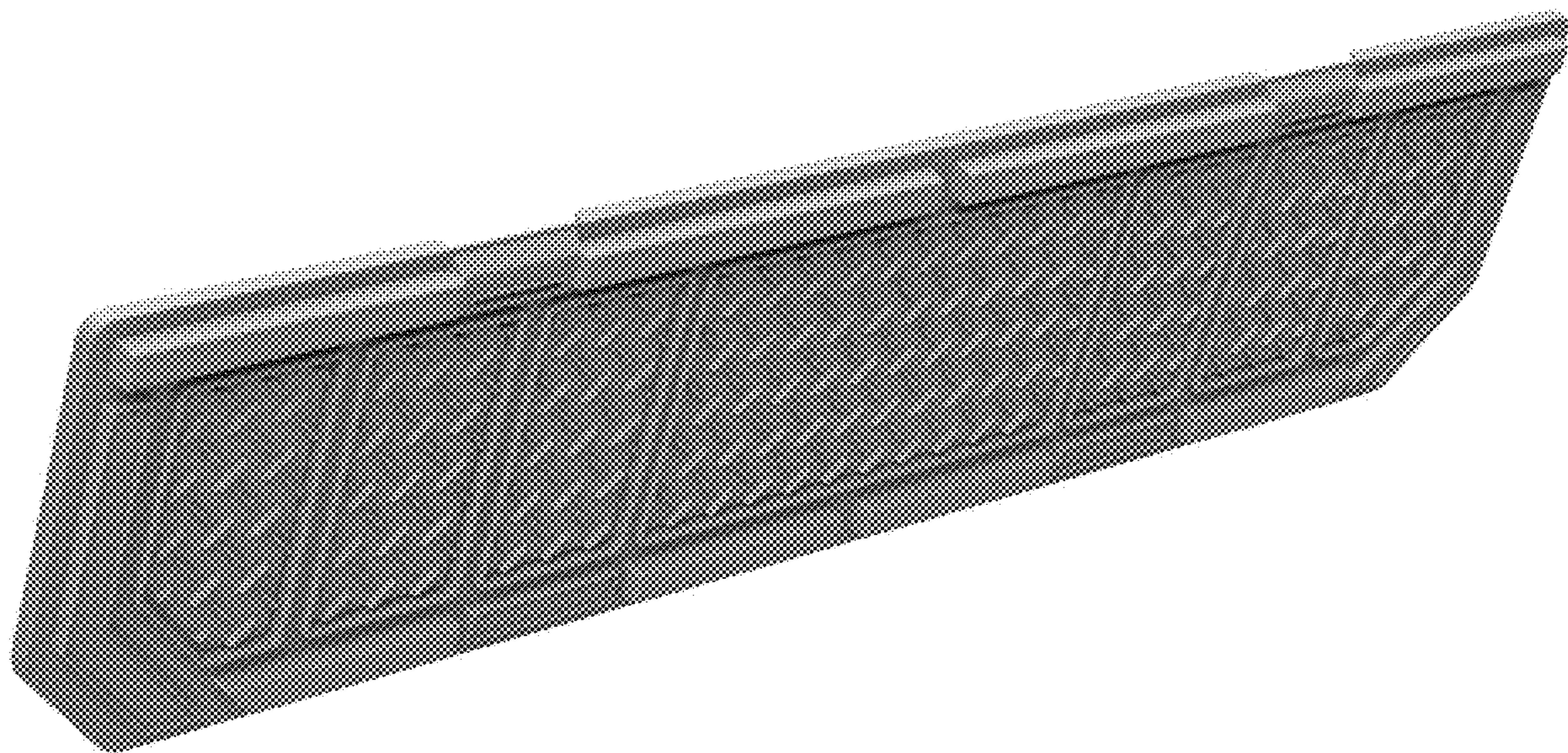
U.S. PATENT DOCUMENTS

**DESCRIPTION**

6,572,163	B1	6/2003	Pickett	
D508,222	S *	8/2005	Tekavec	D12/167
7,090,266	B1	8/2006	Price	
D617,259	S	6/2010	Malina et al.	
7,866,715	B2	1/2011	Malina et al.	
8,047,601	B2	11/2011	Malina et al.	
D756,858	S *	5/2016	Malina	D12/167
D756,859	S *	5/2016	Malina	D12/167
D807,247	S *	1/2018	Malina	D12/167
D811,966	S *	3/2018	Platto	D12/172
D950,434	S *	5/2022	Hrevnack	B60R 19/44 D12/167
2010/0276951	A1 *	11/2010	Malina	B60R 19/44 293/142

FIG. 1 is a perspective front view of an automotive bumper guard, showing my new design;  
FIG. 2 is a perspective rear view thereof;  
FIG. 3 is a front view thereof;  
FIG. 4 is a rear view thereof;  
FIG. 5 is an overhead view thereof;  
FIG. 6 is an underneath view thereof;  
FIG. 7 is a left side view thereof; and,  
FIG. 8 is a right side view thereof.

**1 Claim, 8 Drawing Sheets**



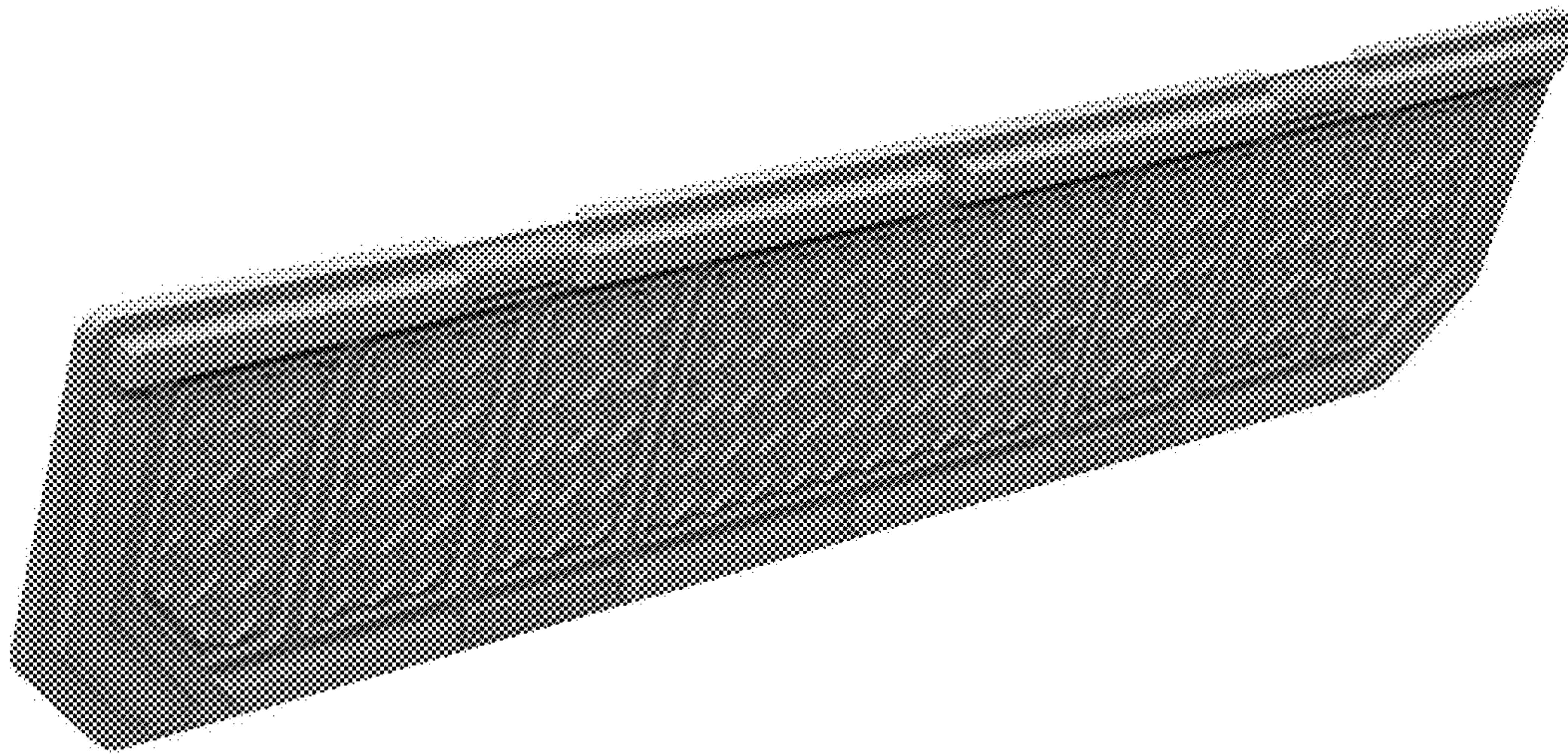


FIG. 1

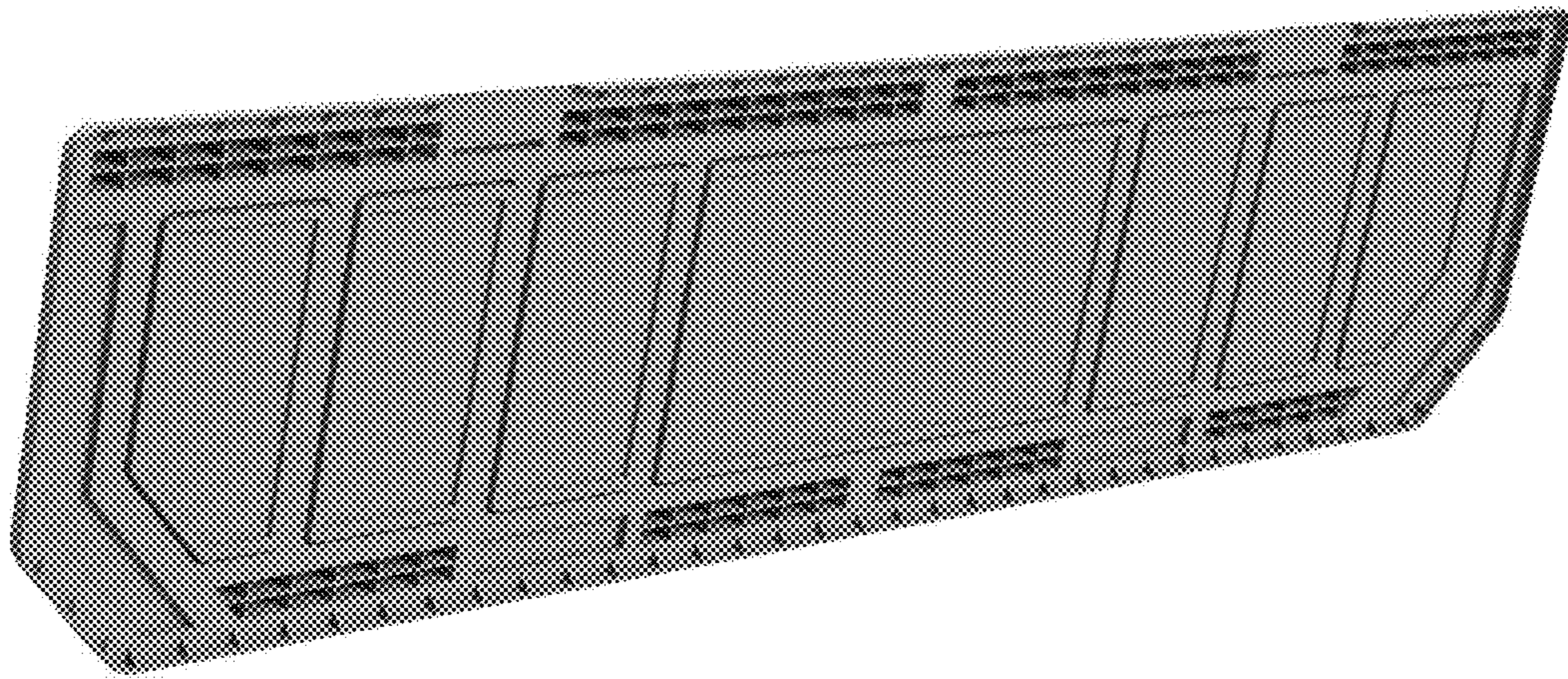


FIG. 2

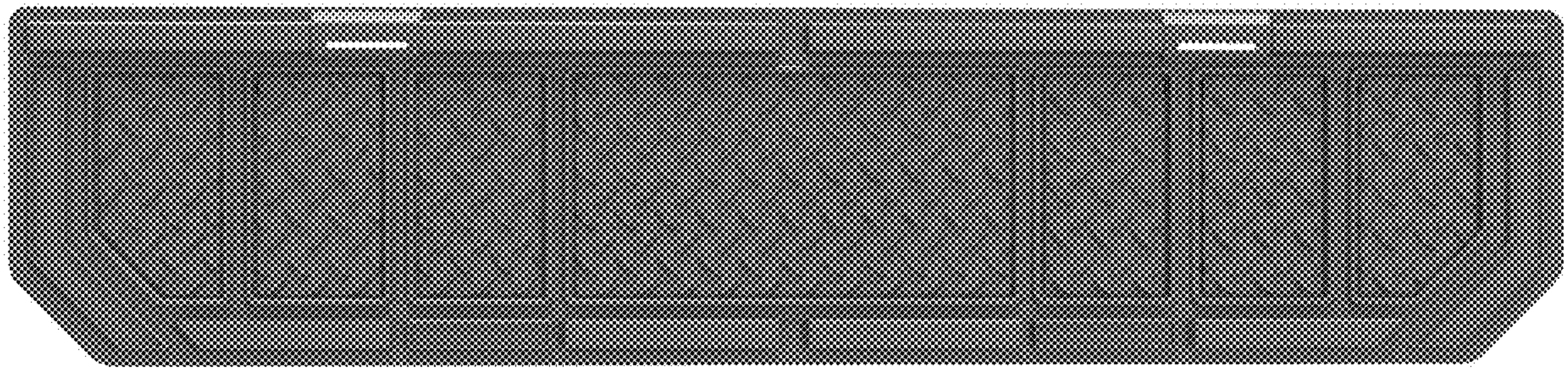


FIG. 3

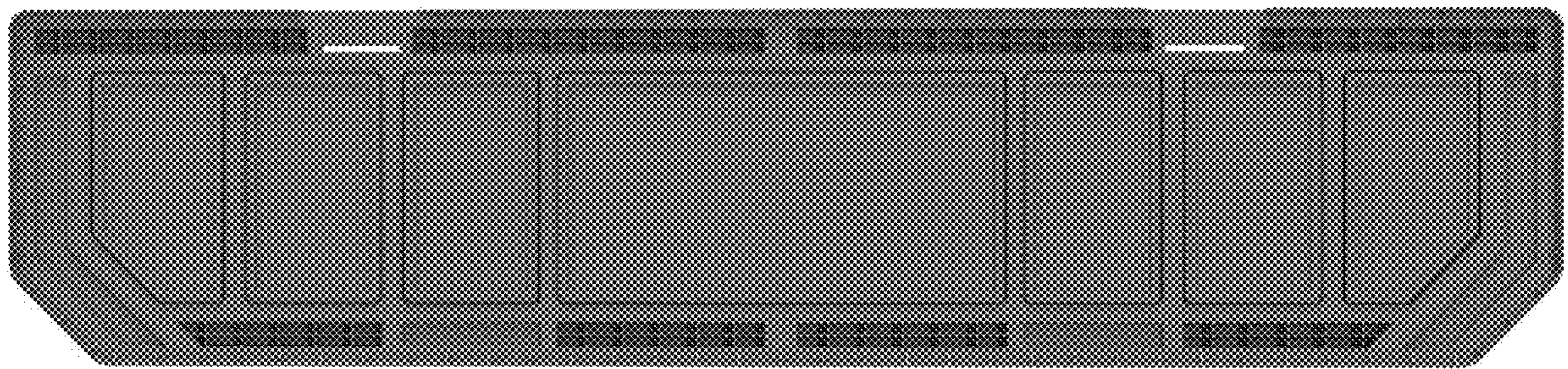


FIG. 4



FIG. 5



FIG. 6

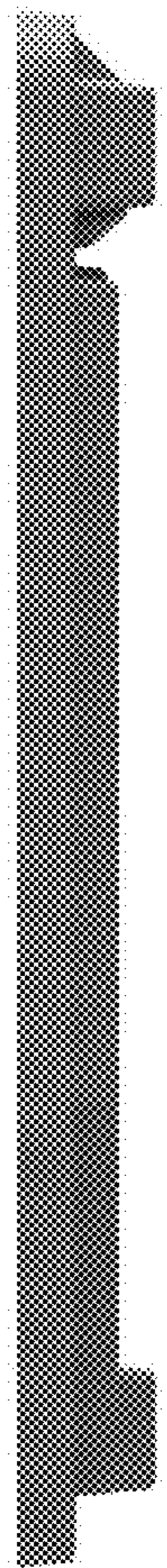


FIG. 7



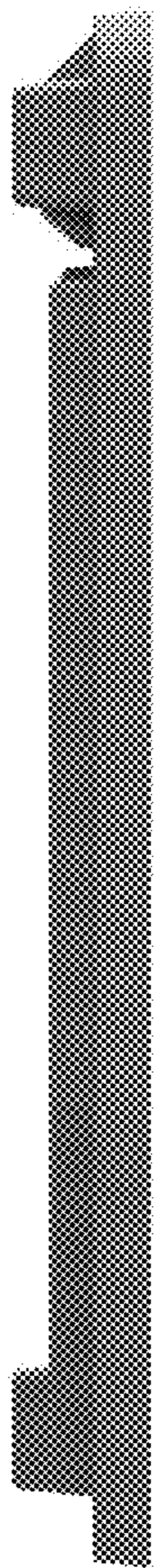


FIG. 8